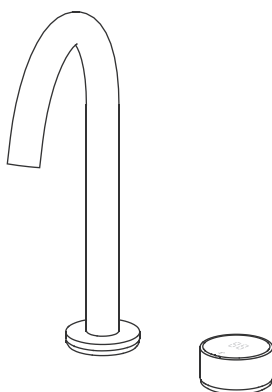


AXENT
SWITZERLAND



AXENT.ZERO
2-HOLE BASIN MIXER 240 TOUCH

F40.0224.01X0.0

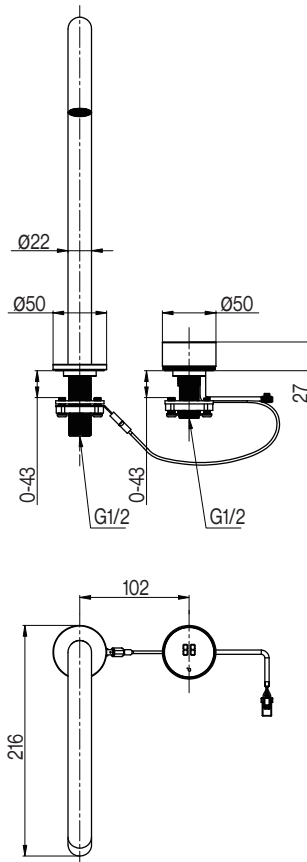
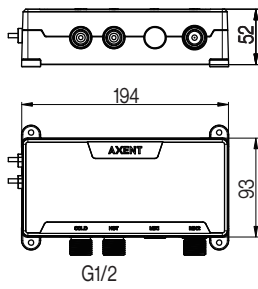
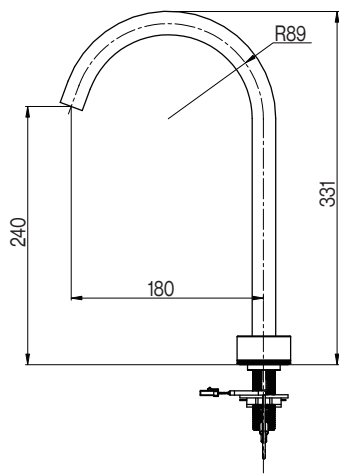
INSTALLATION INSTRUCTION

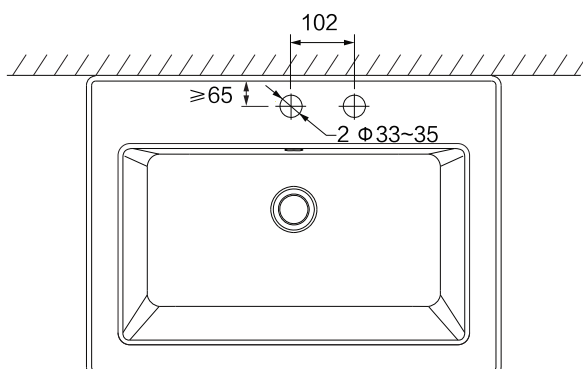
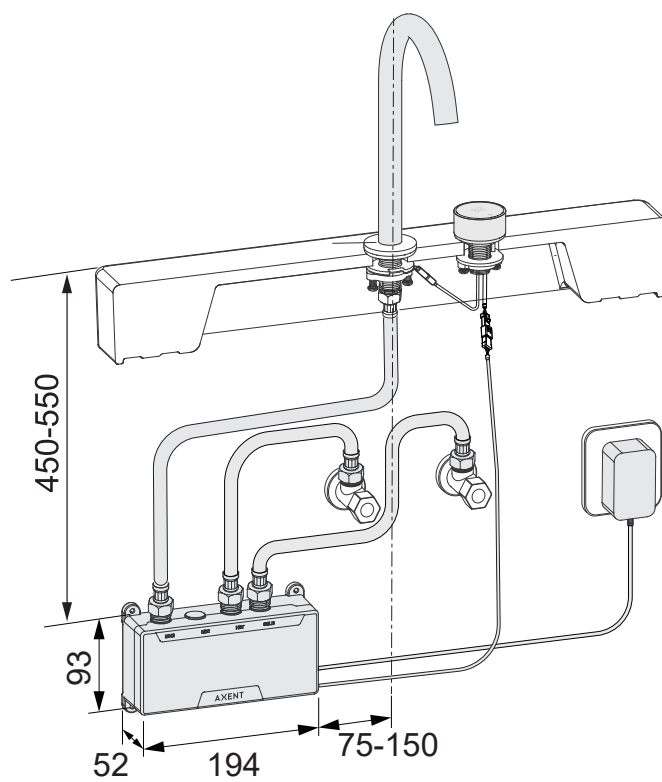


DANGER

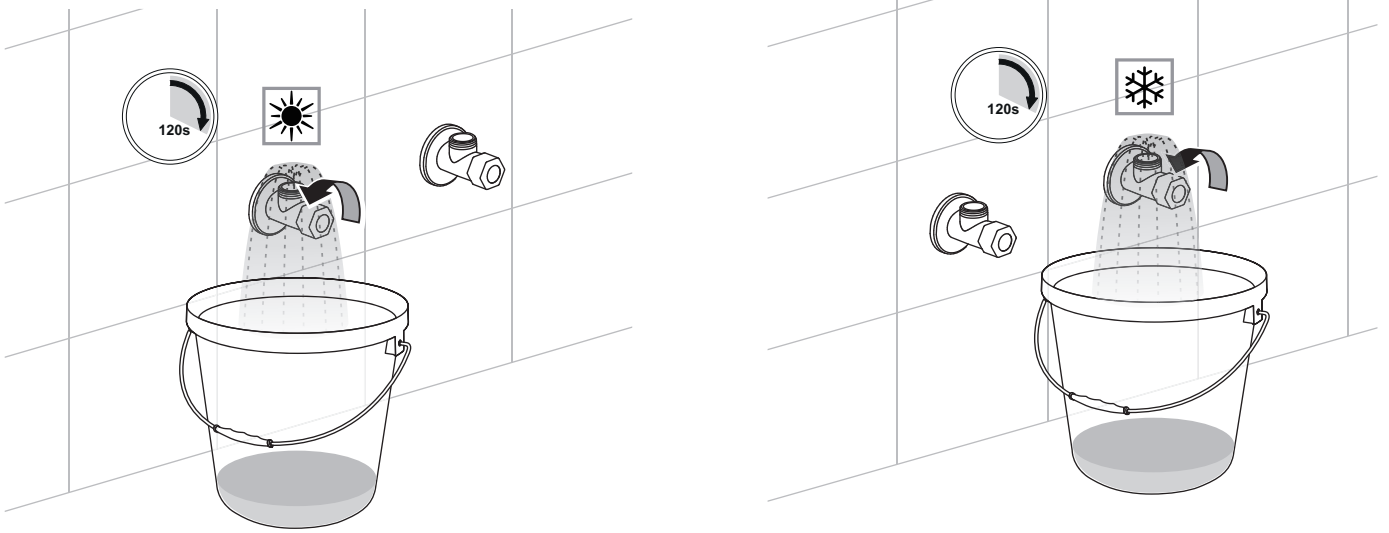
Electric shock hazard

The device may only be operated at power outlets or fixed connections with protective earthing.

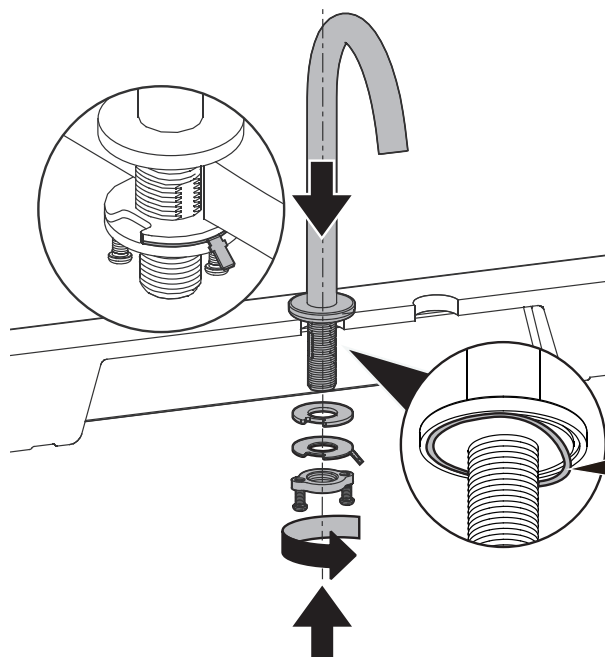




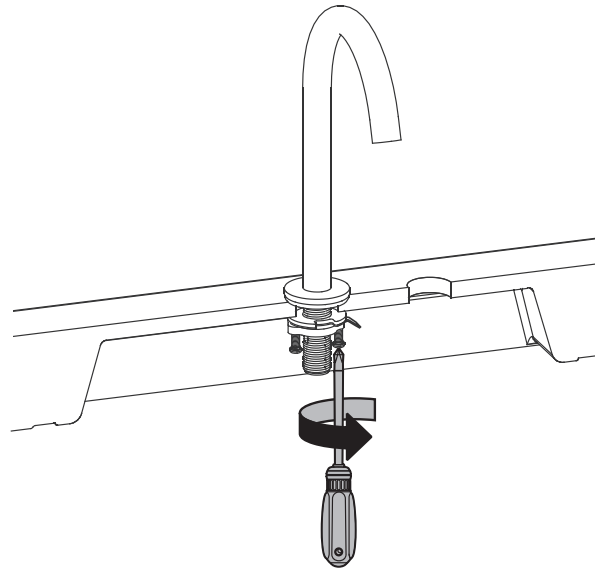
1



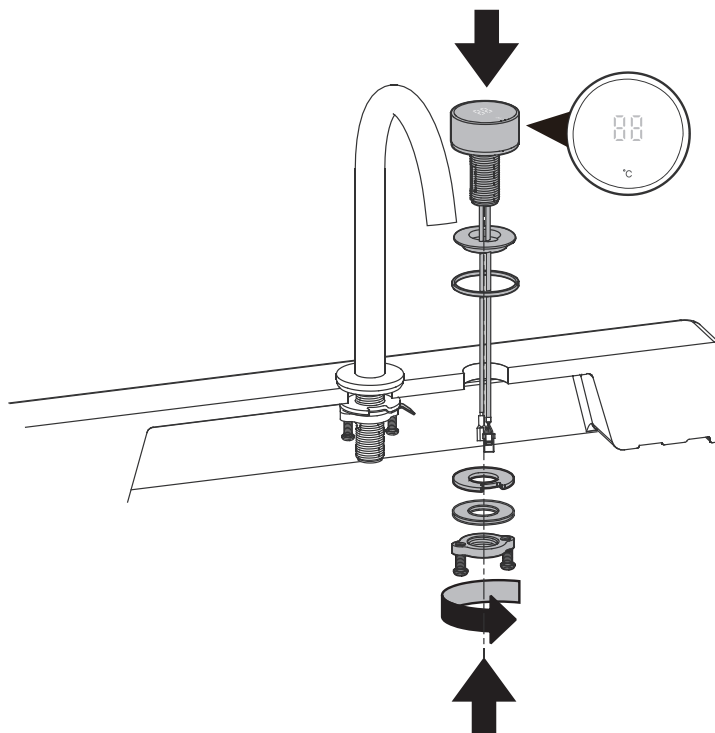
2



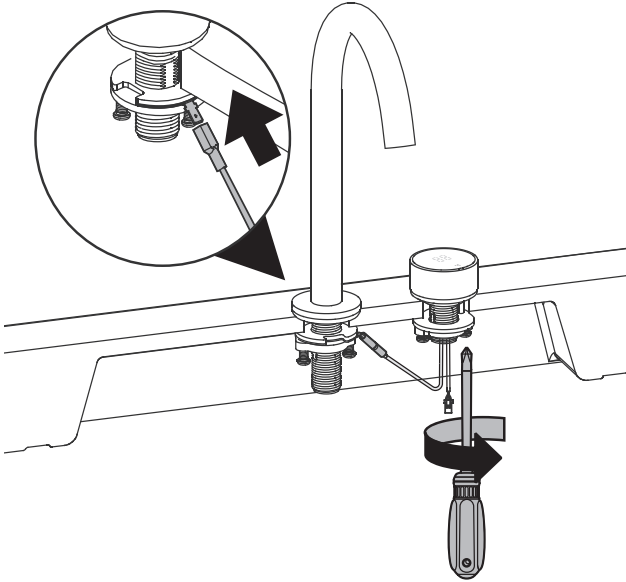
3



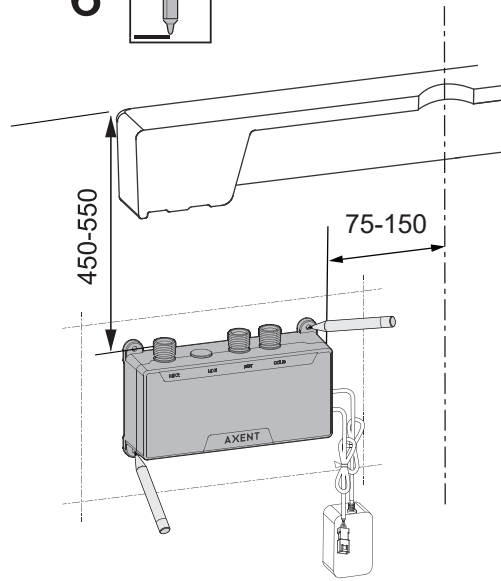
4



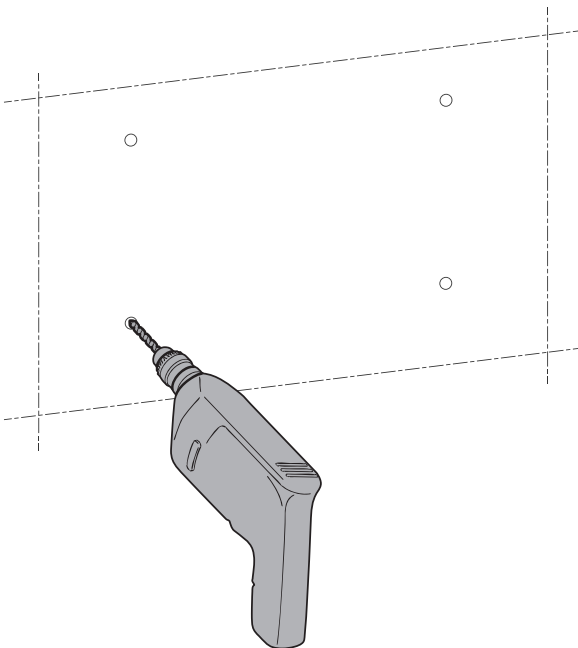
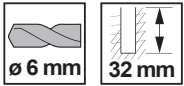
5



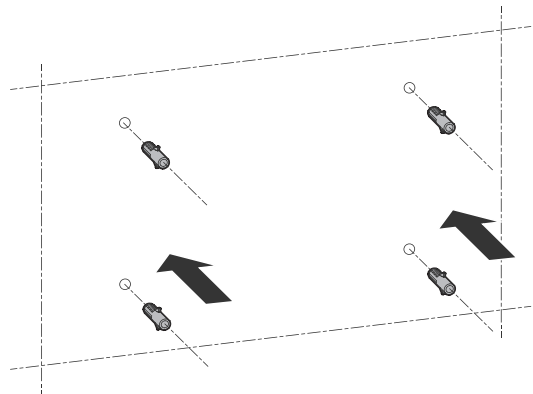
6



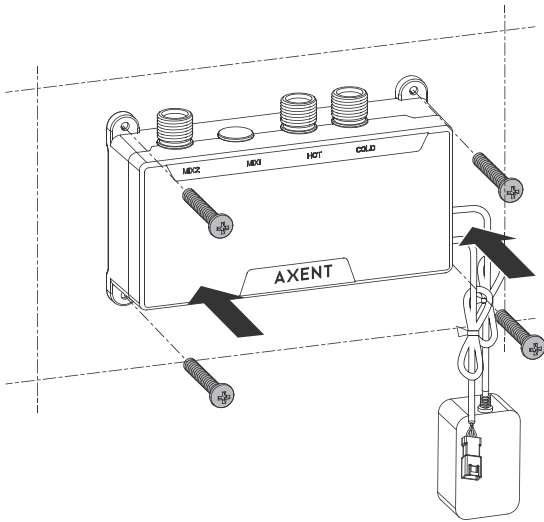
7



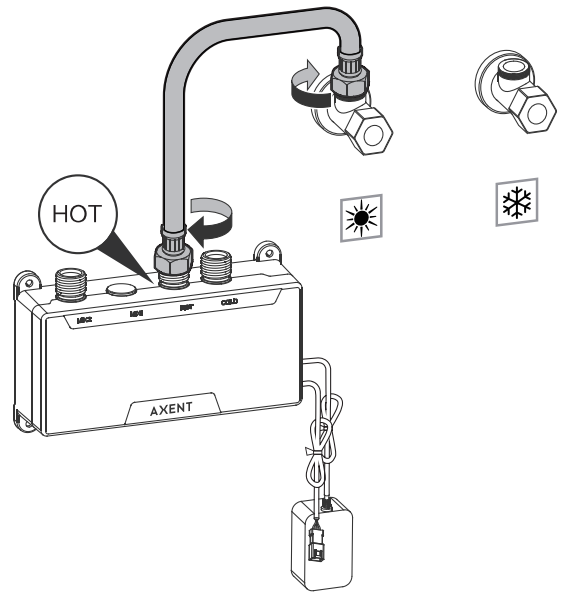
8



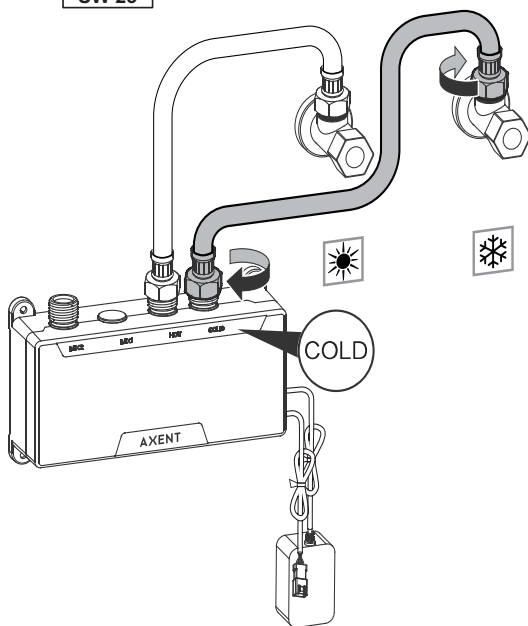
9



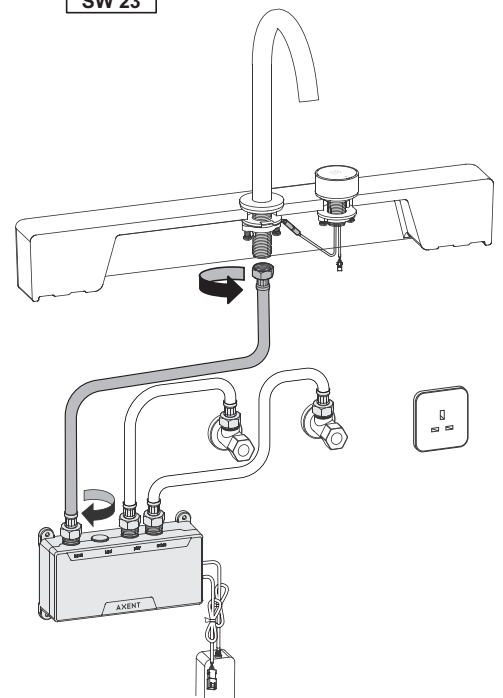
10



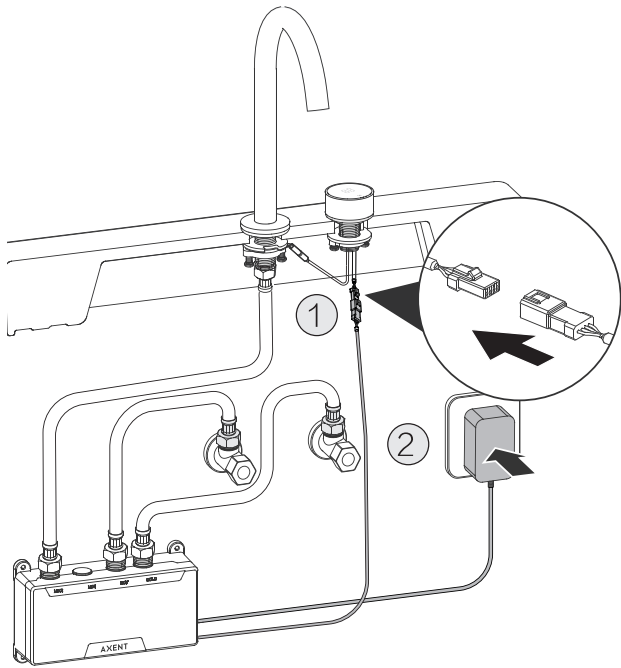
11



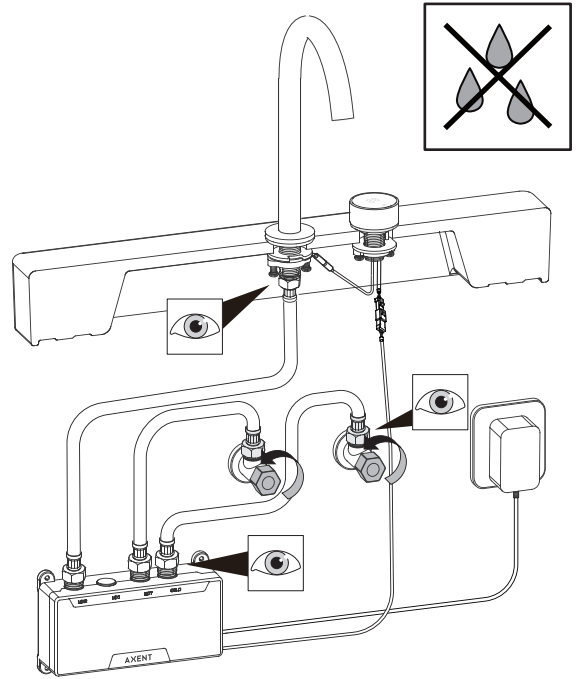
12



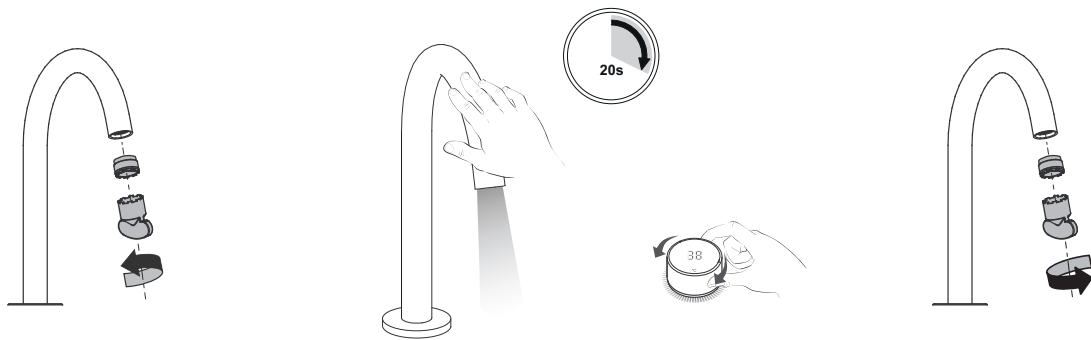
13



14



15



AXENT International AG

info@axentbath.ch
www.axentbath.ch