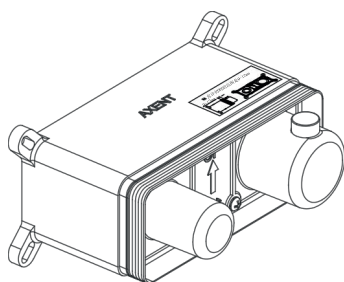


AXENT
SWITZERLAND



AXENT.ZERO
CONCEALED BASIN MIXER TOUCH

Pre-installation F40.0412.01X1.3

INSTALLATION INSTRUCTION

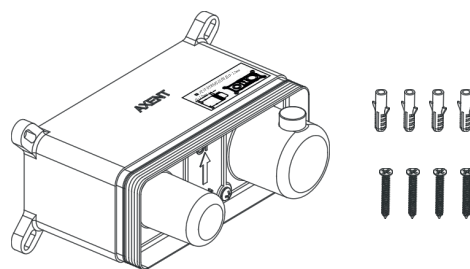
STANDARD SPECIFICATIONS

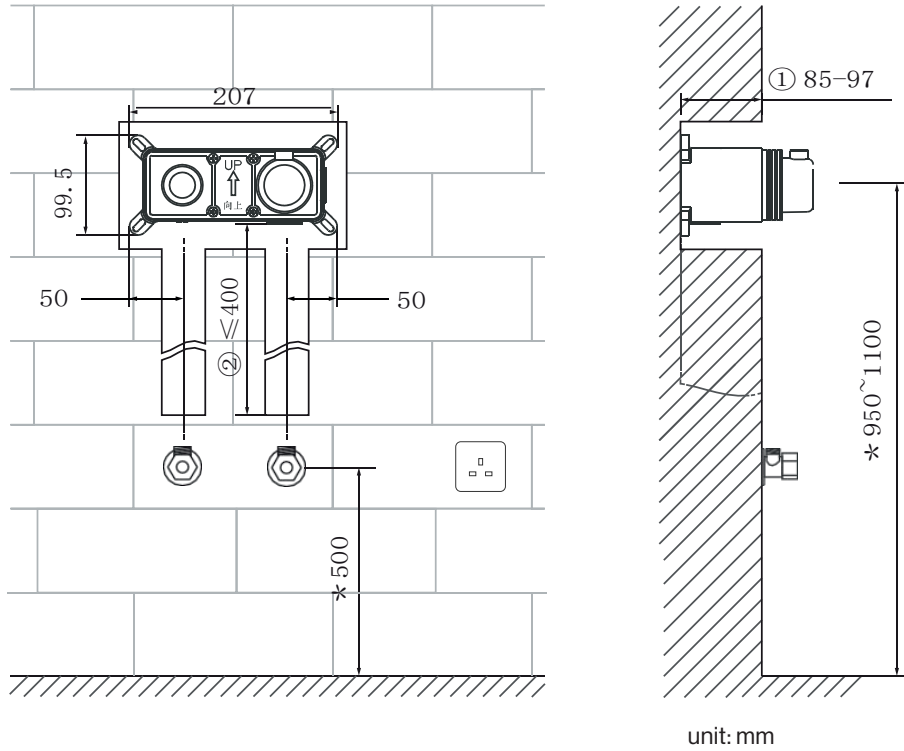
Recommended operational pressure 1-5 bar
Maximum test pressure16 bar
Maximum hot water temperature 80 °C
Recommended temperature..... 50-60 °C
Pressure difference between hot and cold watermax. 1,5 bar
We suggest to install water filters at the beginning of the installation



Warning

- If the above mentioned conditions are not observed, the product may not correctly work or not work at all.
- If during installation, before setting the product on the sanitary fittings, faults due to the special finishing are evident you may require the replacement of the tap.

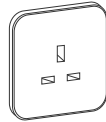
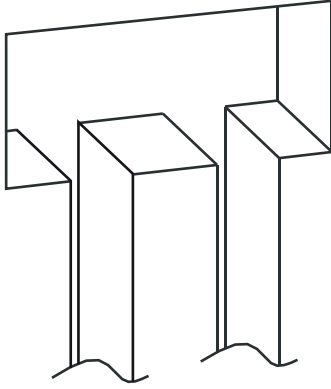




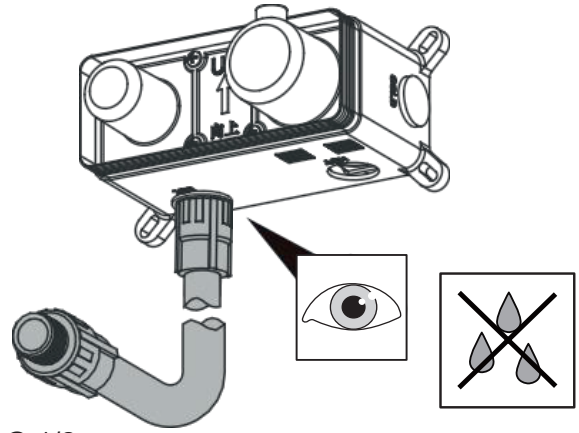
unit: mm

- ① Includes wall decoration (such as ceramic tile, etc.)
- ② (2) to ensure that the temperature control box of convenient installation, please make sure that the length of embedded pipe < 400
- * * for advice or less height range

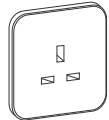
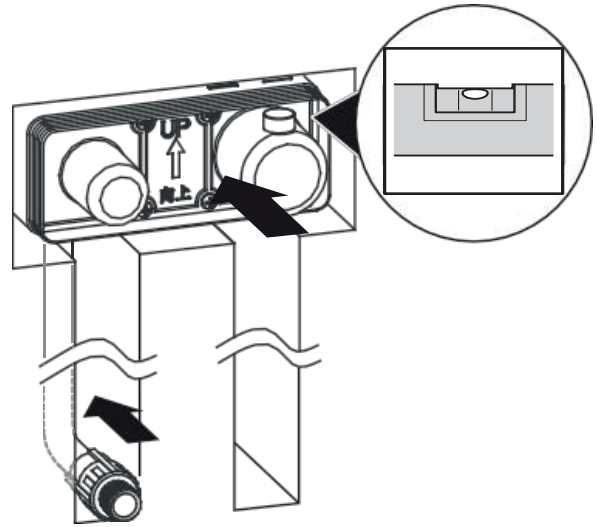
1



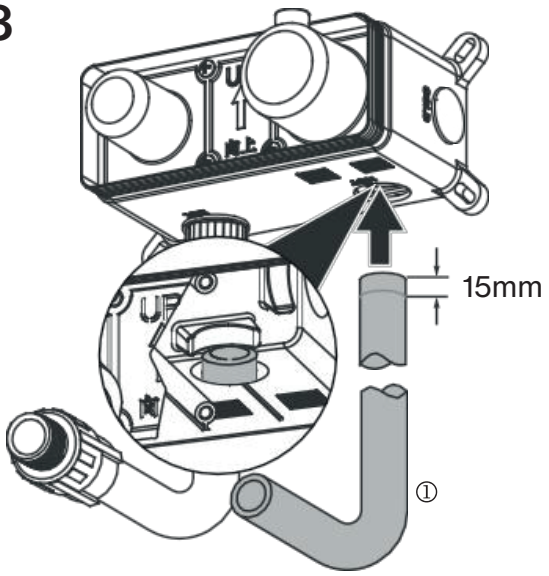
2



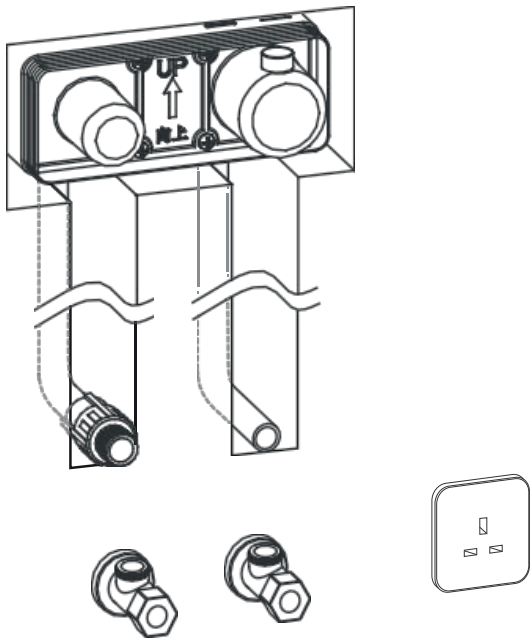
G 1/2
male thread



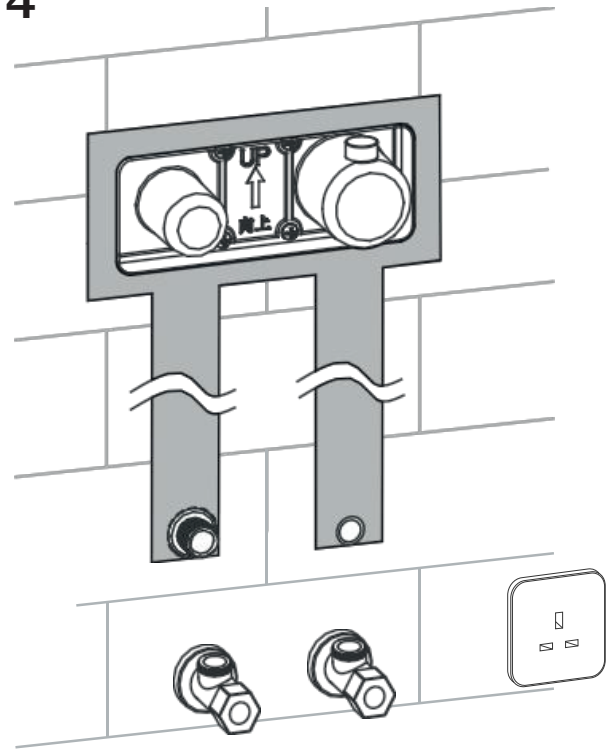
3



① Empty conduit for electric cable



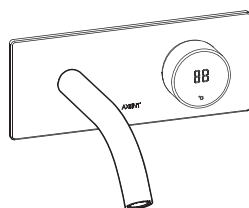
4



AXENT International AG

info@axentbath.ch
www.axentbath.ch

AXENT
SWITZERLAND



AXENT.ZERO
CONCEALED BASIN MIXER TOUCH

F40.0412.01X1.3

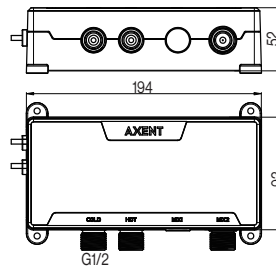
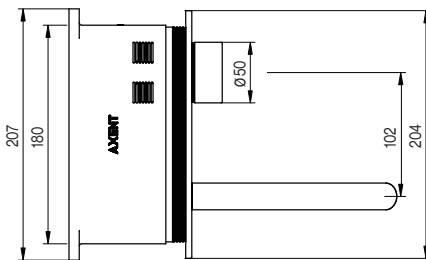
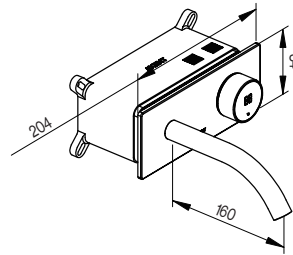
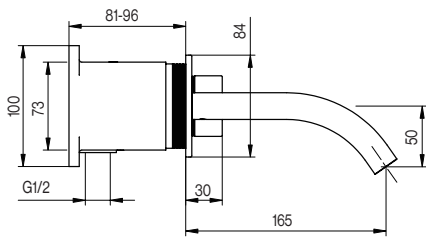
INSTALLATION INSTRUCTION

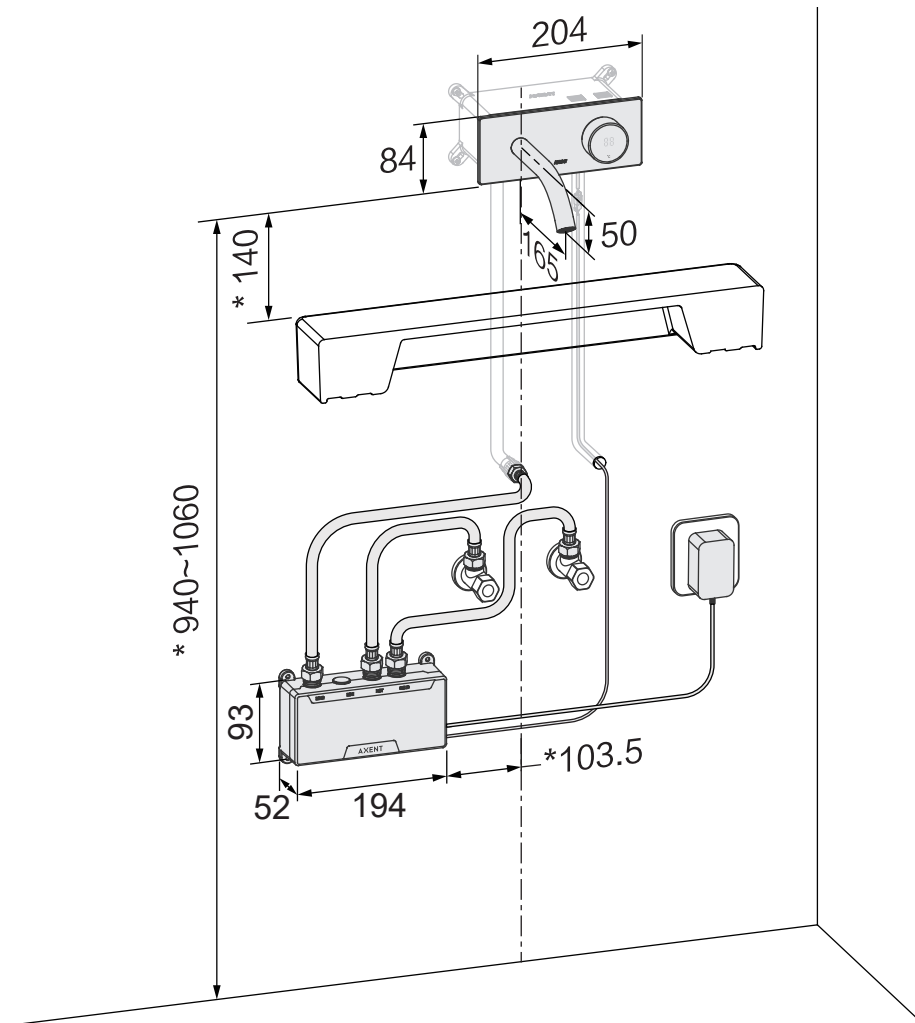


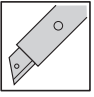
DANGER

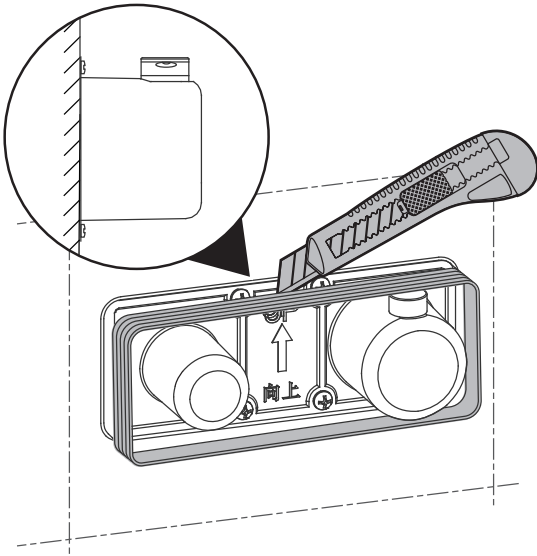
Electric shock hazard

The device may only be operated at power outlets or fixed connections with protective earthing.

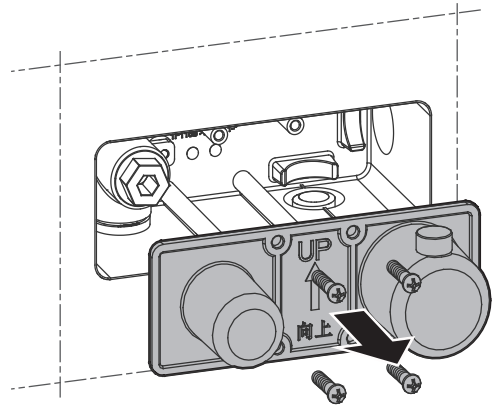




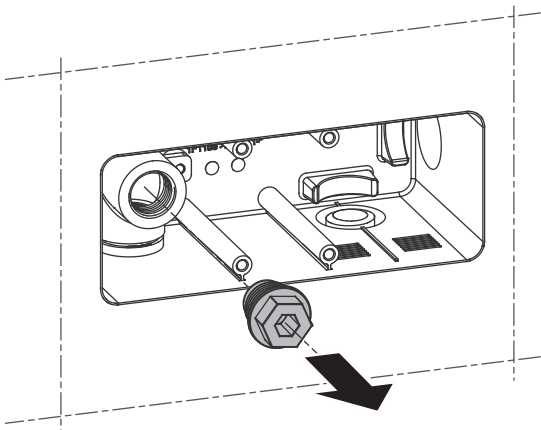
1 



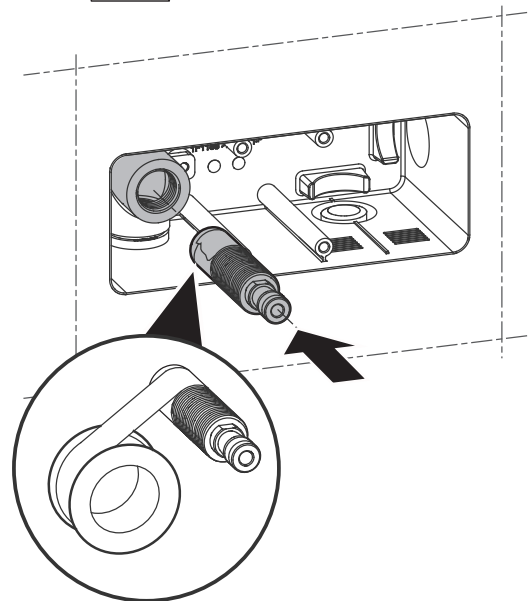
2  PH 2

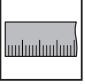



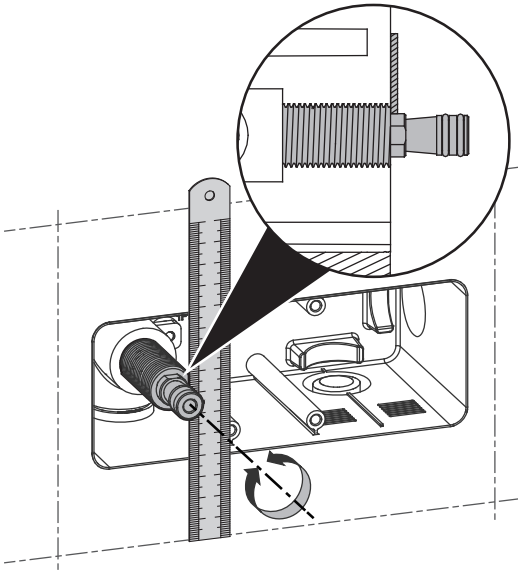
3  SW 20



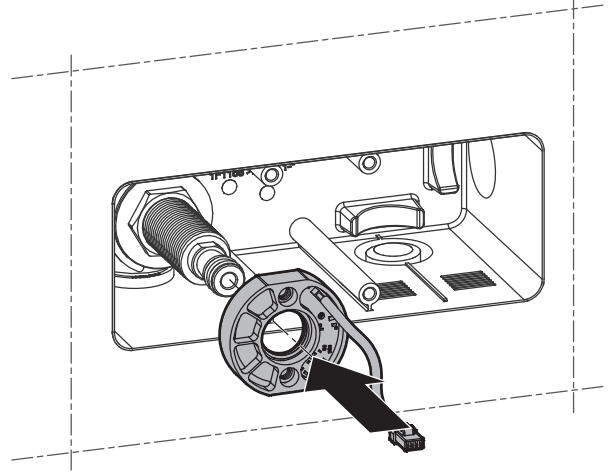
4  SW 13



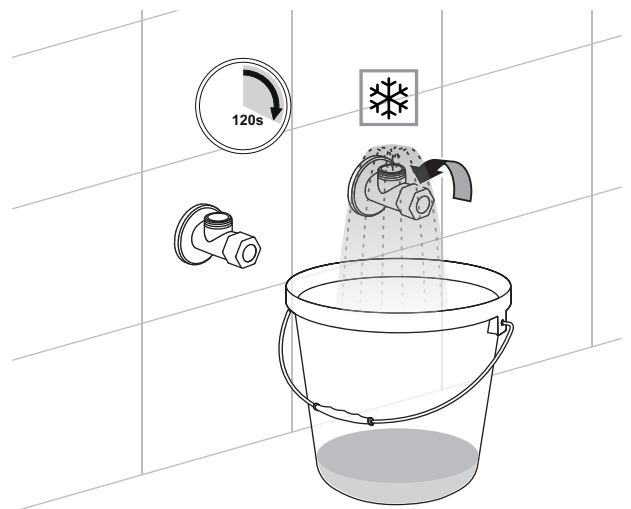
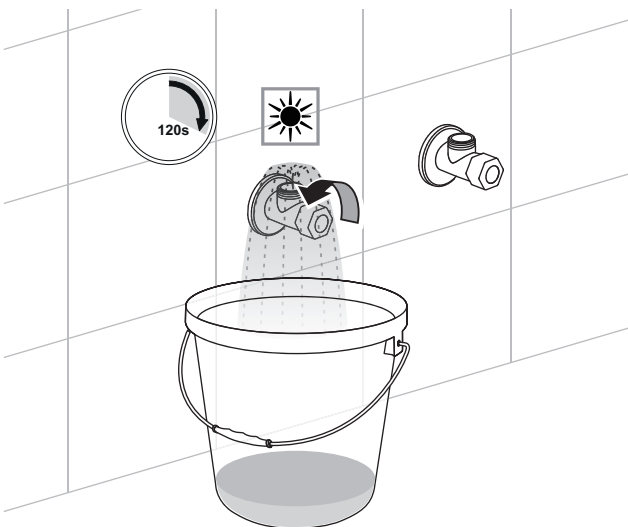
5   SW 13



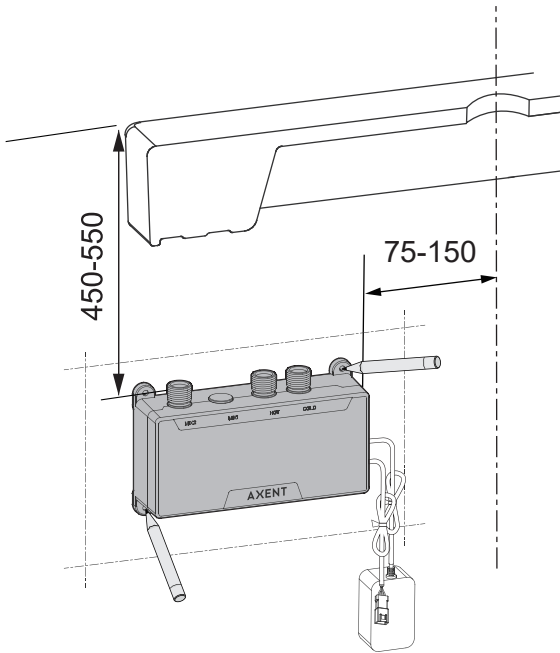
6



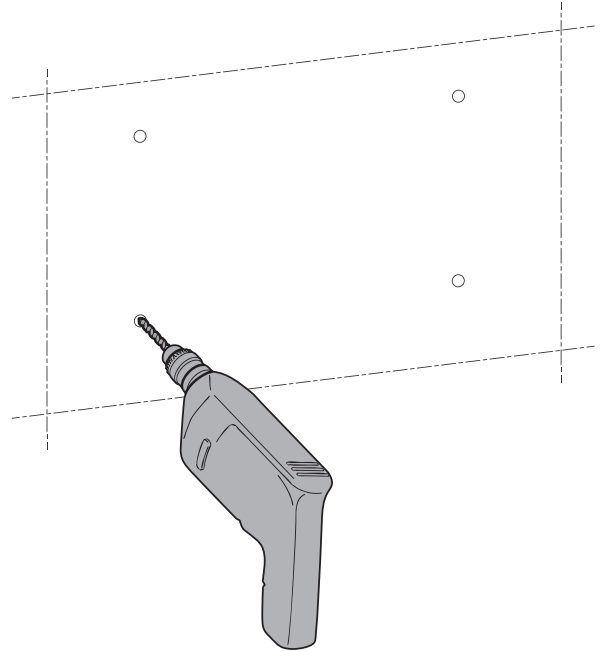
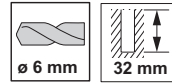
7



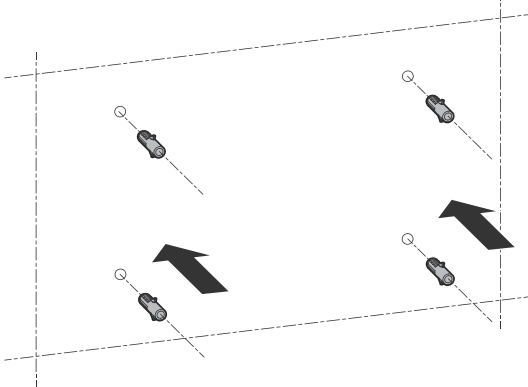
8



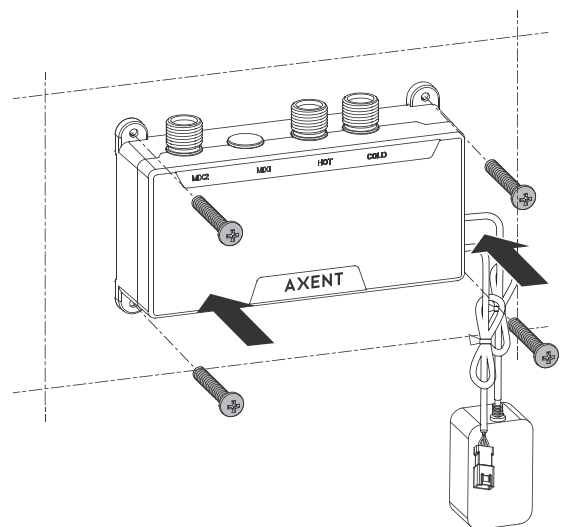
9



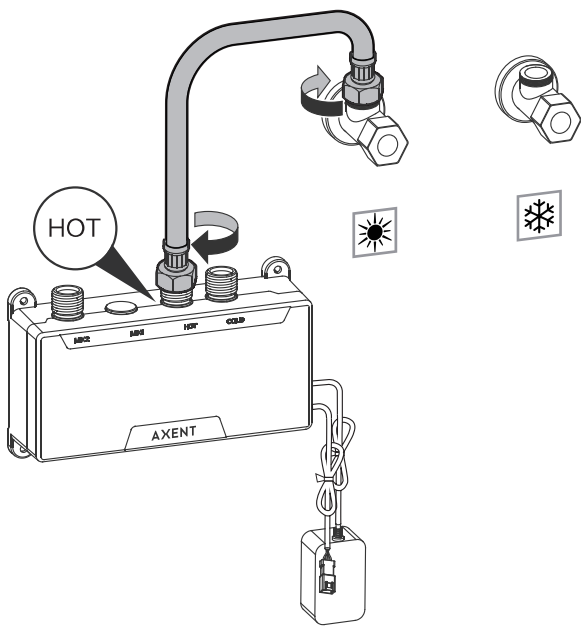
10



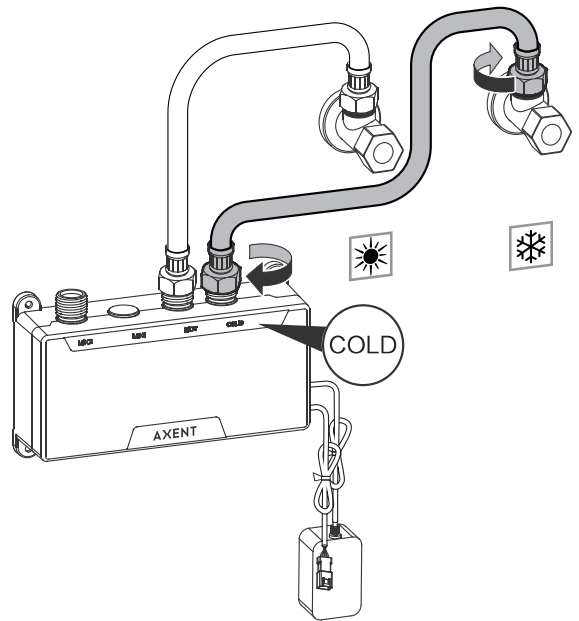
11



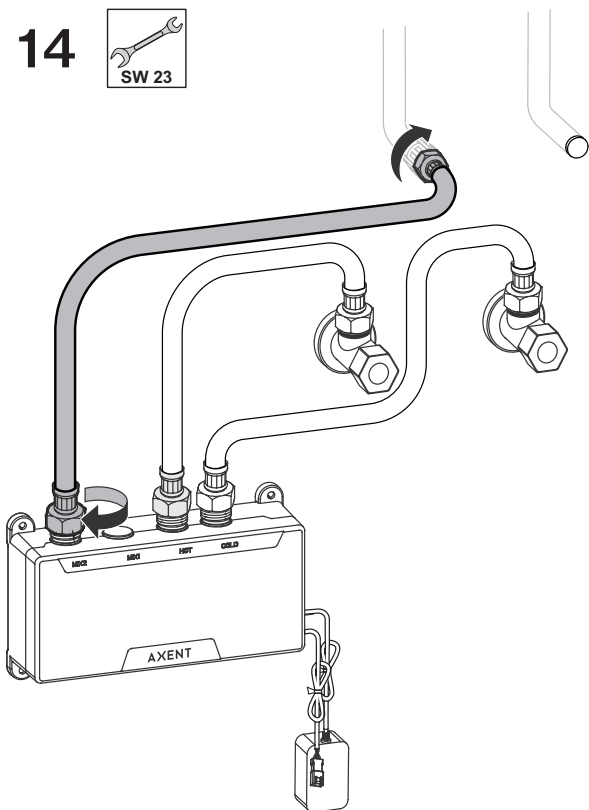
12  SW 23



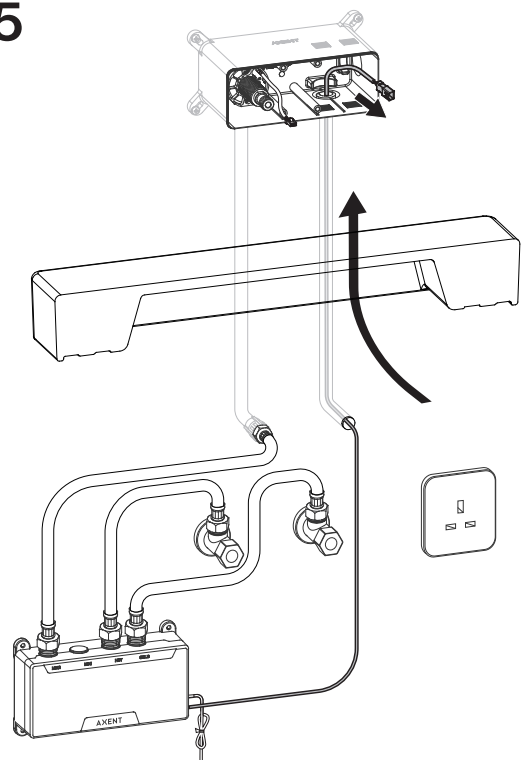
13  SW 23



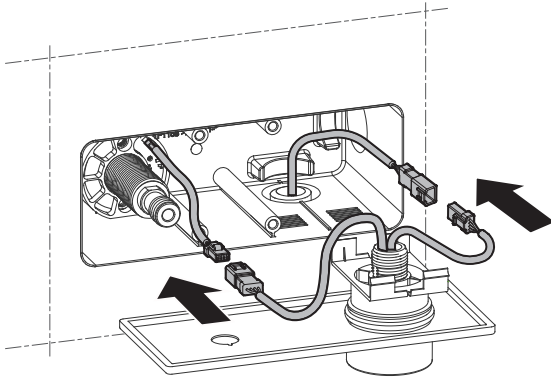
14  SW 23



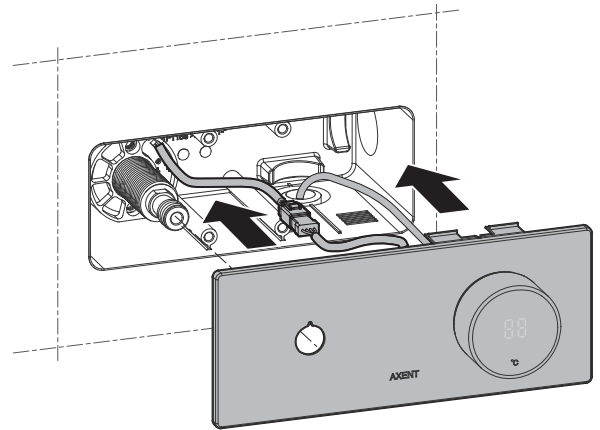
15



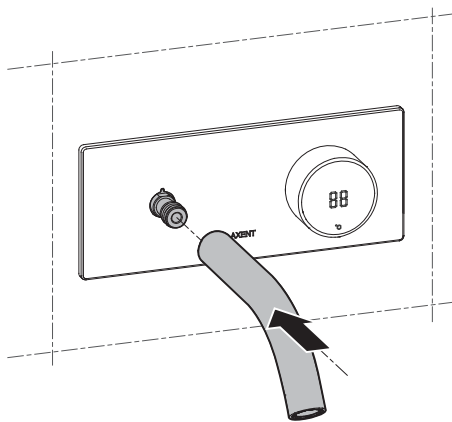
16



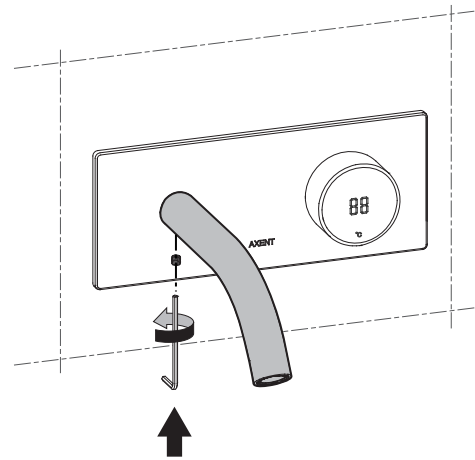
17



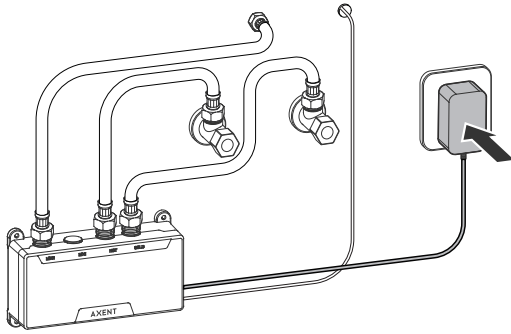
18



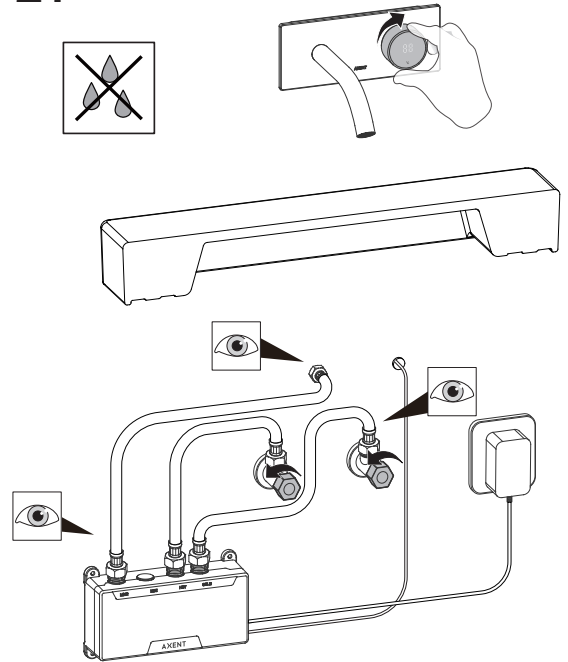
19



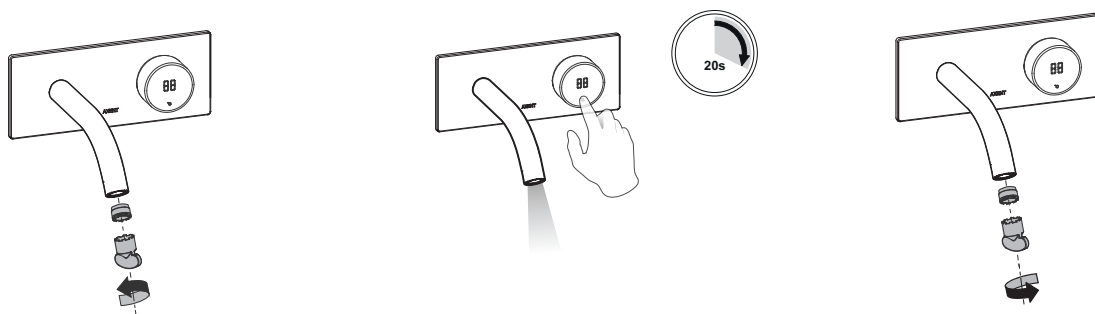
20



21



22



AXENT International AG

info@axentbath.ch
www.axentbath.ch