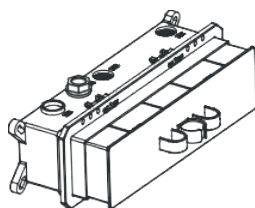
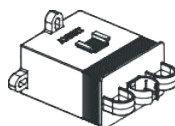


AXENT
SWITZERLAND



AXENT.ZERO
CONCEALED THERMOSTATIC SHOWER
Pre-installation F40.0600.0111.3

INSTALLATION INSTRUCTION

STANDARD SPECIFICATIONS

- Recommended operational pressure 1-5 bar
 - Maximum test pressure16 bar
 - Maximum hot water temperature 80 °C
 - Recommended temperature..... 50-60 °C
 - Pressure difference between hot and cold watermax. 1,5 bar
- We suggest to install water filters at the beginning of the installation



Warning

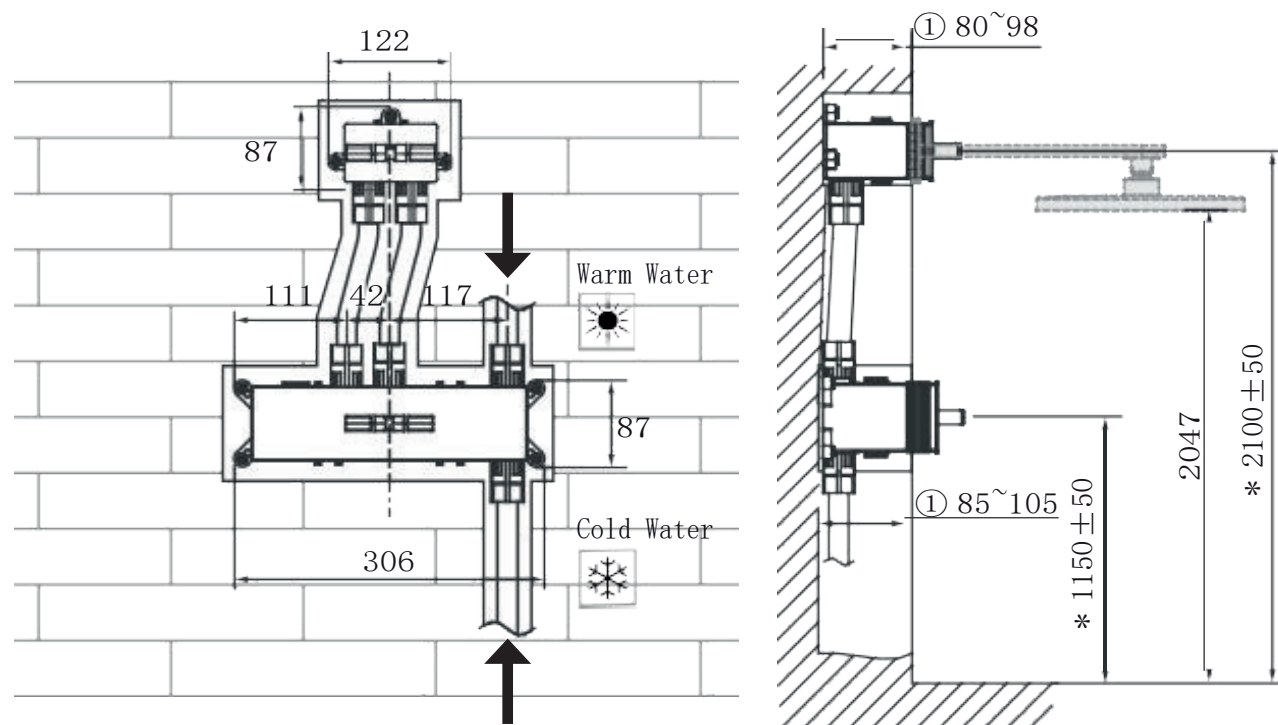
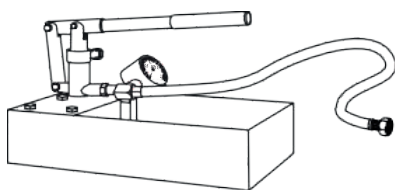
- If the above mentioned conditions are not observed, the product may not correctly work or not work at all.
- If during installation, before setting the product on the sanitary fittings, faults due to the special finishing are evident you may require the replacement of the tap.

REQUIRED TOOLS

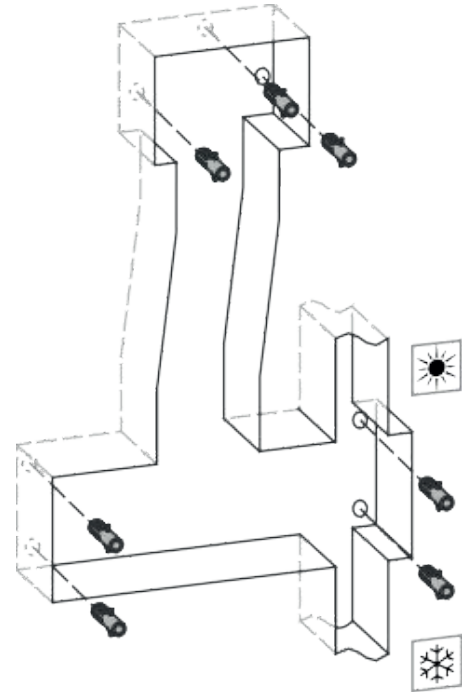
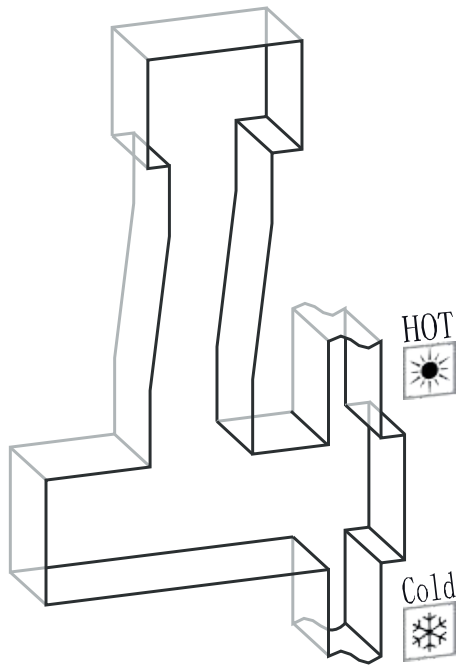
Cross screwdriver



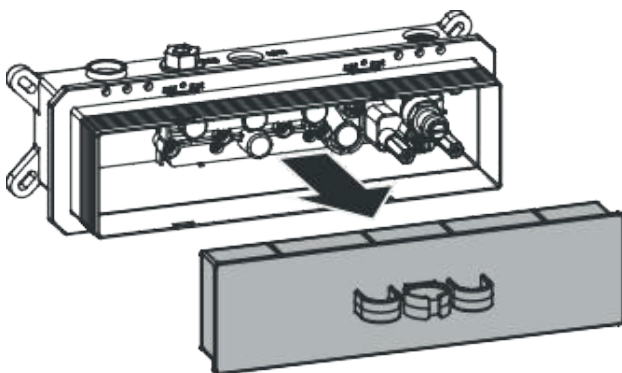
Hydraulic test pump



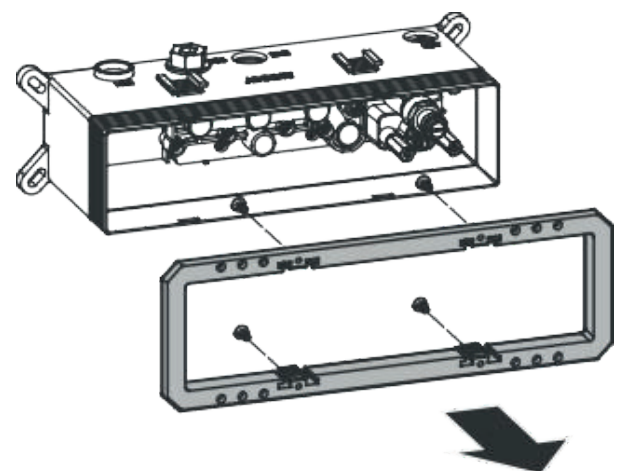
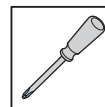
1



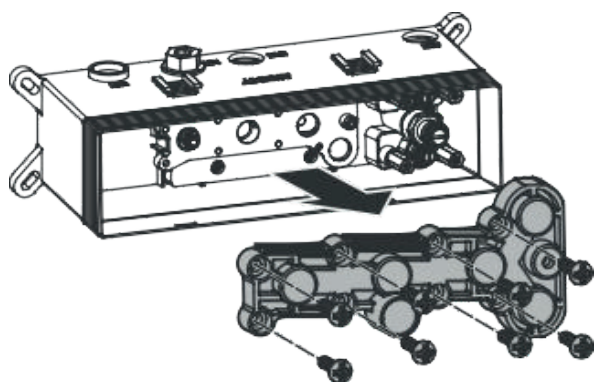
2



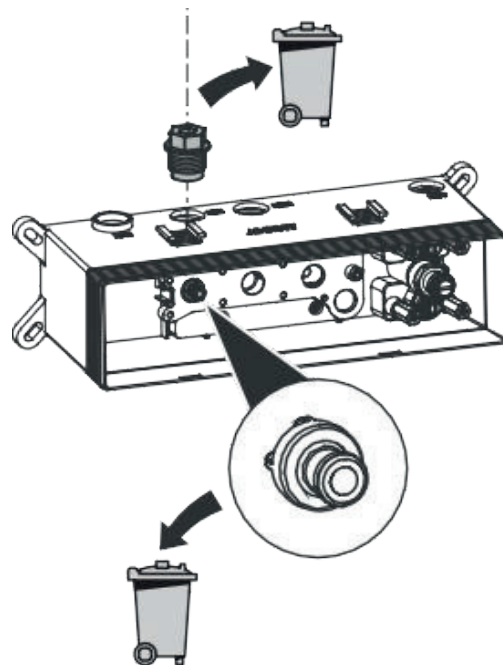
3



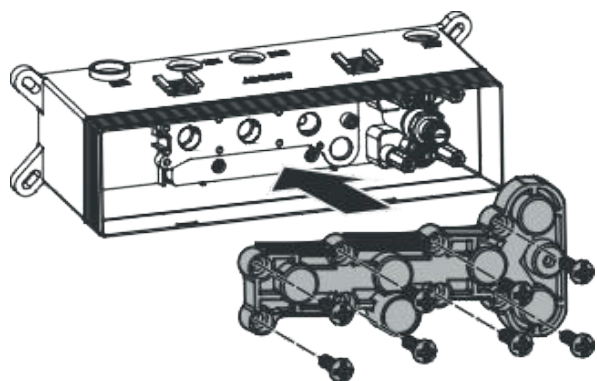
4



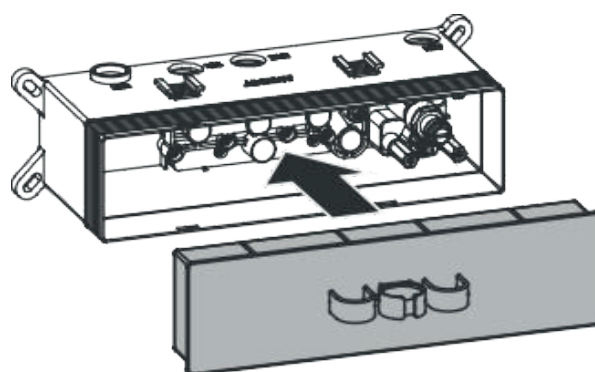
5



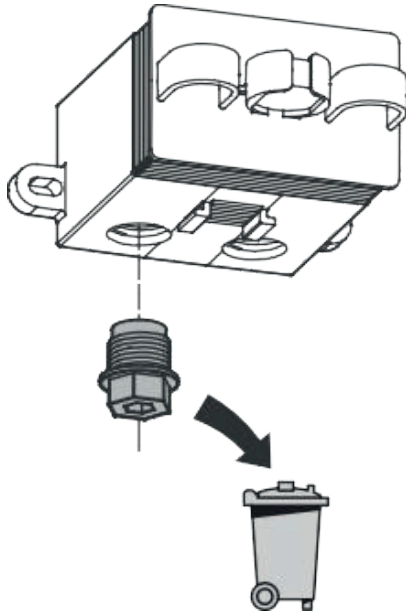
6



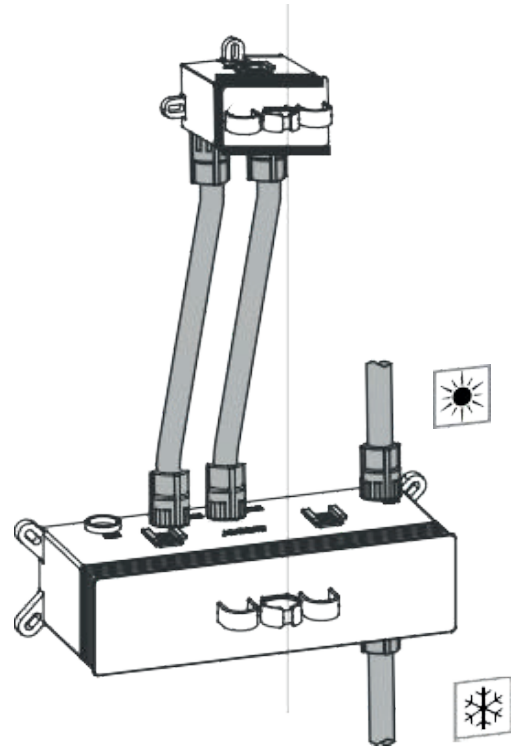
7



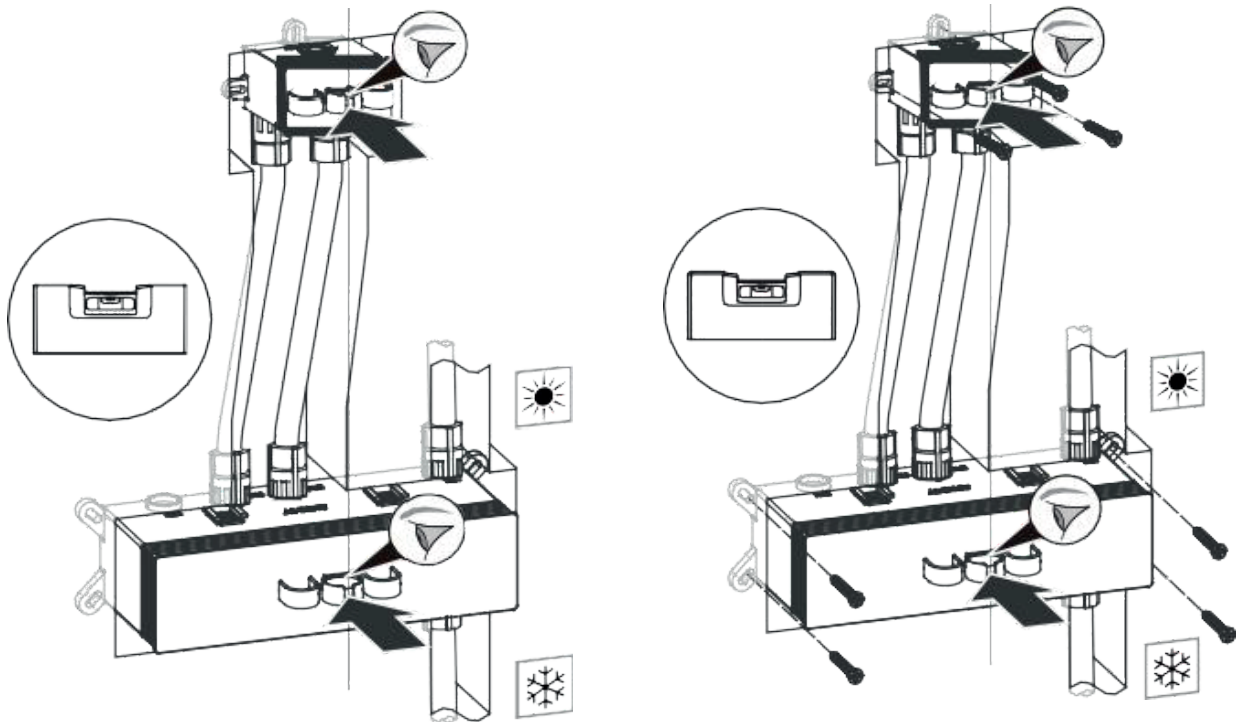
8



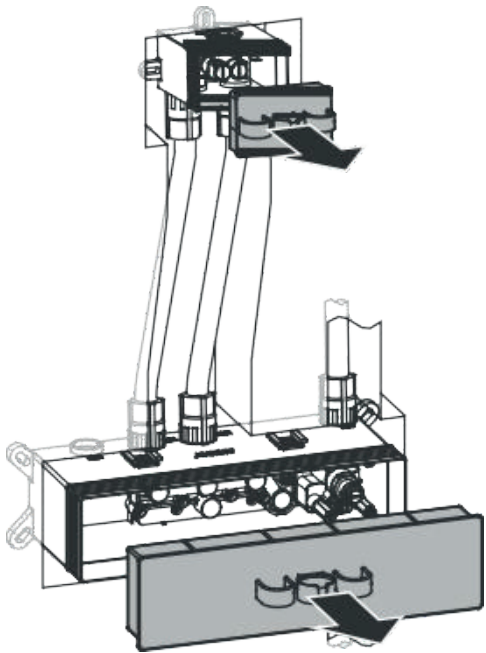
9



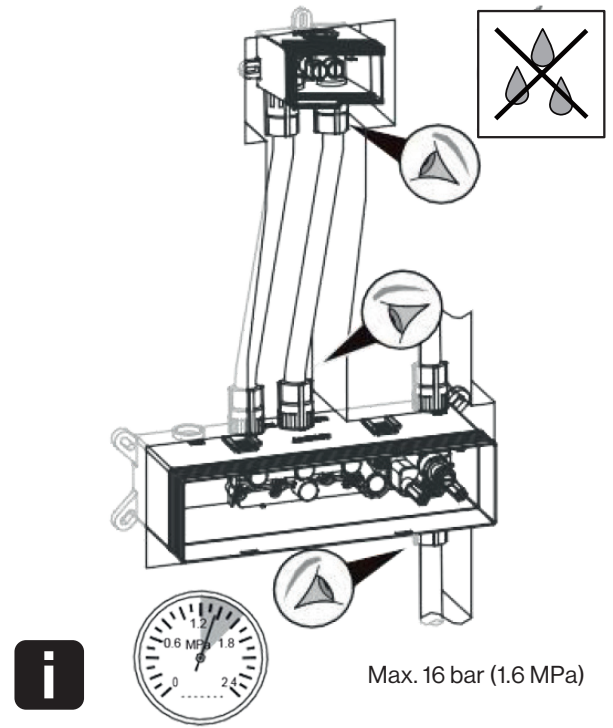
10



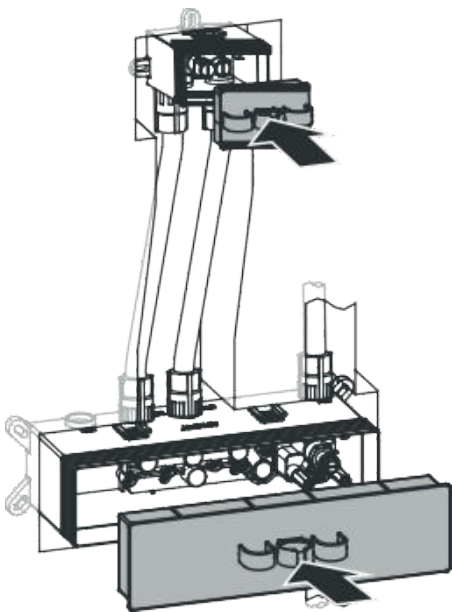
11



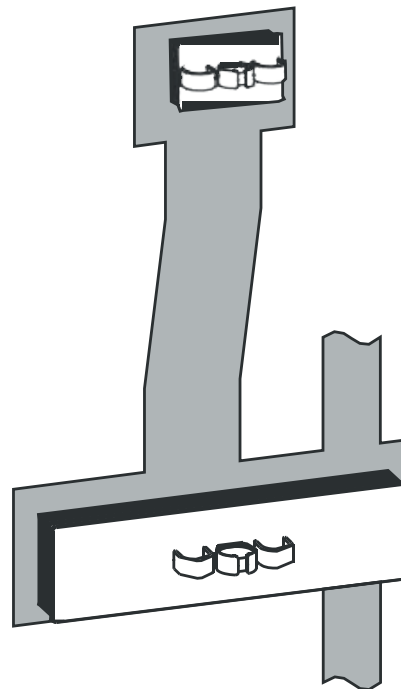
12

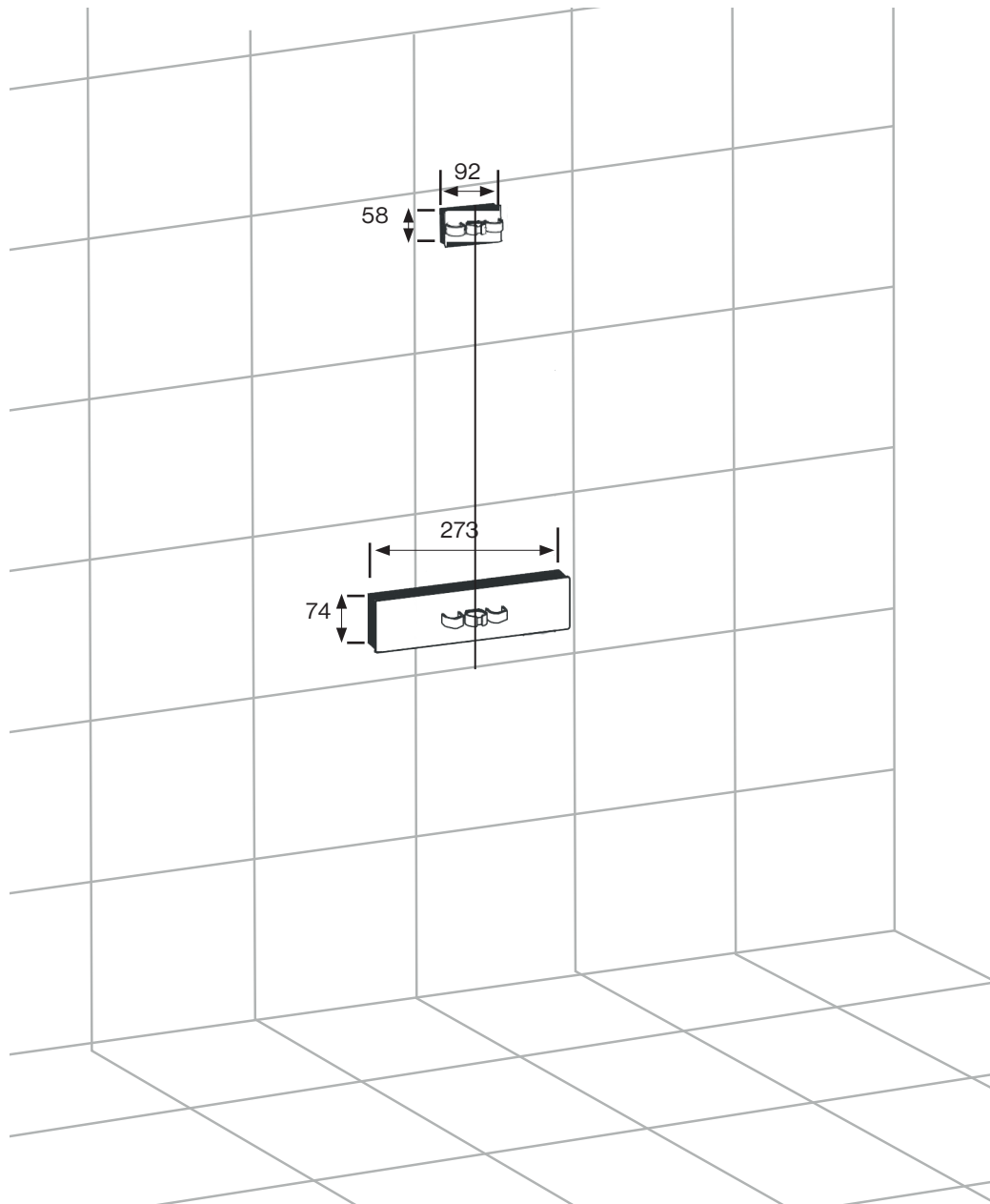


13



14





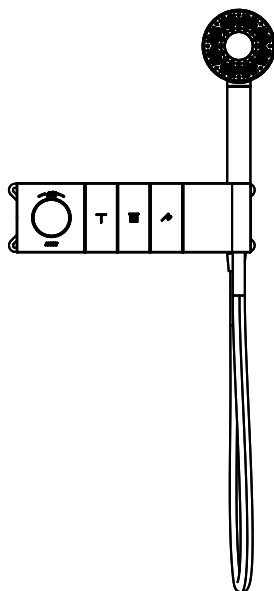
When decorating the wall (such as sticking ceramic tiles), the edge of the decoration should be close to the edge of the embedded box as far as possible, so as to avoid the gap between the decoration and the edge of the embedded box is too large, resulting in the decorative panel can not completely cover the gap. Decorations for cutting dug hole, please refer to shown in the figure size cutting.

AXENT International AG

info@axentbath.ch
www.axentbath.ch

AXENT

SWITZERLAND



AXENT.ZERO

CONCEALED THERMOSTATIC SHOWER

F40.0600.01X1.3

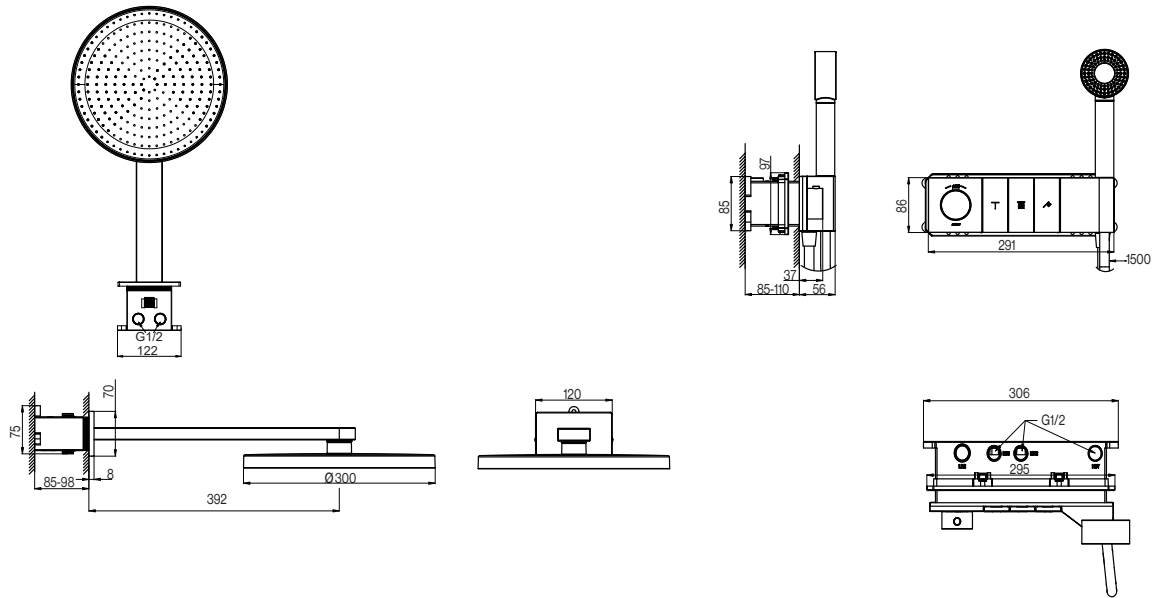
INSTALLATION INSTRUCTION

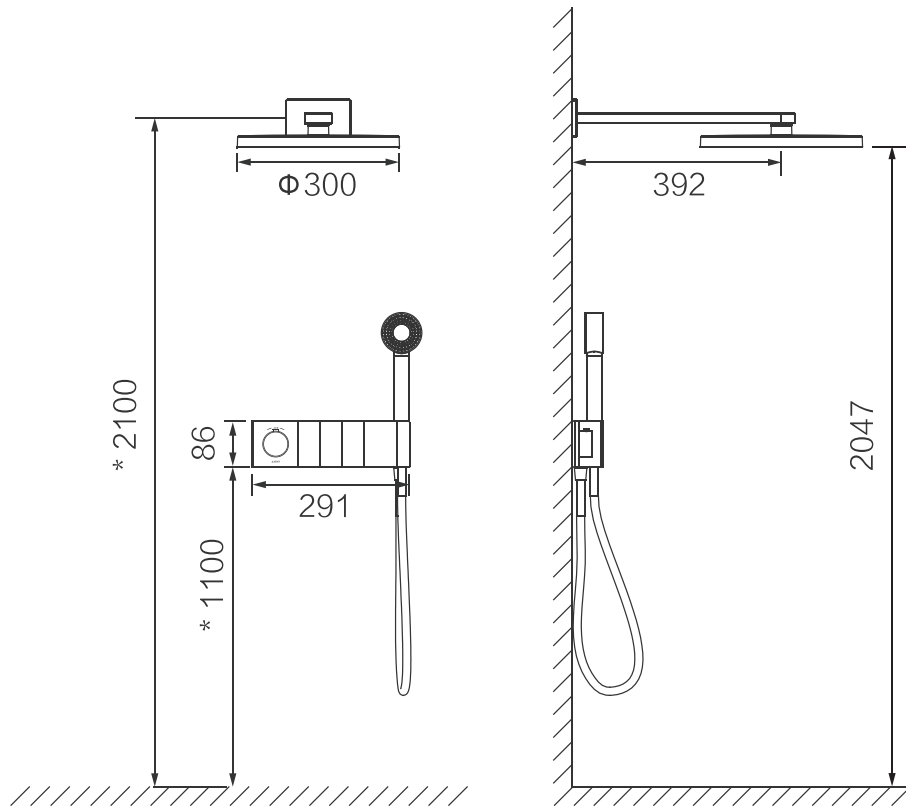


DANGER

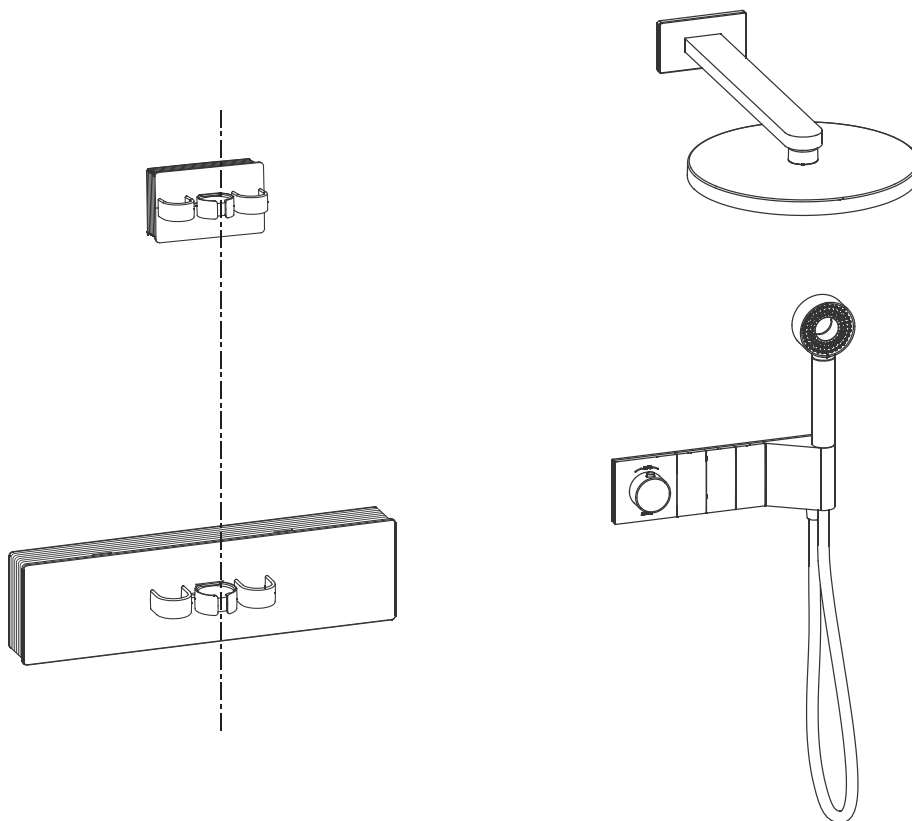
Electric shock hazard

The device may only be operated at power outlets or fixed connections with protective earthing.

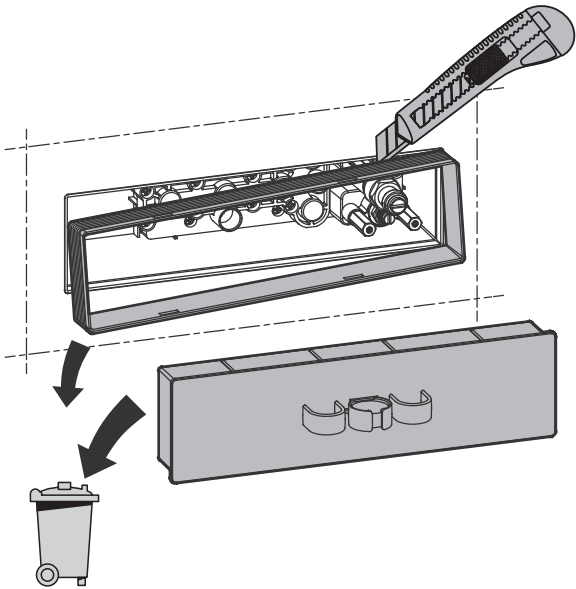




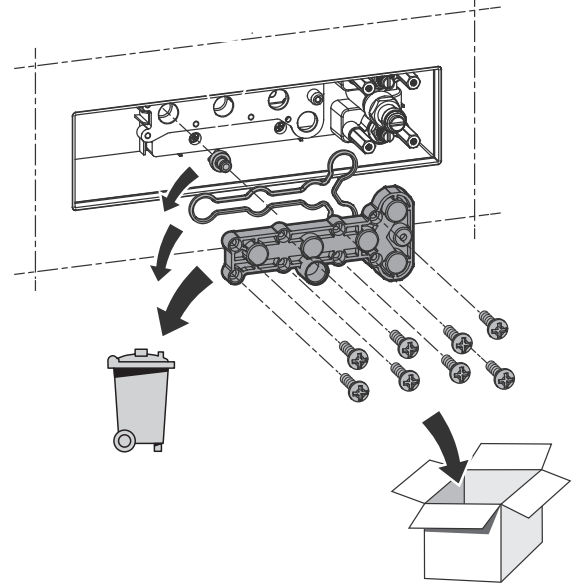
* Recommended installation height



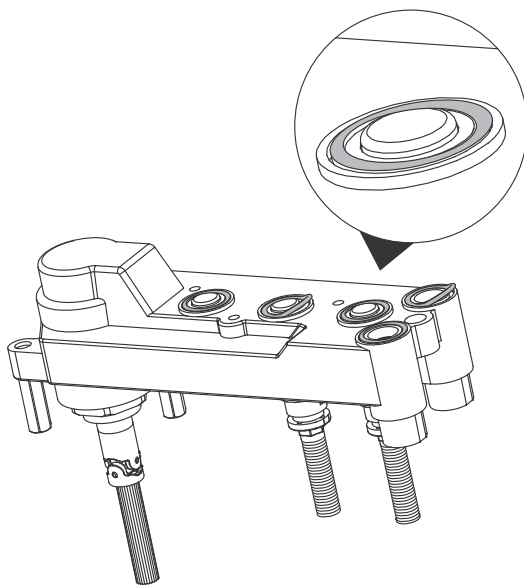
1



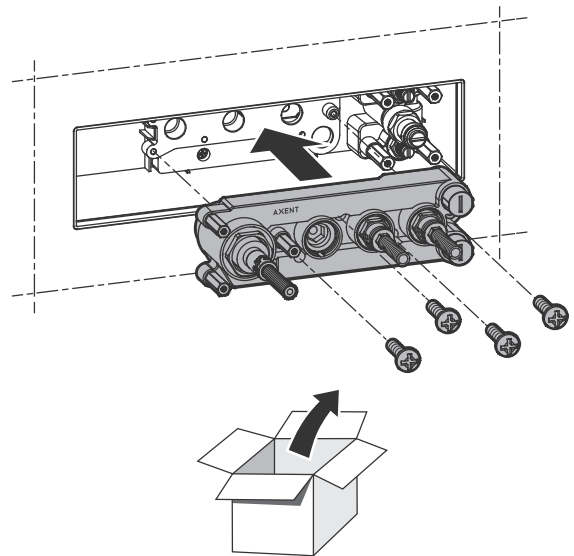
2



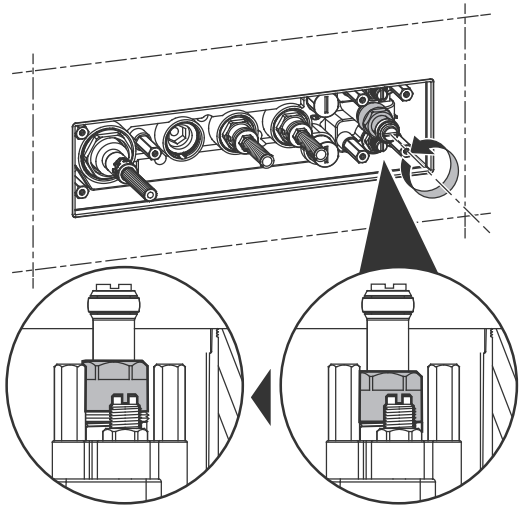
3



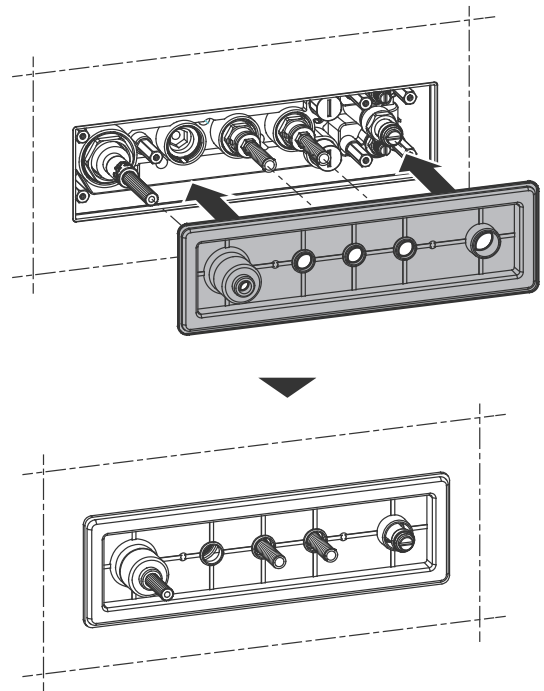
4



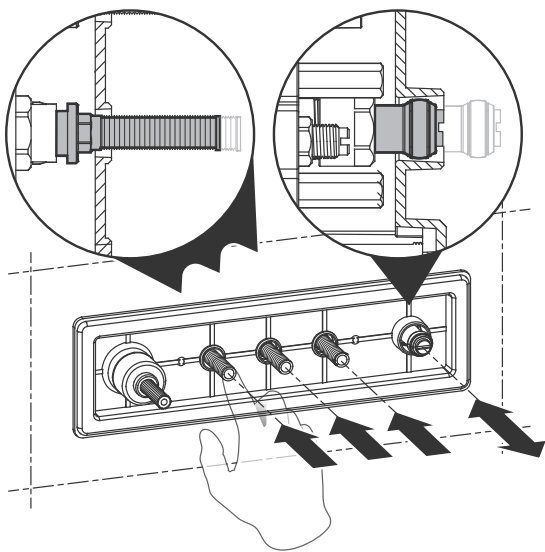
5



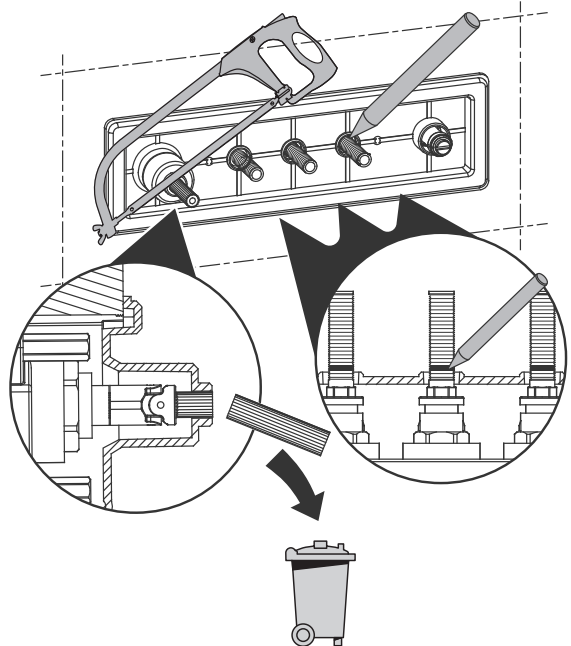
6



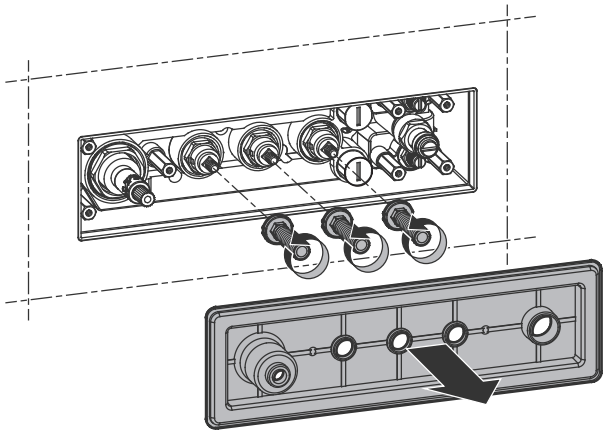
7



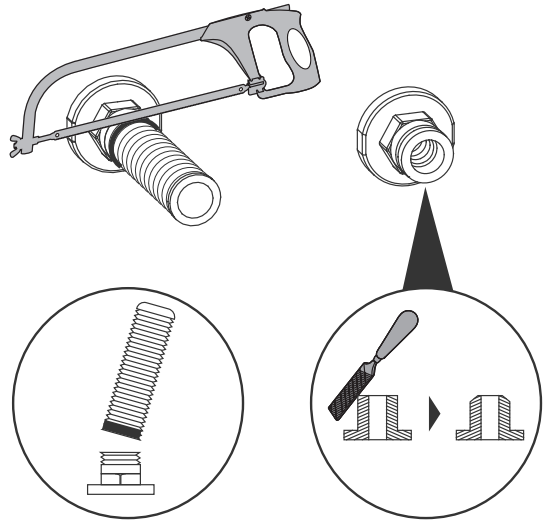
8



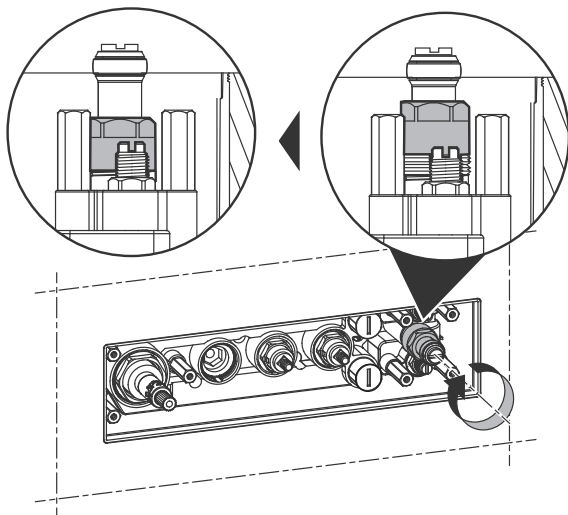
9



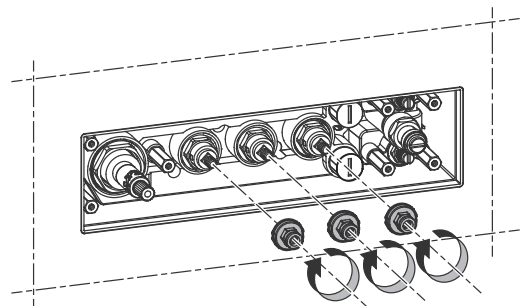
10



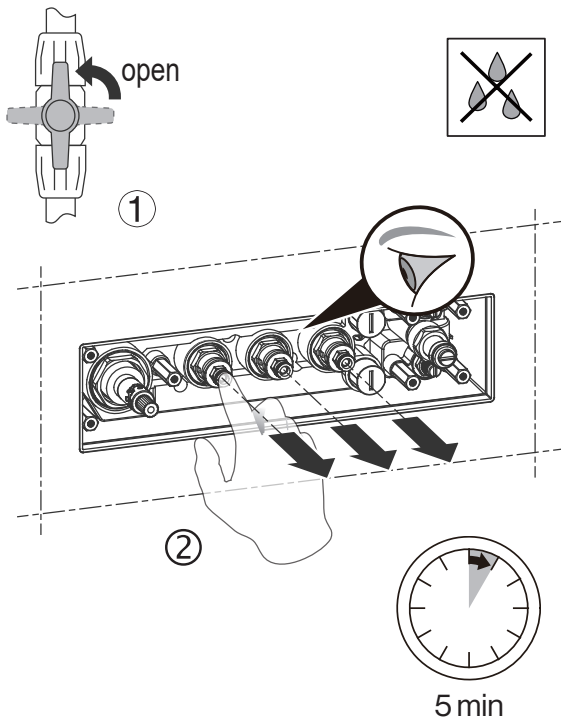
11



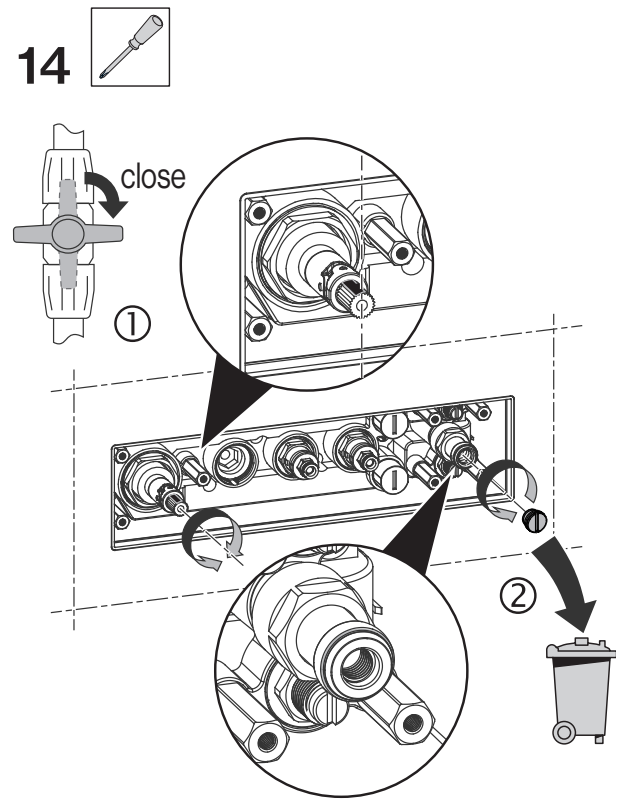
12



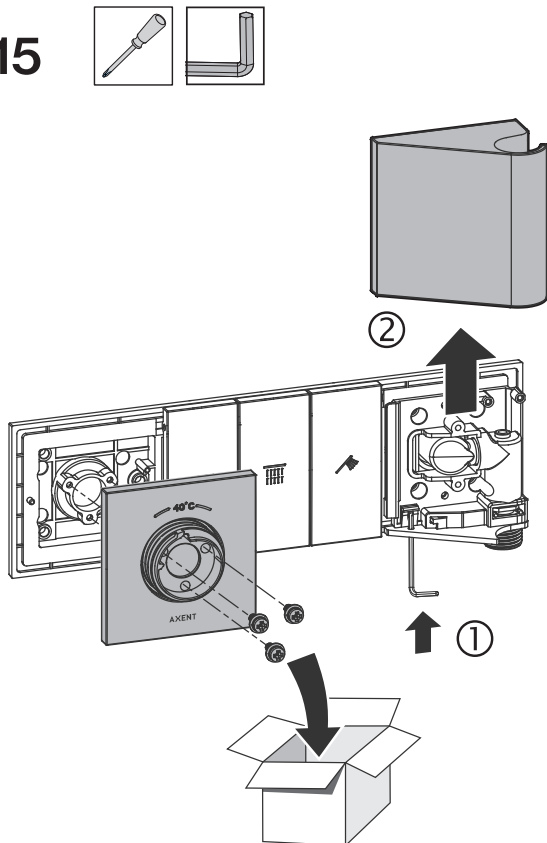
13



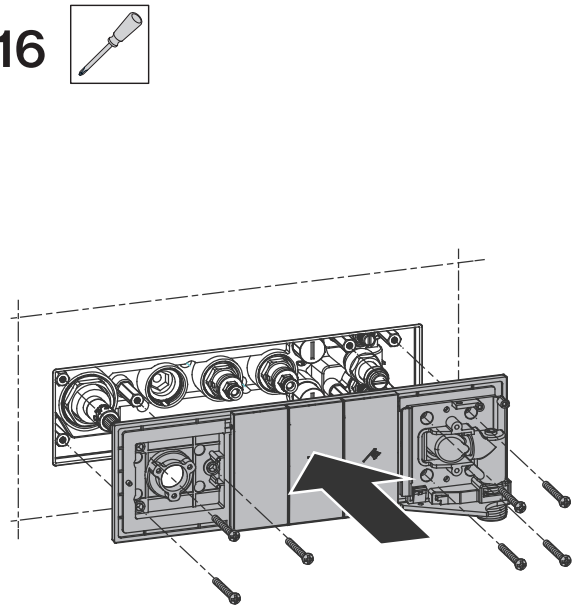
14



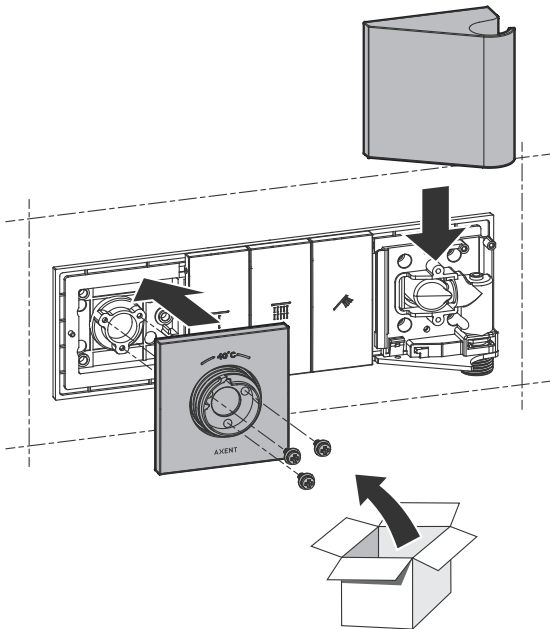
15



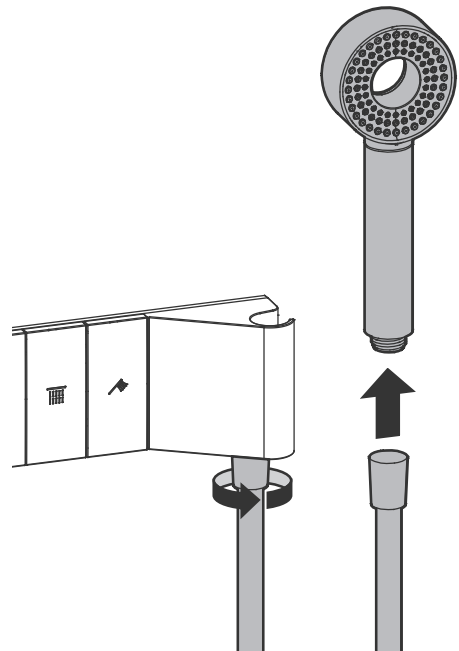
16



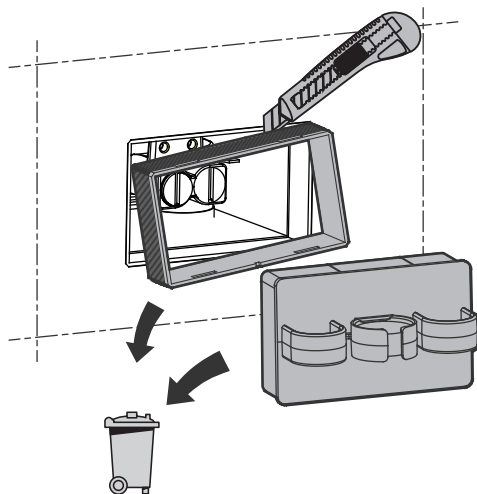
17 



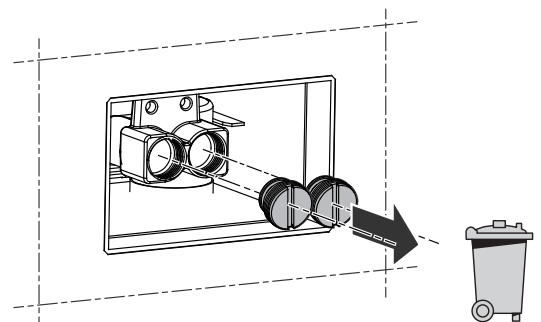
18

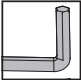


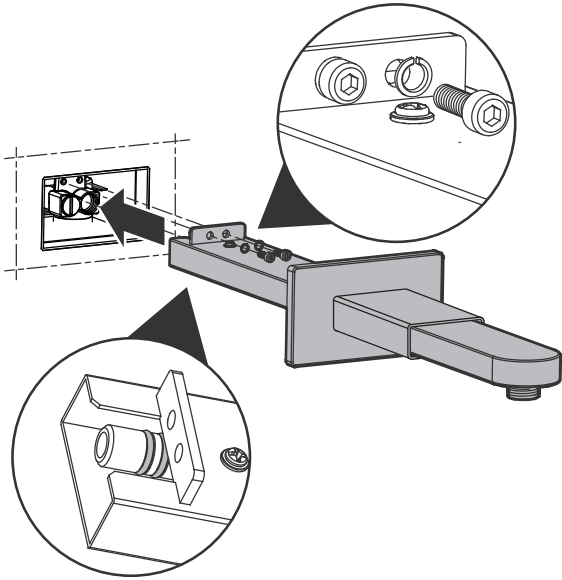
19 



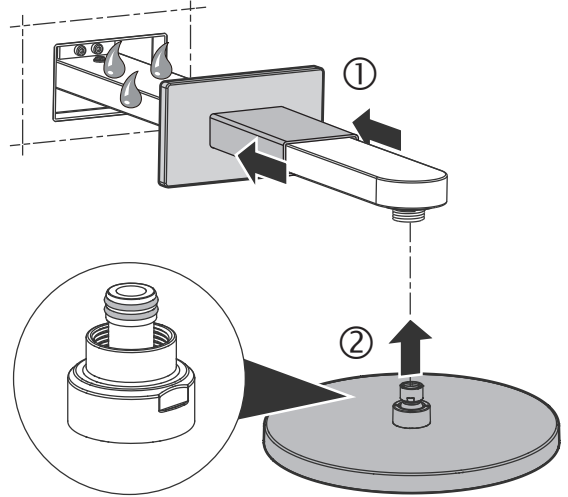
20 



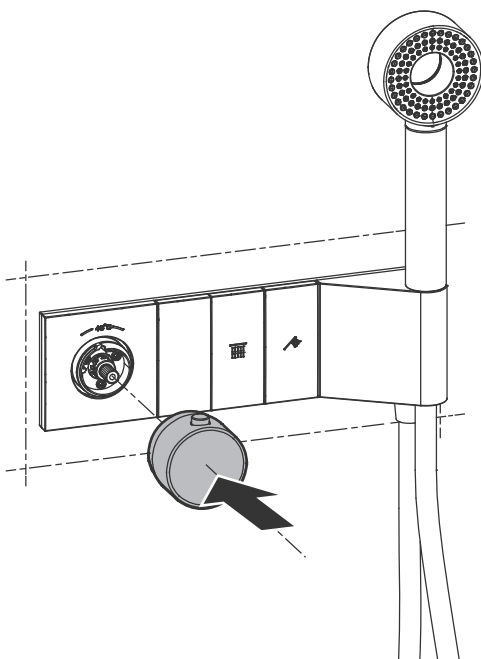
21 



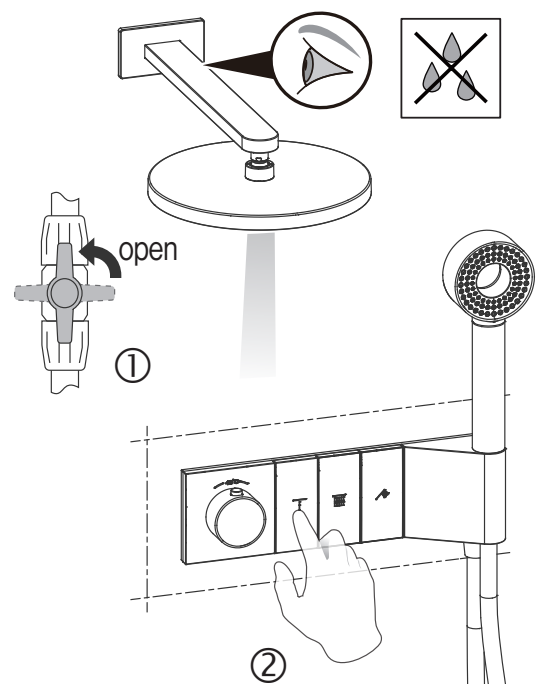
22 
SW 23



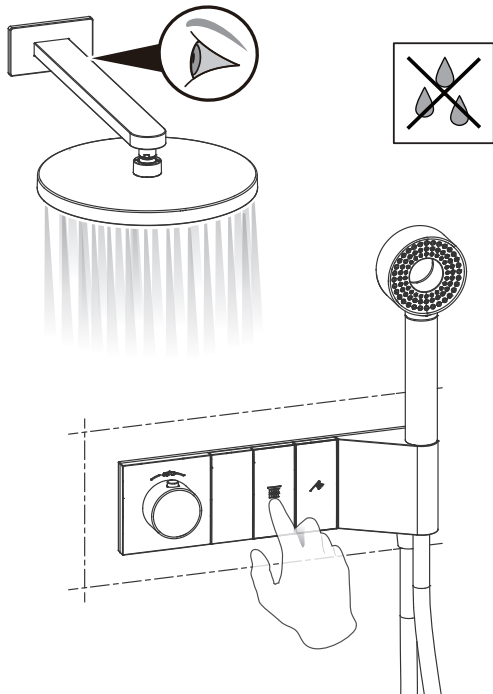
23



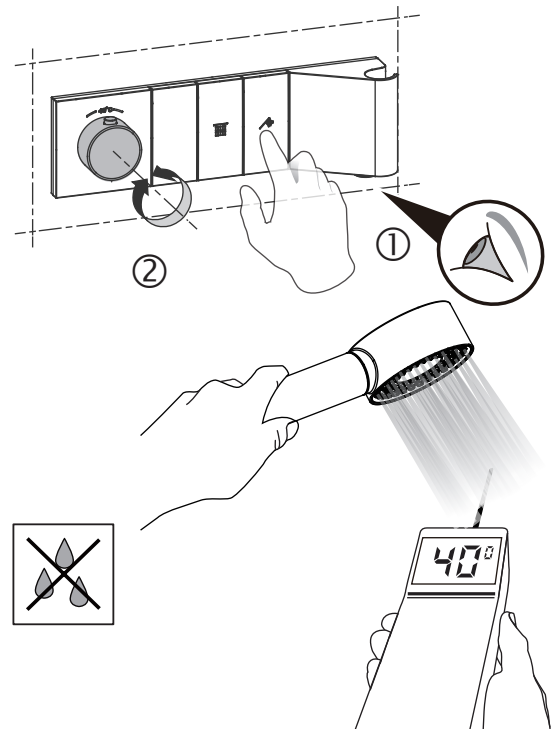
24



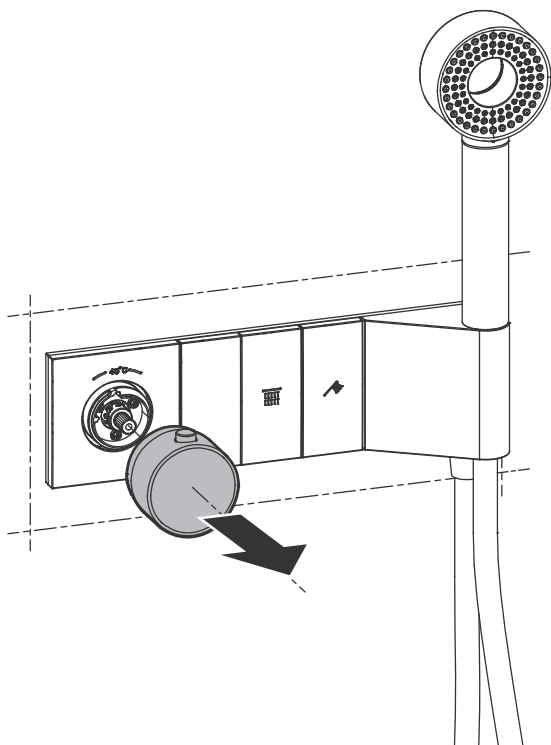
25



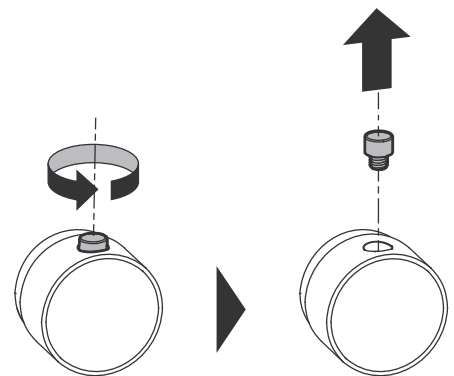
26



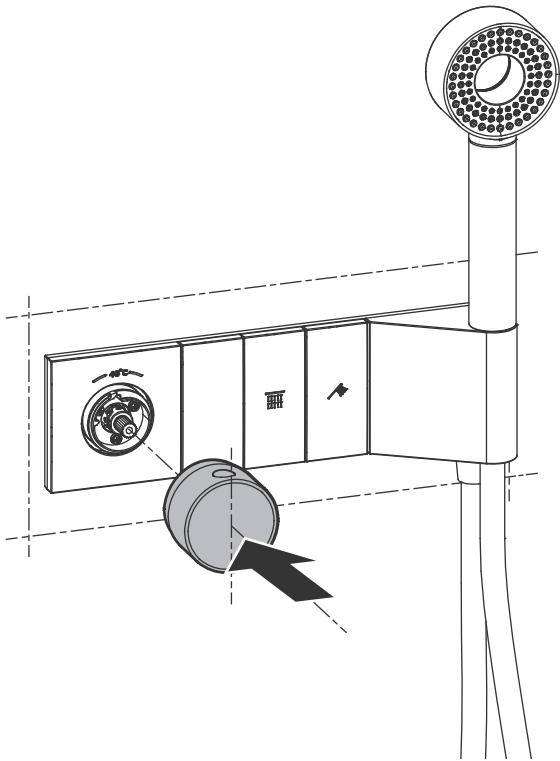
27



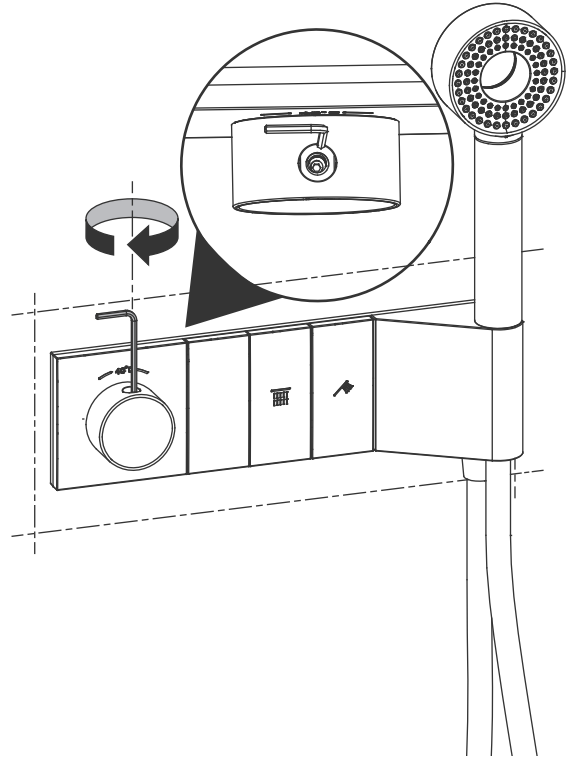
28



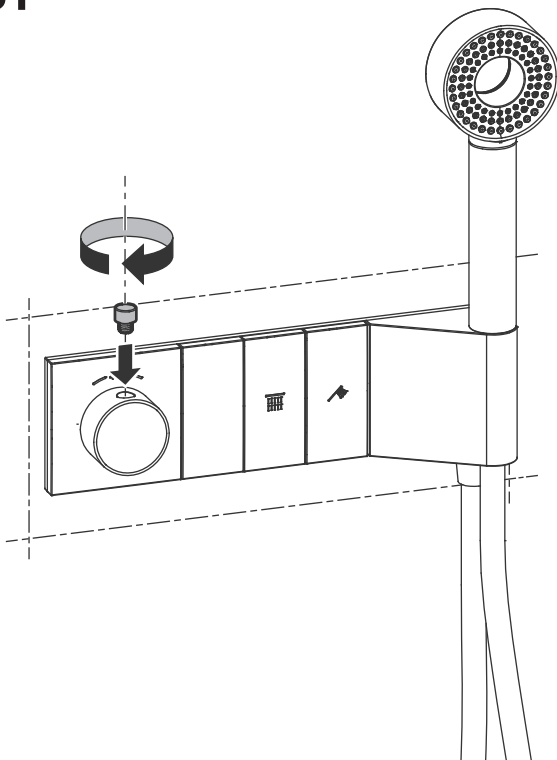
29



30



31



AXENT International AG

info@axentbath.ch
www.axentbath.ch