

BC5083-120

DOLPHIN DISABLED ALARM SYSTEM WITH PULL CHORD

Installation and Maintenance Guide



Please read carefully before use

KIT CONTENTS

This kit comprises of everything required for the complete installation of a BS8300 Compliant Emergency Assistance Alarm, (excluding cables and fixings).



MAINS WIRING

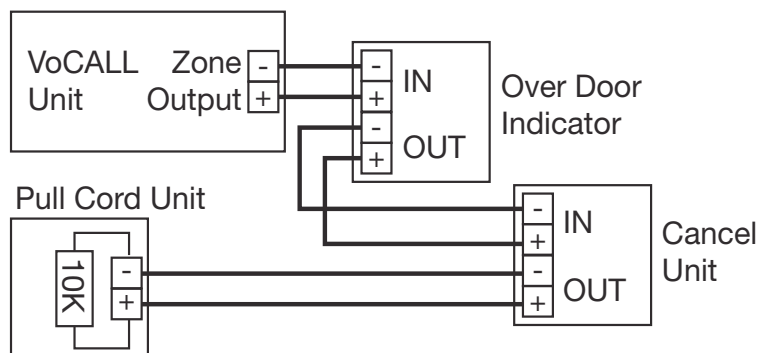
- > The wiring from the VoCALL Exchange, or from the VoCALL VCC5 Compact consists of a single pair; this does not have to be fire rated, although this may be used, the link through to the pull cord is monitored and any open circuit or short will be recorded as a fault on the VoCALL system

EXTRA LOW VOLTAGE (ELV) WIRING

- > Always segregate low voltage wiring from the mains wiring.
- > System requires minimum 2 core 0.4mm² cable.
- > All wall-mounting devices should be mounted onto a back box of the required depth.

WIRING GUIDE USING 2 CORE CABLE

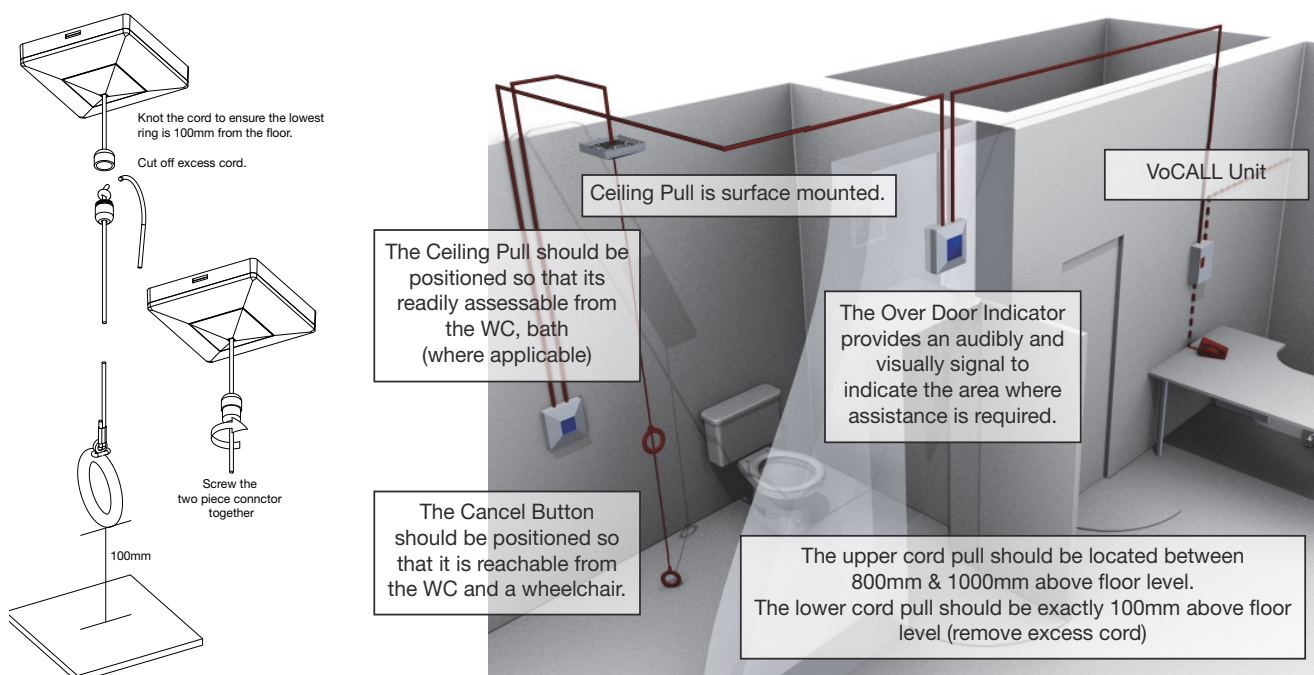
OUT	IN
VoCALL Unit	Over Door Indicator
Over Door Indicator	Cancel Unit
Cancel Unit	Pull Cord Unit



INSTALLATION

- > The Emergency Assist Alarm should be installed in accordance with the recommendations of BS8300 and to the requirements of Building Regulations Approved Document M.
- > The diagram below demonstrates a typical layout for installation in a disabled person toilet.

Note: Where pertinent other or alternative standards of design and installation should be adhered to.



- > All system components are designed to be sited internally and positioned in locations where they are readily accessible by the user. The area should be clean and dry and sound and light levels allow the status of all device indicators and sounders to be seen and heard.
- > Any likelihood of tampering or vandalism should also be taken into account at time of design.

OPERATION

- To Place a Call** Operate the Pull Cord. LED's will illuminate on, Pull Cord Unit, Cancel Unit and Over Door Indicator: An internal buzzer will also sound in the Over Door Indicator:
VoCALL Unit
- To Reset Call** Press the Cancel Button.

MAINTENANCE

- Weekly** Clean plates with a non abrasive cleaning cloth and detergent, do not use harsh or solvent based cleaners.
- Monthly** Test Call system by making and resetting a call.

Dolphin Solutions

Southpoint, Compass Park, Bodiam, Robertsbridge TN32 5BS

Tel: 01424 202224

Fax: 01424 205200

www.dolphinsolutions.co.uk

info@dolphinsolutions.co.uk

