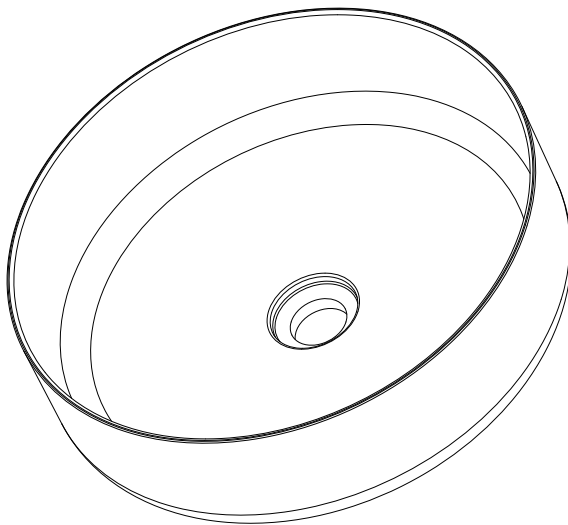


BAGNODESIGN

EXPERTLY CRAFTED BATHROOMS

Installation Guide



BEACH HOUSE COUNTERTOP WASH BASIN

A member of SANIPEXGROUP
www.sanipexgroup.com

IMPORTANT PLEASE READ

All products manufactured and supplied by BAGNODESIGN are fit for purpose as long as they are installed, used correctly, cleaned and receive regular maintenance in accordance with these instructions...

Remove all packaging and check the product for damage or missing parts before commencing with the installation.

Any alterations made to this product and its components may infringe product certification, infringe water regulations and invalidate the guarantee. The Installation must comply with all local/national water supply authority regulations/bylaws and building and plumbing regulations, therefore we strongly recommend that your product be installed by a reputable qualified trade's person.

PRODUCT LIFECYCLE

"The product LiveCycle is the collective stages that a product goes through from its conception and design through to its ultimate disposal."

DISPOSAL GUIDANCE

The best way to ensure your Product has a long life is to follow the Care and Maintenance guides set by the Manufacture after purchase. This document can be found at www.sanipexgroup.com.

The life cycle of the product is not in correlation to the product Guarantee; the standards the products are manufactured or certified to (e.g. CE & WRAS) can exceed past the Guarantee duration. After the life cycle of the product is deemed complete by the end-user please follow the below to dispose of the items correctly...

CLEANING CARE GUIDE

Only use a mild soap and water for cleaning.

Rinse with water to remove the mild soap solution.

We recommend the product is dried using a soft cloth after every use.

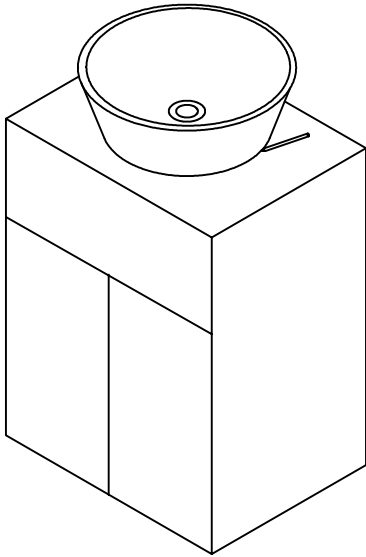
Never use any abrasive or strong cleaning products containing, bleaches, acids (hydrochloric, formic, phosphorus, chlorine or acetic), strong detergents, limescale remover, alcohol or dyes etc. **Never** use abrasive cleaning pads, wire wool or microfibre cloths. **Never** use cleaning equipment that may have been pre-used and contaminated with the above substances.

Never apply the cleaning product directly onto the finished surface.



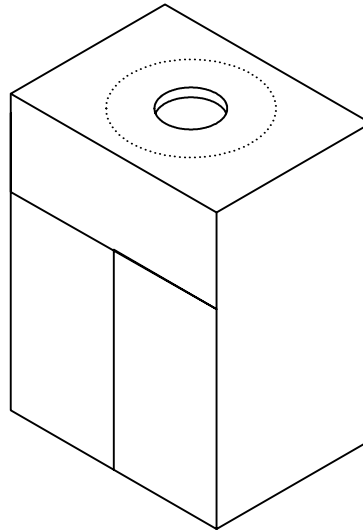
COUNTER TOP BASIN/ VESSEL FITTING INSTRUCTIONS

1



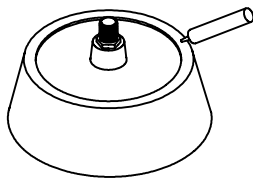
PLACE THE BASIN ON THE UNIT WORK TOP, MARK AROUND THE BASE, POSITION OF THE WASTE AND ANY TAP HOLES IF REQUIRED.

2



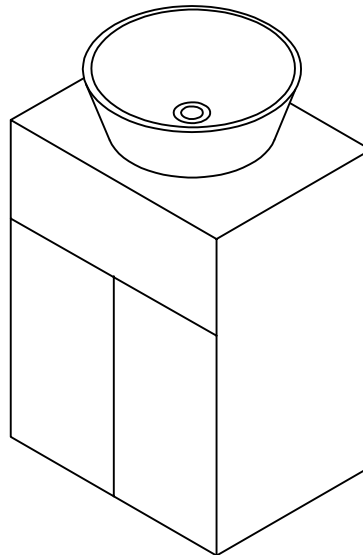
CUT OUT FOR THE WASTE ALLOWING FOR ACCESS (APPROX 120 mm DIA) MAKING SURE THE CUT OUT IS NOT VISIBLE WHEN THE BASIN IS IN PLACE. ALSO CUT OUT FOR ANY TAPS AND CONNECTIONS IF REQUIRED. ENSURE ALL CUT EDGES ARE SEALED AGAINST WATER INGRESS.

3



FIT THE WASTE MAKING SURE THAT THERE IS A GOOD SEAL, FIT ANY BRASSWARE AND CONNECTIONS IF REQUIRED AT THIS STAGE. APPLY A BEAD OF SILICONE AROUND THE BASE OF THE BASIN THAT WILL BE IN CONTACT WITH THE WORK TOP.

4



PLACE THE BASIN INTO POSITION ON THE WORK SURFACE AND PRESS DOWN TO MAKE A SEAL. CLEAN OFF ANY EXCESS SEALANT AND FINISH ACCORDINGLY. ALLOW TO SET FOLLOWING THE SEALANT MANUFACTURERS INSTRUCTIONS. WHEN FULLY SET MAKE THE CONNECTIONS FOR ALL THE SERVICES.

BAGNODESIGN

EXPERTLY CRAFTED BATHROOMS

A member of SANIPEXGROUP
www.sanipexgroup.com