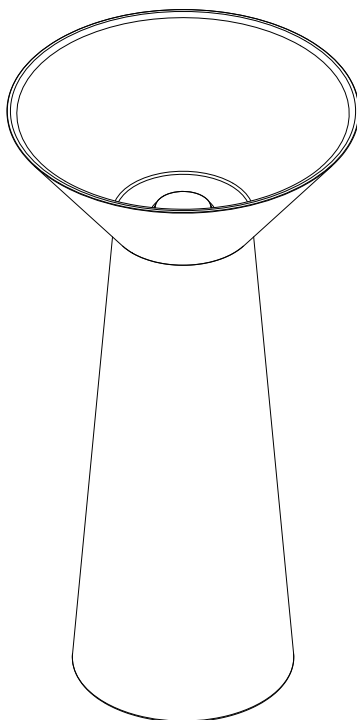


BAGNODESIGN

EXPERTLY CRAFTED BATHROOMS

Installation Guide



BDS-BIS-501-GXB

BRISTOL FREESTANDING WASH BASIN DIA. 445 X 847MM

A member of **SANIPEXGROUP**
www.sanipexgroup.com

IMPORTANT PLEASE READ

Remove all packaging and check the product for missing parts or damage before starting installation.

Any alterations made to this product and fittings may infringe water regulations and invalidate the guarantee.

The Installation must comply with all Local/National Water Supply Authority Regulations/Byelaws and Building and Plumbing Regulations.

We strongly recommend that your product be installed by a reputable qualified trade's person.

General Installation:

Please note this product can require 2 or more persons to lift and manoeuvre into position.

To the installer: Please read and follow this instruction carefully, as the guarantee is only valid if the product is installed as directed.

Don't rush, read the instructions first and run through them before you begin. Keep fittings together to avoid loss. Do not over tighten screws or bolts.

If the unit is covered with polyethylene protective film, do not remove until installation is complete to grant maximum protection. However, remove film where any two surfaces will be in permanent contact.

Verify that all dimensions on the plan are the same as the ones of the product.

Please leave this installation manual with the end user once the product has been installed.

Product Aftercare:

We recommend cleaning with a soft damp cloth and mild soap solution.

Do not use cream cleaners or cleaners containing bleach.

Do not scrub or scour.

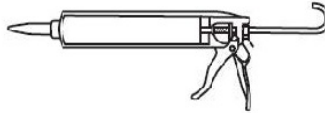
Do not use abrasive cleaning agents.

Do not use solvent based cleaners.

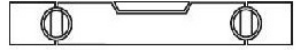
TOOLS REQUIRED (Not supplied)



Measure Tape



Sealant Gun



Spirit Level

PART REQUIRED (Not Provided in Package)



Always Open Waste



Waste Extension



Straight Trap



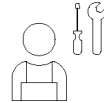
Flexible Ppipe



Note!

Installation should only be carried out by professional plumbers.

x2



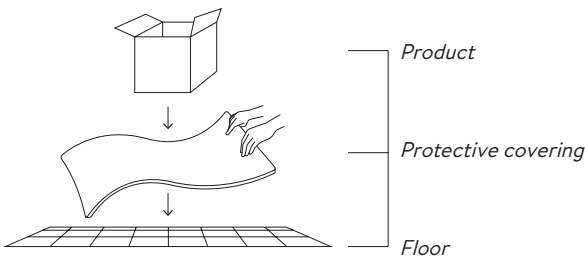
Warning!

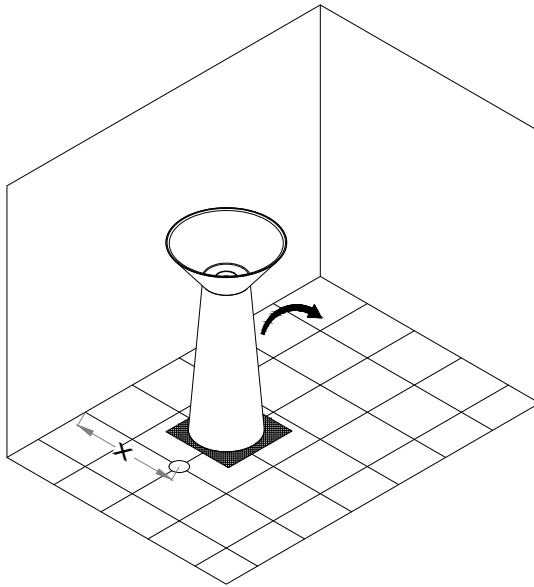
When moving the basin, please keep in mind that it is a heavy object. Take care to bend your knees, keep your torso erect and follow general established guidelines regarding the lifting and placement of weighty items.



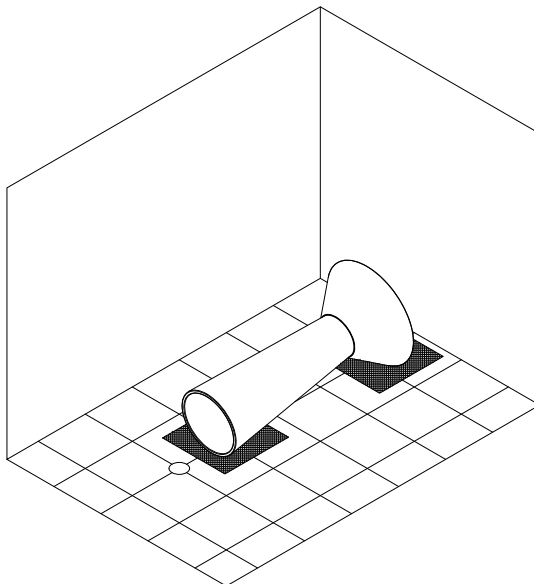
Note!

Take care when handling this product to avoid damaging the Basin and floor tiles. We recommend placing it on a protective surface such as cardboard or a sheet.



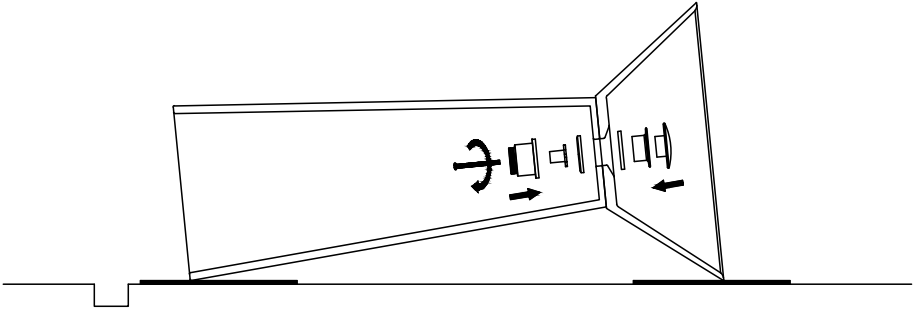


Place the basin close to the wall, take notice of the spout length of the mixer so that the distance X is correct.
Tilt and lift the basin to position it on the side of the floor waste hole.

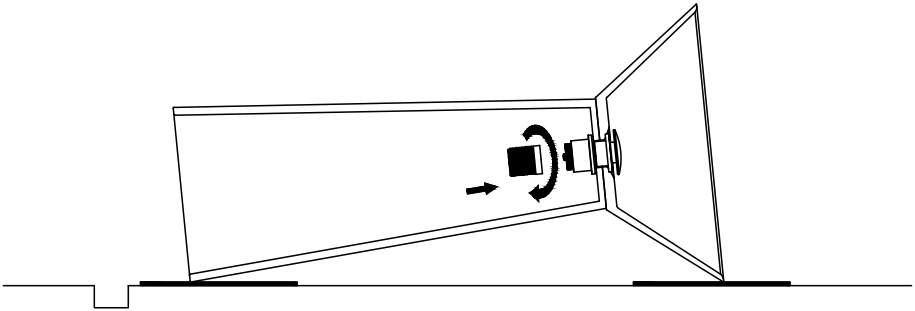


Note: We recommend placing it on a protective surface such as cardboard or a sheet.

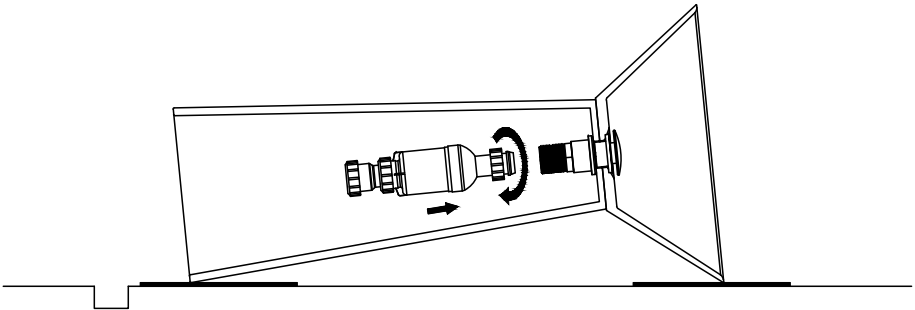
Install the Always Open Waste.



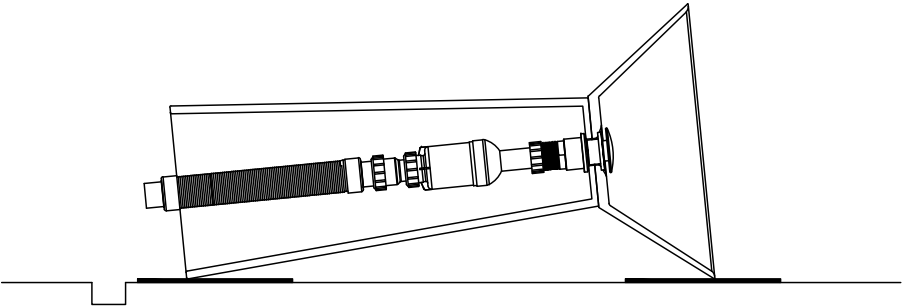
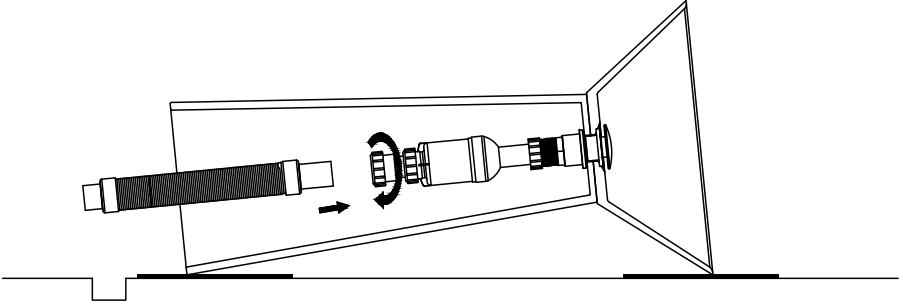
Install the Waste Extension.



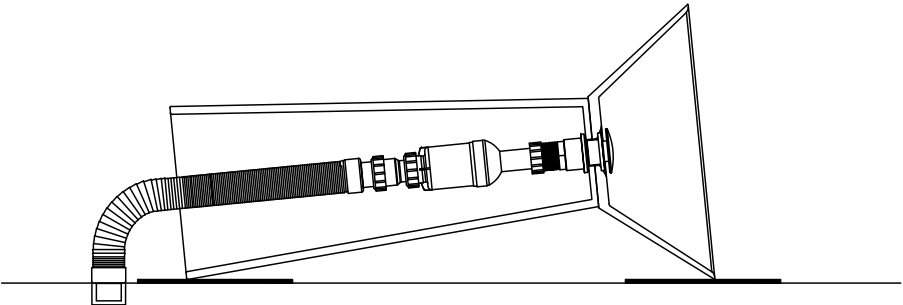
Install the Straight Trap.

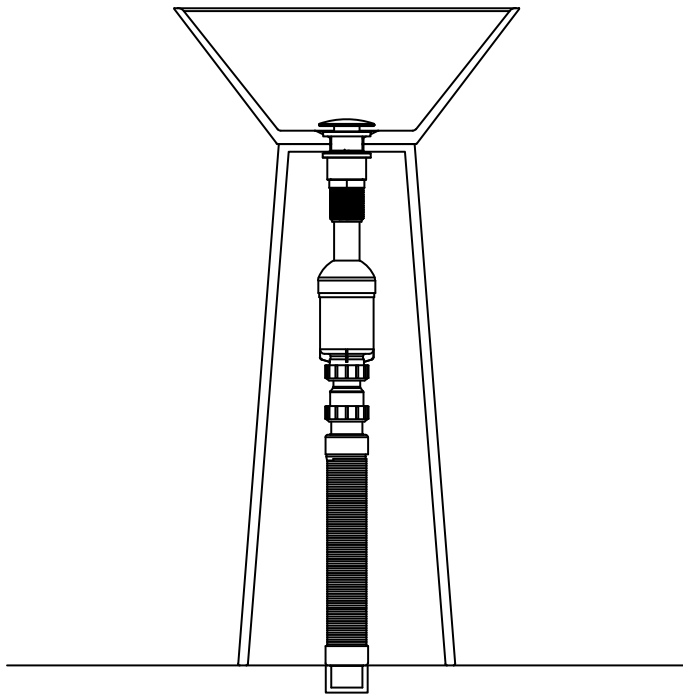


Install the Flexible Pipe.

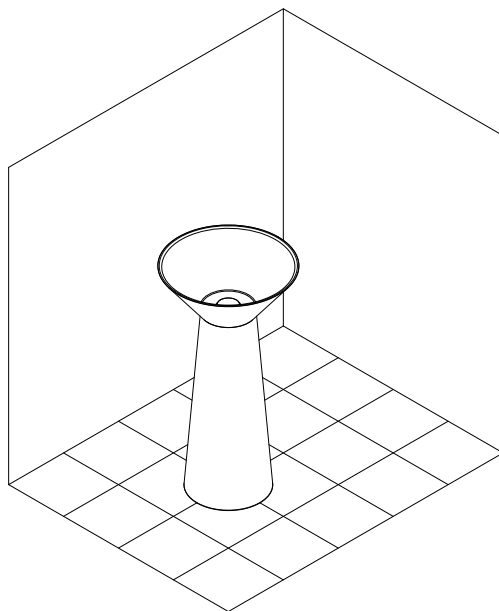


Connect the Flexible Pipe to the floor outlet hole.





Tilt and lift the basin to straight position it on the floor waste hole.



INSTALLATION COMPLETE!!!

BAGNODESIGN

EXPERTLY CRAFTED BATHROOMS

A member of SANIPEXGROUP
www.sanipexgroup.com