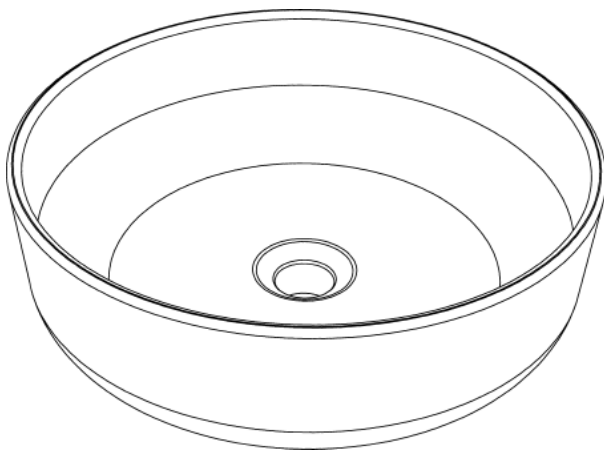


BAGNODESIGN

EXPERTLY CRAFTED BATHROOMS

Installation Guide



BDS-BOT-701-XX

BOTANICAL COUNTERTOP WASH BASIN DIA. 420MM

A member of **SANIPEXGROUP**
www.sanipexgroup.com

IMPORTANT PLEASE READ

Remove all packaging and check the product for missing parts or damage before starting installation.

Any alterations made to this product and fittings may infringe water regulations and invalidate the guarantee.

The Installation must comply with all Local/National Water Supply Authority Regulations/Byelaws and Building and Plumbing Regulations.

We strongly recommend that your product be installed by a reputable qualified trade's person.

General Installation:

Please note this product can require 2 or more persons to lift and manoeuvre into position.

To the installer: Please read and follow this instruction carefully, as the guarantee is only valid if the product is installed as directed.

Don't rush, read the instructions first and run through them before you begin. Keep fittings together to avoid loss. Do not over tighten screws or bolts.

If the unit is covered with polyethylene protective film, do not remove until installation is complete to grant maximum protection. However, remove film where any two surfaces will be in permanent contact.

Verify that all dimensions on the plan are the same as the ones of the product.

Please leave this installation manual with the end user once the product has been installed.

Product Aftercare:

We recommend cleaning with a soft damp cloth and mild soap solution.

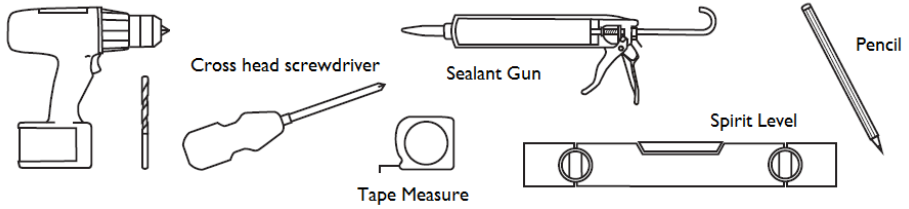
Do not use cream cleaners or cleaners containing bleach.

Do not scrub or scour.

Do not use abrasive cleaning agents.

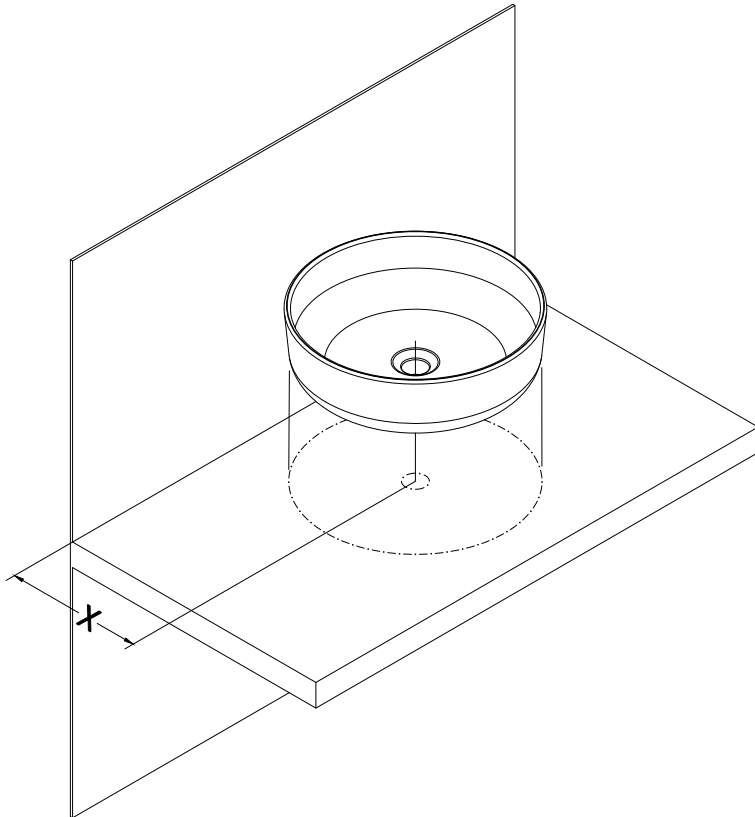
Do not use solvent based cleaners.

TOOLS REQUIRED (Not supplied)



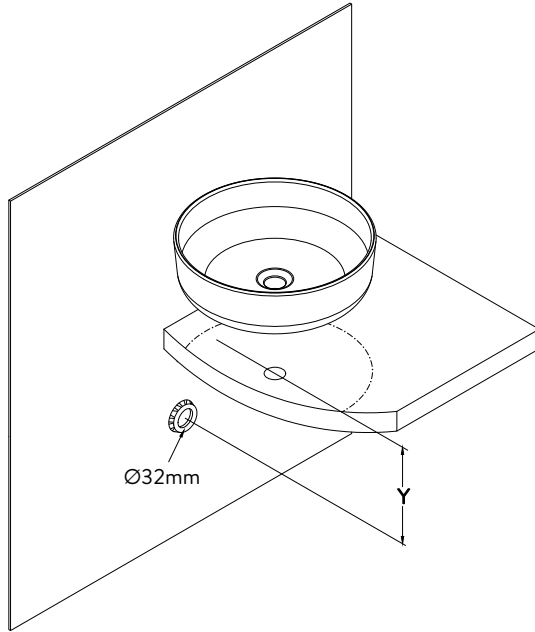
Drill, drill bits & hole-saw:

Required when drilling a wooden counter-top surface, for Marble/Stone counter-tops please use specialized cutting company.

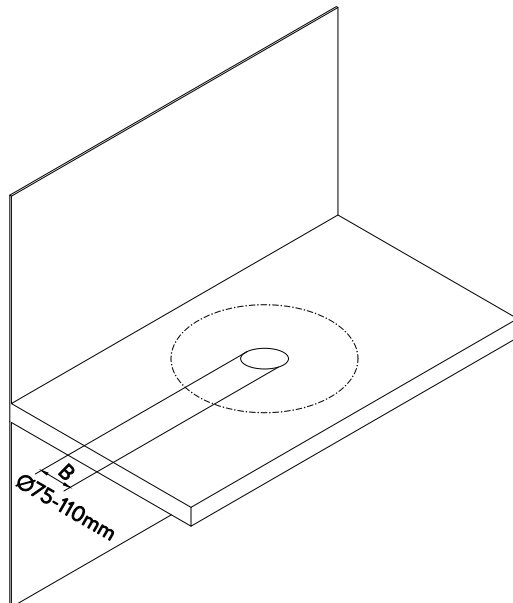


Place the basin on the counter-top, take notice of the spout length of the mixer so that the distance X is correct. Mark around the perimeter of the basin and waste hole.

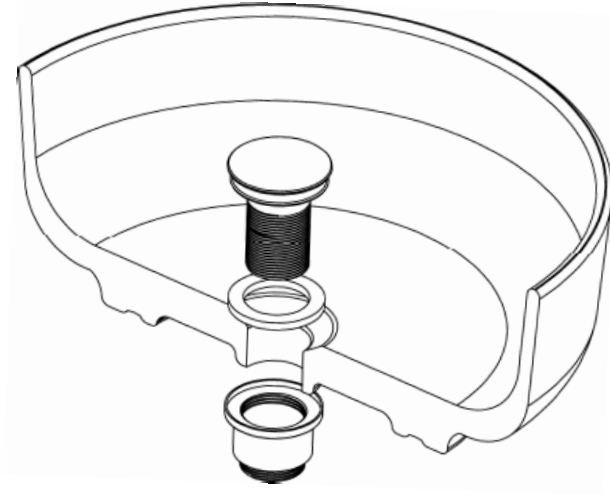
Check that the waste provision is in the correct place, check the bottle trap dimensions to ensure that the distance Y is achievable.



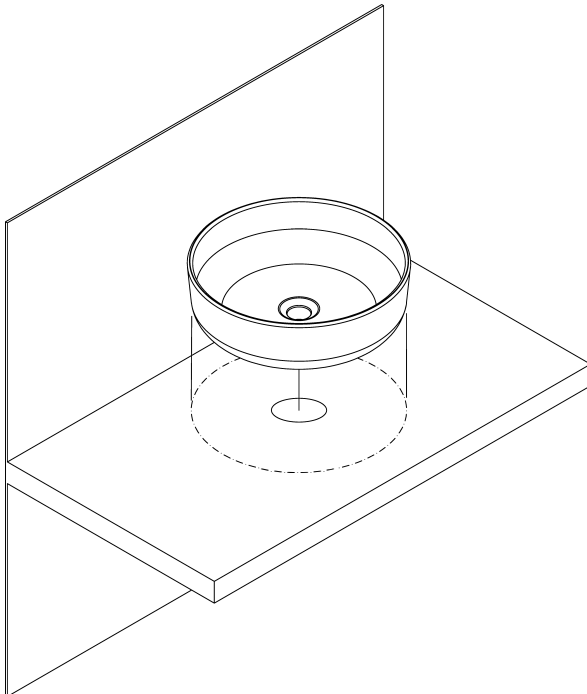
Drill waste hole allowing for the finished dimensions of the waste outlet. In this instance its B=75-110 mm, please check your corresponding waste outlet product.



Install the waste assembly into the basin.

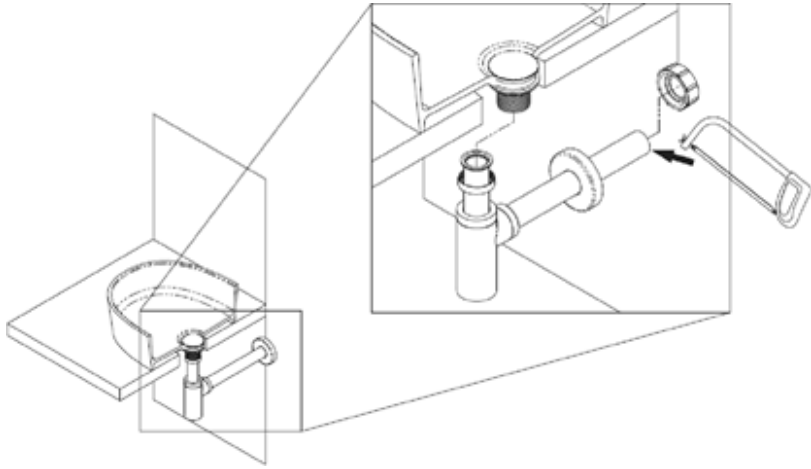


If required, place a few dots of silicon on the base of the basin, align, and place in position, allow the silicon to cure for a few hours.

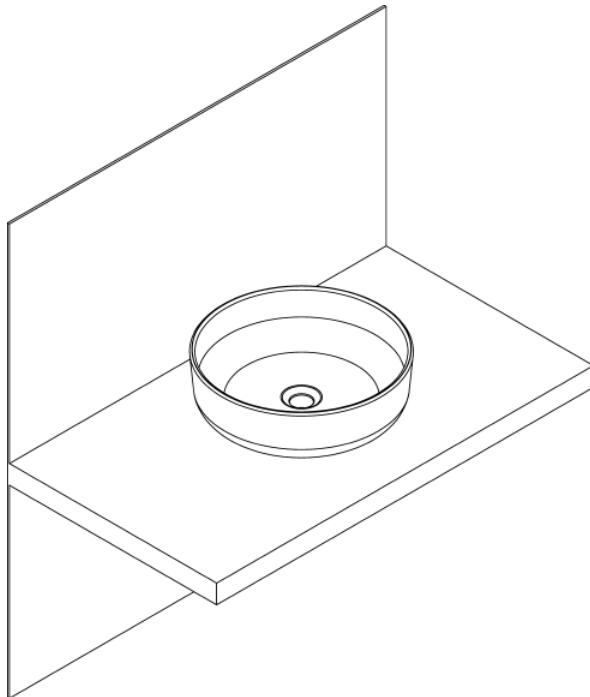


Install the bottle trap onto the waste, cut the horizontal pipe to length and install into the wall via a waste compression fitting or rubber socket.

If required run a small bead of silicon around the perimeter base.



INSTALLATION COMPLETE!!!



BAGNODESIGN

EXPERTLY CRAFTED BATHROOMS

A member of SANIPEXGROUP
www.sanipexgroup.com