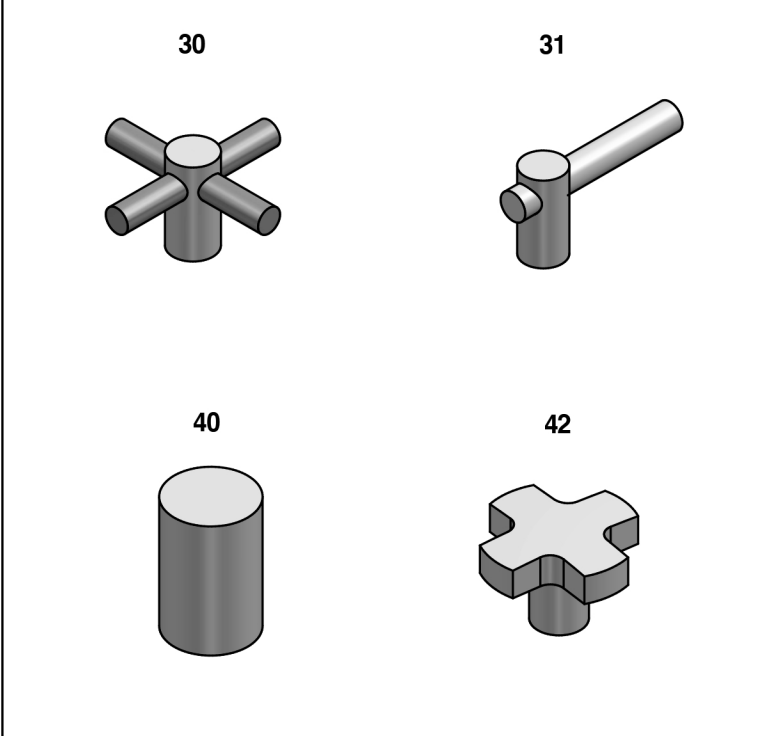
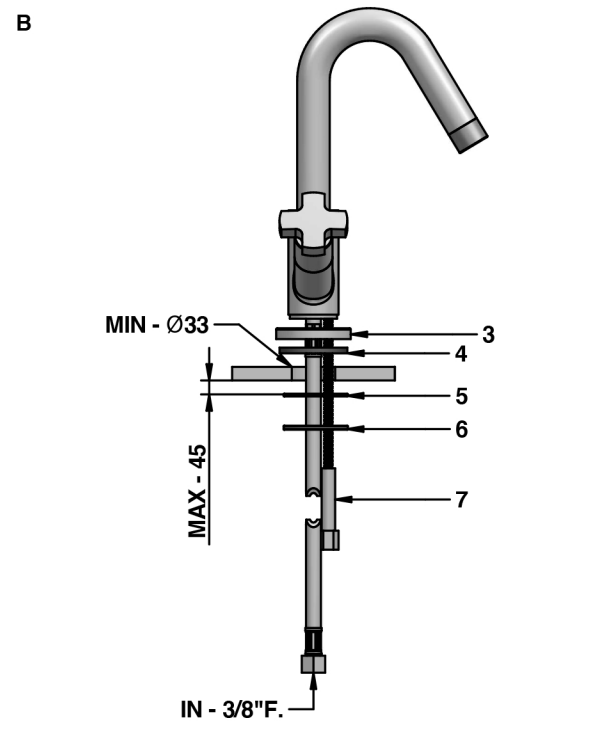
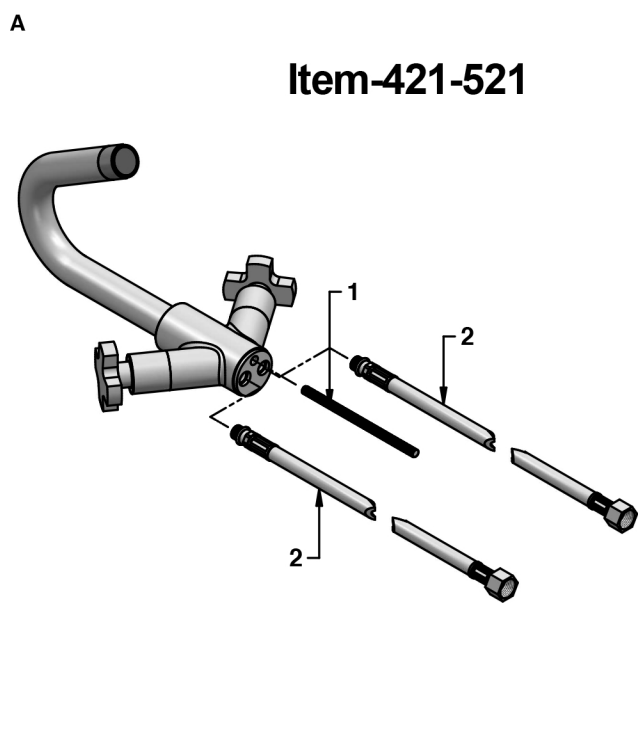
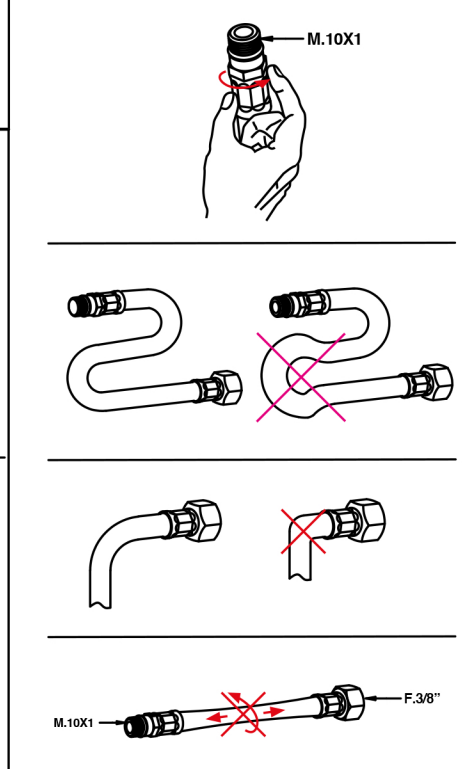
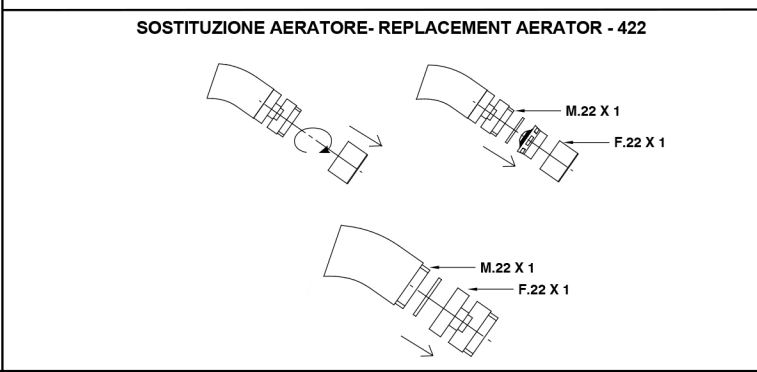
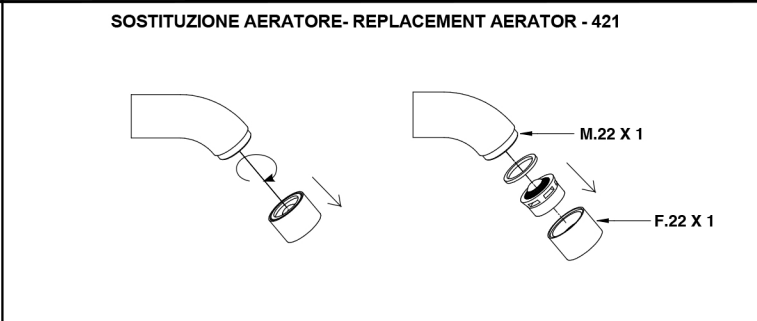
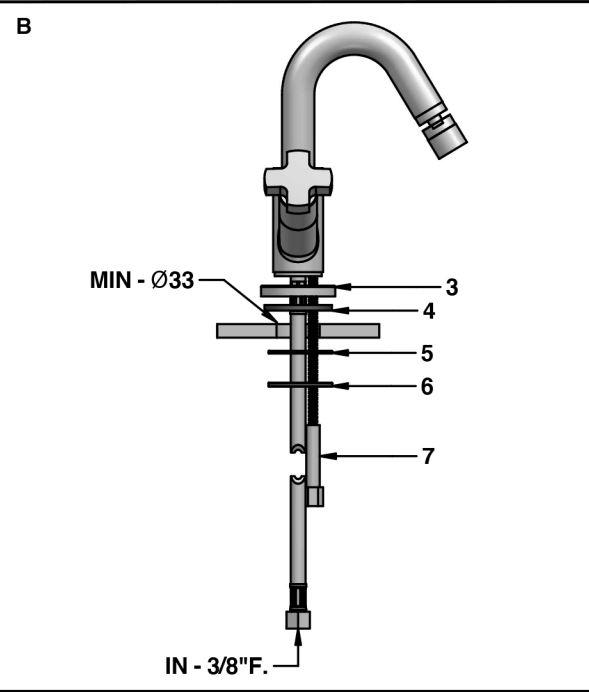
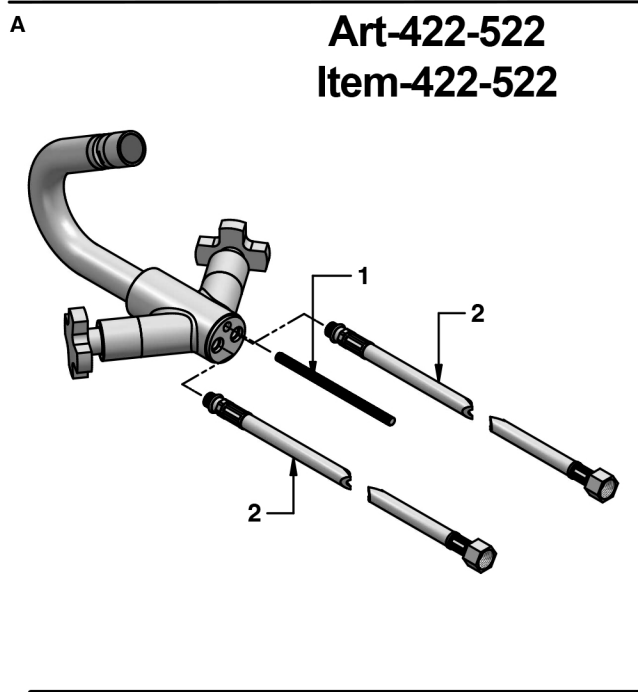


INSTALLATION INSTRUCTIONS



MINIMUM WORKING PRESSURE:.....0,5 bar
 MAX OPERATING PRESSURE :.....7 bar
 RECOMMENDED OPERATION PRESSURE :.....5 bar
 MAX HOT WATER TEMPERATURE :.....80°C
 RECOMMENDED HOT WATER TEMPERATURE :.....60°C

In case of operating pressures higher than 5 bar it is recommended to install a pressure reducer on the feeding tubes.



Installation Instruction
 For item - 30-31-42421-422
 40521-40522