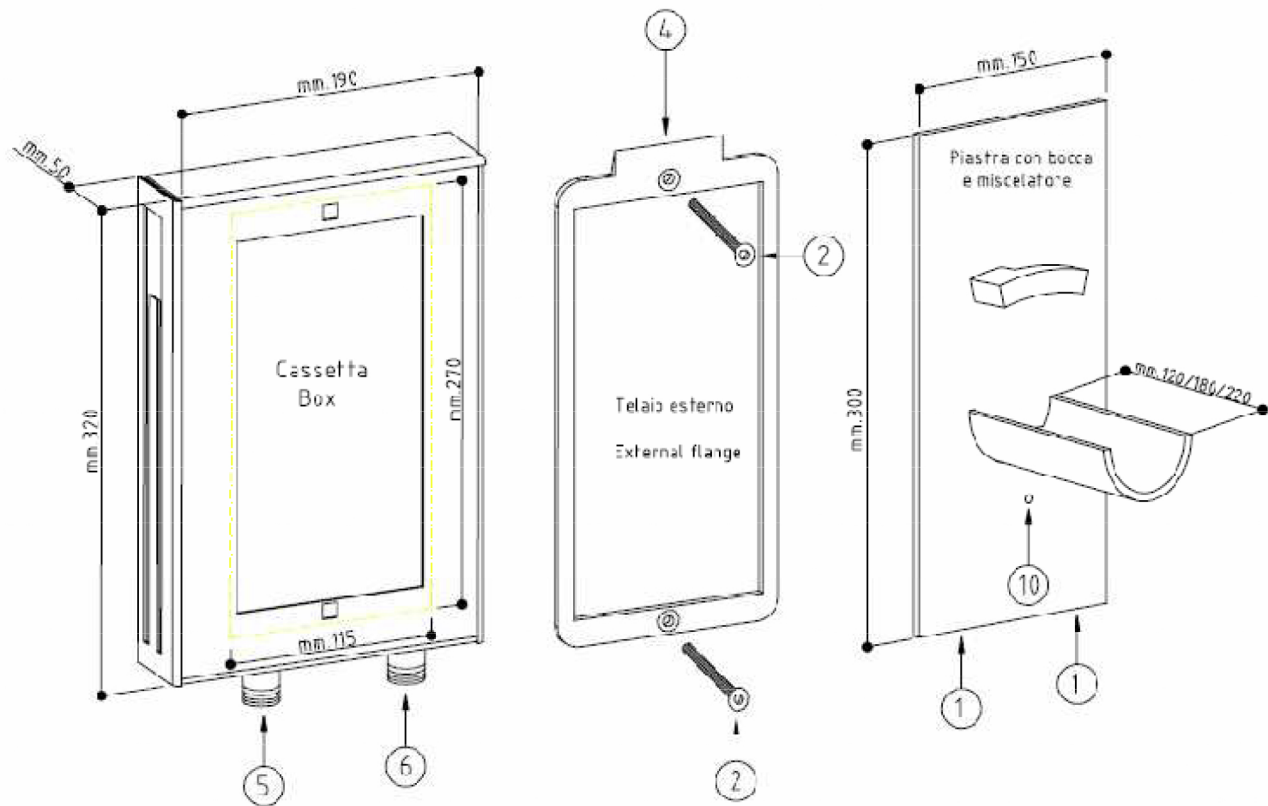
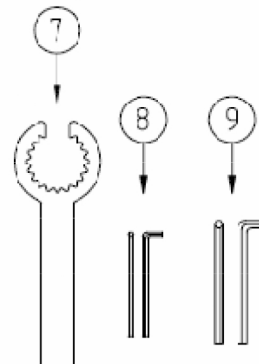


# INSTALLATION INSTRUCTIONS FOR BUILT-IN BASIN MIXER



**Key-set included  
in the packaging  
for the  
installation**



- A) *Unscrew the screws 1 and remove the complete external plate with the spout, mixer and mechanisms*
  - B) *Unscrew the screws 2 and remove the external flange*
  - C) *Fit the box connecting the hot water to the connection 5 and the cold water to the connection 6*
- Very important: the tiles have to reach exactly the coloured line marked on the front of the box**
- D) *Fix the external flange to the tiles with the screws 2, putting the part 4 at the upper side*
  - E) *Connect the flexible tail of the hot water to the connection 5 and the one of the cold water to the connection 6*
  - F) *Hook the external plate to the point 4 of the external flange, checking that the flexible tails are well located in the internal box*
  - G) *Lock the screws 1*
  - H) *Open the water and turn the mixer to the maximum flow*
  - I) *Insert the special key in the hole 10 and, turning the key, optimize the flow of the water*