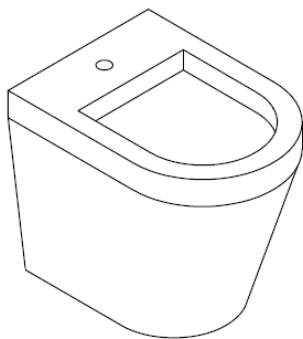


# BAGNODESIGN

EXPERTLY CRAFTED BATHROOMS

---

## General Installation Guide



BACK-TO-  
WALL  
BIDET

A member of  SANIPEXGROUP

Please leave these instructions with the customer



## IMPORTANT PLEASE READ

Remove all packaging and check the product for missing parts or damage before starting installation.

Any alterations made to this product and fittings may infringe water regulations and invalidate the guarantee.

The Installation must comply with all Local/National Water Supply Authority Regulations/Byelaws and Building and Plumbing Regulations.

We strongly recommend that your product be installed by a reputable qualified trade's person.

### **General Installation:**

**Please note this product can require 2 or more persons to lift and manoeuvre into position.**

The installation of the back to wall bidet may require previous installation of concealed pipework, please ensure correct distances and provisions are left for bidet Installation.

To the installer: Please read and follow this instruction carefully, as the guarantee is only valid if the product is installed as directed.

Don't rush, read the instructions first and run through them before you begin. Keep fittings together to avoid loss. Do not over tighten screws or bolts.

If the unit is covered with polyethylene protective film, do not remove until installation is complete to grant maximum protection. However, remove film where any two surfaces will be in permanent contact.

Verify that all dimensions on the plan are the same as the ones of the product.

Please leave this installation manual with the end user once the product has been installed.

### **Product Aftercare:**

We recommend cleaning with a soft damp cloth and mild soap solution.

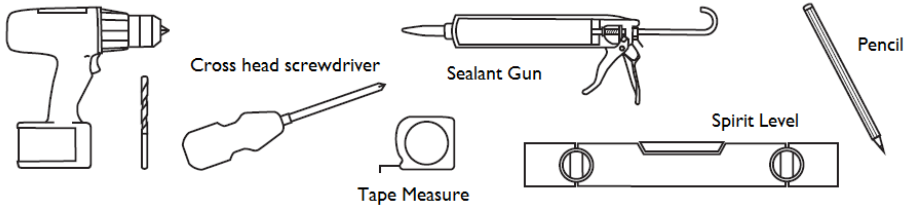
Do not use cream cleaners or cleaners containing bleach.

Do not scrub or scour.

Do not use abrasive cleaning agents.

Do not use solvent based cleaners.

## TOOLS REQUIRED (Not supplied)

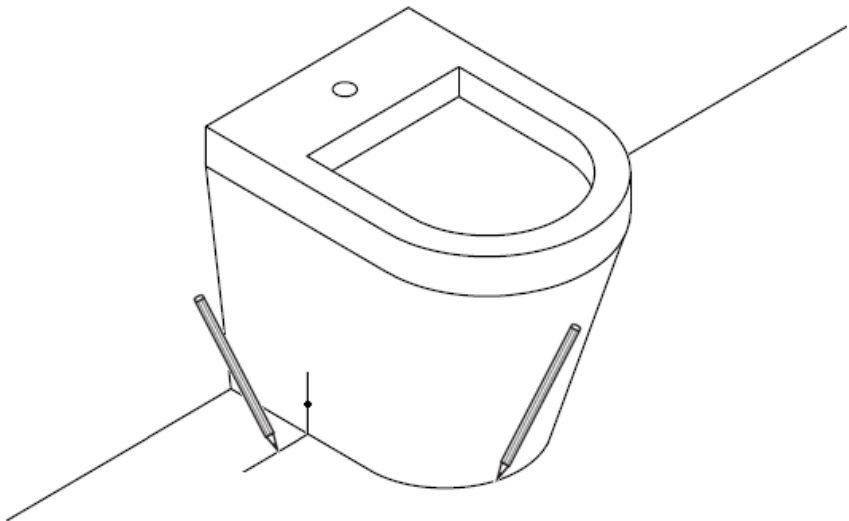


### Drill and drill bits

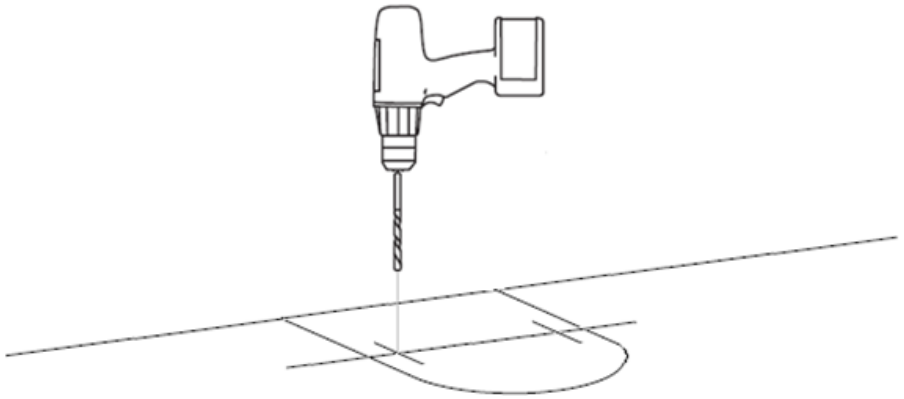
Required when securing the fixing kit to the floor. Use an appropriate size bit to match the floor fixing chosen (floor screws and fixings may not be supplied).

Remove the WC from the box and carefully remove the protective packaging.

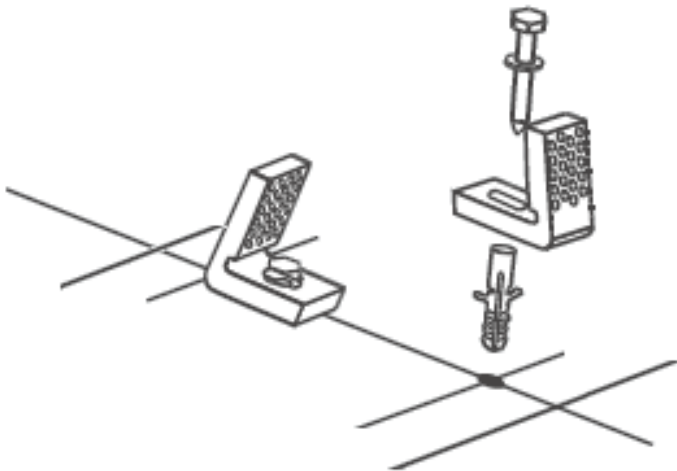
*NOTE: Before installing the WC, place a protective sheet in the installation area to prevent any Possible damage.*



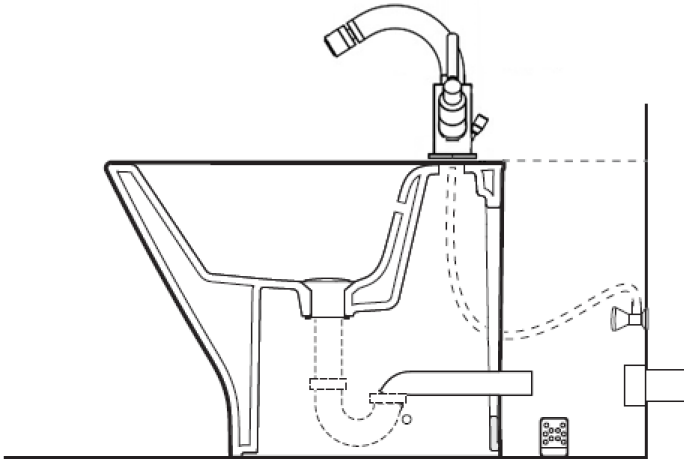
Place the bidet in position and draw around the base perimeter. Also draw a line parallel to the fixing holes.



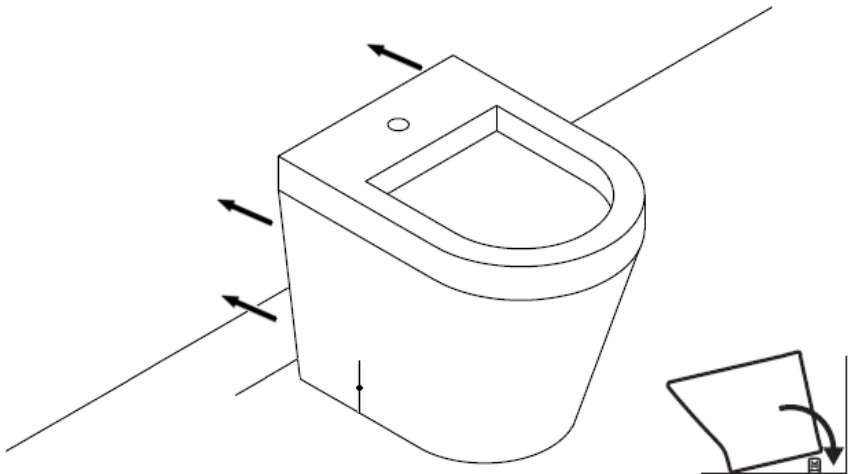
Remove the bidet from position and turn over, measure the thickness of the ceramic, add this dimension across the parallel lines. Where the 2 lines meet carefully drill and plug the holes.



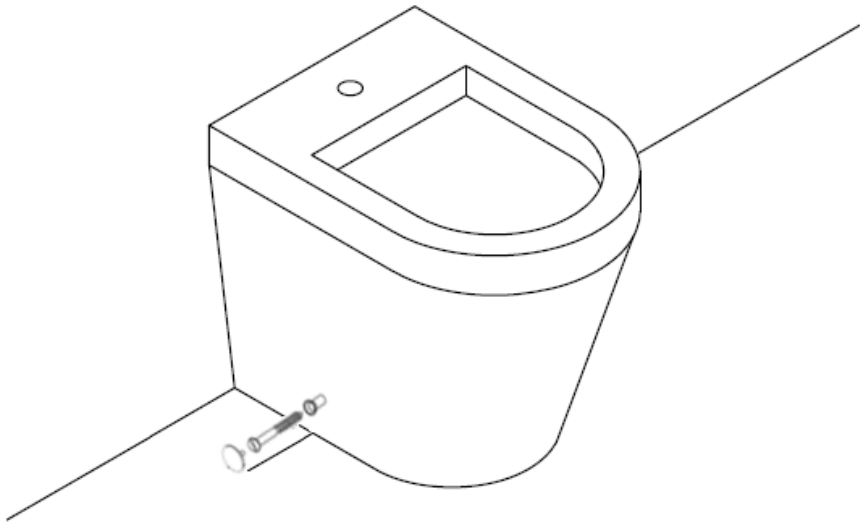
Install the fixing kit to the floor



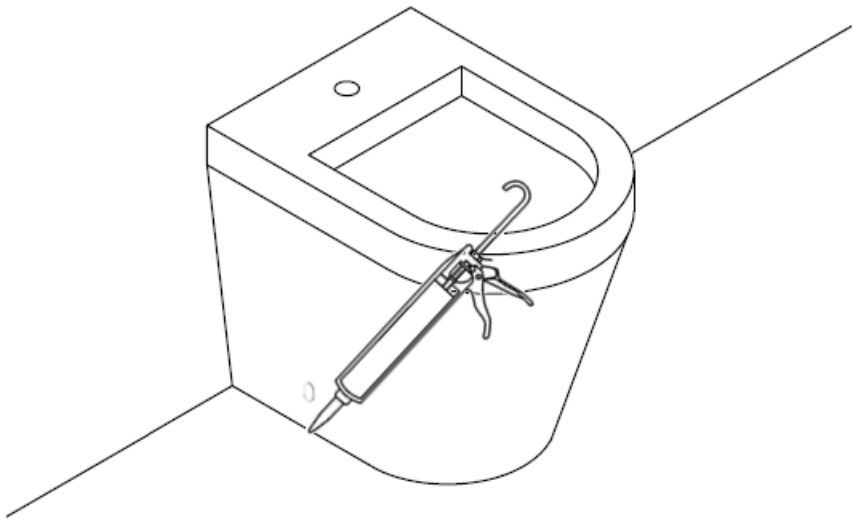
Install the desired **BAGNODESIGN** bidet mixer and waste, connect the supplies to the angle valve, turn on and test for leaks. Connect the bottle trap to the waste, align the pipework to the wall outlet.



Carefully lift the bidet over the fixing kit, then slide the bidet backward guiding the waste pipe into the wall outlet connection before fully pushing back to the wall, this should now line up with the existing drawn lines.



Secure the bidet to the fixing kit with the plastic sleeves and the screws. Fit the plastic cover caps over the heads of the screws.



Clean away the pencil lines and place a small bead of silicon around the bidet

***INSTALLATION COMPLETE!!!***

