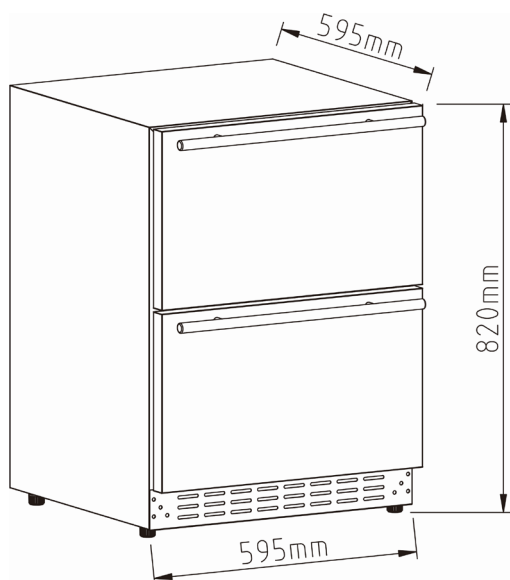

BYSTRO

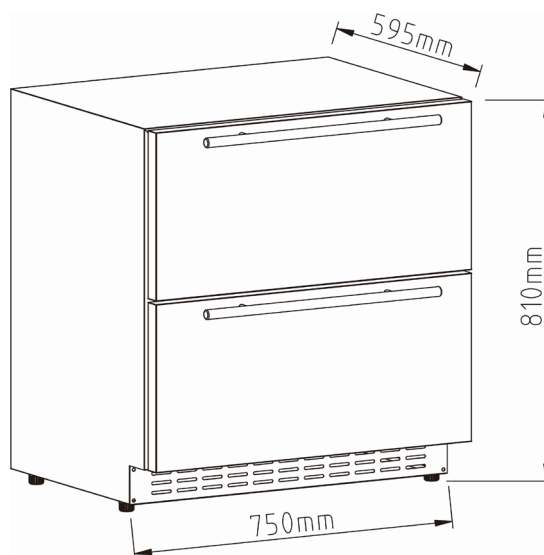
Models:

BYS-DR118



Models:

BYS-DR160



Instruction Manual

**BEFORE USE, PLEASE READ AND FOLLOW ALL SAFETY RULES
AND OPERATING INSTRUCTIONS. KEEP THIS MANUAL IN A SECURE LOCATION.**


IMPORTANT SAFETY INSTRUCTIONS

- Read all instructions before using the appliance.
- This appliance can be used by children aged from 8 years and above and persons with reduced physical, sensory or mental capabilities or lack of experience and knowledge if they have been given supervision or instruction concerning use of the appliance in a safe way and understand the hazards involved. Children shall not play with the appliance. Cleaning and user maintenance shall not be made by children without supervision.
- If the supply cord is damaged, it must be replaced by the manufacturer, its service agent or similarly qualified persons in order to avoid a hazard.
- **WARNING:** When positioning the appliance, ensure the supply cord is not trapped or damaged.
- **WARNING:** Do not locate multiple portable socket-outlets or portable power supplies at the rear of appliance.
- **WARNING:** Keep ventilation openings, in the appliance enclosure or in the built-in structure, clear of obstruction.
- **WARNING:** Do not use mechanical devices or other means to accelerate the defrosting process, other than those recommended by the manufacturer.
- **WARNING:** Do not damage the refrigerant circuit.
- **WARNING:** Do not use electrical appliances inside the food storage compartments of the appliance, unless they are of the type recommended by the manufacturer.
- Do not store explosive substances such as aerosol cans with a flammable propellant in this appliance.
- This appliance is intended to be used in household and similar applications such as
 - staff kitchen areas in shops, offices and other working environments;
 - farm houses and by clients in hotels, motels and other residential type environments;
 - bed and breakfast type environments;

- catering and similar non-retail applications.
- Plug into a grounded 3-prong outlet. Do not remove grounding prong, do not use an adapter, and do not use an extension cord.
- It is recommended that a separate circuit, serving only your appliance, be provided. Use receptacles that cannot be turned off by a switch or pull chain.
- Never clean appliance parts with flammable fluids. These fumes can create a fire hazard or explosion.
- Before proceeding with cleaning and maintenance operations, make sure the power line of the unit is disconnected.
- Do not connect or disconnect the electric plug when your hands are wet.
- Unplug the appliance or disconnect the power before cleaning or servicing. Failure to do so can result in electrical shock or death.
- Do not attempt to repair or replace any part of your appliance unless it is specifically recommended in this manual. All other servicing should be referred to a qualified technician.
- Do not store or use gasoline or any other flammable vapors and liquids in the vicinity of this or any other appliance. The fumes can create a fire hazard or explosion.
- Use two or more people to move/install the refrigerator. Failure to do so can result in back or other injury.
- To ensure proper ventilation for your appliance, the front of the unit must be completely unobstructed. Choose a well-ventilated area with temperatures above 50°F (10°C) and below 109°F (43°C). This unit must be installed in an area protected from the elements, such as wind, rain, water spray or drips.
- The appliance should not be located next to ovens, grills or other sources of high heat.

- The appliance must be installed with all electrical connections in accordance with state and local codes. A standard electrical supply (220-240V AC 50 Hz), properly grounded in accordance with the National Electrical Code and local codes and ordinances, is required.
- Do not kink or pinch the power supply cord of the appliance.
- The fuse (or circuit breaker) size should be 10 amps or higher.
- It is important for the appliance to be leveled in order to work properly. You may need to make several adjustments to level it.
- Although the unit has been tested at the factory, due to transit and storage, you should clean the appliance before use.
- Do not use alcohol-based, solvent-based cleaning agents or abrasives on the interior. These cleaners may damage or discolor the interior.
- Do not use this apparatus for other than residential purposes.
- This appliance is CFC- and HFC-free and contains small quantities of Isobutane (R600a) which is environmentally friendly, but flammable. It does not damage the ozone layer, nor does it increase the greenhouse effect. Care must be taken during transportation and setting up of the appliance that no parts of the cooling system are damaged. Leaking coolant can ignite and may damage the eyes.
- In the event of any damage:
 - Avoid open flames and anything that creates a spark,
 - Disconnect from the electrical power line,
 - Air the room in which the appliance is located for several minutes, and
 - Contact the Service Department for advice.
- The more coolant there is in an appliance, the larger the room it should be installed in. In the event of a leakage, if

the appliance is in a small room, there is the danger of combustible gases building up. For every ounce of coolant, at least 325 cubic feet of room space is required. The amount of coolant in the appliance is stated on the data plate on the back of the appliance. It is hazardous for anyone other than an authorized Service Person to carry out servicing or repairs to this appliance.

- Take serious care when handling, moving, and using the appliance to avoid either damaging the refrigerant tubing or increasing the risk of a leak.
- Replacing component parts and servicing shall be done by factory authorized service personnel so as to minimize the risk of possible ignition due to incorrect parts or improper service.
- When you dispose the appliance, take off the door and leave the shelves in place so that children may not easily climb inside. And make sure the coolant circuit, particularly the heat exchanger at the back/bottom of the unit is not be damaged.
-  The recycle symbol on the product or its packaging indicates that this product is not to be handled as normal household waste and it is to be taken to a recycling collection point for electrical and electronic goods.
- The appliance must be positioned so that the plug is accessible after installed.

- **SAVE THESE INSTRUCTIONS** -

INSTALLATION INSTRUCTIONS

Before Using Your Appliance

- Remove the exterior and interior packing.
- Before connecting the appliance to the power source, let it stand upright for approximately 2 hours. This will reduce the possibility of a malfunction in the cooling system from handling during transportation.
- Clean the interior surface with lukewarm water using a soft cloth.
- Install the handle on the left side of the door using the screws that are provided.

Installation of Your Appliance

- This appliance is designed for free standing or built-in (fully recessed) installation.
- Place your appliance on a floor that is strong enough to support it when it is fully loaded. To level your appliance, adjust the front leveling legs at the bottom.
- Locate the appliance away from direct sunlight and sources of heat (stove, heater, radiator, etc.). Direct sunlight may affect the acrylic coating and heat sources may increase electrical consumption. Extremely cold ambient temperatures may also cause the unit not to perform properly.
- Avoid locating the unit in moist areas.
- Plug the appliance into an exclusive, properly installed and grounded wall outlet. Do not under any circumstances cut or remove the third (ground) prong from the power cord. Any questions concerning power and/or grounding should be directed toward a certified and authorized products service center.
- This appliance is intended to be installed in a space between two units.

The minimum space required is:

BYS-DR118 - 605mm wide × 605mm deep × 825mm high

BYS-DR160 - 760mm wide × 605mm deep × 815mm high

Please note: When the product is installed, there should be a small ventilation gap between the top of the unit and the underside of any fitting above (6mm or 1/4").

Installation of the Handle

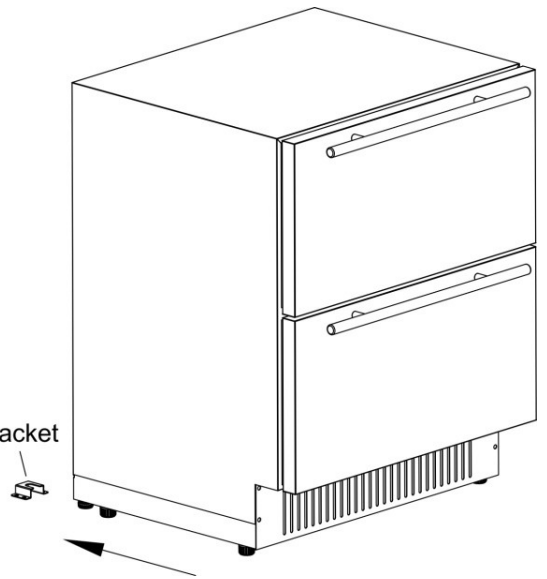
- To install the handle, please follow these instructions:
- Carefully pull the door gasket (seal) away from the door in the area where the handle will be attached.
- Place the handle over the screw holes on the outside of the door. The screws will attach through the back of the drawer front.
- Secure the handle with the screws that have been provided.
- Press the door gasket back into its groove.

Anti-Tip Bracket Installation

To reduce the risk of tipping the appliance by abnormal usage or improper loading, the appliance must be secured by properly installing the anti-tip bracket packed with the appliance.

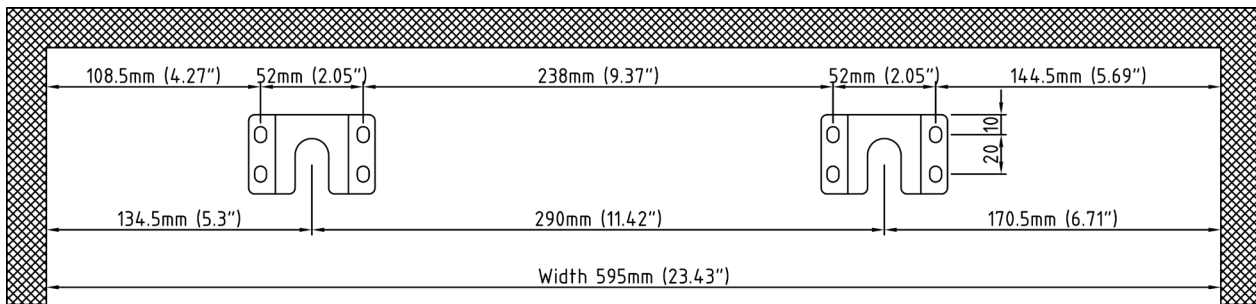
1. Place the anti-tip bracket on the floor as shown in the figure to the right.
2. Mark the locations of the 8 holes of the anti-tip bracket on the floor.
3. Use an 11/50" masonry drill bit and insert plastic anchors.
4. Secure the anti-tip bracket to the floor, using screws.
5. Slide the appliance into position, and make sure the leg engages the anti-tip bracket.

Anti-tip Bracket

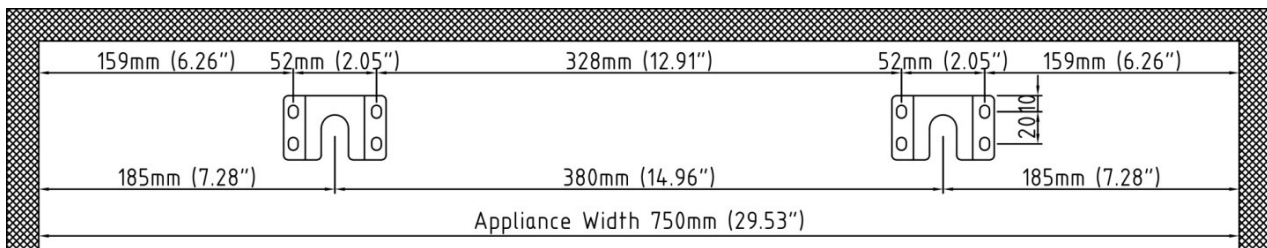


The measurements for the anti-tip bracket installation are illustrated below:

Models: **BYS-DR118**



Models: **BYS-DR160**

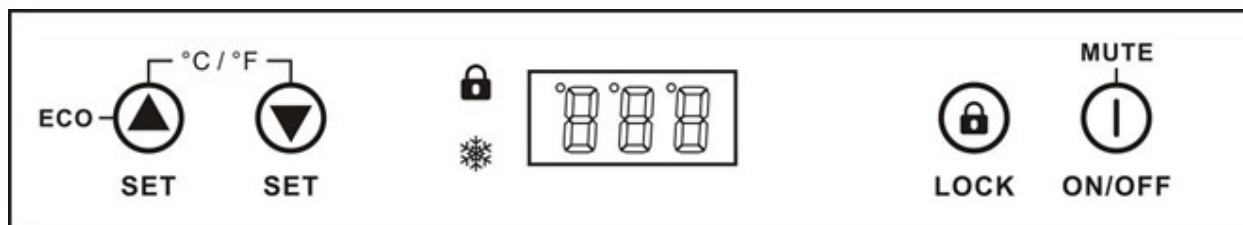


NOTE: If the appliance is relocated, the bracket must be removed and installed in the new location.

OPERATING YOUR APPLIANCE

- The appliance should be placed where the ambient temperature is between 10~43°C (50~109°F). If the ambient temperature is above or below this range, the performance of the unit may be affected. Placing your unit in extreme cold or hot conditions may cause interior temperatures to fluctuate.
- Connect power cord to a properly grounded outlet.
- This appliance is equipped with Memory IC – should there be a power interruption, unit will auto recover at last setting.

Control Panel



ON/OFF Power / Mute

- To turn the appliance on or off, press and hold the ON/OFF button for 3 seconds. When the appliance is running, the ❄️ symbol will be illuminated.
- When the door is open more than 5 minutes, an alarm will sound. The compressor and outer fan will stop working. Press ① one time to stop the alarm from sounding until the door closed.

Setting the Temperature

- Adjustable temperature: 34°F to 65°F (1°C to 18°C)
- Set the desired temperature by pressing the corresponding buttons, ▲ to increase or ▼ to decrease. Each press is a 1-degree increment. Once released, the set temperature will flash for approximately 5 seconds then revert to display the internal temperature.
- To view your set temperature, press either the ▲ or ▼ button once, and the LED display will flash the set temperature for 5 seconds.
- The appliance has the capability to display temperature in either Celsius or Fahrenheit. To change the temperature scale, press and hold both ▲ ▼ buttons simultaneously for approx. 3 seconds.

NOTE: The temperature inside may vary slightly depending on where the stored items are located (upper/middle or lower section).

Smart Control Mode

- When the door is opened, the inner light automatically turns on, and the inner fan stops.
- When the door is closed, the inner light automatically turns off.
- **Door Open Alarm:** When the door is opened for longer than 5 minutes, an alarm will sound, and the compressor and outer fan will stop working.

Force Quitting Smart Control Mode

Press and hold the buttons ▼ and ① simultaneously for 5 seconds, the small dot in the upper left corner of the LED will illuminate.

- After quitting the smart control mode, the alarm will not sound when the door is open for more than 5 minutes.

NOTE: The interior light can only be controlled by pressing the button ①.

- Press and hold the buttons ▼ and ① simultaneously for 5 seconds to re-enter the Smart control mode.

ECO Mode

- Press and hold the ▲ button for 3 seconds, it can enter or exit ECO mode.
- In this mode, the interior LED light, the compressor indicator ❄️ and the temperature value on the display panel will be turned off and the ° will illuminate on the upper left corner of °C / °F.

Demo Mode

- Press and hold buttons ▲, ▼ and 🔒 simultaneously for 10 seconds, it can enter or exit demo mode.
- In this mode, the display panel can operate settings, but the temperature is fixed display 54°F (12°C), and all fans and the compressor will not start.

LOCK

Press and hold 🔒 for 3 seconds to lock or unlock the control panel. The 🔒 indicator will illuminate when the control panel is locked.

Sabbath Mode

- Press and hold buttons ▲ and ⏸ at the same time for at least 5 seconds to enter or exit Sabbath mode. In this mode, LED will display "Sb". This mode turns off the displays, and the interior light and prevents them from turning on again. Normal cooling operations will still take place. The compressor and the fan work normally.
- When the cabinet powers off, it will not automatically exit Sabbath mode, and it will keep Sabbath mode when it powers on again. The Sabbath Mode will automatically turn off after 96 hours

Defrosting

- The appliance defrosts automatically in normal operating conditions.
- The evaporator behind the rear wall of the appliance defrosts automatically. The condensate collects in the drainage channel behind the rear wall of the appliance and flows through the drainage hole into the drip tray by the compressor where it evaporates.
- However, frost may accumulate on the evaporator if the appliance is repeatedly opened in a high heat or high humidity location. If this frost pattern does not clear within 24 hours, your appliance will require manual defrosting.

Manual Defrost Mode

Press the 🔒 and ⏸ at one time for 10 seconds enter the manual defrost mode.

CARE AND MAINTENANCE

Cleaning Your Appliance

1. Turn off the power, unplug the appliance, and remove all items.
2. Wash the inside surfaces with a warm water and baking soda solution. The solution should consist of about 2 tablespoons of baking soda to a quart of water.
3. Wring excess water out of the sponge or cloth when cleaning the area of the controls or any electrical parts.
4. Wash the exterior of the cooler with a warm solution of mild liquid detergent. Rinse well and wipe dry with a clean soft cloth.

Power Failure

Most power failures are corrected within a few hours. If your power is going to be off for a longer period of time, you need to take the proper steps to protect your contents.

Transporting Your Appliance

If you need to move your appliance once the box has been discarded:

1. Securely tape down all loose items inside your appliance.
2. Turn the adjustable legs up to the base to avoid damage.
3. Be sure the appliance stays secure in the upright position during transportation. Also protect the outside of the appliance with a blanket or similar item.

Energy-Saving Tip

The appliance should be located in the coolest area of the room, away from heat-producing appliances and out of direct sunlight.

PROBLEMS WITH YOUR APPLIANCE

You can solve many common problems easily, saving you the cost of a possible service call. Try the suggestions below to see if you can solve the problem before calling the servicer.

TROUBLESHOOTING GUIDE

PROBLEM	POSSIBLE CAUSE	REMEDY
Appliance does not operate.	<ul style="list-style-type: none"> • The unit defrosts automatically in normal operating conditions. • The appliance is turned off. • Tripped circuit breaker or a blown fuse. 	<ul style="list-style-type: none"> • Connect the appliance. • Switch on the appliance. • Switch on the circuit breaker or replace the fuse.
Appliance is not cold enough.	<ul style="list-style-type: none"> • The temperature is not set correctly. • The ambient temperature could require a lower temperature setting. • The condenser is too dirty. • The ventilation opening is blocked or too dusty. 	<ul style="list-style-type: none"> • Check the set temperature. • Set a lower temperature. • Clean the condenser when necessary. • Clear the obstructions and wipe off the dust.
Appliance turns itself on and off frequently.	<ul style="list-style-type: none"> • The room temperature is higher than average. • A large number of bottles has been added to the unit. 	<ul style="list-style-type: none"> • Put the appliance in a cooler place. • Leave the appliance to work for a while until the set temperature has been reached.
The light does not work.	<ul style="list-style-type: none"> • Appliance is not connected to a power supply. • Tripped circuit breaker or a blown fuse. • The light was switched off on the control panel. 	<ul style="list-style-type: none"> • Connect the appliance. • Switch on the circuit breaker or replace the fuse. • Switch on the light.
Vibrations	<ul style="list-style-type: none"> • The appliance is not properly level. 	<ul style="list-style-type: none"> • Level the appliance with the adjustable feet.
The appliance seems to make too much noise.	<p>The rattling noise may come from the flow of the refrigerant, which is normal. As each cycle ends, you may hear gurgling sounds caused by the flow of refrigerant in your appliance.</p> <p>If temperature fluctuations occur, the contraction and expansion of the inner walls may cause popping and crackling noises.</p>	
	<ul style="list-style-type: none"> • The appliance is not properly level. 	<ul style="list-style-type: none"> • Level the appliance with the adjustable feet.
Display “E1”, “E2”.	<ul style="list-style-type: none"> • “E1” or “E2” indicates that the air temperature sensor has failed. 	<ul style="list-style-type: none"> • Call for service.