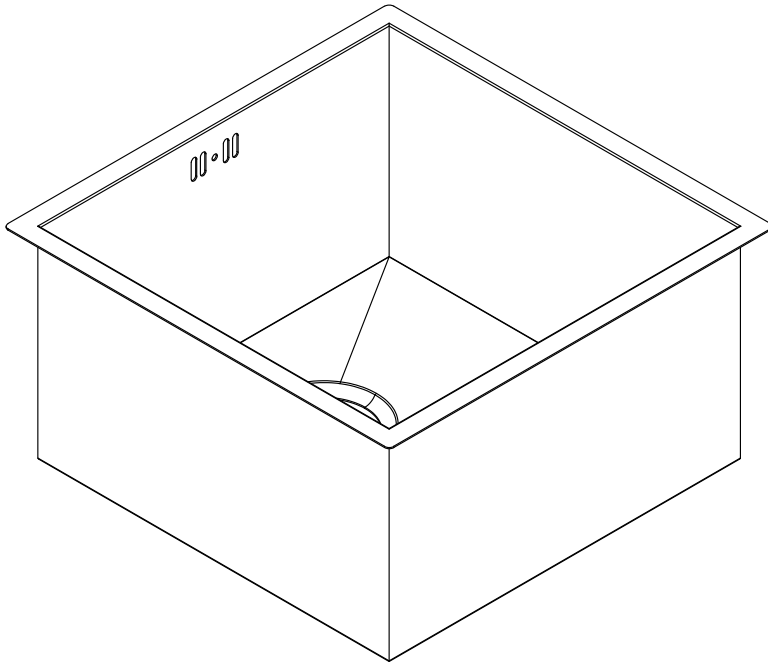


BYSTRO

Installation Guide



INS-BYS-ECO-4242-U-SS

UNDERMOUNT SINGLE BOWL SINK 420X420 MM

A member of **SANIPEXGROUP**
www.sanipexgroup.com

IMPORTANT PLEASE READ

Remove all packaging and check the product for missing parts or damage before starting installation.

Any alterations made to this product and fittings may infringe water regulations and invalidate the guarantee.

The Installation must comply with all Local/National Water Supply Authority Regulations/Byelaws and Building and Plumbing Regulations.

We strongly recommend that your product be installed by a reputable qualified trade's person.

General Installation:

Please note this product can require 2 or more persons to lift and maneuver into position.

To the installer: Please read and follow this instruction carefully, as the guarantee is only valid if the product is installed as directed.

Don't rush, read the instructions first and run through them before you begin. Keep fittings together to avoid loss. Do not over tighten screws or bolts.

If the unit is covered with polyethylene protective film, do not remove until installation is complete to grant maximum protection. However, remove film where any two surfaces will be in permanent contact.

Verify that all dimensions on the plan are the same as the ones of the product.

Please leave this installation manual with the end user once the product has been installed.

Product Aftercare:

We recommend cleaning with a soft damp cloth and mild soap solution.

Do not use cream cleaners or cleaners containing bleach.

Do not scrub or scour.

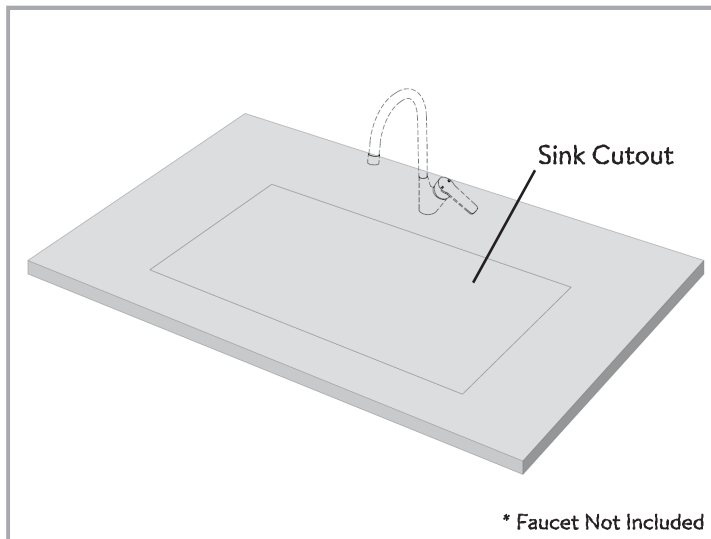
Do not use abrasive cleaning agents.

Do not use solvent based cleaners.

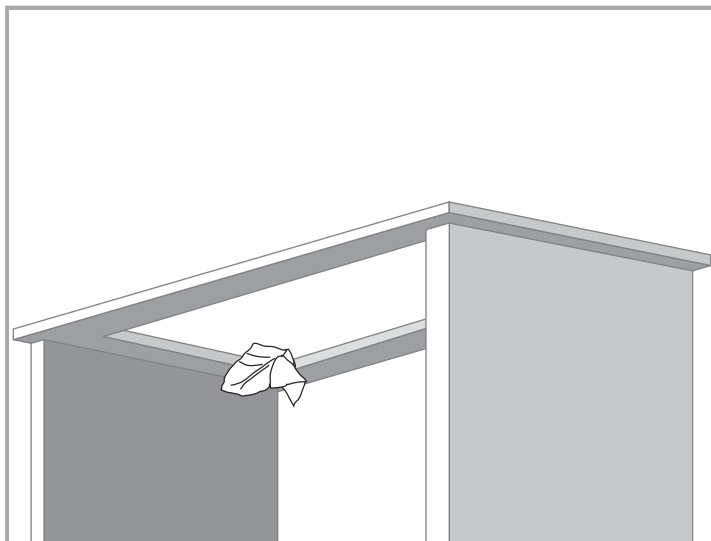
NOTICE! It is highly recommended the sink to be installed by a professional installer.

Installation:

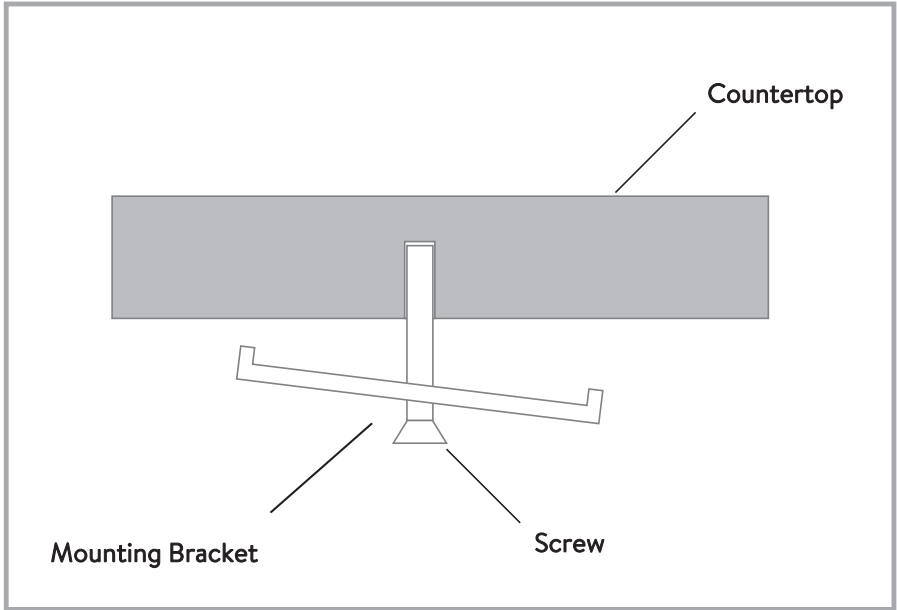
1. Provide your countertop fabricator with the included cut-out template to determine the size of the opening and the placement of the sink. When determining anchor locations, allow space for faucet clearance.



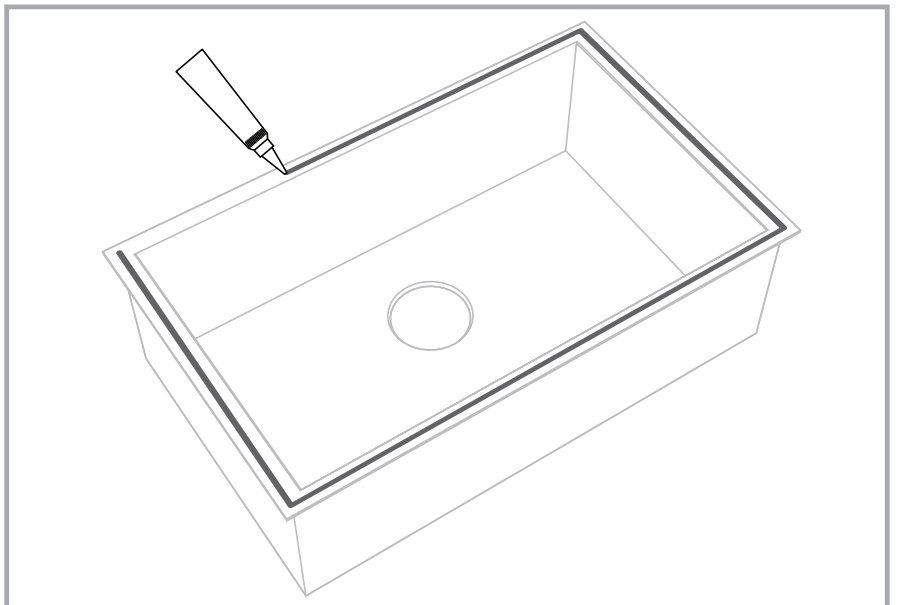
2. Clean the top and underside of the counter top and the rim of the sink before installation.



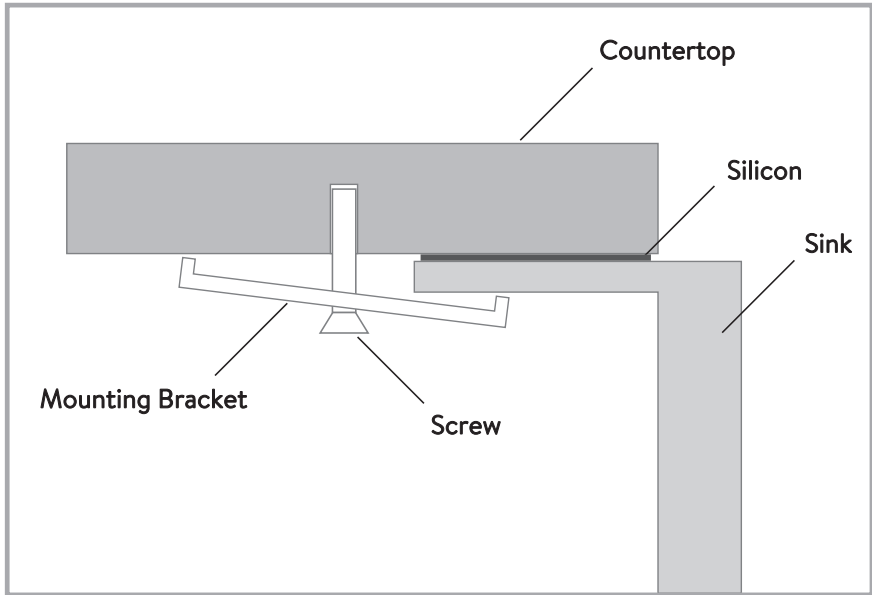
3. Loosely attach the mounting brackets to the underside of the countertop top.



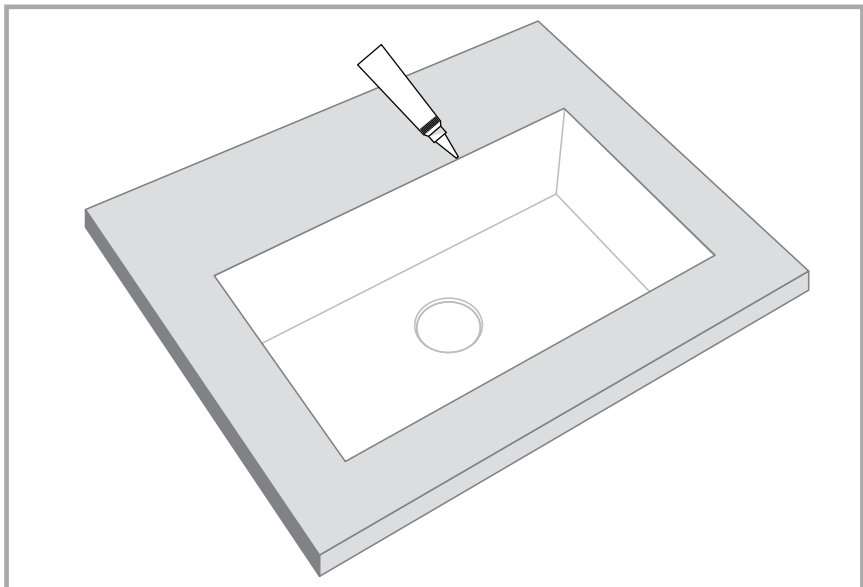
4. Apply a bead of silicon sealant around the edges of the sink.



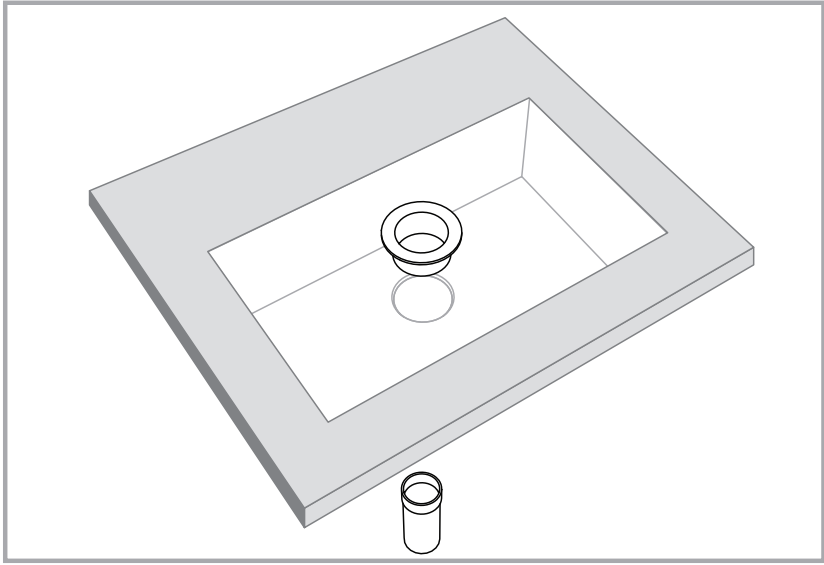
5. Lift the sink into place and tighten the mounting brackets evenly.
(WARNING: Do not overtighten!)



6. Apply a bead of silicon sealant at the edge of the sink fill any gap. Wipe away any excess silicon and allow to dry.



7. Install drain assembly (not included).



INSTALLATION COMPLETE!!!

BYSTRO
