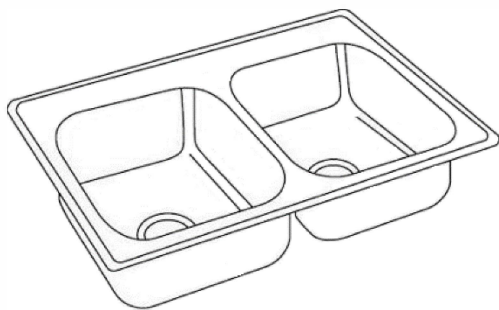


BYSTRO

General Installation Guide



IX304

Stainless steel sinks

A member of  SANIPEXGROUP

Please leave these instructions with the customer

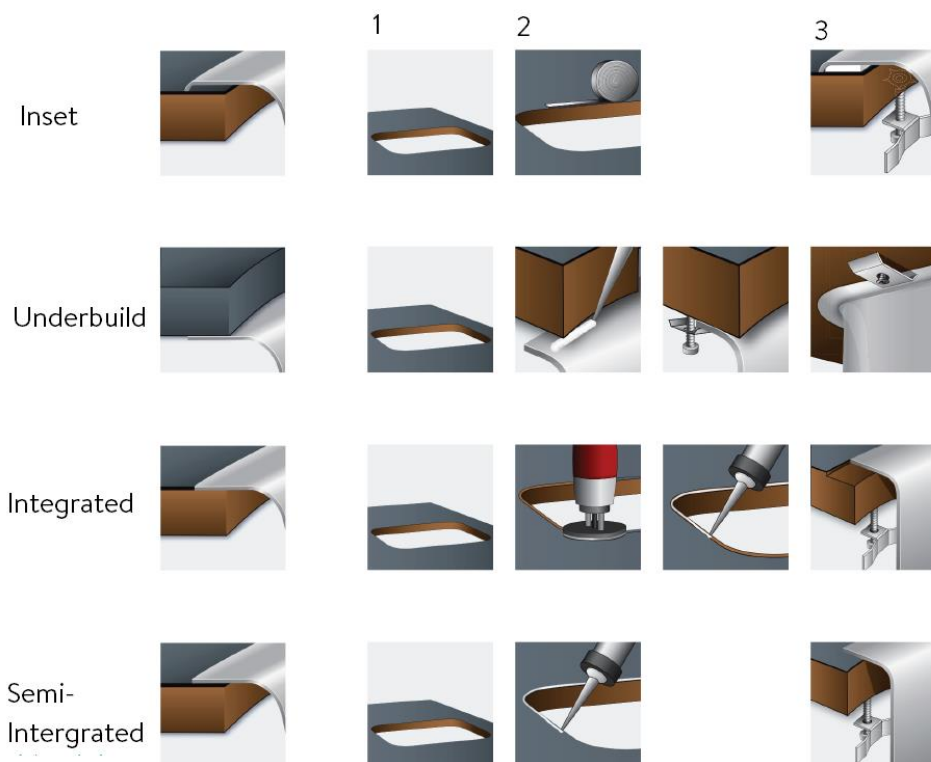
Installation Instructions

Step 1 Cut-out the worktop according to the template or using the CAD files that can be requested through productdata@sanipexgroup.com.

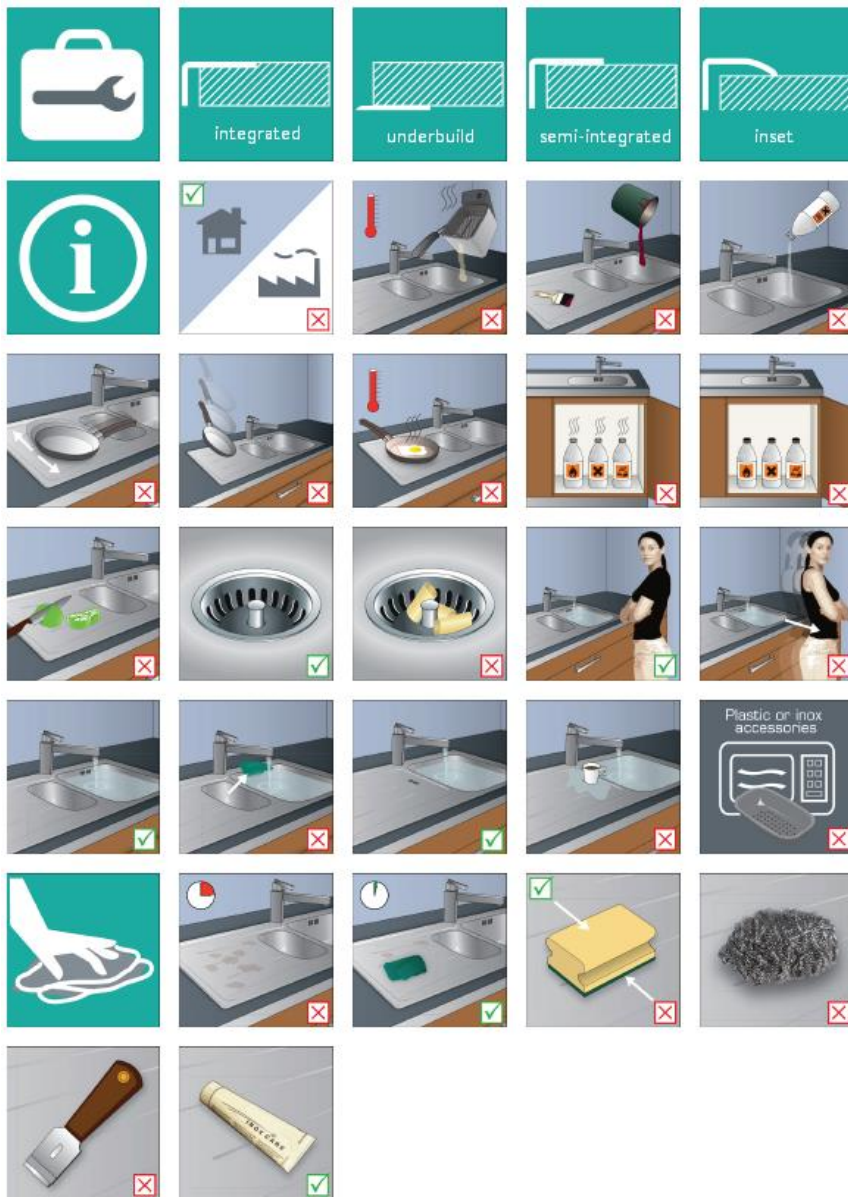
*NOTE: Cut-out template is provided as a guide only. Before cutting countertops ensure that sink dimensions exactly match that of the template. **BYSTRO** is not responsible for incorrect cutting.*

Step 2 Install the sink.
Clean the worktop-bottom and the top edge of the sink with acetone. Then apply a bead of silicone adhesive sealant to the brim of the bowl and place the bowl on/under the countertop.

Step 3 Fix the clips.



Product Aftercare:



We recommend cleaning with a soft damp cloth and mild soap solution.

Do not use cream cleaners or cleaners containing bleach.

Do not scrub or scour.

Do not use abrasive cleaning agents.

Do not use solvent based cleaners.

BYSTRO

A member of  SANIPEXGROUP