

BAGNODESIGN

EXPERTLY CRAFTED BATHROOMS

General Installation Guide



CLOSE-
COUPLED
WC

A member of  SANIPEXGROUP

Please leave these instructions with the customer

IMPORTANT PLEASE READ

Remove all packaging and check the product for missing parts or damage before starting installation.

Any alterations made to this product and fittings may infringe water regulations and invalidate the guarantee.

The Installation must comply with all Local/National Water Supply Authority Regulations/Byelaws and Building and Plumbing Regulations.

We strongly recommend that your product be installed by a reputable qualified trade's person.

General Installation:

Please note this product can require 2 or more persons to lift and manoeuvre into position.

The installation of the back to wall WC may require previous installation of water supply and waste pipework, please ensure correct distances and provisions are left for WC Installation.

To the installer: Please read and follow this instruction carefully, as the guarantee is only valid if the product is installed as directed.

Don't rush, read the instructions first and run through them before you begin. Keep fittings together to avoid loss. Do not over tighten screws or bolts.

If the unit is covered with polyethylene protective film, do not remove until installation is complete to grant maximum protection. However, remove film where any two surfaces will be in permanent contact.

Verify that all dimensions on the plan are the same as the ones of the product.

Please leave this installation manual with the end user once the product has been installed.

Product Aftercare:

We recommend cleaning with a soft damp cloth and mild soap solution.

Do not use cream cleaners or cleaners containing bleach.

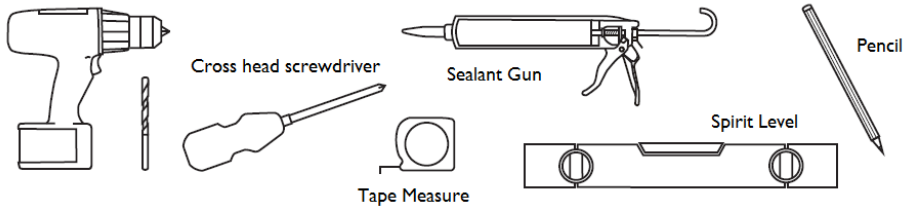
Do not scrub or scour.

Do not use abrasive cleaning agents.

Do not use solvent based cleaners.

This installation guide is for reference only. In case there is a discrepancy between that of the instructions and that of the actual product, the latter should be taken as standard. The rights of modification are reserved.

TOOLS REQUIRED (Not supplied)



Drill and drill bits

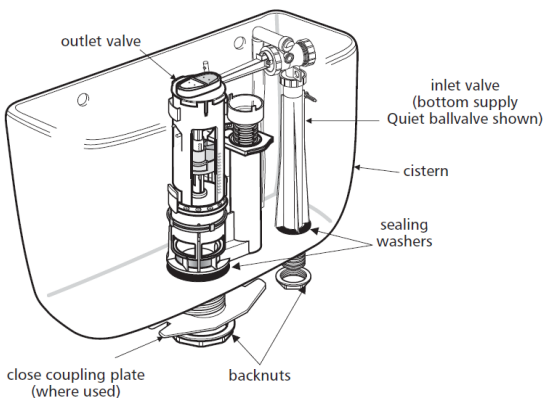
Required when securing the fixing kit to the floor and the Cistern to the wall. Use an appropriate size bit to match the fixing chosen (floor/wall screws and fixings may not be supplied).

Remove the WC and cistern from the box and carefully remove the protective packaging.

NOTE: Before installing the WC, place a protective sheet in the installation area to prevent any possible damage.

Cistern Components/Mechanism Installation

Remove the WC Cistern from the box and carefully remove the protective packaging.



Outlet Valve

To be installed centrally with sealing washer. Back-nut to be screwed on until tight.

Inlet Valve

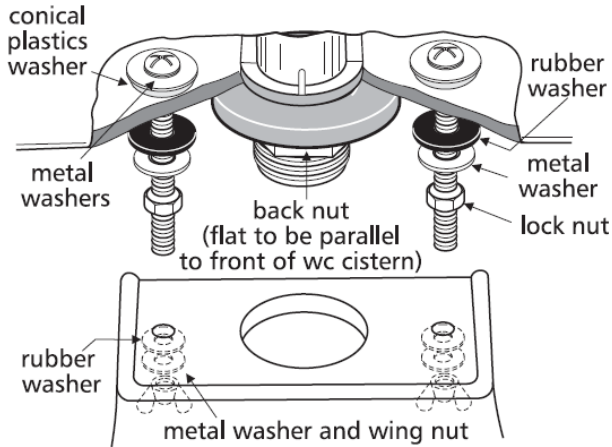
Can be installed on the Left or Right hand side as per site supply conditions.

When in position the lever arm should move freely without obstruction.

To be installed with supplied sealing washer. Back-nut to be screwed on until tight.

NOTE: Waterproof sealant should not be used to seal, as this will have a detrimental effect on submerged rubber seals

Preparing the cistern for fitting to WC pan



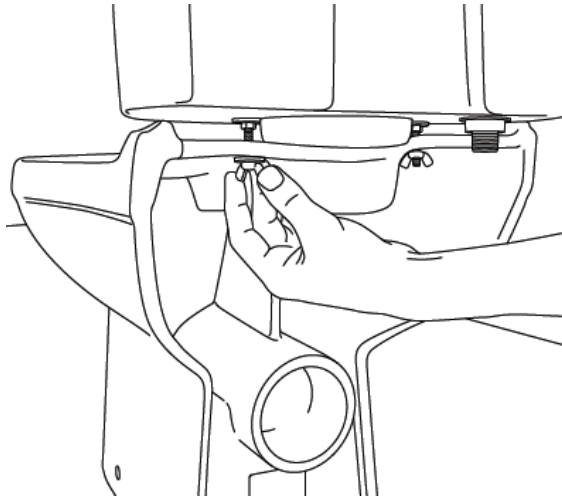
Push sponge close coupled washer onto back-nut, this will ensure centralization before assembling to the WC pan.

TIP: Screw wing-nuts and washers to the threaded bolts to stop them from being misplaced before attaching to WC pan.

WC Pan installation

Gently lower the cistern body into place, the two threaded bars should fit smoothly through the two corresponding hole in the pan. Also make sure the foam seal in correctly positioned.

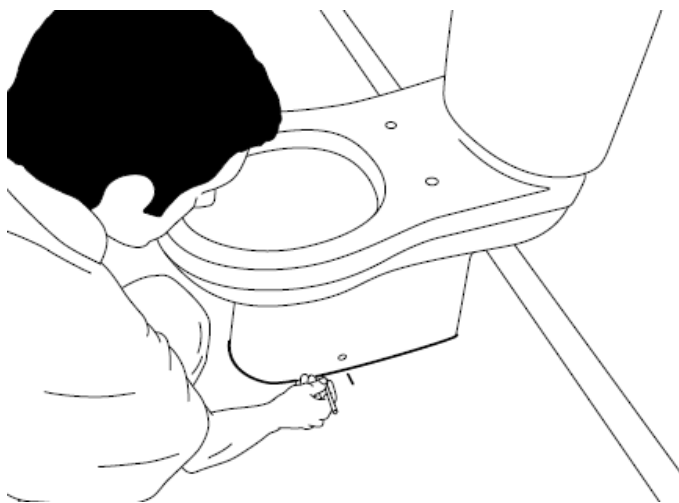




Locate the wing nuts and washers, and screw these onto the threaded bar until they are finger tight. This will secure the cistern to the pan.

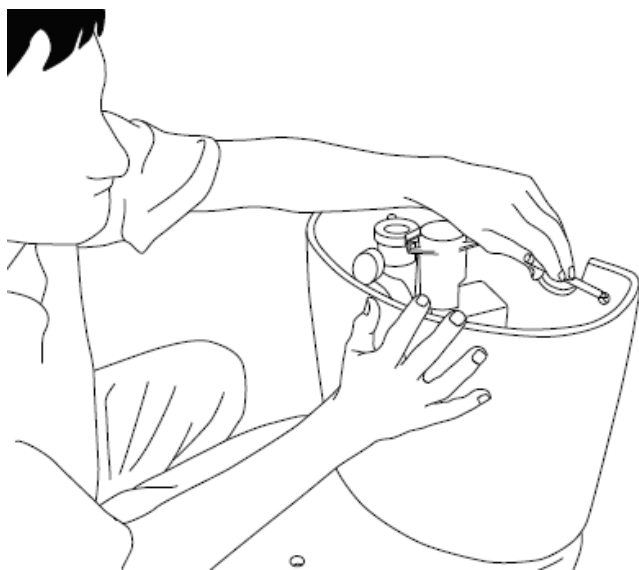


Position the assembled close coupled WC in the desired position, align with the pre-existing water and waste provision and level accordingly.

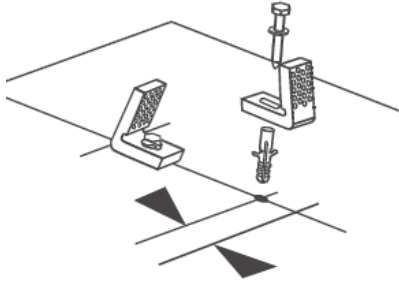


Carefully mark around the base of the pan, also mark a parallel line to show the position of the side fixing holes.

NOTE: If L-shaped fixing kit is not required simply mark through WC pan holes onto the floor.

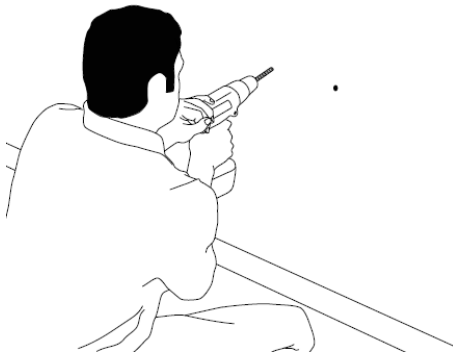
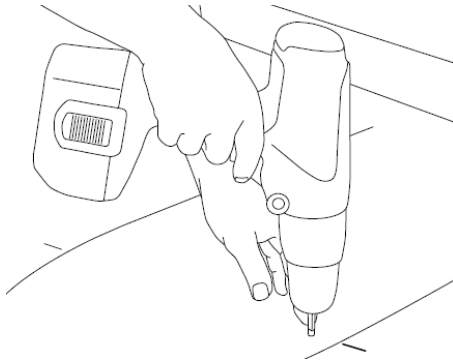


Mark the two wall fixings (if applicable) inside the cistern ensuring that the assembly remains level. The Close coupled WC can then be removed from desired position.

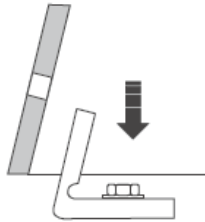


From the base mark line, measure in 30-40mm, and draw a line connecting the two side fixing hole positions. Carefully drill and plug.

NOTE: Thickness of WC may vary, 30-40mm tolerance may need to be increased.



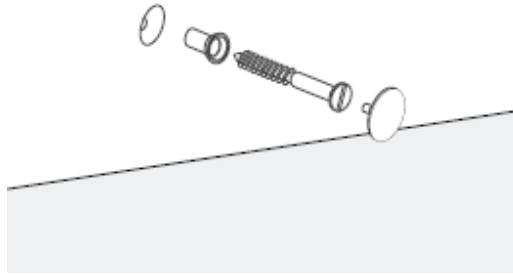
Drill the floor and wall markings and plug with appropriate fixing



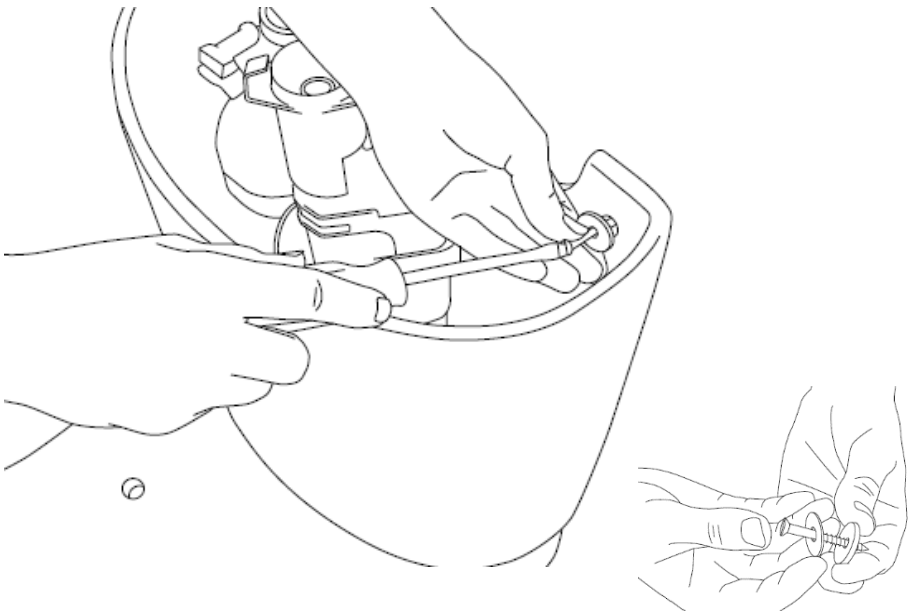
Carefully lift and place the WC over the fixing kit making sure that the fixing kit lines up with the floor mark and side fixing holes.



Place the WC in final position and attach water and waste connections. This would be a good time to check the assembly for leakages.



Install the rubber sleeve through the screw and tighten to the side of the WC. Simply then push the screw cap over to complete.



Screw the cistern body to the wall using the appropriate fixings

TIP: Slide a metal washer along with a rubber washer on the screw before fixing to cistern.



Place the cistern lid on to the cistern and screw the push button assembly until tight.
This now successfully completes the Close-Coupled WC

INSTALLATION COMPLETE!!!

