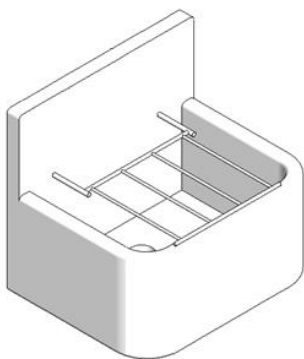


BAGNODESIGN

EXPERTLY CRAFTED BATHROOMS

General Installation Guide



CLEANERS SINK

A member of  SANIPEXGROUP

Please leave these instructions with the customer

IMPORTANT PLEASE READ

Remove all packaging and check the product for missing parts or damage before starting installation.

Any alterations made to this product and fittings may infringe water regulations and invalidate the guarantee.

The Installation must comply with all Local/National Water Supply Authority Regulations/Byelaws and Building and Plumbing Regulations.

We strongly recommend that your product be installed by a reputable qualified trade's person.

General Installation:

To the installer: Please read and follow this instruction carefully, as the guarantee is only valid if the product is installed as directed.

Don't rush, read the instructions first and run through them before you begin. Keep fittings together to avoid loss. Do not over tighten screws or bolts.

If the unit is covered with polyethylene protective film, do not remove until installation is complete to grant maximum protection. However, remove film where any two surfaces will be in permanent contact.

Verify that all dimensions on the plan are the same as the ones of the product.

Please leave this installation manual with the end user once the product has been installed.

Product Aftercare:

We recommend cleaning with a soft damp cloth and mild soap solution.

Do not use cream cleaners or cleaners containing bleach.

Do not scrub or scour.

Do not use abrasive cleaning agents.

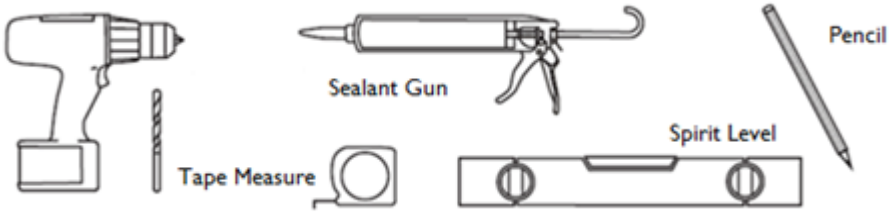
Do not use solvent based cleaners.

Environmental Protection:



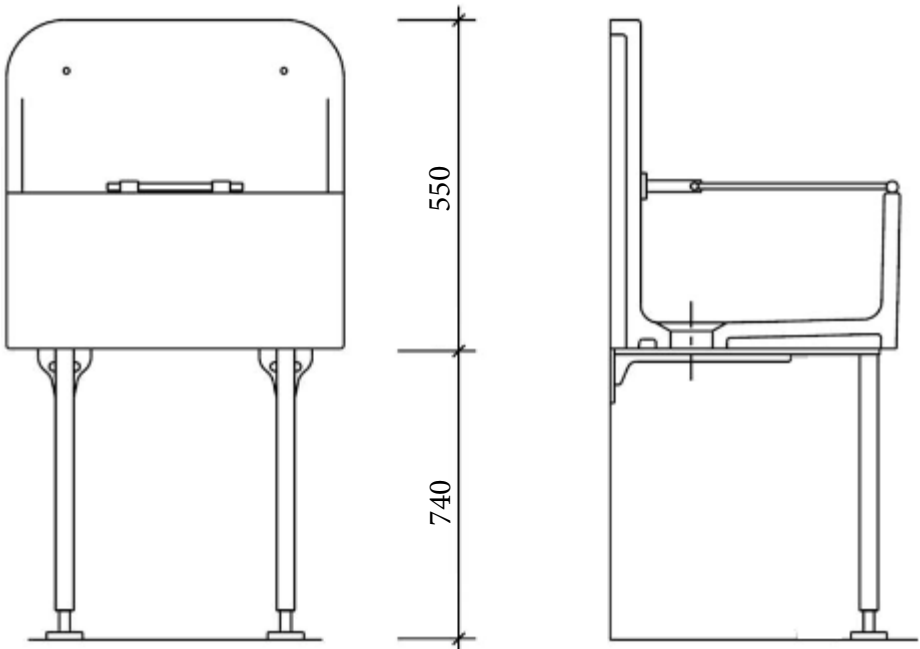
This marking indicates that this product should not be disposed with other household waste. To prevent possible harm to the environment or human health from uncontrolled waste disposal, recycle it responsibly to promote sustainable re-use of material resources. Please recycle where facilities exist. Check with your local authority for recycling advice.

TOOLS REQUIRED (Not supplied)

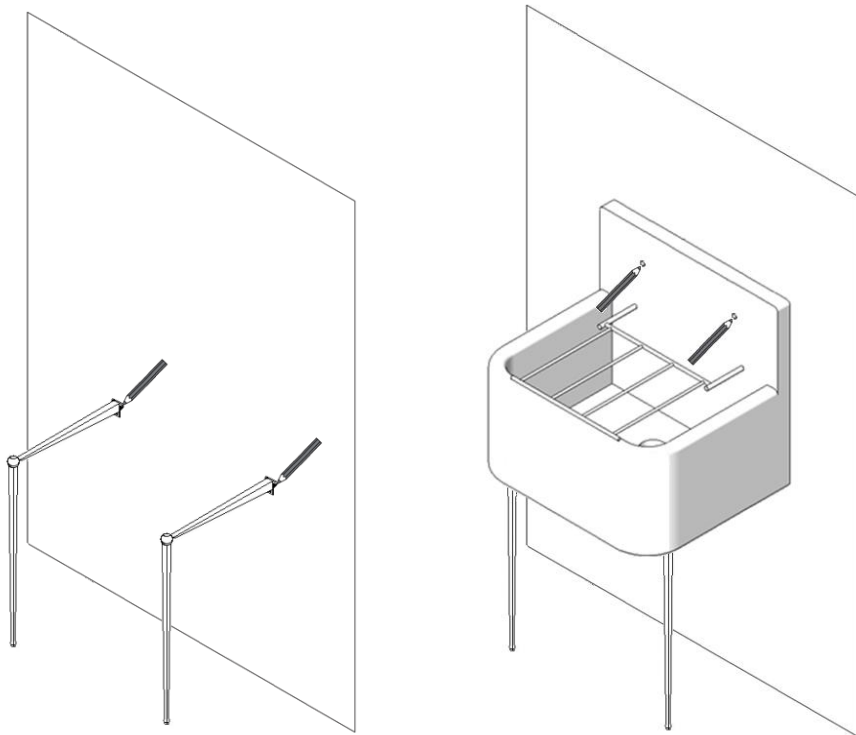


Drill, drill bits

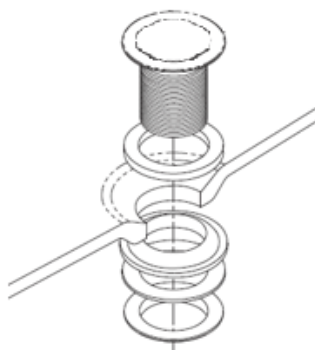
Required when securing the hand-dryer to a wall. Use an appropriate size bit to match the wall fixing chosen (wall screws and fixings may not be supplied).



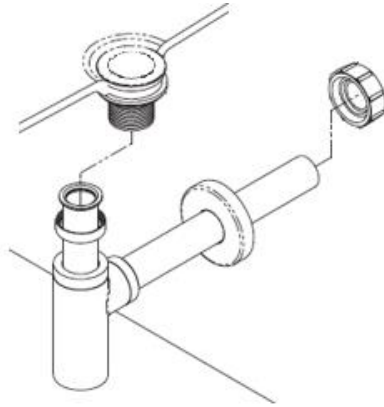
Take the measurements of the cleaners sink and leg-set and allow for provisions for a waste under the sink and water supply for pillar taps or similar above the sink.



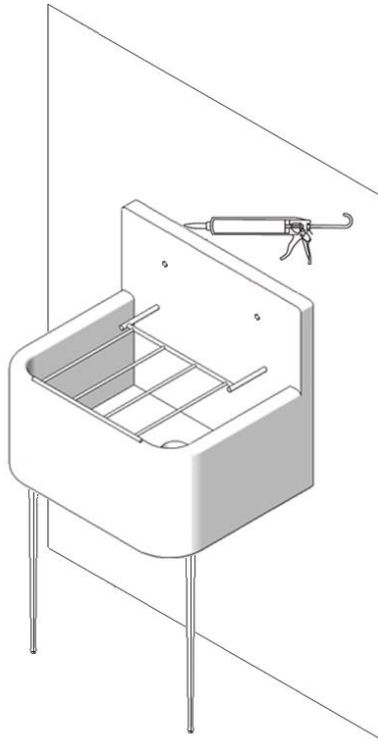
Using the measurements place the legs in position, mark, drill, plug and secure with suitable fixings, then place the cleaners sink on top of the legs, mark through the screw holes and again drill, plug and secure with suitable fixings.



Install the waste into the cleaners sink and tighten.



Install the trap and connect the waste pipe to the outlet in the wall



Run a bead of silicon around the outer perimeter of the cleaners sink.

INSTALLATION COMPLETE!!!

