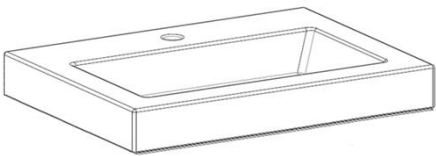


BAGNODESIGN

EXPERTLY CRAFTED BATHROOMS

General Installation Guide



COUNTERTOP/ WALL MOUNTED WASH BASIN

NOTE: for illustrative purposes only an 800mm wash basin is shown, please follow the same procedure to install the other products. wider basins may require additional fixings

A member of  SANIPEXGROUP

Please leave these instructions with the customer

IMPORTANT PLEASE READ

Remove all packaging and check the product for missing parts or damage before starting installation.

Any alterations made to this product and fittings may infringe water regulations and invalidate the guarantee.

The Installation must comply with all Local/National Water Supply Authority Regulations/Byelaws and Building and Plumbing Regulations.

We strongly recommend that your product be installed by a reputable qualified trade's person.

General Installation:

Please note this product can require 2 or more persons to lift and manoeuvre into position.

To the installer: Please read and follow this instruction carefully, as the guarantee is only valid if the product is installed as directed.

Don't rush, read the instructions first and run through them before you begin. Keep fittings together to avoid loss. Do not over tighten screws or bolts.

If the unit is covered with polyethylene protective film, do not remove until installation is complete to grant maximum protection. However, remove film where any two surfaces will be in permanent contact.

Verify that all dimensions on the plan are the same as the ones of the product.

Please leave this installation manual with the end user once the product has been installed.

Product Aftercare:

We recommend cleaning with a soft damp cloth and mild soap solution.

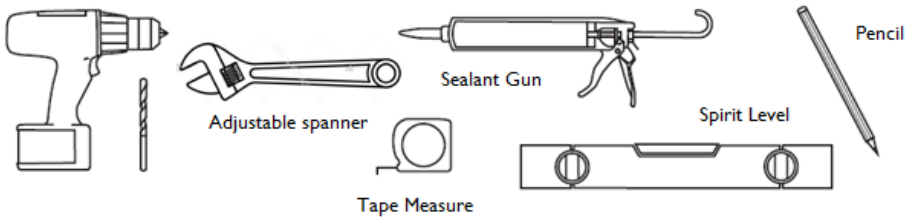
Do not use cream cleaners or cleaners containing bleach.

Do not scrub or scour.

Do not use abrasive cleaning agents.

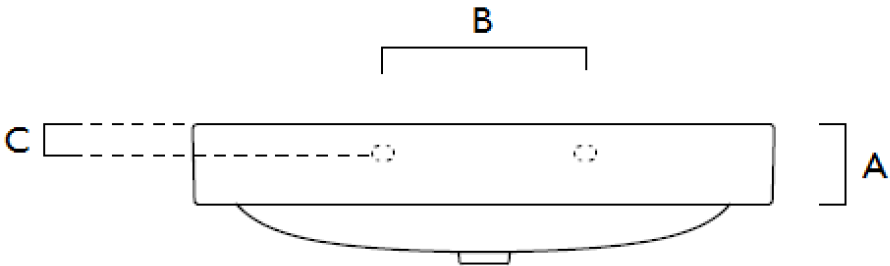
Do not use solvent based cleaners.

TOOLS REQUIRED (Not supplied)

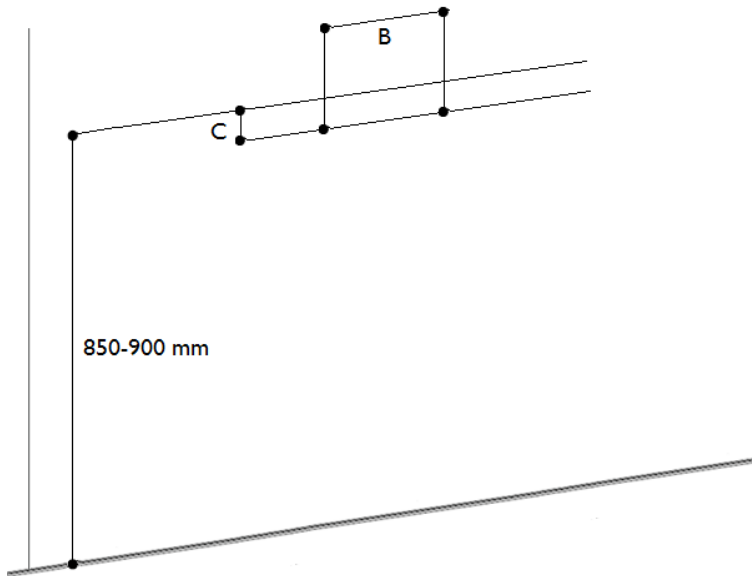


Drill and drill bits

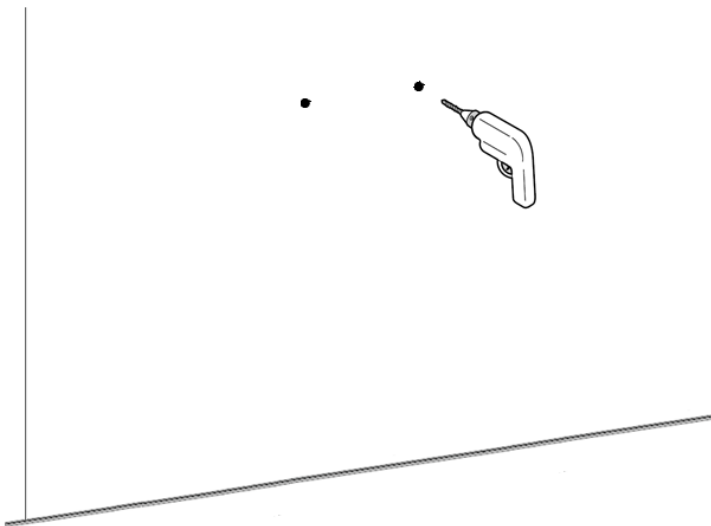
Required when securing the wash basin to a wall. Use an appropriate size bit to match the wall fixing chosen (wall screws and fixings may not be supplied).



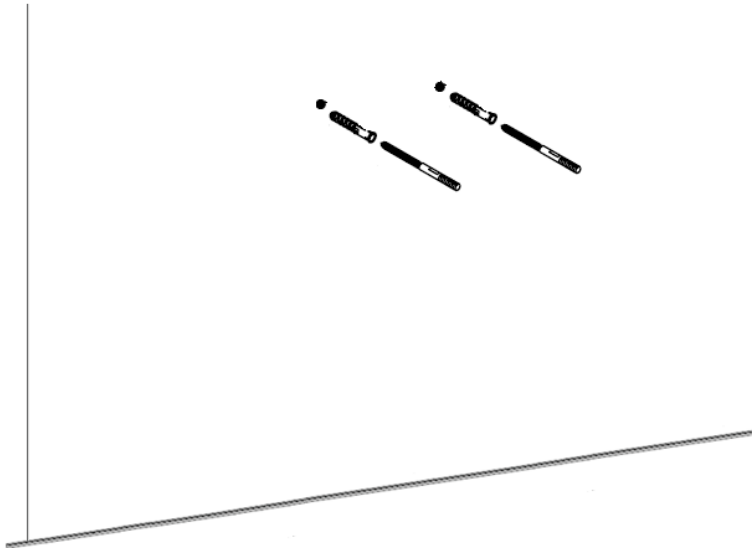
Remove the basin from its packaging, and measure the distance A (Depth of basin) B (width of fixing holes) C (distance between top edge and centre of fixing hole)



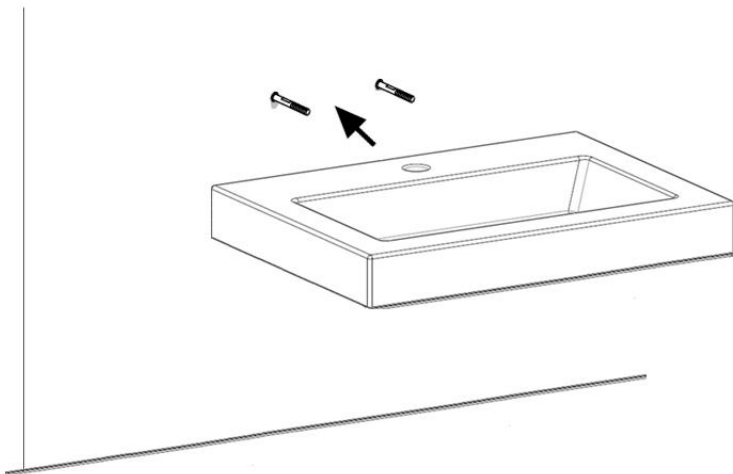
Mark a line horizontal of 850-900mm, this is a recommended height that the wall mounted basin should be installed at, Using the basin measurements mark line C and line B.



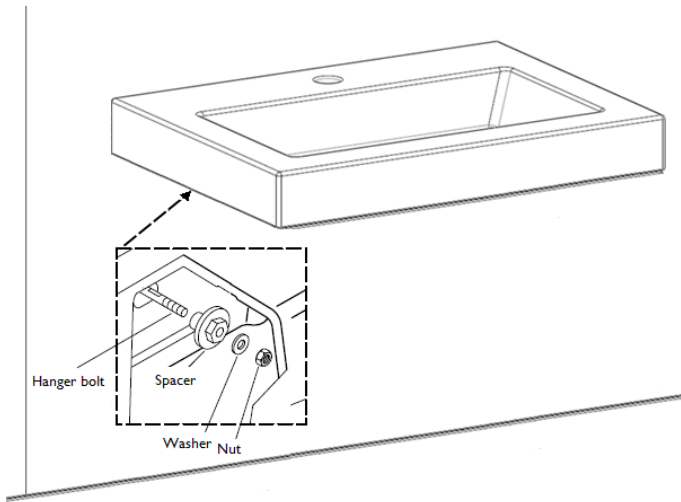
Using the wash basin fixing kit, gauge the correct diameter and depth for the wall plug and use corresponding drill bit to make the holes in the surface.



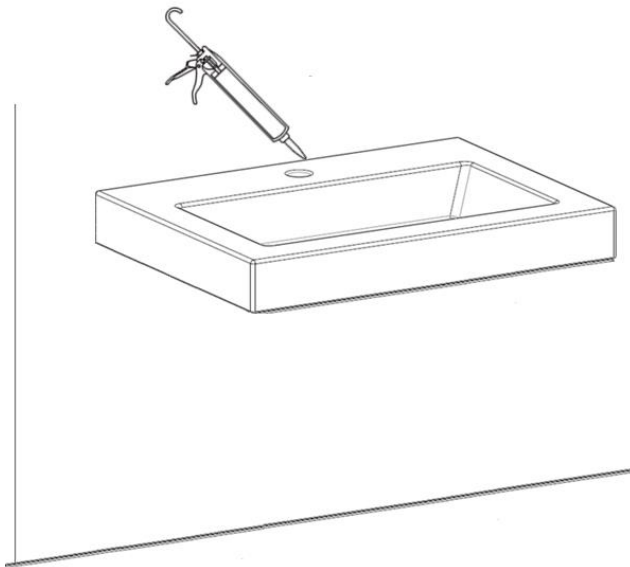
Insert the wall plug, and then screw in the the threaded hanger bolt to the required depth.



Install the wash basin onto the threaded hangers, a second person will be required to hold the wash basin in position whilst fixing.



Place the spacer, followed by the washer onto the threaded hangers and then hand tighten with the nut, place a level along the back edge and check before fully fastening.



To finish place a small bead of silicon along the back edge of the wash basin.

INSTALLATION COMPLETE!!!

BAGNODESIGN

EXPERTLY CRAFTED BATHROOMS

Oakwell Way, Birstall
Leeds, England WF9 17LU

A member of  SANIPEXGROUP