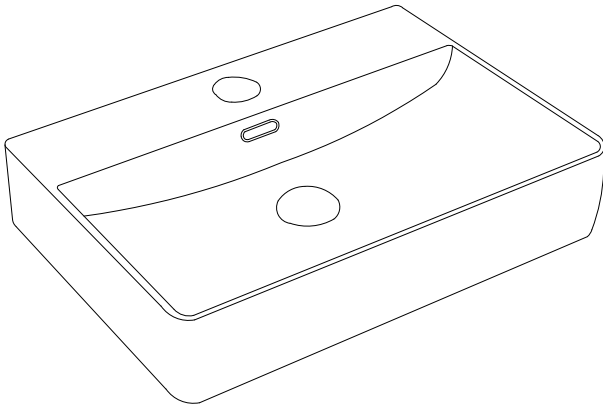


BAGNODESIGN

EXPERTLY CRAFTED BATHROOMS

General Installation Guide



COUNTERTOP WASH BASIN

NOTE: for illustrative purposes only an 600mm wash basin is shown, please follow the same procedure to install the other products.

A member of  SANIPEXGROUP

IMPORTANT PLEASE READ

Remove all packaging and check the product for missing parts or damage before starting installation.

Any alterations made to this product and fittings may infringe water regulations and invalidate the guarantee.

The Installation must comply with all Local/National Water Supply Authority Regulations/Byelaws and Building and Plumbing Regulations.

We strongly recommend that your product be installed by a reputable qualified trade's person.

General Installation:

To the installer: Please read and follow this instruction carefully, as the guarantee is only valid if the product is installed as directed.

The installation of this Basin requires preferred previous installation of suitably constructed countertop. Please ensure that countertop is suitable for the weight allowance of the basin and its components.

Don't rush, read the instructions first and run through them before you begin. Keep fittings together to avoid loss. Do not over tighten screws or bolts.

If the unit is covered with polyethylene protective film, do not remove until installation is complete to grant maximum protection. However, remove film where any two surfaces will be in permanent contact.

Verify that all dimensions on the plan are the same as the ones of the product.

Please leave this installation manual with the end user once the product has been installed.

Product Aftercare:

We recommend cleaning with a soft damp cloth and mild soap solution.

Do not use cream cleaners or cleaners containing bleach.

Do not scrub or scour.

Do not use abrasive cleaning agents.

Do not use solvent based cleaners.

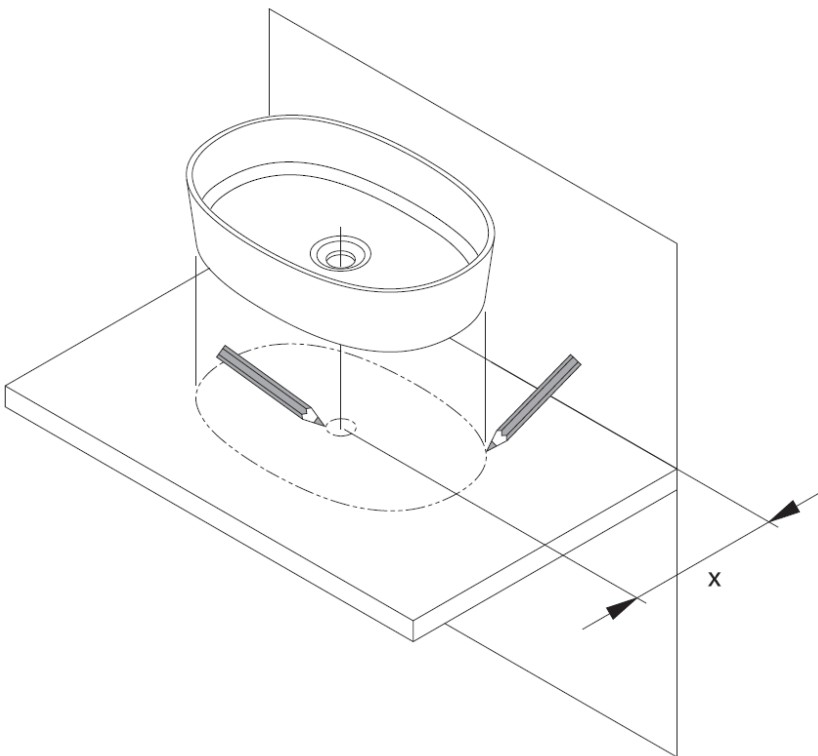
This installation guide is for reference only. In case there is a discrepancy between that of the instructions and that of the actual product, the latter should be taken as standard. The rights of modification are reserved.

TOOLS REQUIRED (Not supplied)

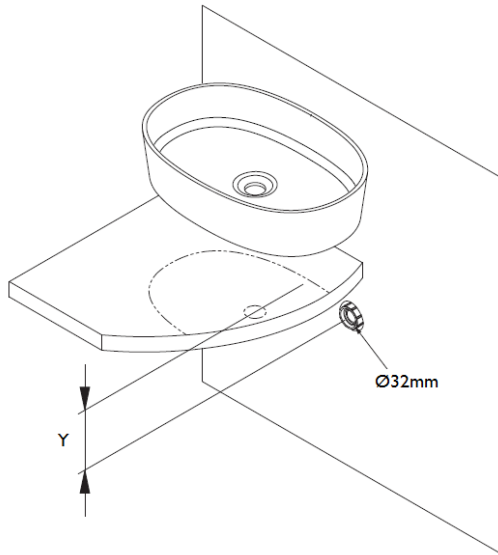


Drill, drill bits & holesaw

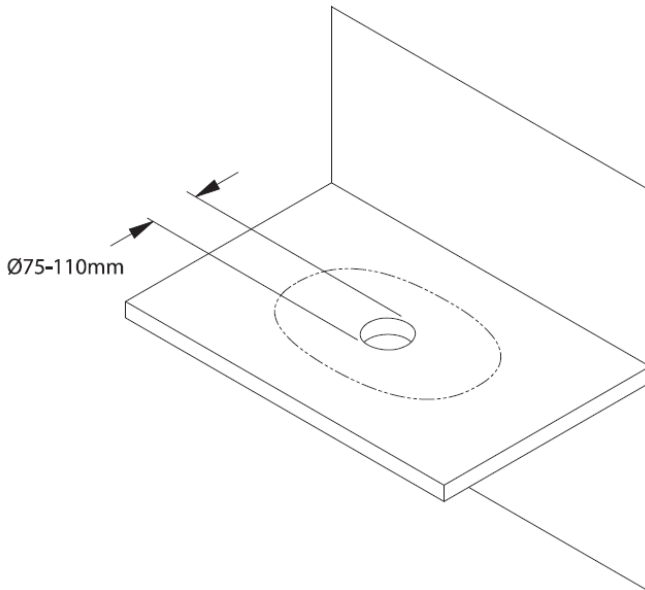
Required when drilling a wooden countertop surface, for Marble/Stone countertops please use specialized cutting company.



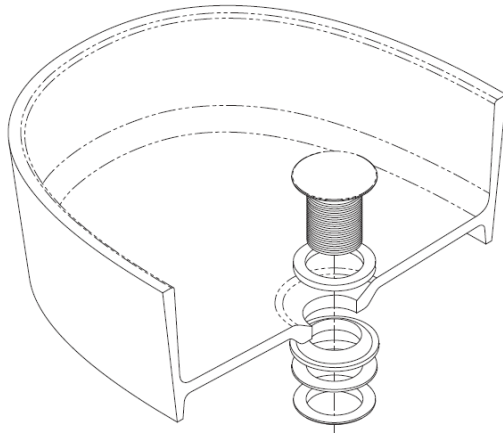
Place the basin on the countertop, take notice of the spout length of the mixer so that the distance X is correct. Mark around the perimeter of the basin and waste hole.



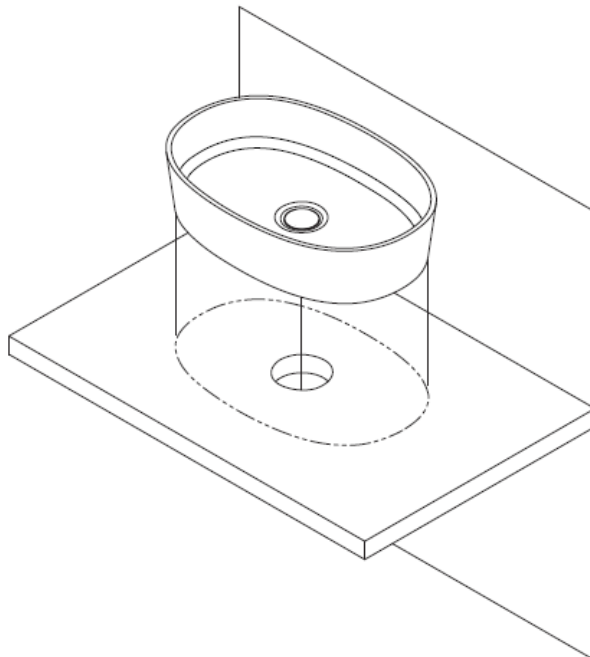
Check that the waste provision is in the correct place, check the bottle trap dimensions to ensure that the distance Y is achievable.



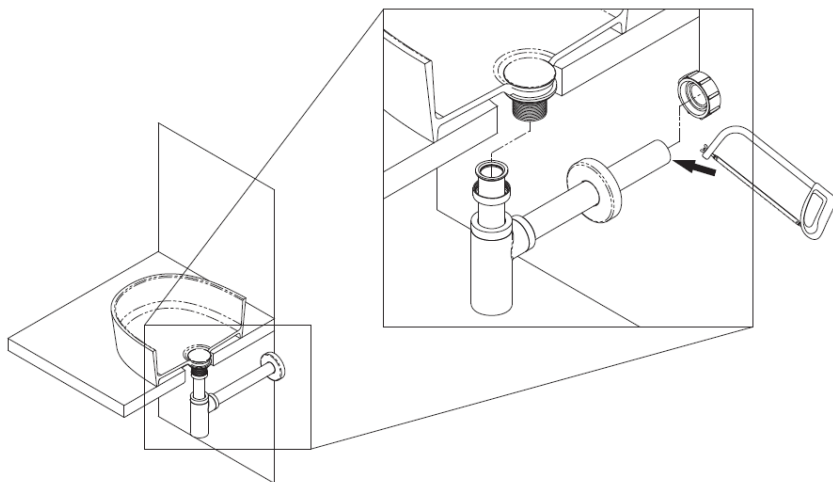
Drill waste hole allowing for the finished dimensions of the waste outlet. In this instance its Ø75-110mm, please check your corresponding waste outlet product.



Install the waste assembly into the basin.

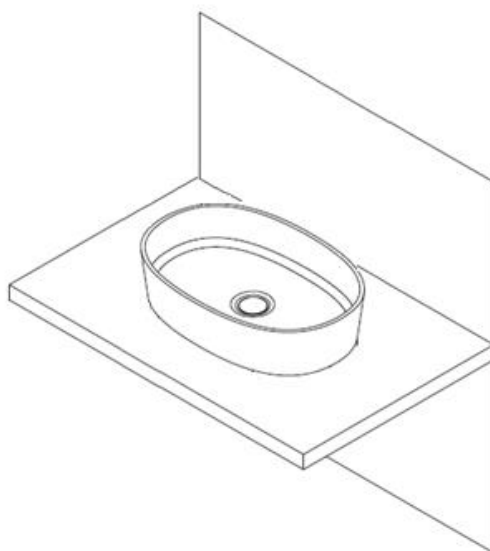


If required, place a few dots of silicon on the base of the basin, align, and place in position, allow the silicon to cure for a few hours.



Install the bottle trap onto the waste, cut the horizontal pipe to length and install into the wall via a waste compression fitting or rubber socket.

If required run a small bead of silicon around the perimeter base.



INSTALLATION COMPLETE!!!

