



BC5083-120

DOLPHIN STAINLESS STEEL DISABLED ALARM SYSTEM WITH PULL CORD

TECHNICAL DRAWING

POWER/
LIGHT/
BUZZER
MODULE

RESET
MODULE

PULL CORD
MODULE



OVERVIEW



1. Pull cord Module

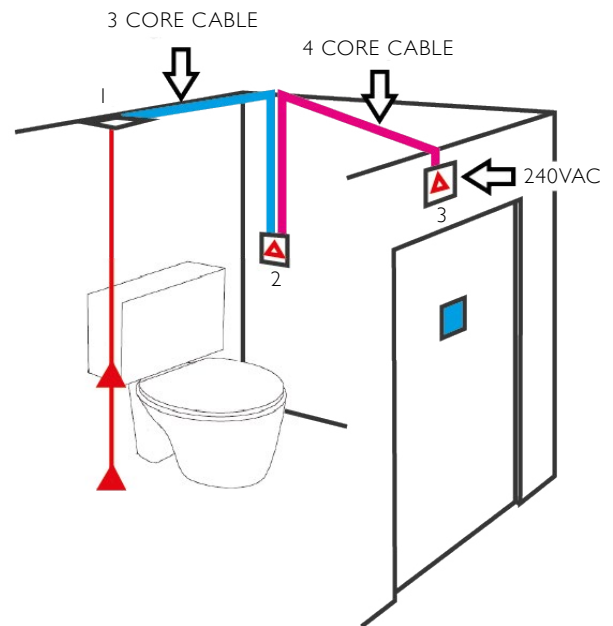
1st pull handle to be 100mm from floor. 2nd pull handle to be mounted 800/1000mm from floor.

2. Reset Module

Module to be mounted maximum 1200mm from the floor

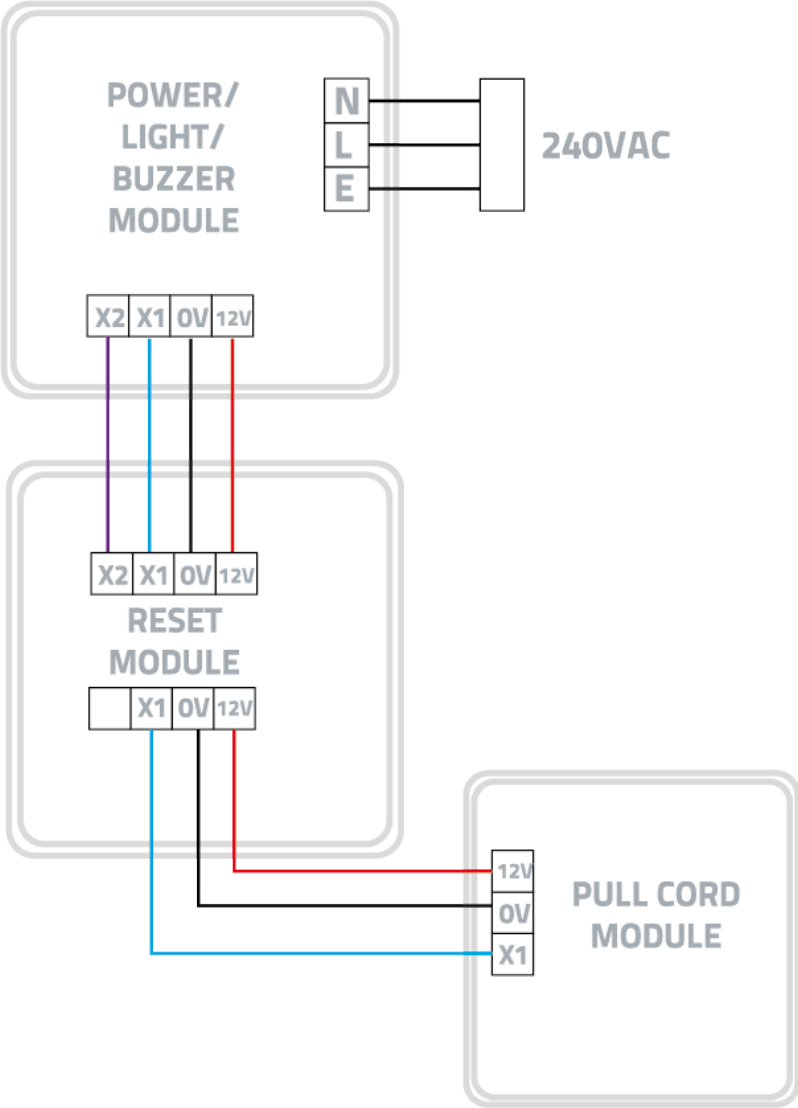
3. Input Power, Light and Buzzer Module

Activates when the Pull Cord is triggered. Also provides system power input

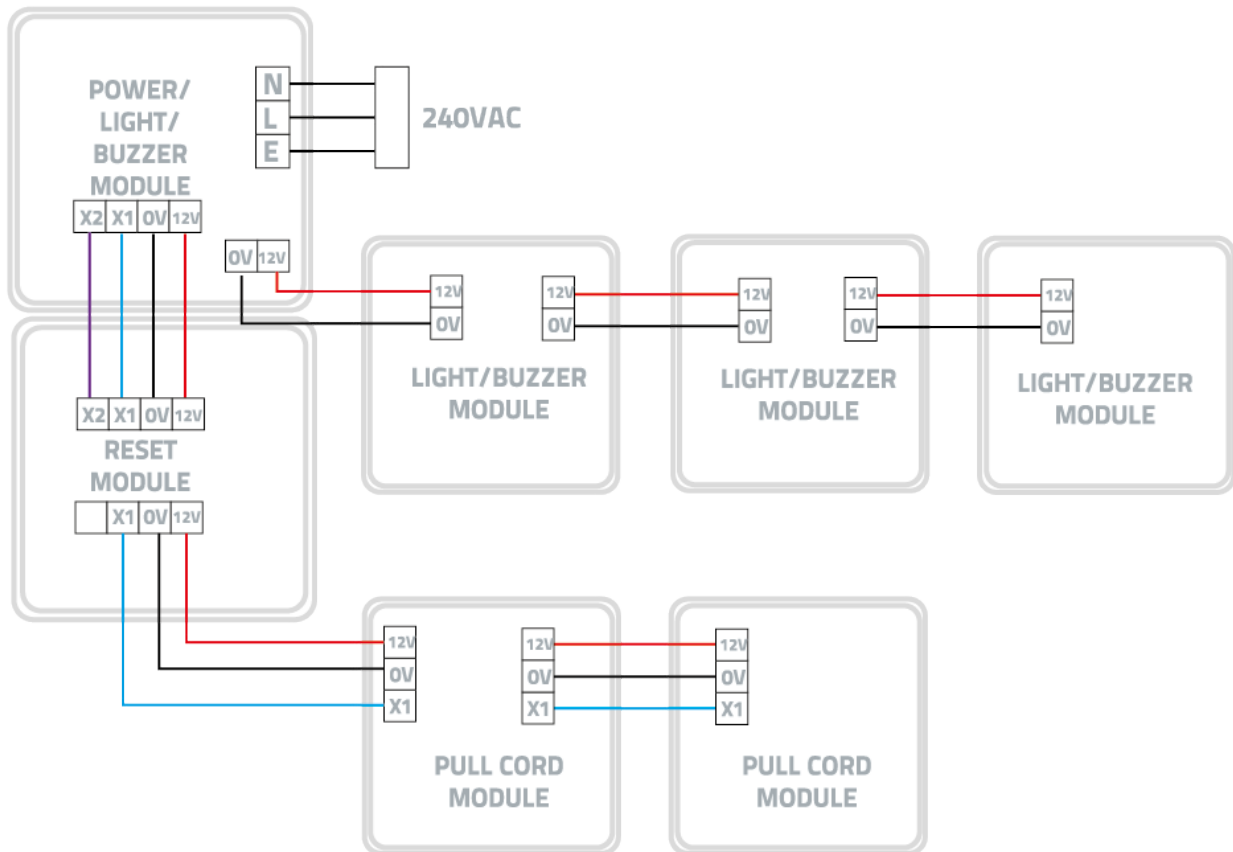


System designed to comply with care standards BS8300
Installation to be carried out by a qualified electrician.

KIT WIRING CONFIGURATION



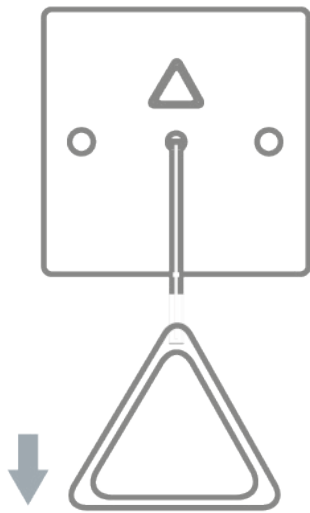
MAXIMUM WIRING CONFIGURATION



OPERATION GUIDE

—

1



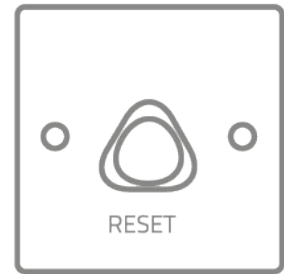
Pull triangle on cord
to activate alarm

2



Light indication and
buzzer will activate

3



Press the RESET button
to reset the system

For backup battery modules please test/replace the battery a minimum of every 12 months & after any duration the system has been powered directly from the battery.

Battery Conditions:

Battery level normal
(12v-9.6v) Alarm activation for approximately 10 minutes

Battery level low
(9.6v-6v) Alarm activation for approximately 4 minutes

Battery level 6v or below
Replace battery

Battery Type: A23 Alkaline Battery 12V



DOLPHIN

Dolphin Solutions
Southpoint, Compass Park,
Junction Road
Bodiam, TN32 5BS,
United Kingdom

T +44 (0)1424 202 224
specifications.uk@dolphinsolutions.com
dolphinsolutions.com
© Dolphin Solutions

Carbon
Neutral
Britain™

