

# DOLPHIN SHOWER DISPENSER

## Mounting Instructions

### MOUNTING INSTRUCTIONS

(using both tape and silicone)

- 1) Make certain that the wall area provides a clean, dry mounting surface. Clean with rubbing alcohol, if necessary, to remove soap film and allow to dry before beginning the installation. If mounting onto moulded fibreglass, the surface should be cleaned with nail polish remover without oil to eliminate any wax residue from the fibreglass moulding process.
- 2) Determine the exact location for your Dispenser and hold the unit in position to ensure the correct height. Provide sufficient clearance above the dispenser in order to remove the container.
- 3) Remove the Dispenser Container Assembly from the Mounting Bracket by sliding the container up and away from the bracket.
- 4) Apply double-sided tape to the non-textured rectangular areas on the back of the mounting bracket. Remove the protective backings on tape tabs
- 5) Run a wavy bead of silicone adhesive down the textured area on the back of the mounting bracket. Use the entire contents of the tube.
- 6) Press the mounting bracket into the desired position and ensure that the tape bonds firmly to the wall.

**Note:** The tape will support the mounting bracket until the silicone is fully cured after 24 hours.

### FILLING CHAMBERS AND PRIMING PUMPS

- 1) Only after the silicone is fully cured, can the mounting bracket support the weight of the liquids. Fill the chamber(s) with your choice of liquid(s).
- 2) Prime the pump(s)
  - a. Push button in.
  - b. While holding the pump button in...
    - c. Place your finger over the spout of the pump to block the airflow up into the pump.  
(This creates a partial vacuum in the pump chamber when the button is released.)
    - d. Keep your finger over the spout and release the pump button.
    - e. Remove your finger from the spout and repeat these steps until you have a continuous flow of liquid. (This may take several cycles, especially when using very thick liquids.)

### MAINTENANCE

Bathroom cleaners often contain aggressive chemical and abrasives, designed to clean ceramic and porcelain surfaces. These cleaners are likely to damage, deteriorate or discolour the dispenser.

Before using any cleaner, read the list of ingredients on the label. Do not use any cleaner that contains abrasives or any of the following chemicals:

- Solvents: Xylene, Toluene
- Acids: Hydrochloric, Muriatic, Phosphoric, Hydrofluoric
- Other: Alkyl dimethyl benzyl ammonium chlorides, Bleach (sodium hypochlorite), Alcohol, Aromatic Oils (found in aftershave)
- Use of these chemicals or abrasives could void the product warranty.

**Do not fill or mount the container onto the mounting bracket until the silicone has fully cured – 24 hours**

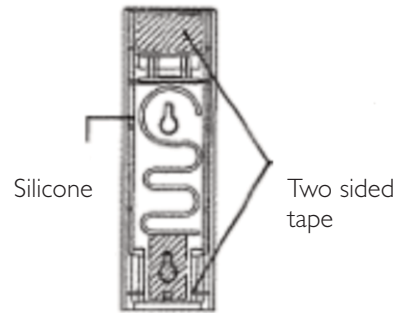
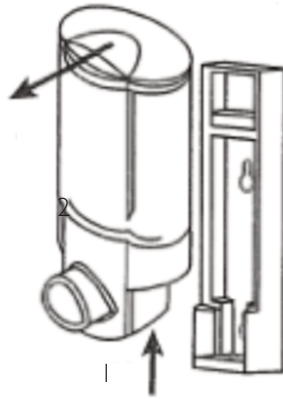
Optional Mounting Instructions (using screw and plugs).

Depending on the wall surface, some installations may require the use of screws and wall plugs instead of tape and silicone. Follow these instructions for screw installation:

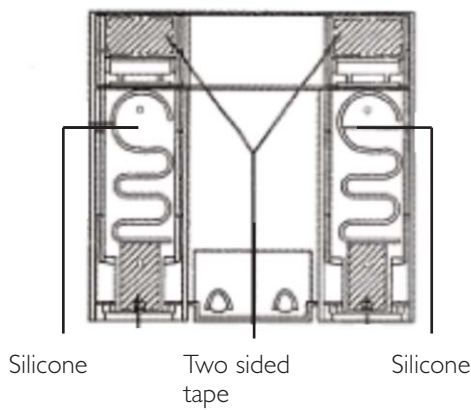
- 1) Follow steps 2-3 above.
- 2) Remove the "knock-out" plugs from the mounting bracket.
- 3) Use the mounting bracket as a template to locate the holes onto the wall.

### BC624-1 DISPENSER WITH ONE CHAMBER

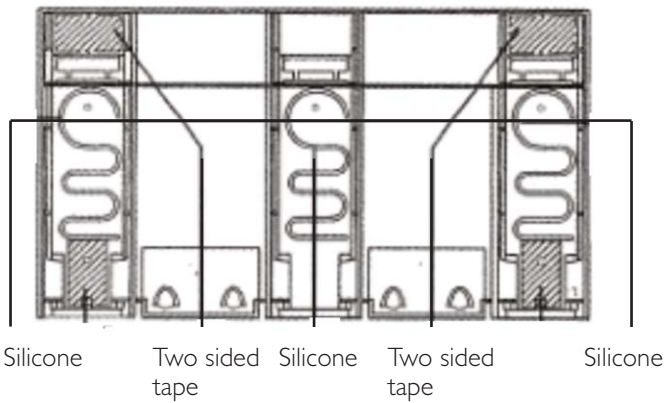
To remove dispenser



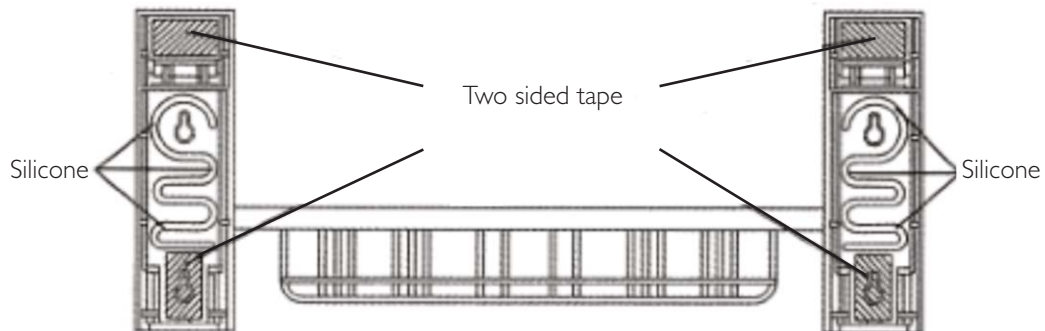
### BC624-2 DISPENSER WITH TWO CHAMBERS



### BC624-3 DISPENSER WITH THREE CHAMBERS



### TWO CHAMBERS WITH BASKET



THE BEST METHOD FOR CLEANING THE DISPENSER IS WITH A SOFT DAMP CLOTH

## Dolphin Solutions

Southpoint, Compass Park, Bodiam, Robertsbridge TN32 5BS

Tel: 01424 202224

Fax: 01424 205200

www.dolphinsolutions.co.uk

info@dolphinsolutions.co.uk

