

INSTALLATION AND MAINTENANCE GUIDE

BC 633

Dolphin Counter Mounted Infrared Soap Dispenser



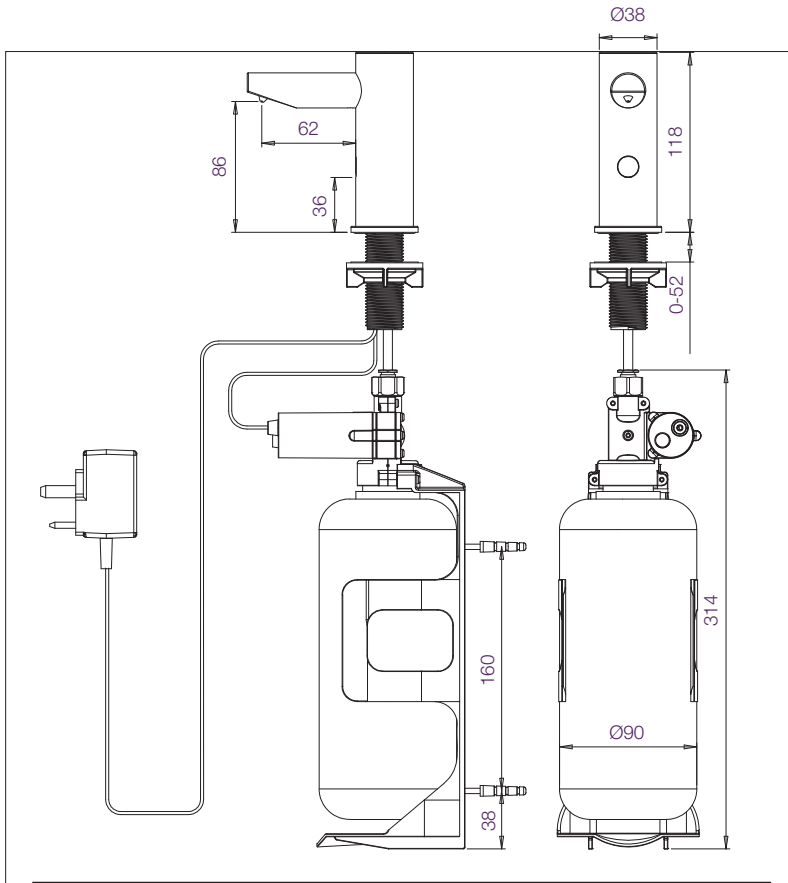
Important:
Read carefully before
installing product



CONTENTS

- 3 Technical Data
- 4 Pack Contents
- 5 Pre-Installation Information
- 6-9 Installation
- 10 Filling The Soap Tank
- 11 Settings Adjustement With A Remote Control
- 12 Batteries Replacement
- 13 Maintenance
 - Care And Cleaning Of Chrome And Special Finishes
- 14 Warranty
- 15 Trouble Shooting

TECHNICAL DATA



Capacity: 1 Liter \ 33.8 oz.

Power Supply: IP 67 Battery Box

for 6xD Alkaline

batteries \

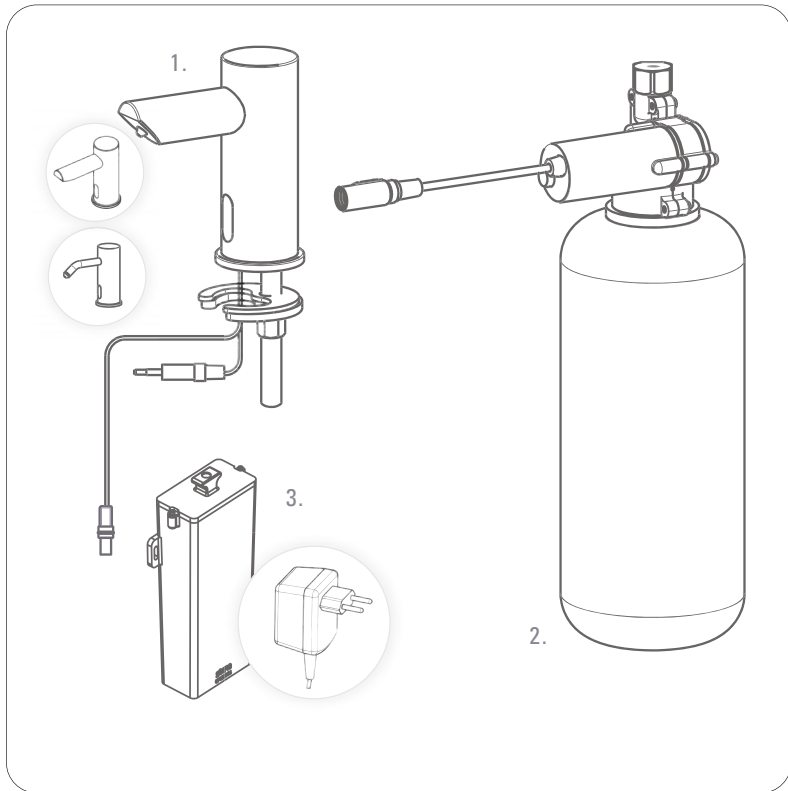
Transformer

Soap viscosity: 100 – 3800 cPs

Standard discharge: 0.8cc, Adjustable

PACK CONTENTS

Familiarize yourself with the part names and confirm that the parts are included.



1. 1 x Body and fixing accessories
2. 1 x Soap tank and pump assembly
3. 1 x IP 67 Battery Box for 6xD Alkaline batteries \ Transformer

PRE INSTALLATION

Check contents

Separate all parts from the packaging and check each part with the "Pack contents" section.

Make sure all parts are accounted for before discarding any packaging material. If any parts are missing, do not attempt to install your touch free soap dispenser until you obtain the missing parts.

Warnings

Do not install the system facing a mirror or any other electronic system operated by an infra-red sensor.

To prevent reflection problems, it is recommended to keep a minimum distance of 1.50 meters between the soap dispenser and any other objects.

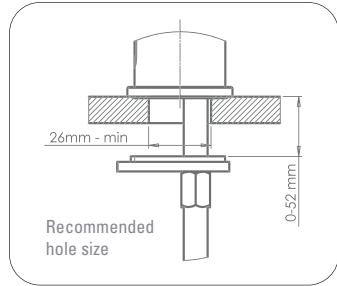
Important:

Keep in mind that the location of the user hands, while using the tap nearby should not interfere with the soap dispenser sensor detection area.

INSTALLATION

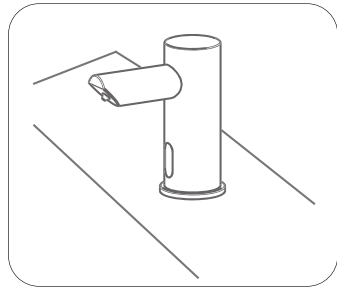
Step 1 – Remove all mounting hardware

Remove the hexagonal nut, the disk and the gasket from the base of the soap dispenser body.



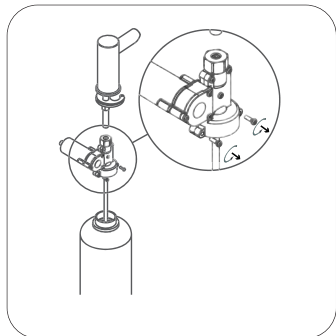
Step 2 – Installing the soap dispenser

1. Place the soap dispenser body along with the bottom ring into the hole in the deck or lavatory.



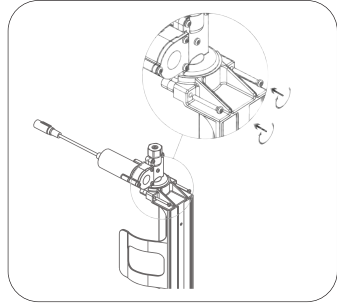
If you have purchased the touch free soap dispenser together with a bottle support kit, please follow parts 2-6, if not please proceed to part 7.

2. Unscrew the two screws at the top of the soap dispenser pump.

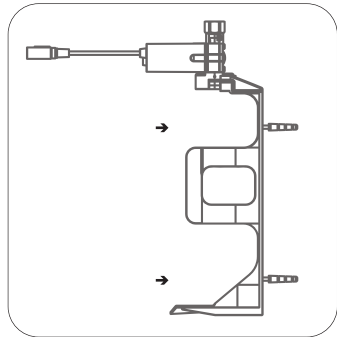


INSTALLATION

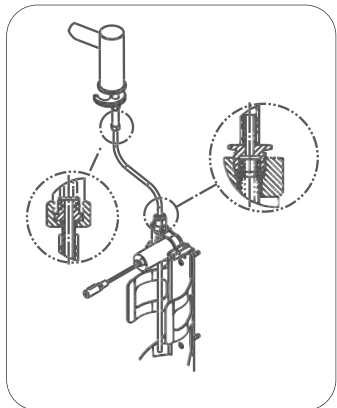
3. Assemble the pump to the bottle support using the supplied screws.



4. Fix the bottle support to the desired location.

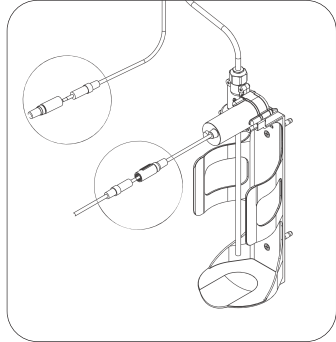


5. Assemble the tube from the pump to the soap dispenser.

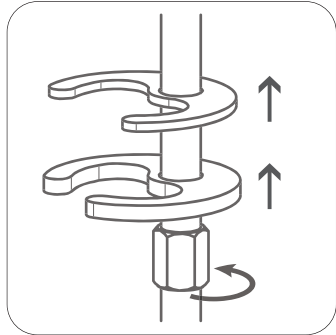


INSTALLATION

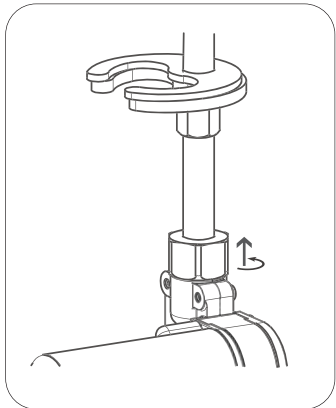
6. Connect the extension cable.



7. Slide the disk and gasket over the soap dispenser body nipple and secure the hexagonal nut.



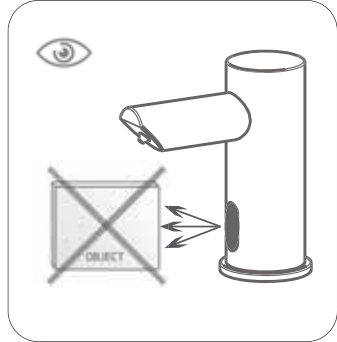
8. Screw in the nut at the top of the soap dispenser pump assembly to the soap dispenser body nipple.



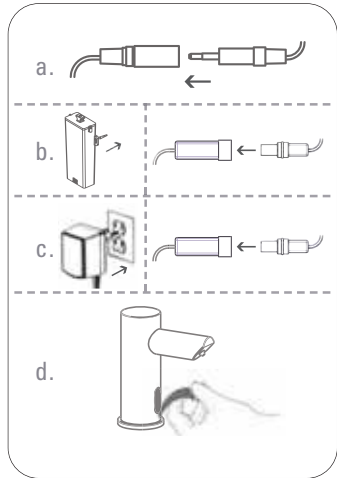
INSTALLATION

Step 3 - Connecting the power source

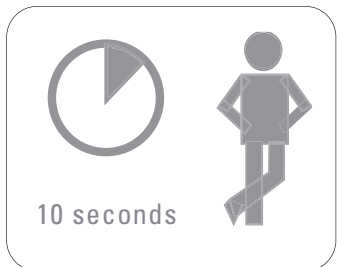
Important: this product was supplied with a self adjusting sensor. The ideal sensor range for the specific location will be set automatically. Right now, check that no objects are in front of the sensor.



- Connect the motor connector.
 - For battery versions: install the battery box at the wall underneath the sink and connect the battery connector
 - For transformer versions: plug the transformer into the electricity socket and connect the transformer connector
 - Remove the protective sticker covering the sensor immediately after connecting the transformer \ battery connector. Keep away from the sensor range.

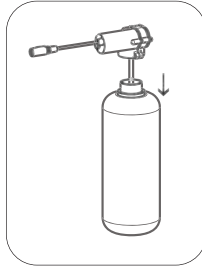


- Wait about 10 seconds before you put your hands within the sensor range.



FILLING THE SOAP TANK

1. Unscrew the soap tank from the pump assembly.



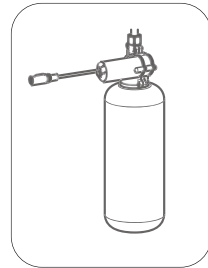
2. Fill in the liquid soap up to the top line.



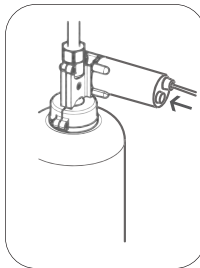
3. **Only:** if you have a bottle support kit, insert the bottle with the tube inside the bottle support.



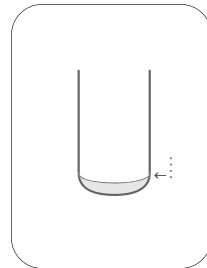
4. Screw the soap tank back to the pump assembly. Make sure the tank is secured firmly in place.



5. Press the refill button located at the back of the pump assembly until soap starts coming out of the soap dispenser spout. This operation can also be done using the soap dispenser remote control Refill function.



Note: Once the soap in the soap tank has reached the bottom line the soap tank should be refilled. To refill the soap tank please refer to steps 1-5.



REMOTE CONTROL

Settings adjustment with a remote control

If desired, use the remote control to adjust the soap dispenser settings.

Hold the remote control straight in front of the sensor in a distance of about 6-8" (15-20cm).

Choose the function you want to adjust by pressing on the function button as following:

1 Soap Quantity

The 1-4 drop keys allow the user to choose the desired soap quantity.

1 0.2 to 0.4 **2** 0.7 to 0.9 **3** 1.2 to 1.6 **4** 2.1 to 2.3

Indication: continues blink of the red light in the sensor eye.

* The exact soap dosage depends on the soap viscosity.

2 Adj

This function allows coming back to soap quantity factory settings.

Press the ADJ button.

Indication: 2 blinks of the red light in the sensor eye.

3 Temporary Off Function

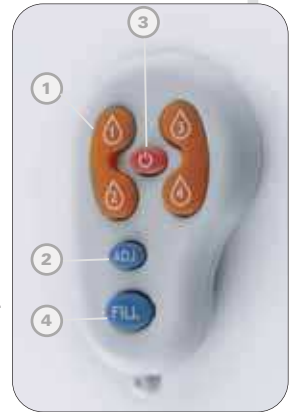
This function is ideal to perform any kind of activity in front of the sensor without operating the system (for example, cleaning). The soap dispenser will remain shut for 1 minute when this button is pressed once.

To cancel this function and to return to normal operation press the On/Off button again or wait 1 minute.

Indication: OFF – 2 fast blinks, ON – 4 fast blinks

4 Refill The Soap Tank

Once the soap in the soap tank has reached the bottom line at the soap tank, it should be refilled. To do it, Unscrew the soap tank from the pump assembly and fill in the liquid soap up to the top line. Screw the soap tank back to the pump assembly and make sure the tank is secured firmly in place. Press the FILL button. The pump would work for one minute in order for the soap to start coming out of the soap dispenser spout. To stop this activity press the FILL button again.



BATTERY REPLACEMENT

Battery models only

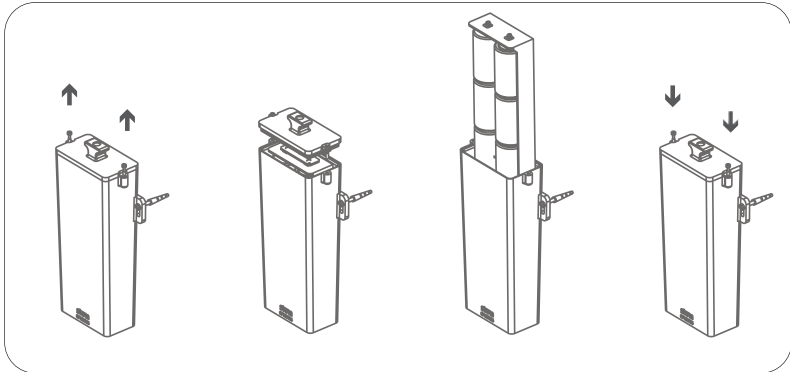
When the battery weakens, the red indicator light will blink at a constant rate when the user's hands are within the sensor range. The battery must be replaced within two weeks.

To replace the battery in battery models:

1. Carefully open the battery box
2. Remove the old batteries
3. Replace the used batteries with new D batteries

NOTE: Do not mix used batteries with new ones.

4. Close the box.



Important: Spent batteries should not be disposed of with normal household waste. Contact your local authority for information on waste disposal and recycling.

MAINTENANCE

Care and cleaning of chrome and special finishes

DO NOT use steel wool or cleansing agents containing alcohol, acid, abrasives, or the like. Use of any prohibited cleaning or maintenance products or substances could damage the surface of the soap dispenser. For surface cleaning use ONLY soap and water, then wipe dry with a clean cloth or towel. When cleaning bathroom tiles, the soap dispenser should be protected from any splattering of harsh cleansers

LIMITED WARRANTY

Dolphin Dispensers warrants that its electronic products will be free of defects in material and workmanship during normal use for two years from the date the product is purchased.

If a defect is found in normal use, Dolphin Dispensers will, at its discretion, repair, provide a replacement part or product, or make appropriate adjustments. Damage caused by accident, misuse, or abuse is not covered by this warranty. Improper care and cleaning will void the warranty. Proof of purchase (original sales receipt) must be provided to Dolphin Dispensers with all warranty claims.

Dolphin Dispensers is not responsible for labor charges, installation, or other incidental or consequential costs other than those noted above. In no event shall the liability of Dolphin Dispensers exceed the purchase price of the product.

If you believe that you have a warranty claim, contact your Dolphin Dispensers, Dealer or Plumbing Contractor. Please be sure to provide all pertinent information regarding your claim, including a complete description of the problem, the product, model number, the date the product was purchased, from whom the product was purchased and the installation date. Also include your original invoice.

DOLPHIN DISPENSERS AND/OR SELLER DISCLAIM ANY LIABILITY FOR SPECIAL, INCIDENTAL OR CONSEQUENTIAL DAMAGES. This warranty excludes product damage due to installation error, incorrect maintenance, wear and tear, battery, product abuse, or product misuse, whether performed by a contractor, service company, or the consumer. This warranty does not cover product damage caused by the following:

- Incorrect installation.
- Improper manipulation, tampering, bad or lapsed maintenance.

TROUBLE SHOOTING

PROBLEM	INDICATOR	CAUSE	SOLUTION
No soap coming out of the spout	Red light in the sensor flashes and the motor is operating.	Soap has run low or completely out.	Refer to page 4 and refill the soap tank.
		The soap tank has been filled but soap has not reached the spout.	Press the refill button located at the bottom of the pump until soap starts to come out of the spout again.
	Red light in the sensor does not flash when user's hands are within the sensor's range.	Sensor is picking up reflections from the washbasin or another object.	Eliminate cause of reflection.
		Connectors between the electronic unit and the pump assembly \ transformer are disconnected or not properly connected.	Connect the electronic unit connectors to the pump assembly and transformer.
Soap coming out from the spout does not stop		The black connector between the pump assembly and soap dispenser are not connected all the way through.	Connect the black connectors all the way through.



Request your 320 page
catalogue today on
0800 0723 404

Bell-Chem Products Company
Haywood Way, Hastings TN35 4PL

Tel: +44 (0)1424 202224
Fax: +44 (0)1424 205 200
info@dolphindispensers.co.uk
www.dolphindispensers.co.uk