

DS211

# DOLPHIN INFORM SLIMLINE BASIN TAP

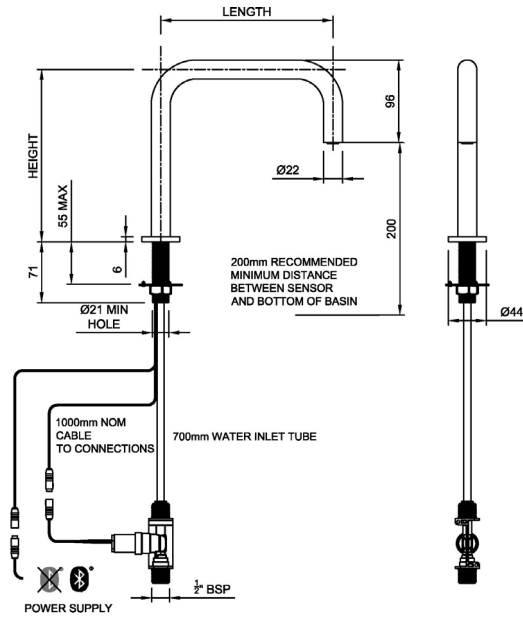
---

Installation and Maintenance Guide



Please read carefully before use

DS211



TECHNICAL DATA

- › Dolphin Up and Over Counter Mounted InForm (SMART) Tap
- › Manufactured from high-quality, highly durable 1.4401 (316) Marine grade stainless steel.
- › Self-Monitoring Analysis and Recording Technology (SMART) allows the Facilities Manager to connect point to point via the Dolphin SMART App when used with the optional Bluetooth Adaptor (Sold separately -Order product code 25148 )
- › Infra-Red Touch Free Tap for ultimate hygiene prevents cross contamination Sensor mounted in end of spout
- › Flow rate – 3.0 litres/minute with the standard fitted flow regulator (fitted adjacent to solenoid) at any pressure between 0.5 and 6.0 bar
- › 1.0 - 4.0 litres/minute flow rates available to special order – please enquire
- › Water Supply: Single inlet cold or pre-mixed a TMV2 or TMV3 thermostatic mixing valve is recommended for premixed applications
- › Maximum operating water temperature - 60°C
- › Power Supply: \*
- › Nominal Current: Less than 1mA (Less than 25mA with Bluetooth)
- › Nominal Power: Less than 1W
- › Security Time can be adjusted via the App Default 20 Seconds (60 Seconds max)
- › IP68 Connector

Coding Explained  
Style

DS211 90° Bent Spout  
DS21X.XXX..XXX.X

Projection  
200mm DS21X.XXX.XXX.X

Height  
200mm DS21X.XXX.XXX.X

Finish  
1 Brushed Satin  
2 Mirror Polished  
3 PVD Brushed  
4 PVD Mirror  
5 Powder Coated  
DS21X.XXX.XXX.0

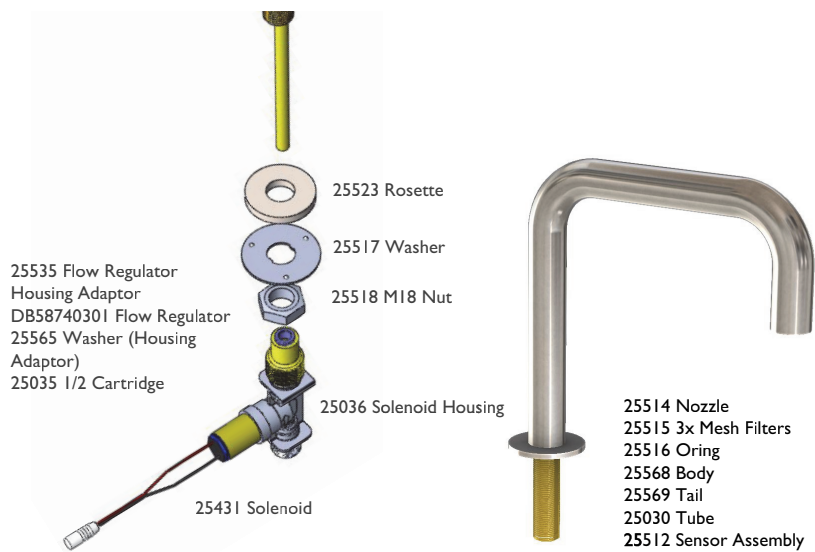
Colour  
Suffix to end of code  
(Number allocated by Dolphin Solutions)

Example Coding  
DS211.200.200.1  
90° Bent Spout  
200mm Projection  
200mm Height  
Brushed Satin Finish

Options  
Bluetooth   
PVD   
Powder Coating

\* See page 4 for power supply and other options

## PACK CONTENTS

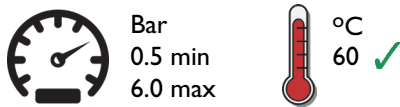


### Options



✓ ? Order 25148 separately

Standard



## PRE INSTALLATION

› Please check that all the components in the list above are present and that they are in good condition before installation. If any components are missing contact Dolphin Solutions.

› It is very important to allow permanent access to the mounting tail/nut of this product for future servicing and repair. Where this is not possible see our wall plate mounted products.

### ⚠ WARNING

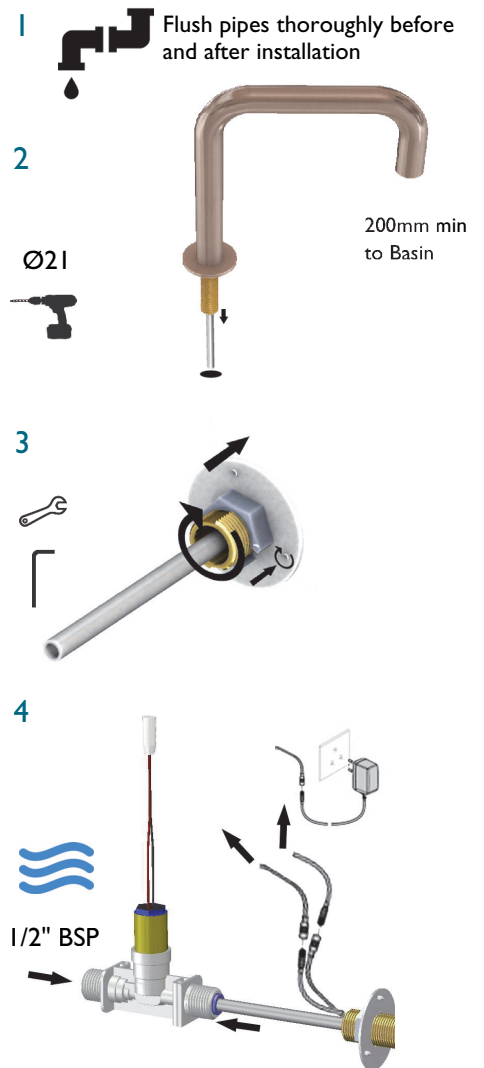
› Highly reflective surfaces directly beneath the sensor of this product, in particular polished finish basin wastes/strainers, will cause false activation of the infrared sensors and can result in malfunction. We recommend Satin or Matt finish products which can be found on our website.

› Sitting water may also cause the tap to activate

› All Plumbing and Electrical installation must be carried out by a qualified person and in accordance with applicable codes and regulations.

› Do not kink the water supply hose.

## INSTALLATION



5 › Switch on power supply

› The sensor is self adjusting.\*

\*Further adjustments can be made by purchasing the Bluetooth Adaptor and downloading the App

6 › Open hot and cold water supply and check that connections are watertight.

## MAINTENANCE

**DO NOT** use steel wool or cleansing agents containing alcohol, acid, abrasives or the like. Use of any prohibited cleaning or maintenance products or substances could damage the surface of the tap. For surface cleaning of tap use **ONLY** soap and water then wipe dry with a clean soft cloth. Protect taps from splattering of harsh cleansers when cleaning surroundings.

## OPTIONS

### POWER SUPPLY OPTIONS

#### UK MAINS ADPATOR PRODUCT CODE 25147

(Other Adaptor pin and power supply configurations available, see below for part numbers):

- › Input voltage: 100 – 240V AC +/- 10%, 50 - 60 Hz
  - › Output voltage: 6.75V DC + 0.15V/ -0.35 V
  - › Secondary current: 0 - 350 mA DC
  - › Buffer capacitors: The adaptor secondary contains 3 buffer capacitors (necessary to close the solenoid valve in case of power outage):
    - 2 x 2200 µF,
    - 1 x 100µF
- Certifications: EN 60335-1, EN 60950-1
- › 1m Cable

#### HARDWIRE TRANSFORMER PRODUCT CODE 25240

- › Input voltage: 100 – 240V ± 10% 50-60 Hz ± 3 Hz
  - › Output voltage: 6.6V DC ± 5%
  - › Secondary current: 200 mA DC
  - › Buffer capacitors: one buffer capacitor 4700 µF (necessary to close the solenoid valve in case of power outage)
- Certifications: EN 60335-1, EN 61558-2
- › 1m Cable (Transformer to Tap), 2m Cable (Transformer to Mains)

#### BATTERY PACK PRODUCT CODE 25241

- › Requires a 6V lithium battery (CR-P2, approx. 1.500mAh) which has a lifetime of 200.000 switching cycles or 3-5 years depending on user frequency.

- › 100mm Cable (Approx)

- › **Important note** - the battery unit can't be used in combination with the Bluetooth adaptor.

The battery unit contains the CR-P2 battery as delivery content.

The housing enables a fixation on wall by using the mounting clips (part of the housing but screws are not included) or the rear affixed Velcro tape

#### Power Supply Options:

- 25147 UK Mains Adaptor
- 25428 EURO Mains Adaptor
- 25240 Hardwire Transformer
- 25241 Battery Pack

### BLUETOOTH ADAPTOR PRODUCT CODE 25148



Bluetooth® version 4.0.

The **current version** of the app required for using the system **must** be installed on the control unit in advance. The App is available for free in the iTunes Store (requires an Apple account) and the Google Play store (requires a Google account).

For operation under adverse environments, in buildings / rooms with reinforced concrete walls, steel and iron frame, or near of obstructions (eg furniture) of metal, the Bluetooth reception can be disturbed and interrupted.

#### **Bluetooth®:**

Power consumption:	Less than 25mA
Output:	Bluetooth® - Class 2
Bluetooth® - version:	4.0
Bluetooth® - Transmission distance: (depending on the environments)	about 10m
Automatic safety shut-off:(10/20/60 seconds - adjustable)	20 s
Run-on time (0 - 10 s adjustable):	1 s
Detection Range - Levels 1 to 10 (10 = 120mm approx)	10

## Dolphin Solutions

Southpoint, Compass Park, Bodiam, Robertsbridge TN32 5BS

Tel: 01424 202224

Fax: 01424 205200

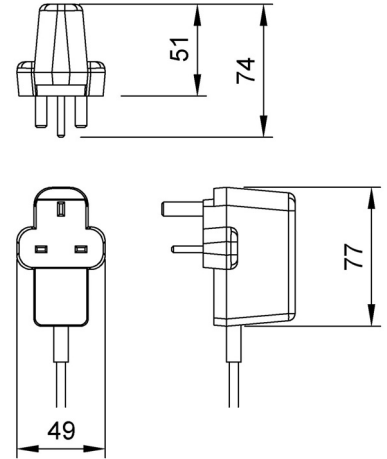
[www.dolphinsolutions.co.uk](http://www.dolphinsolutions.co.uk)

[info@dolphinsolutions.co.uk](mailto:info@dolphinsolutions.co.uk)



# INFORM TAP POWER SUPPLIES





25147

## DOLPHIN 3 PIN TRANSFORMER

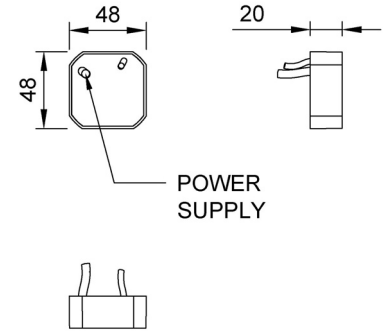
### AC side

- > Input voltage range AC 100 – 240V
- > Rated frequency 50 – 60 Hz
- > Rated current 22 mA

### DC side

- > Output voltage DC 6,6V -5% +10%
- > Rated output current 200 mA
- > Cable length Approx. **1000mm**
- > Material of housing PCV0 (DYFENCER\_PC\_V0)
- > Colour of housing black
- > Storage temperature -25°C up to +85°C
- > Protection class 2
- > IP rating of the housing **IP40**
- > Directives 2014/35/EU, 2014/30/EU, 2009/125/EG, 1907/2006/EG (REACH), 278/2009/EG, 2011/65/EU (RoHs 2)
- > Standards DIN EN 61000-6-2, DIN EN 61000-6-3, DIN EN 60335-1, DIN EN 60529, DIN EN 61558-1, DIN EN 61558-2-16

HEIGHT	<b>77 MM</b>
WIDTH	<b>49 MM</b>
PROJECTION	<b>74 MM</b>



25240

## DOLPHIN HARDWIRE TRANSFORMER

### > AC side

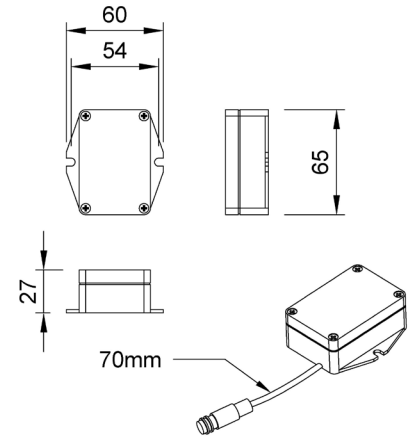
- > Input voltage range AC 100 – 240 V
- > Rated frequency 50 – 60 Hz
- > Rated current 22 mA
- > Cable length Approx. 1000mm

### DC side

- > Output voltage DC 6,6 V -5% +10%
- > Rated output current 200 mA
- > Cable length Approx. 1000mm
- > Material of housing PCV0 (DYFENCER\_PC\_V0)
- > Colour of housing black
- > Storage temperature -25°C up to +85°C
- > Protection class 2
- > IP rating of the housing IP rating IPx0 (this relates to the whole assembly pictured. The potted transformer box itself could achieve as much as IP68 but because the whole assembly includes unterminated cable we can only advise a rating for the whole assembly of IPx0).
- > Directives 2014/35/EU, 2014/30/EU, 2009/125/EG, 1907/2006/EG (REACH), 278/2009/EG, 2011/65/EU (RoHs 2)
- > Standards DIN EN 61000-6-2, DIN EN 61000-6-3, DIN EN 60335-1, DIN EN 60529, DIN EN 61558-1, DIN EN 61558-2-16

<b>WIDTH</b>	<b>48 MM</b>
<b>HEIGHT</b>	<b>20 MM</b>
<b>PROJECTION</b>	<b>48 MM</b>





25241

## BATTERY PACK

- > Output: 6V DC
- > Battery type: CR-P2
- > IP rate: IP 64

> Requires a 6V lithium battery (CR-P2, approx. 1.500mAh) which has a lifetime of 200.000 switching cycles or 3-5 years depending on user frequency.

> 70mm Cable (Approx)

> **Important note-** the battery unit can't be used in combination with the Bluetooth adaptor.

The battery unit contains the CR-P2 battery as delivery content. The housing enables a fixation on wall by using the mounting clips (part of the housing but screws are not included) or the rear affixed Velcro tape

HEIGHT	65 MM
WIDTH	60 MM
PROJECTION	27 MM

Dolphin Solutions Ltd  
Southpoint, Compass Park,  
Junction Road  
Bodiam, TN32 5BS,  
United Kingdom  
T +44 (0)1424 202 224  
[info@dolphinsolutions.co.uk](mailto:info@dolphinsolutions.co.uk)  
[dolphinsolutions.co.uk](http://dolphinsolutions.co.uk)

© Dolphin Solutions Ltd

