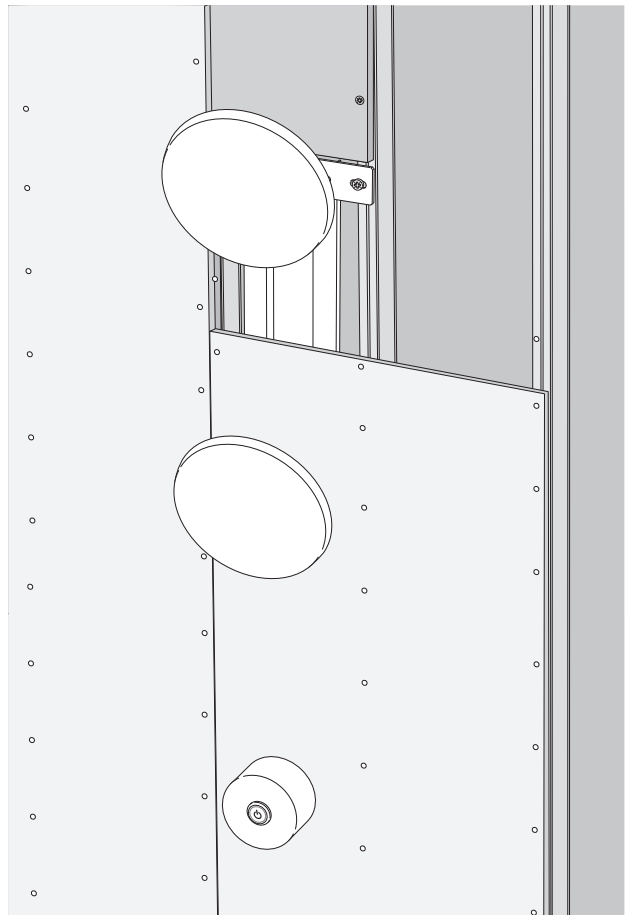
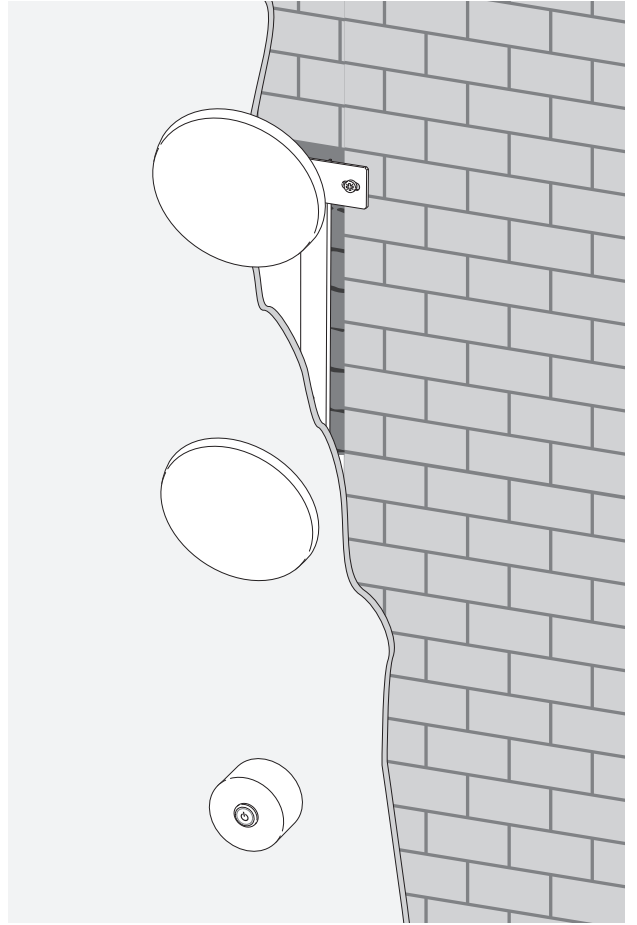
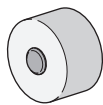
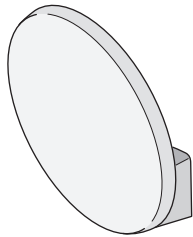
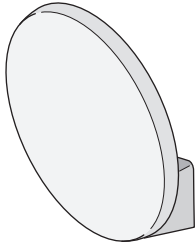
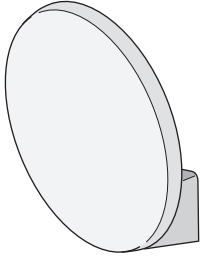
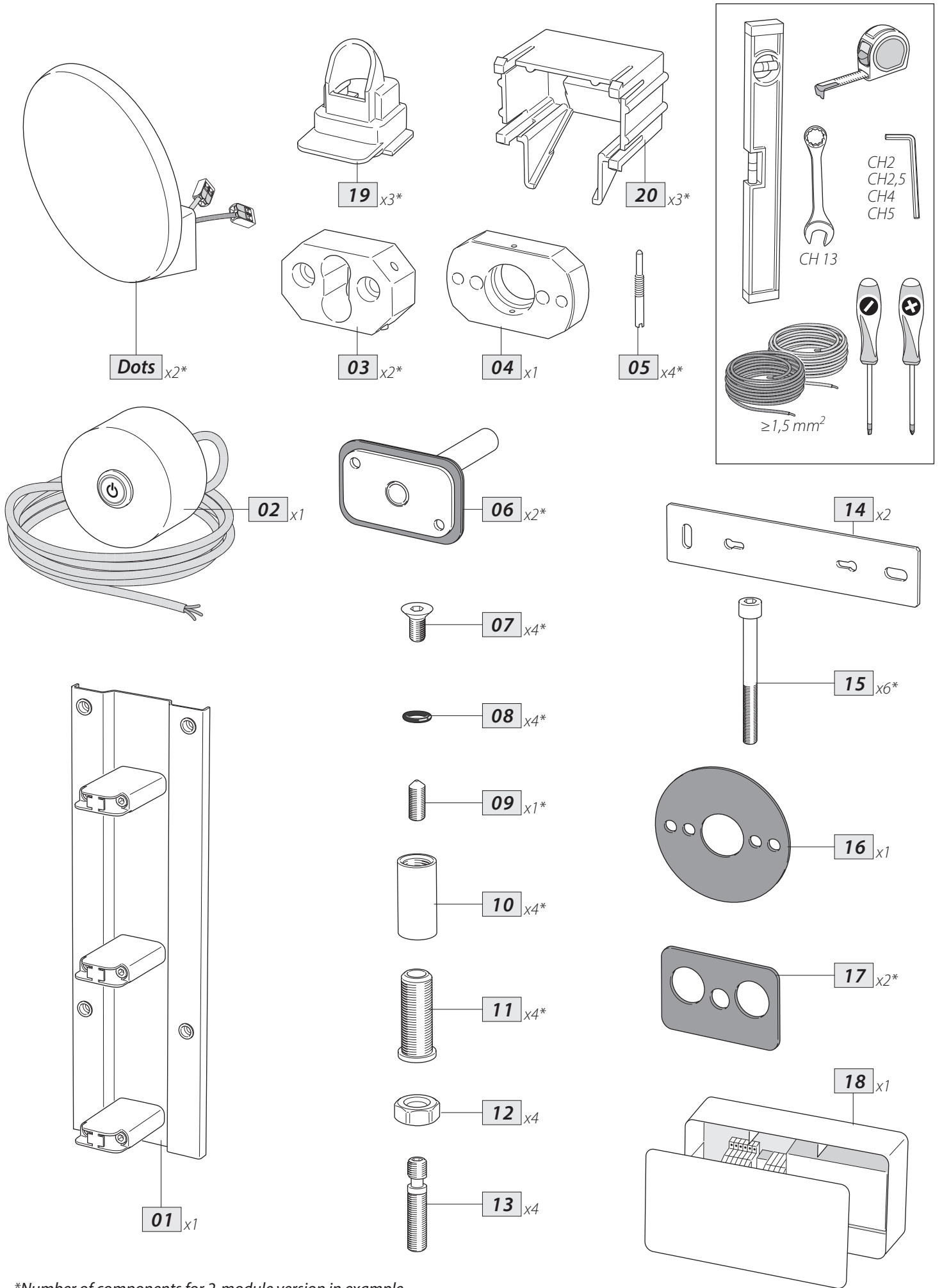
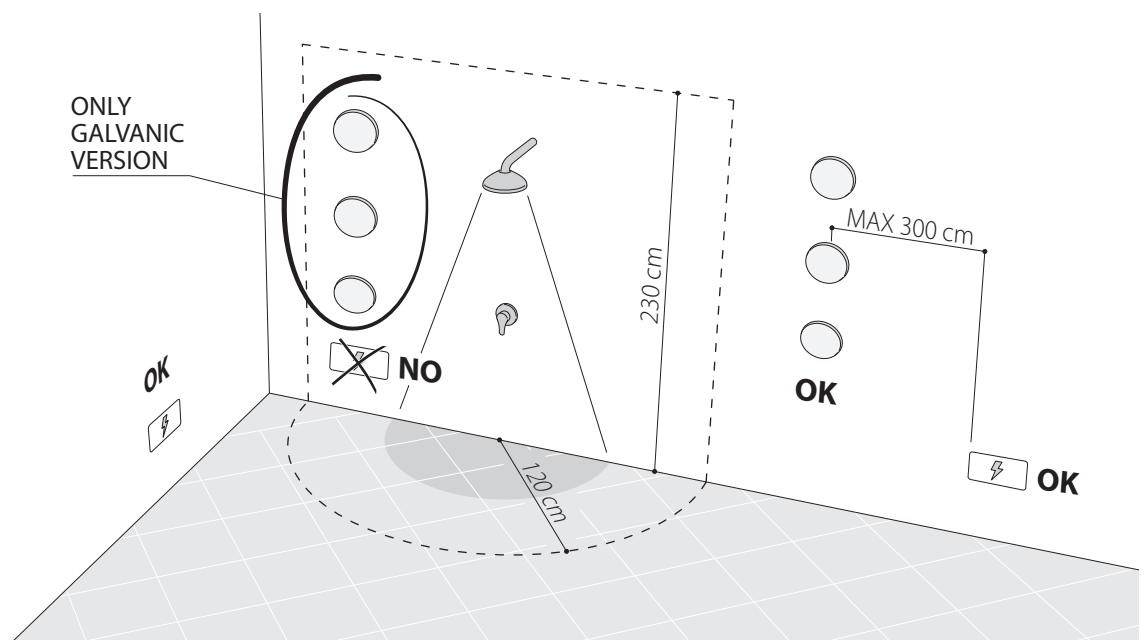
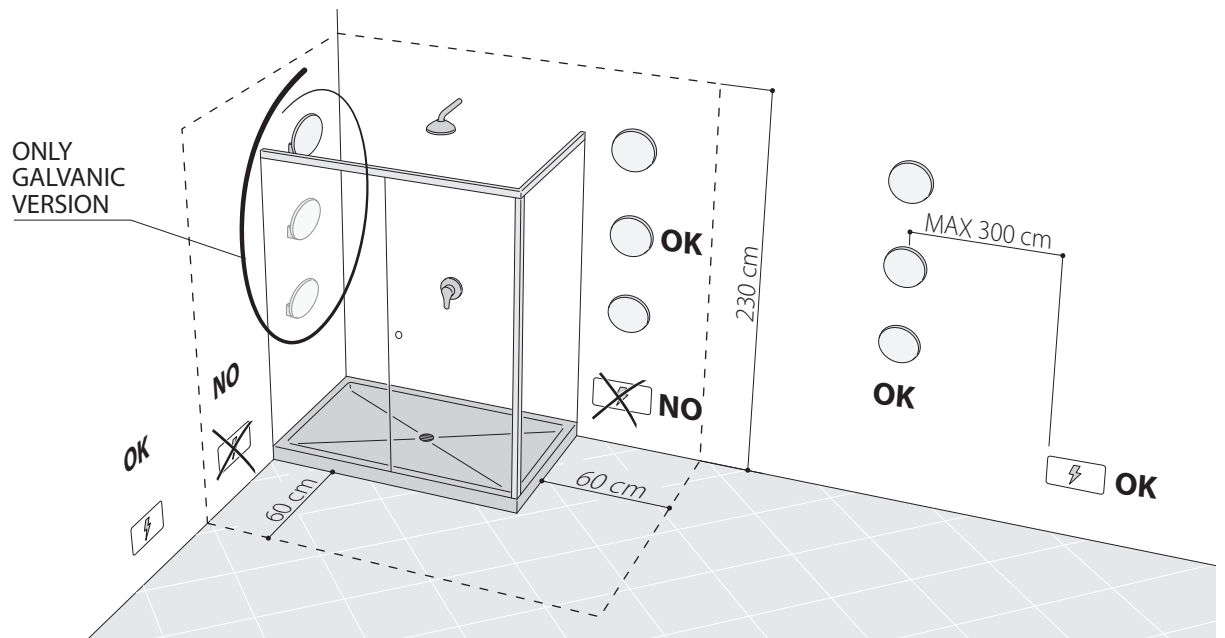
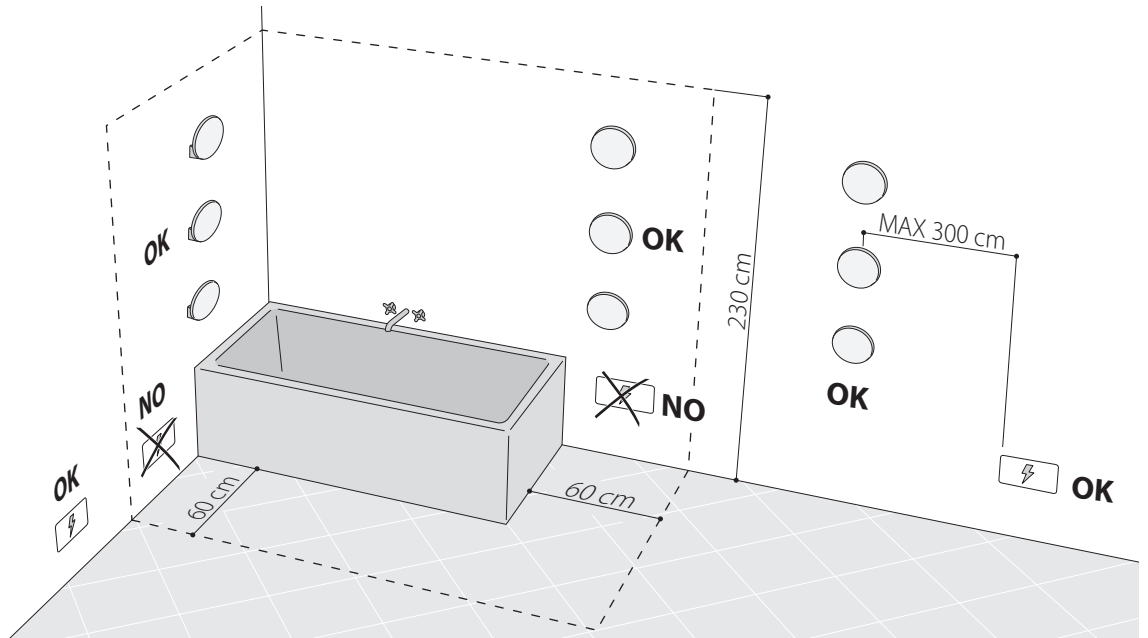


TUBES

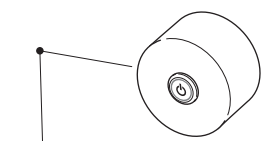
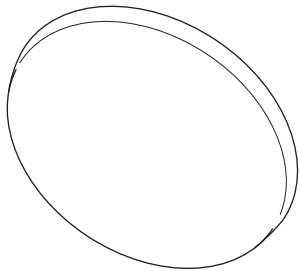
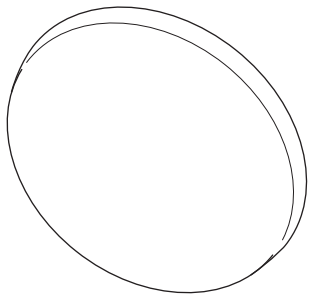




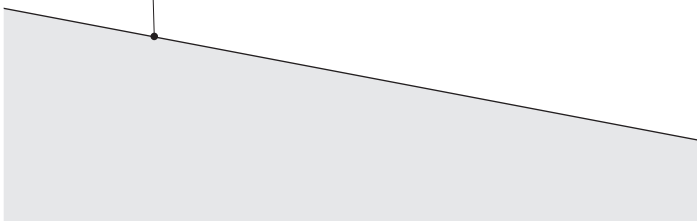
*Number of components for 2-module version in example



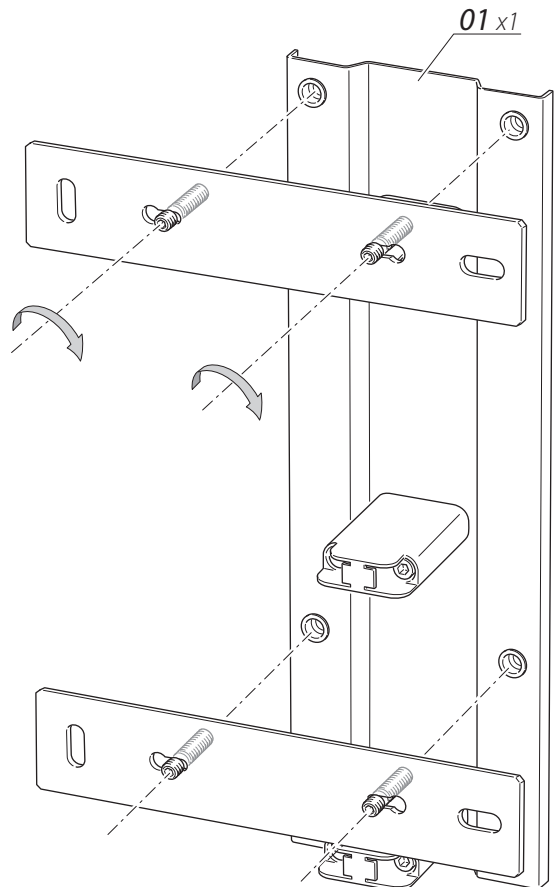
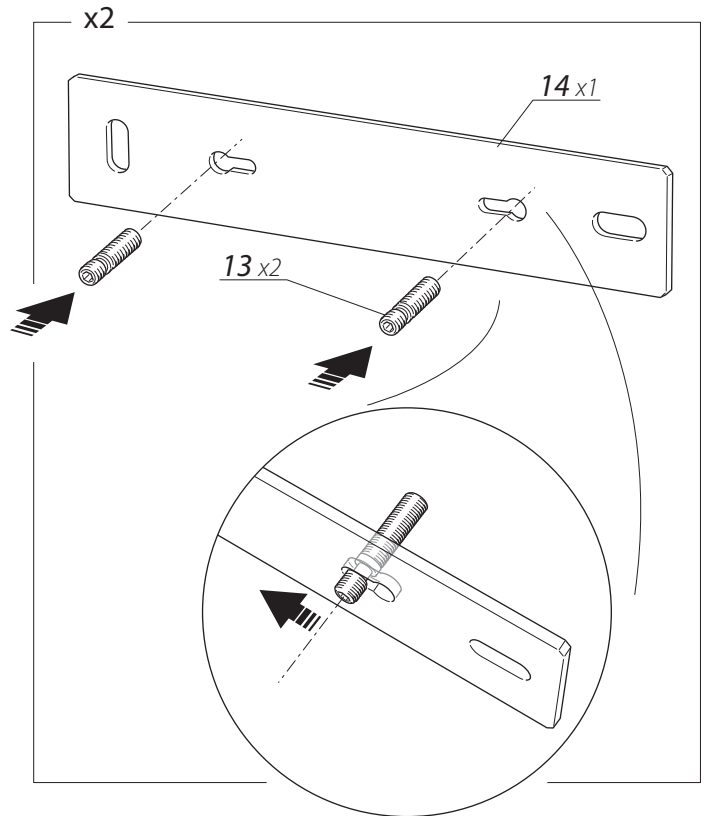
1



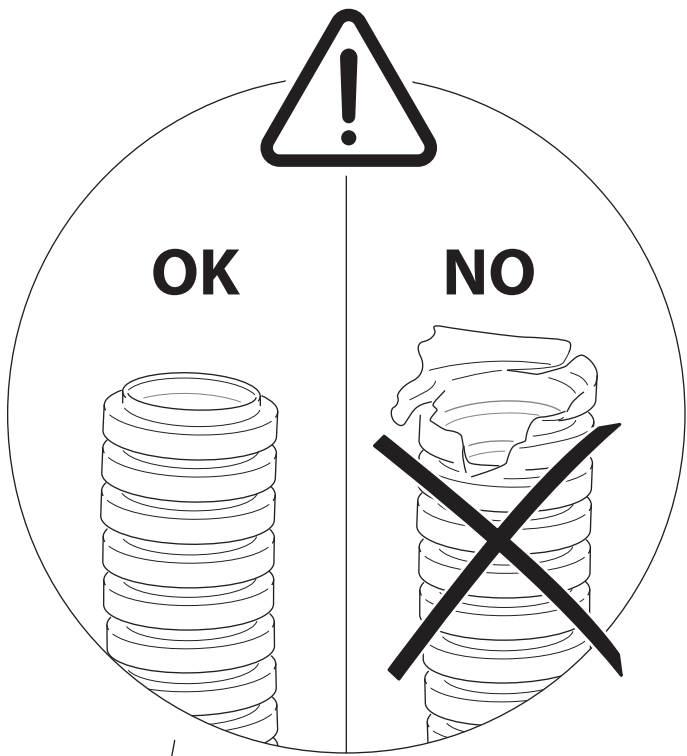
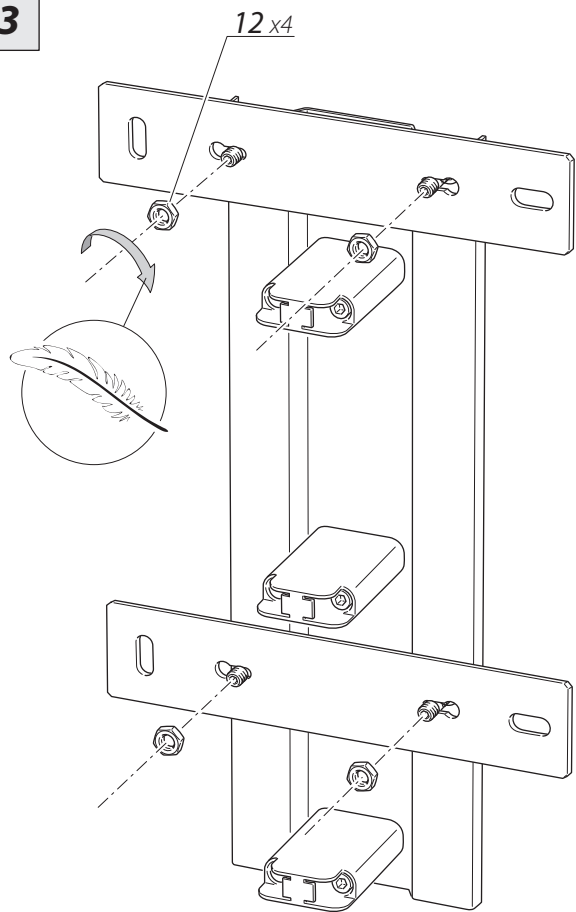
min
60 cm



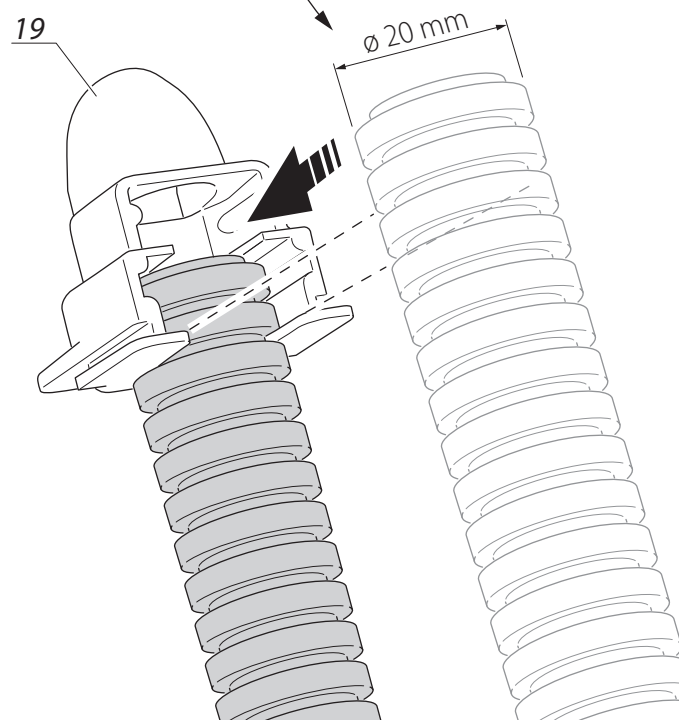
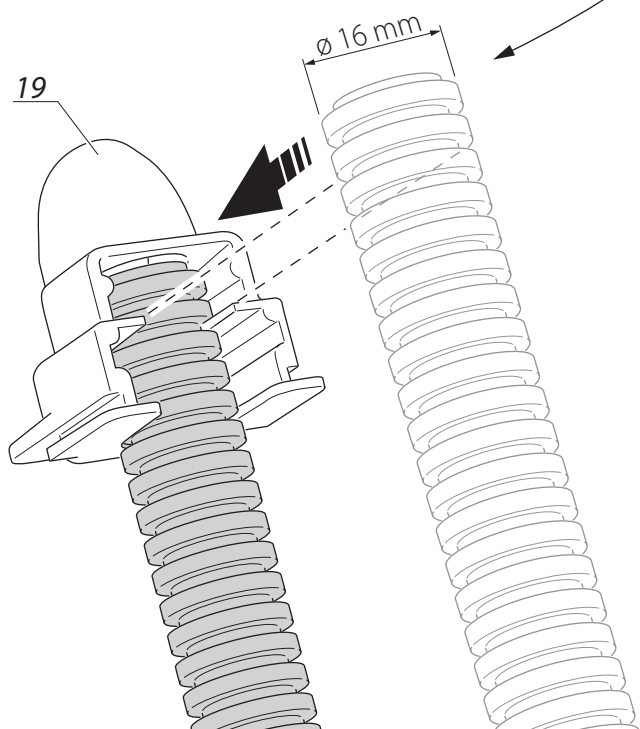
2



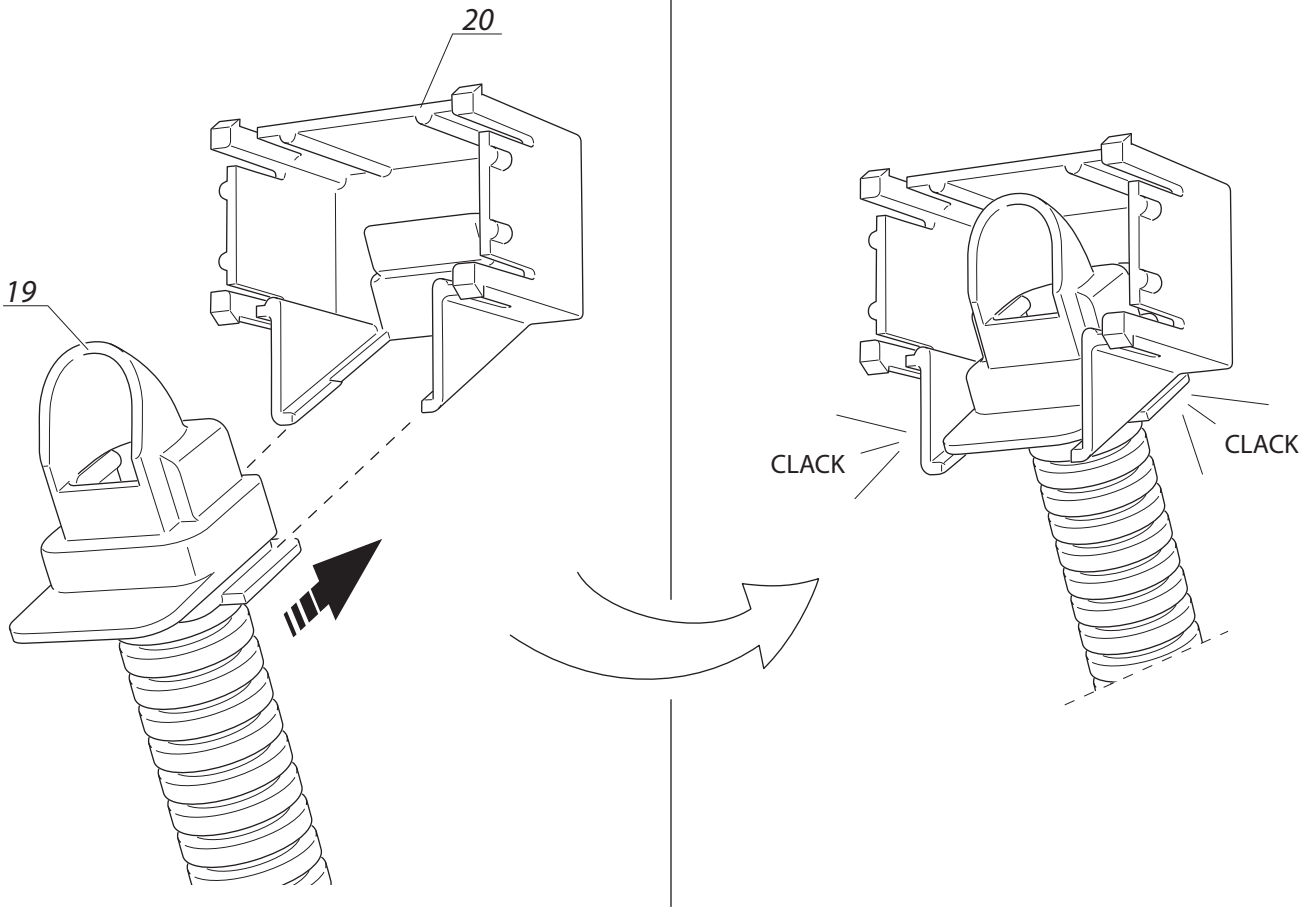
3



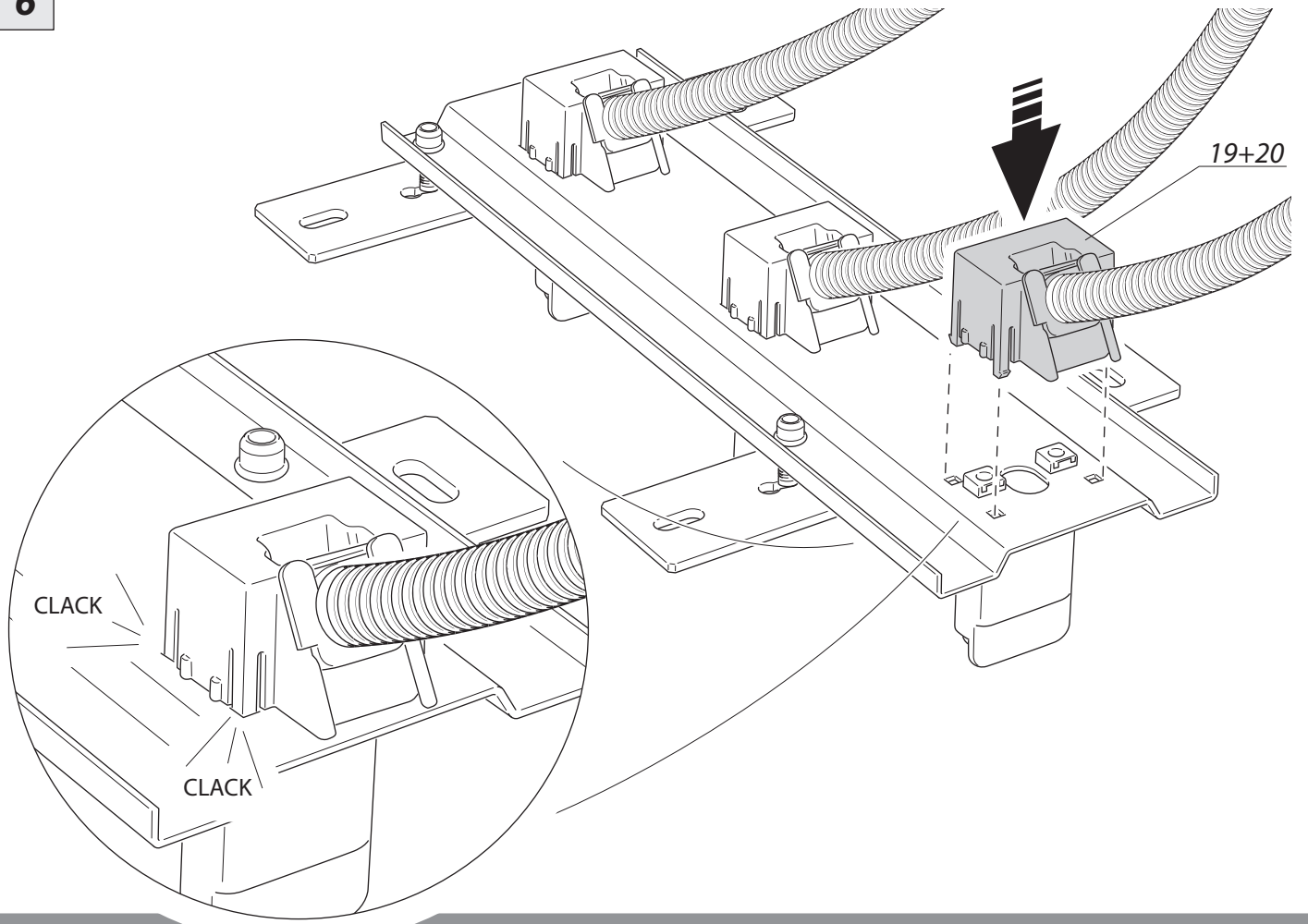
4



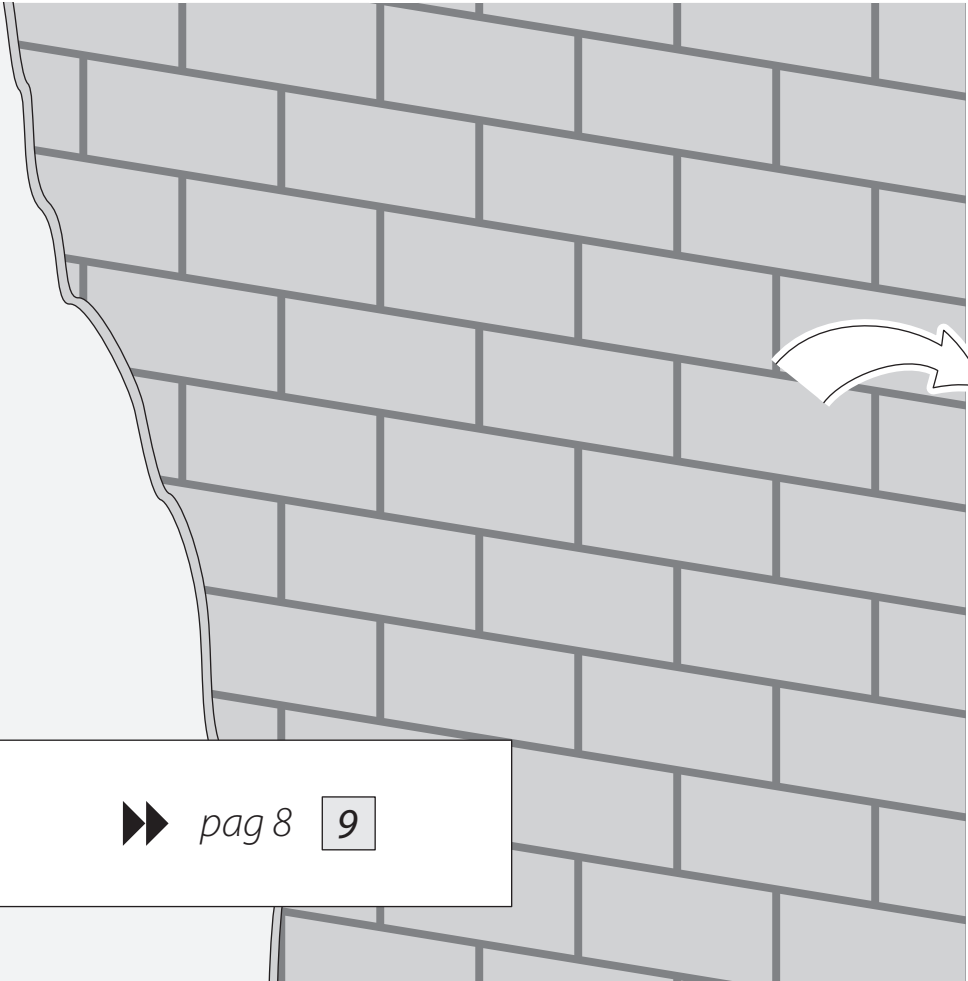
5



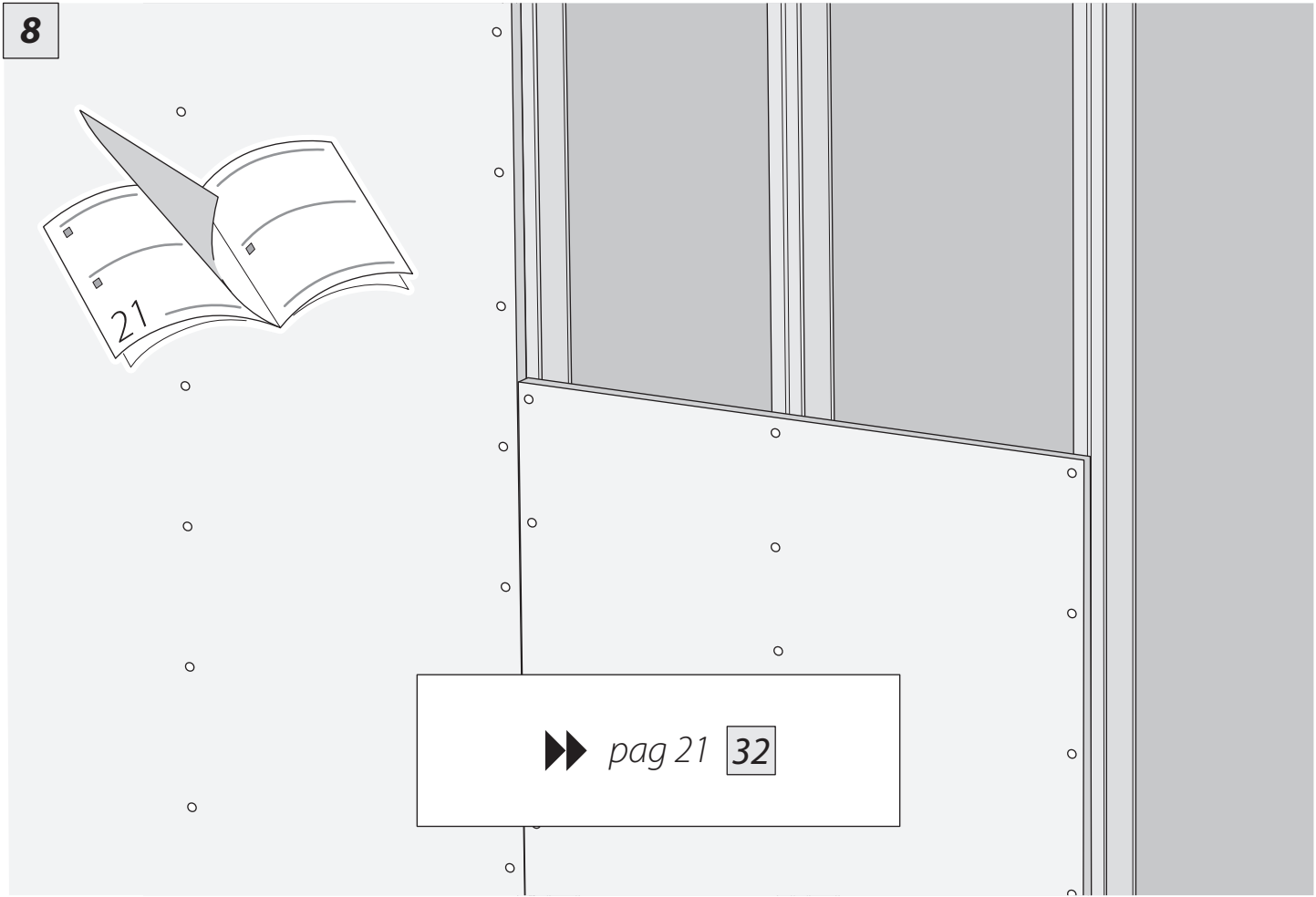
6



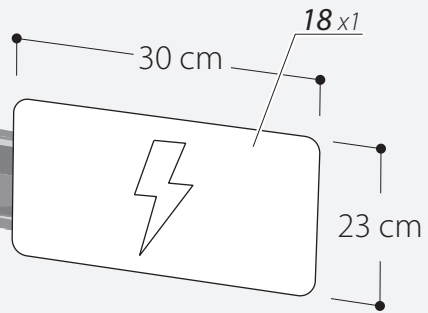
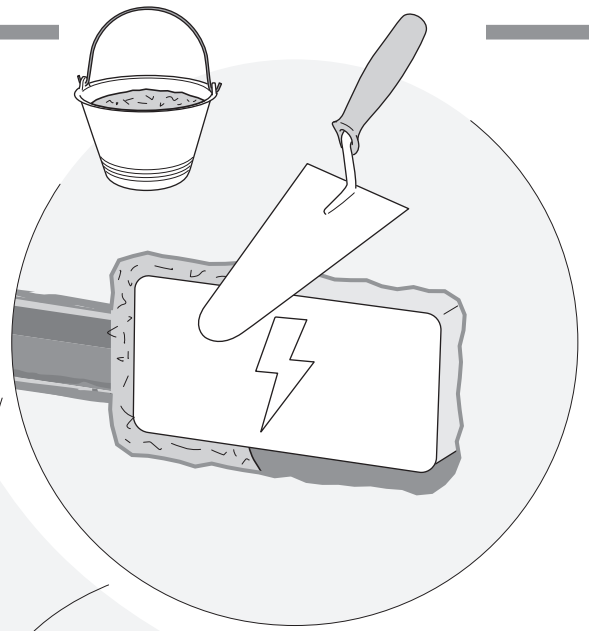
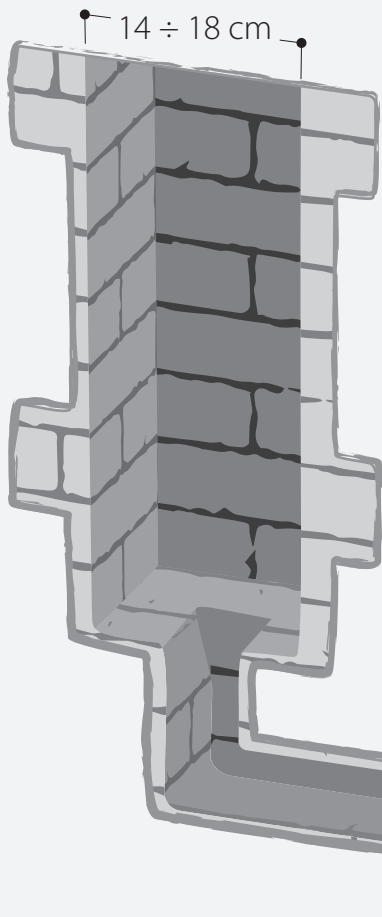
7



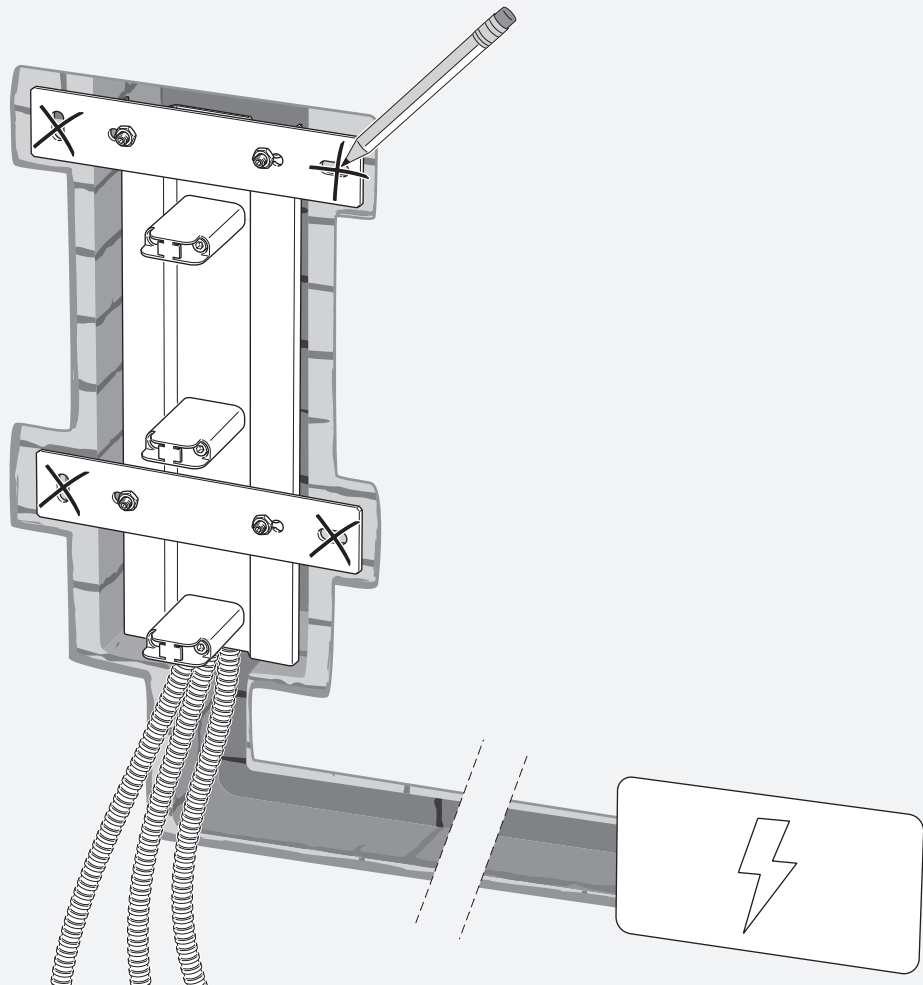
8



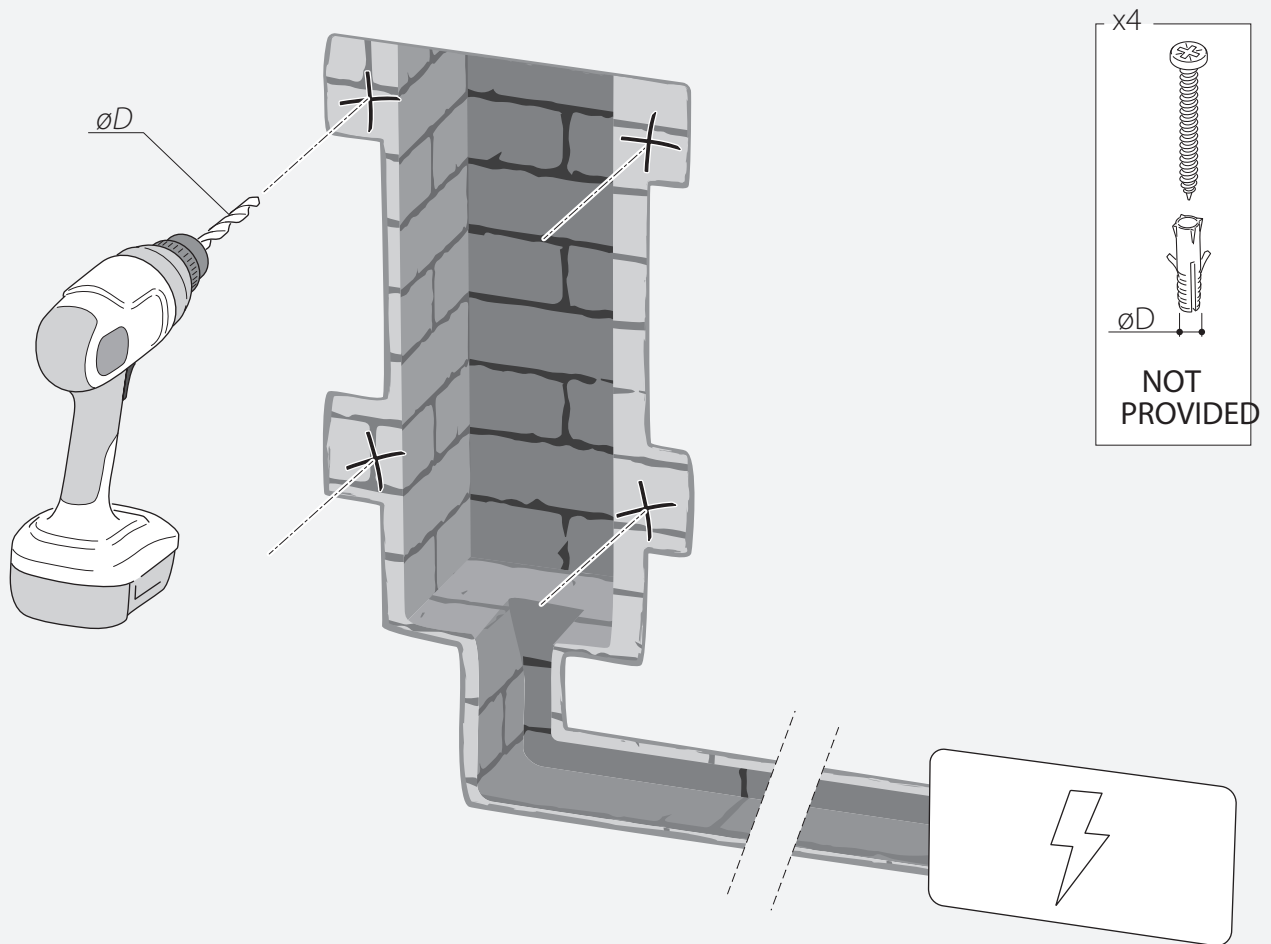
9



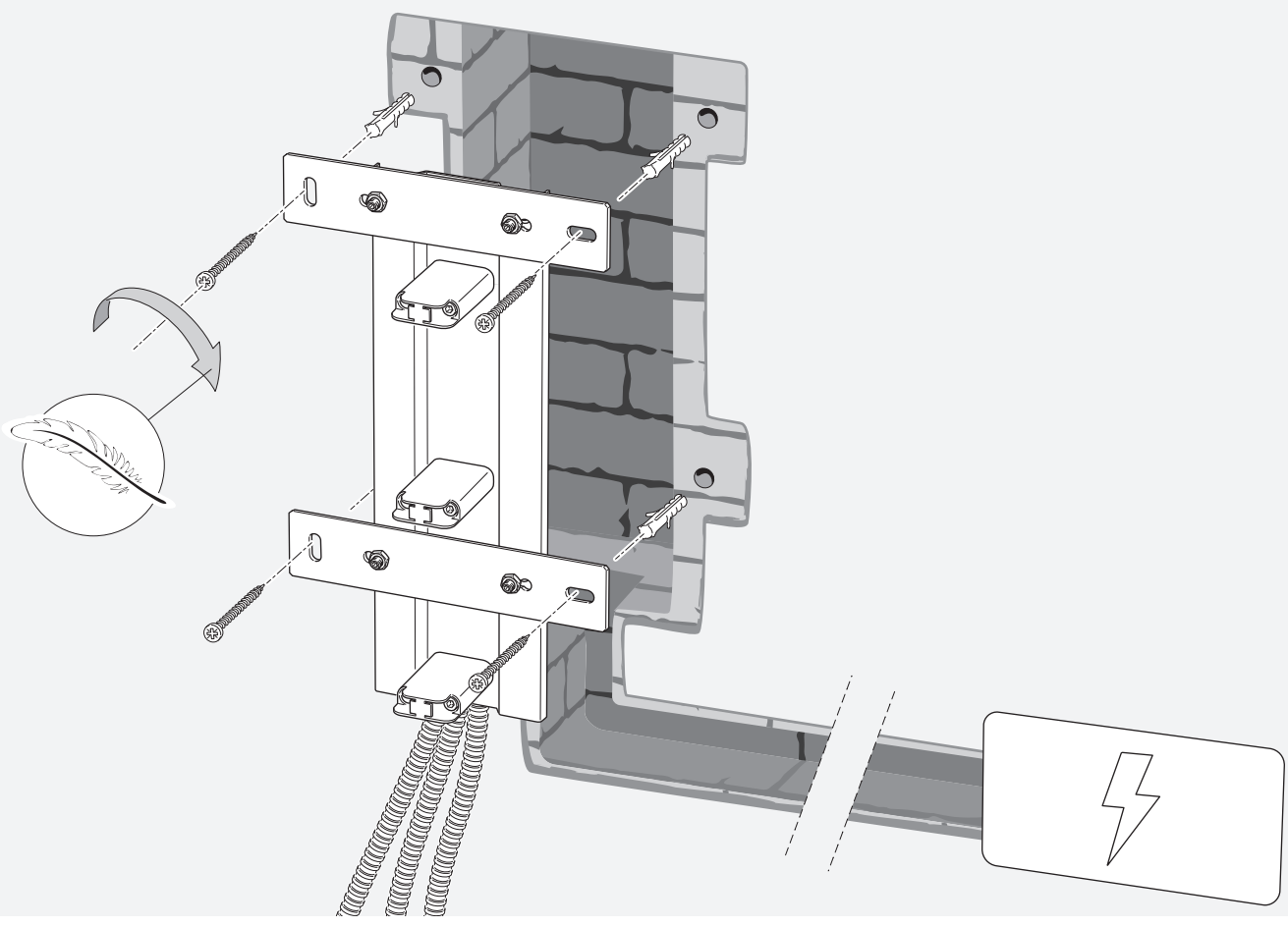
10



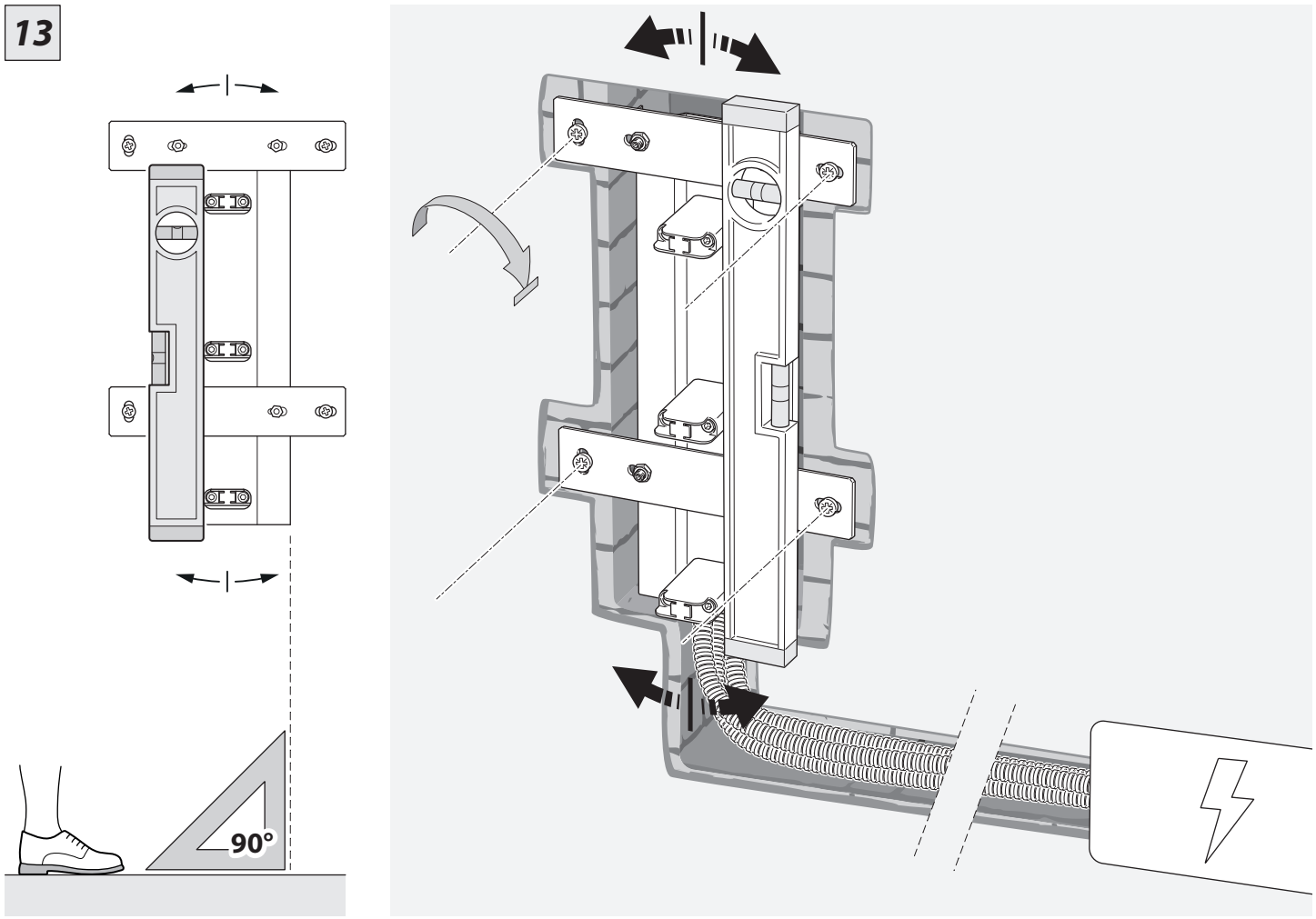
11



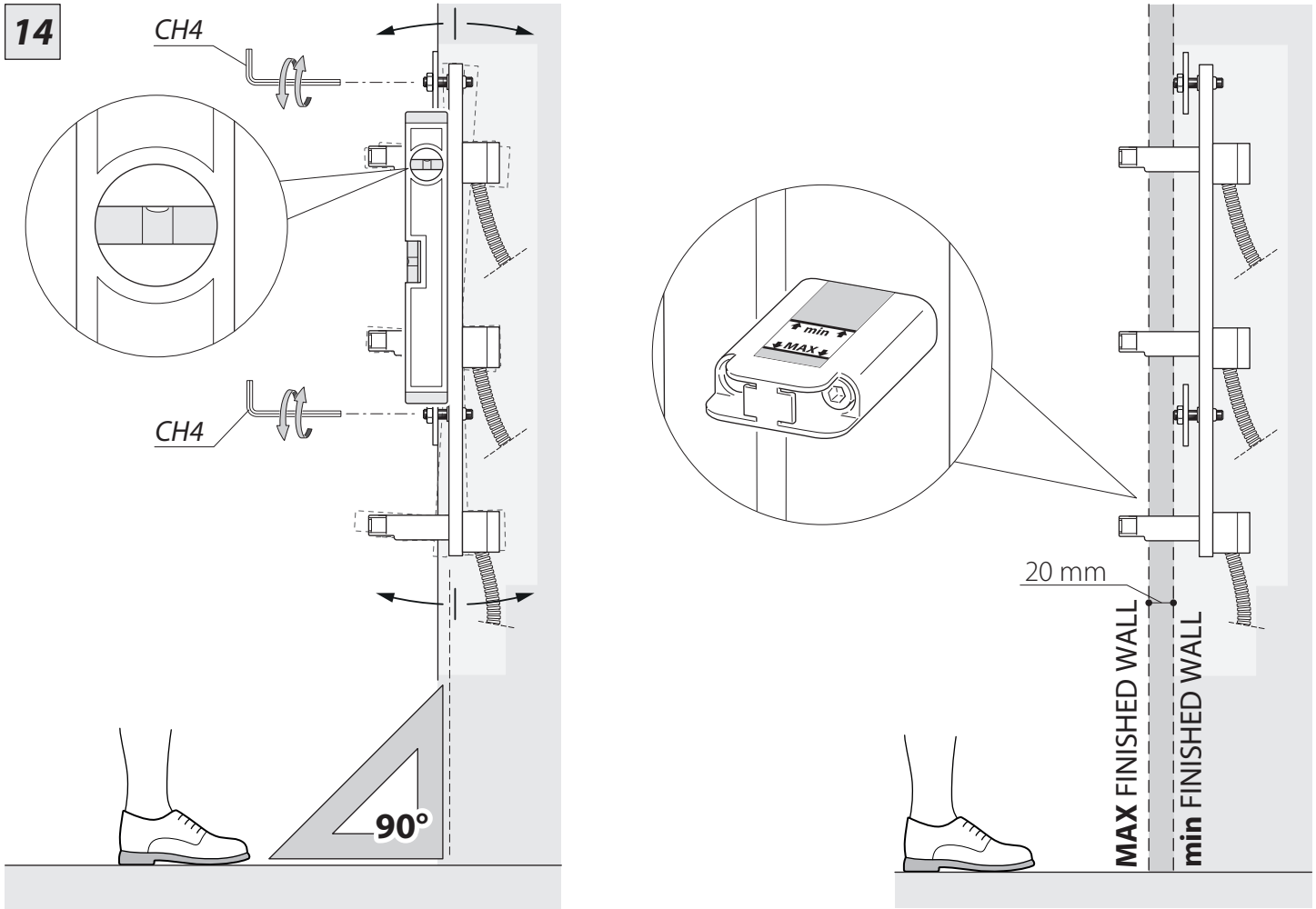
12



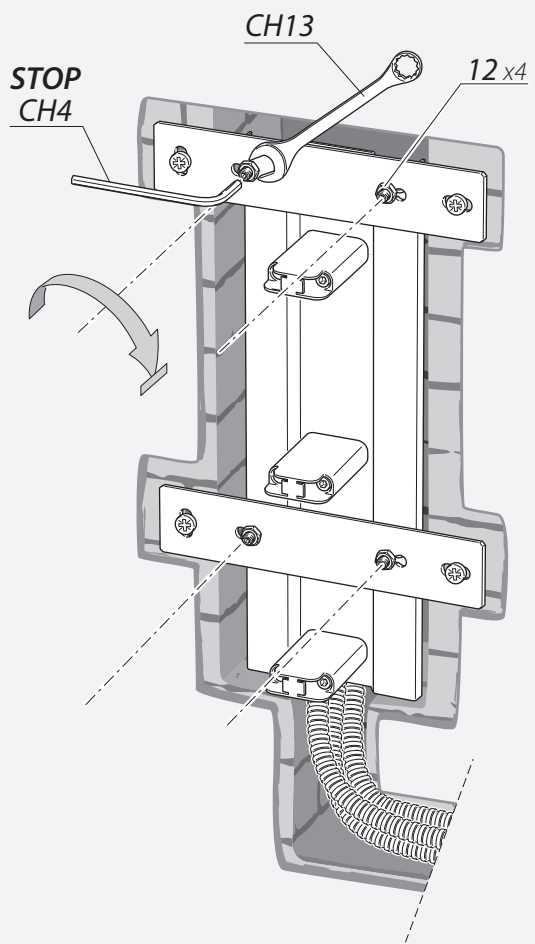
13



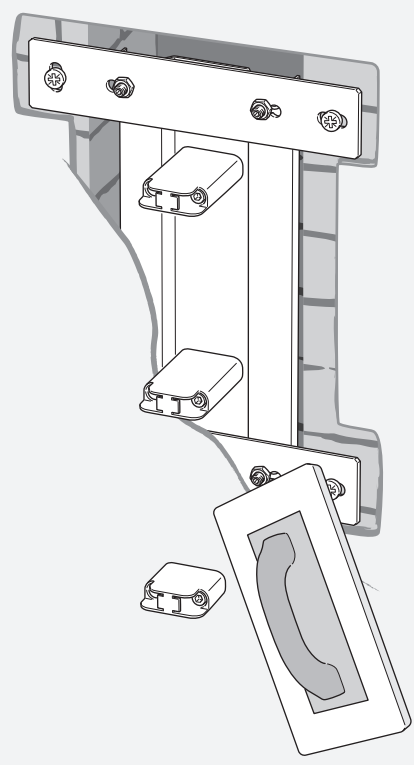
14



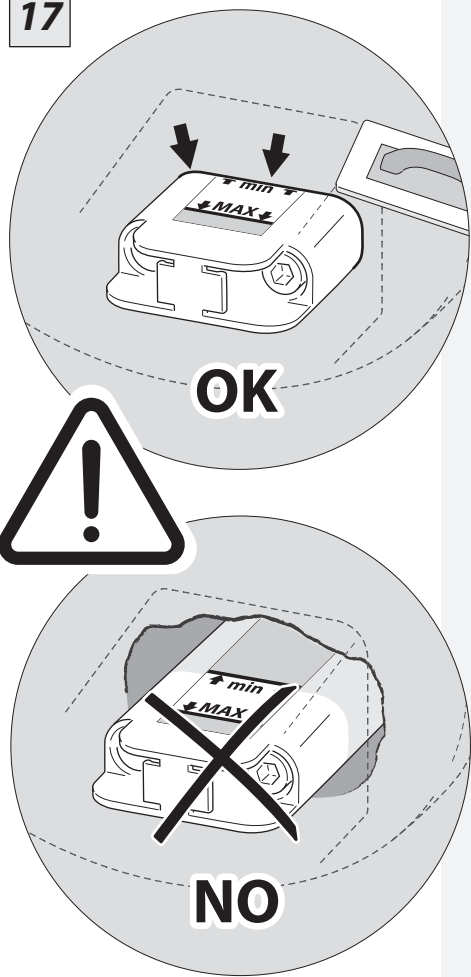
15



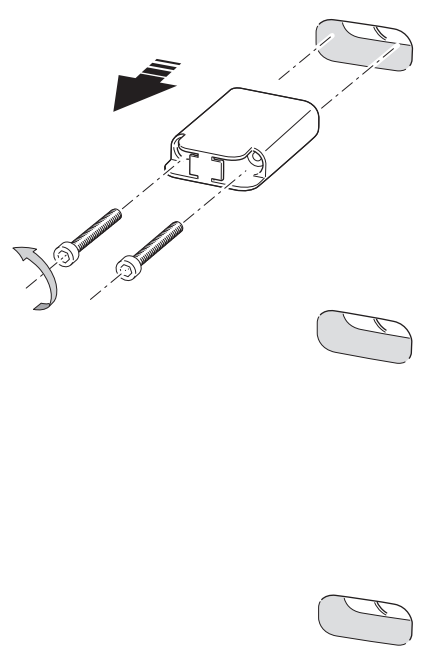
16

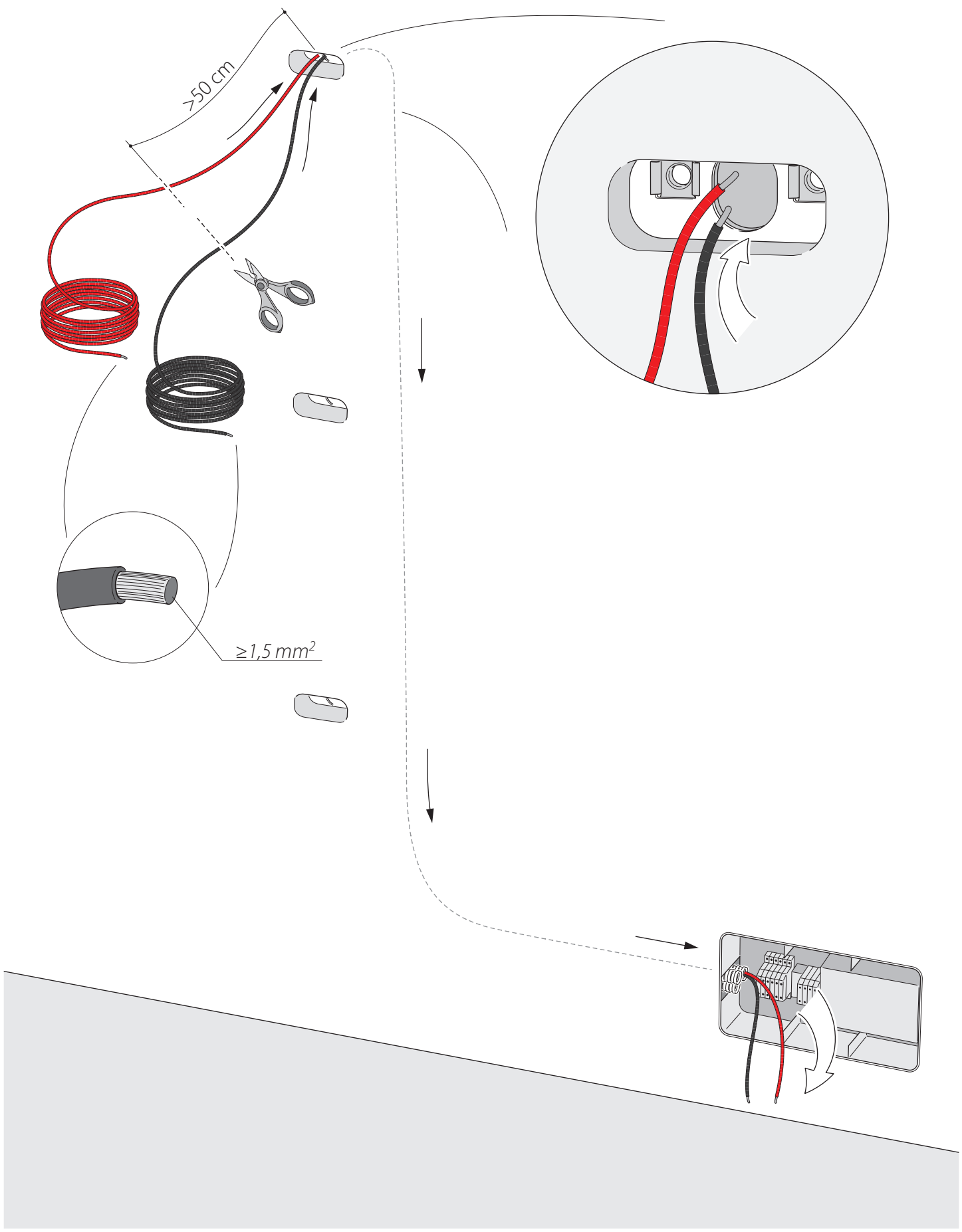


17

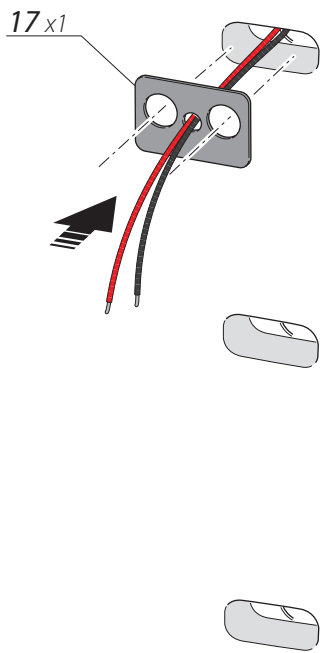


18

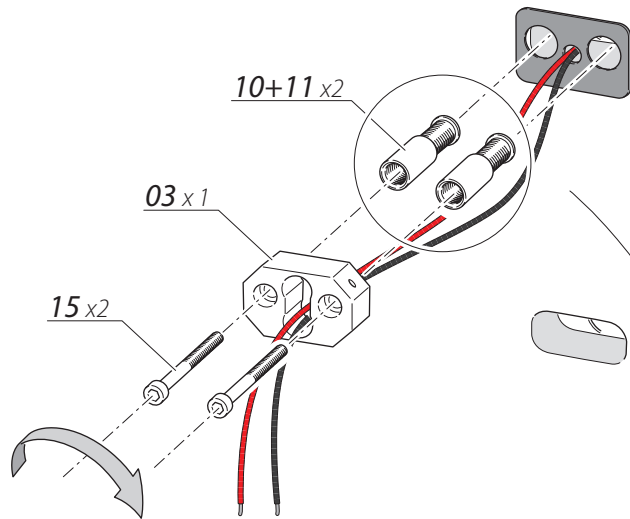




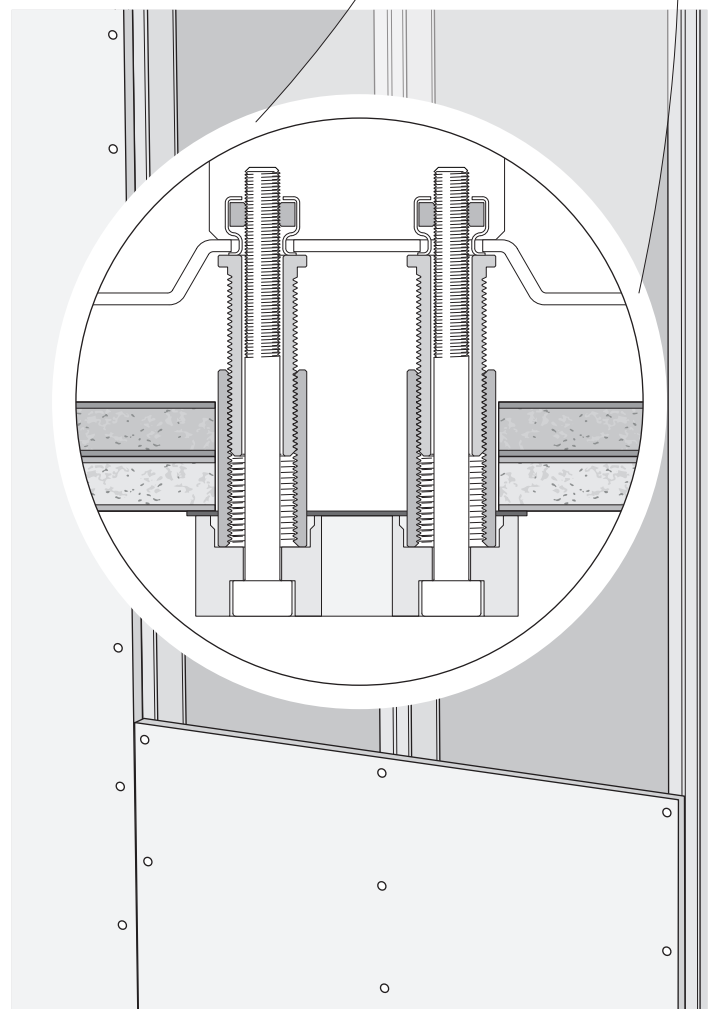
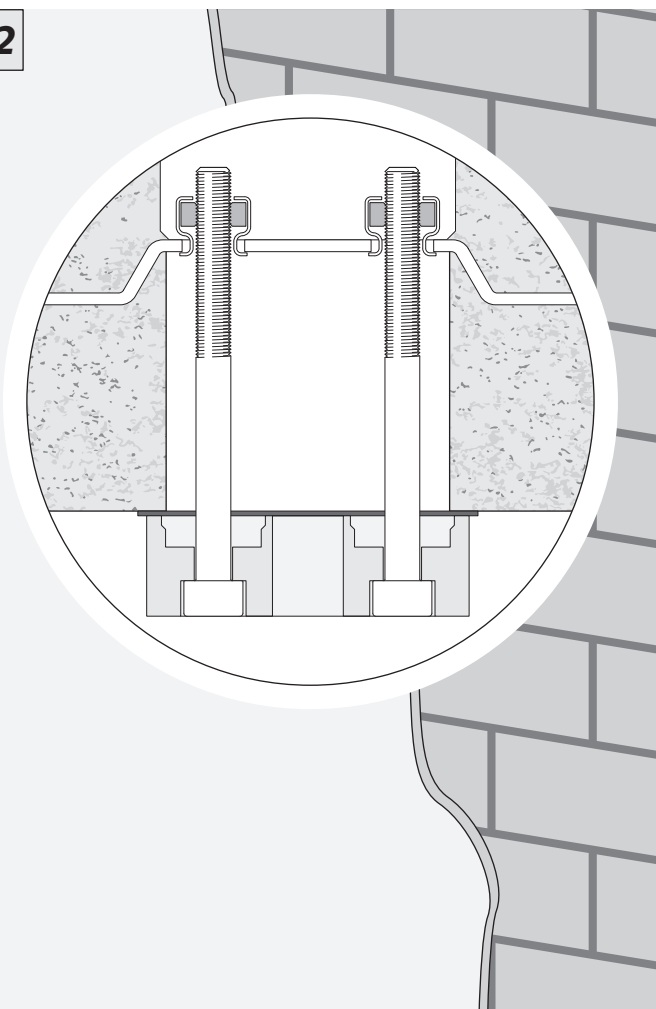
20

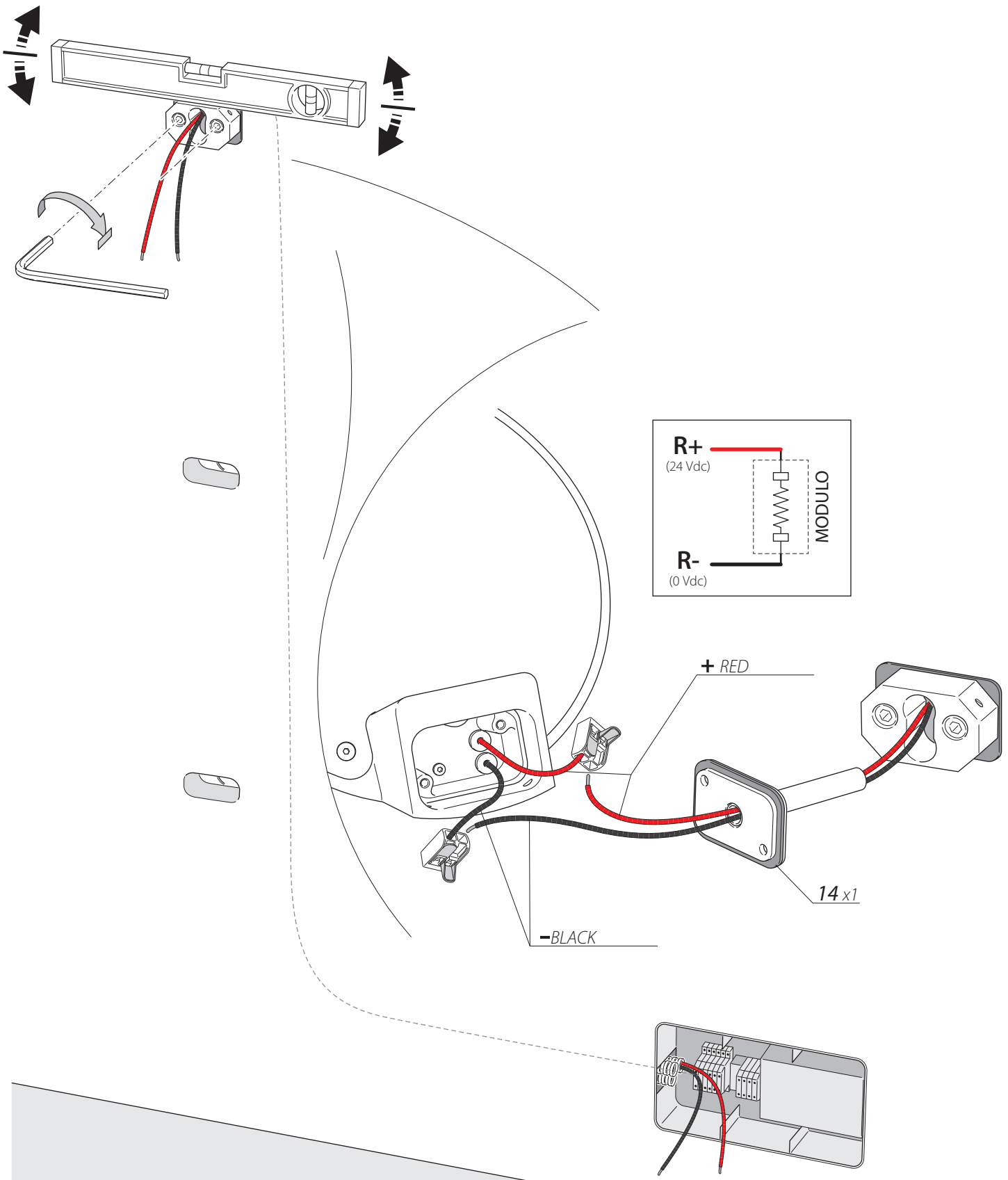


21

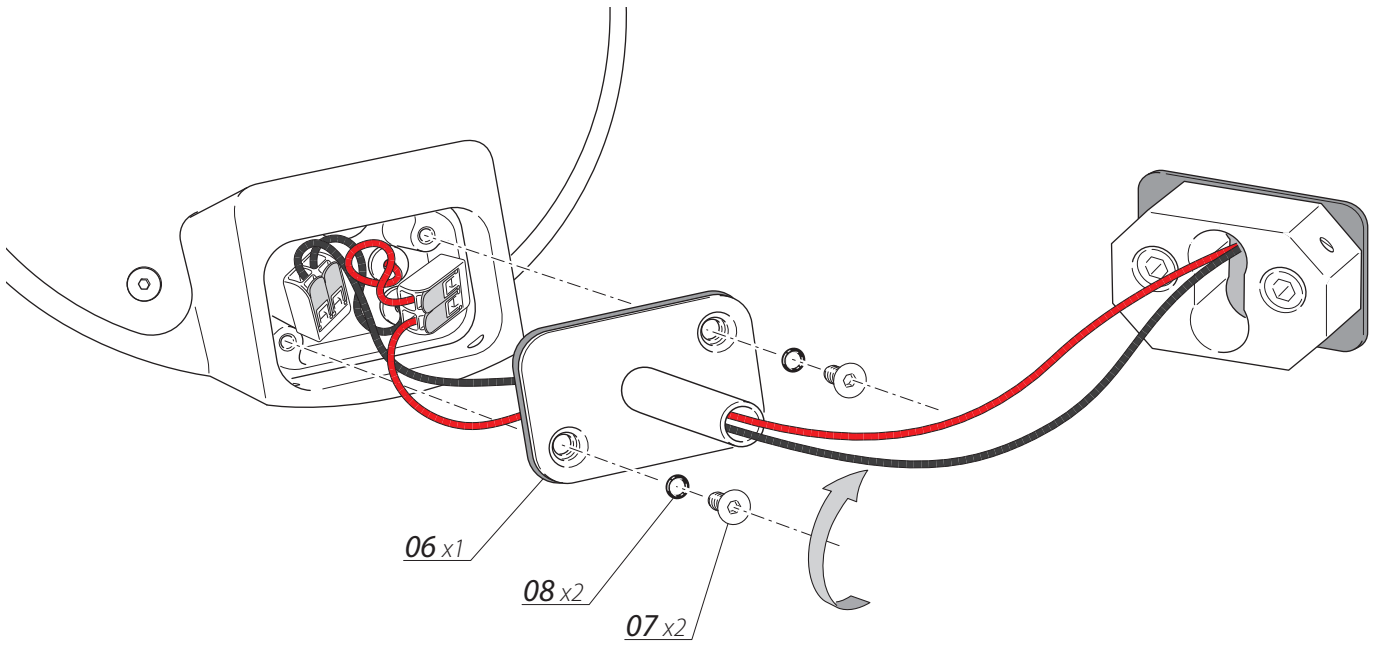


22

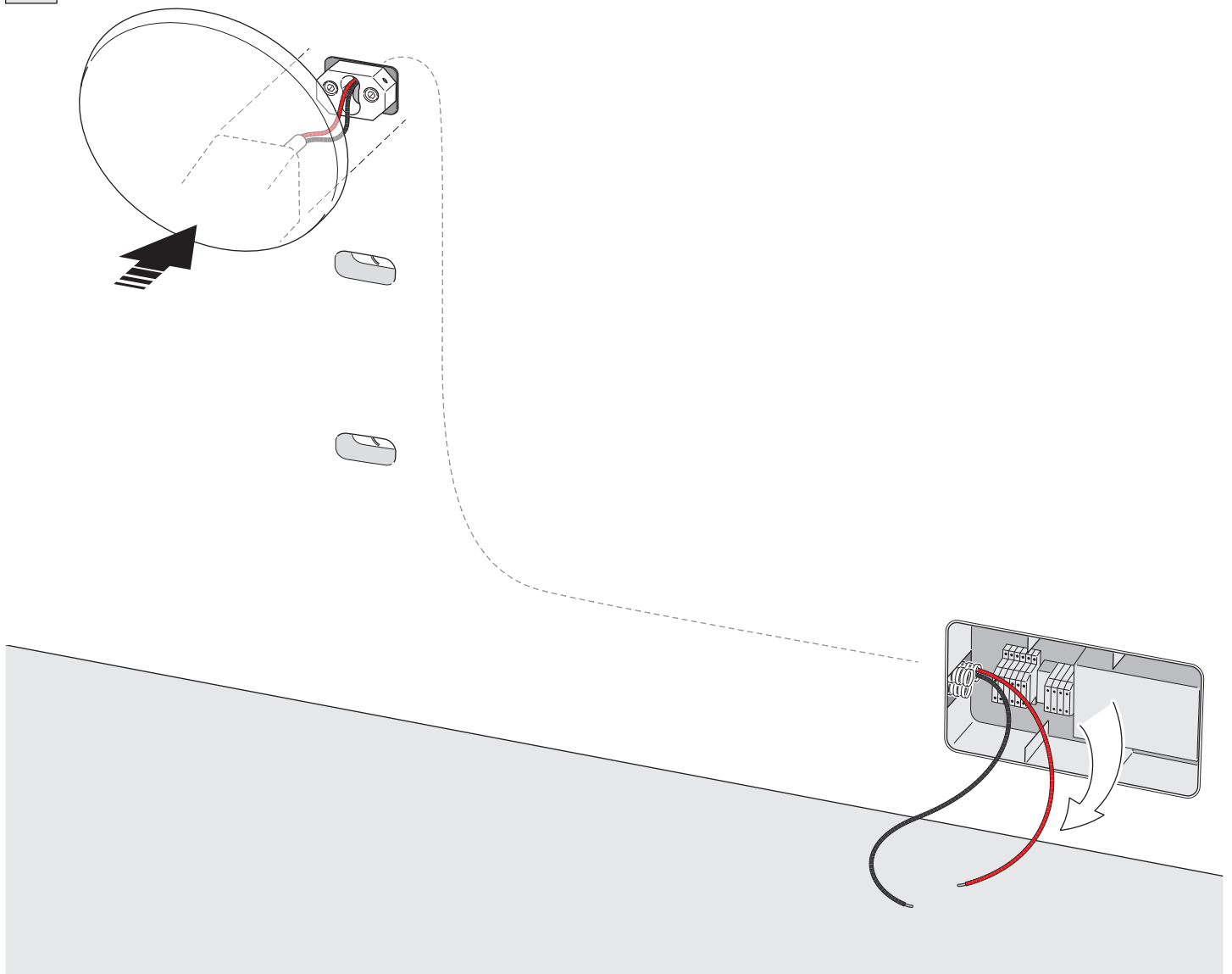




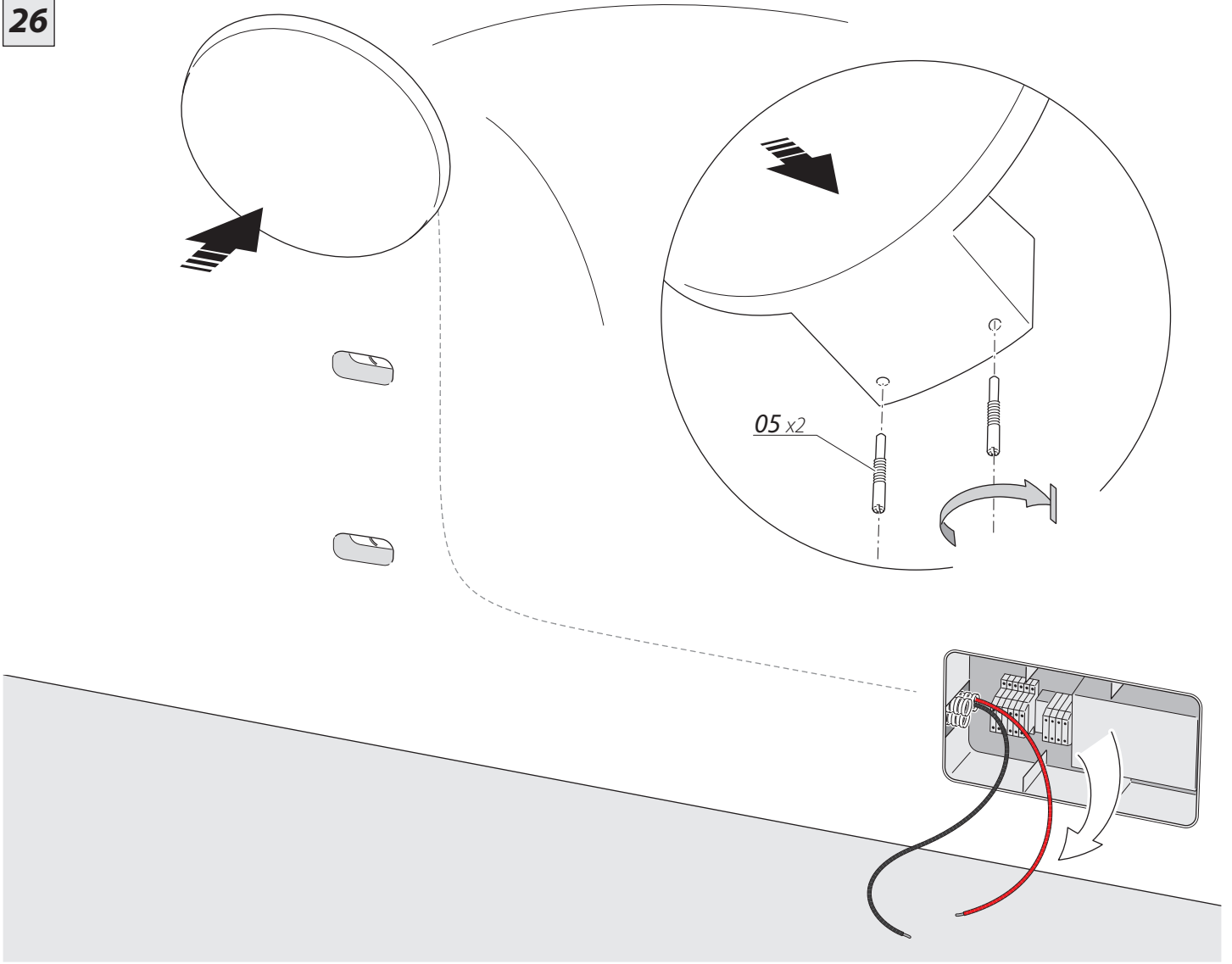
24



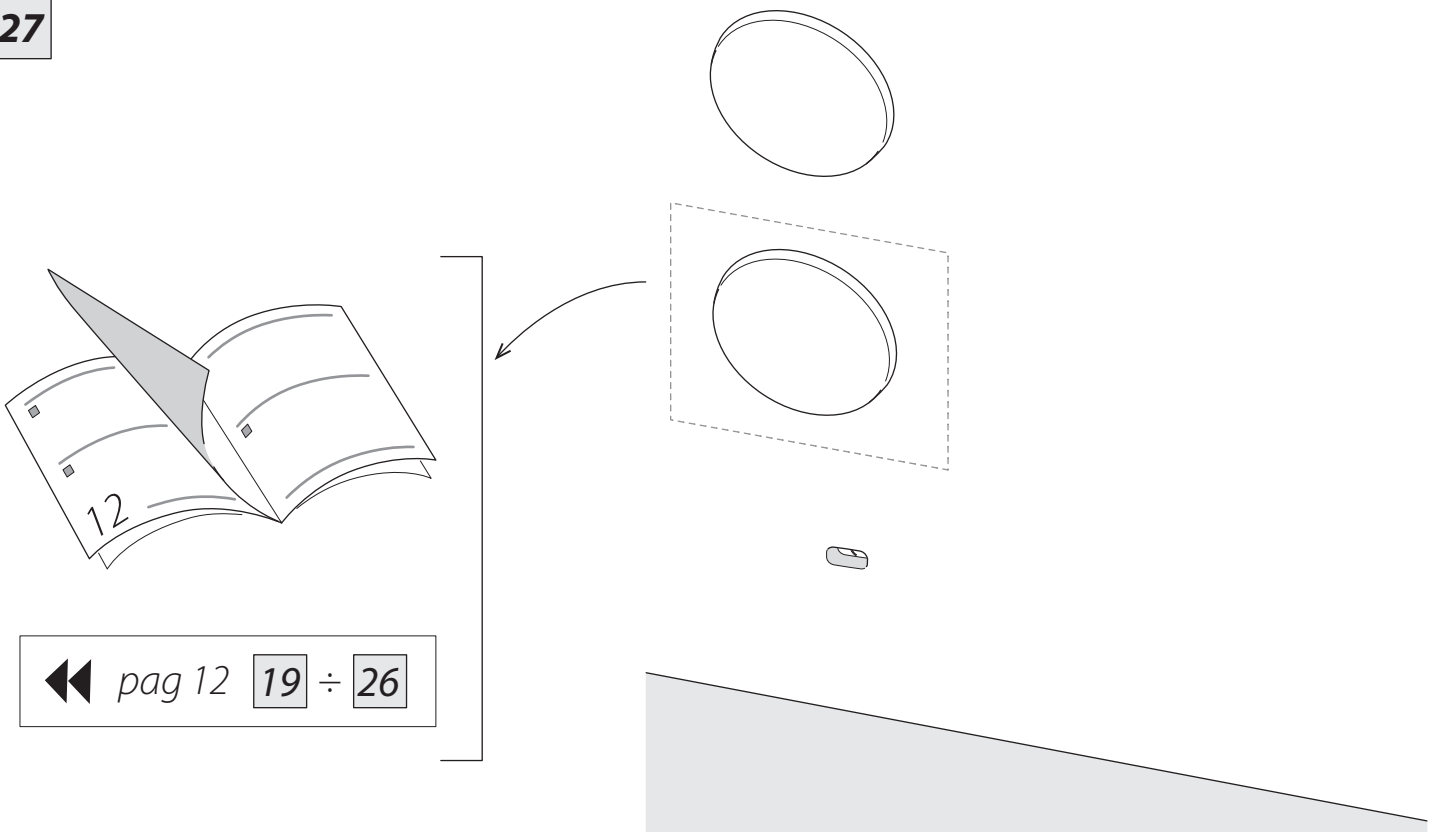
25



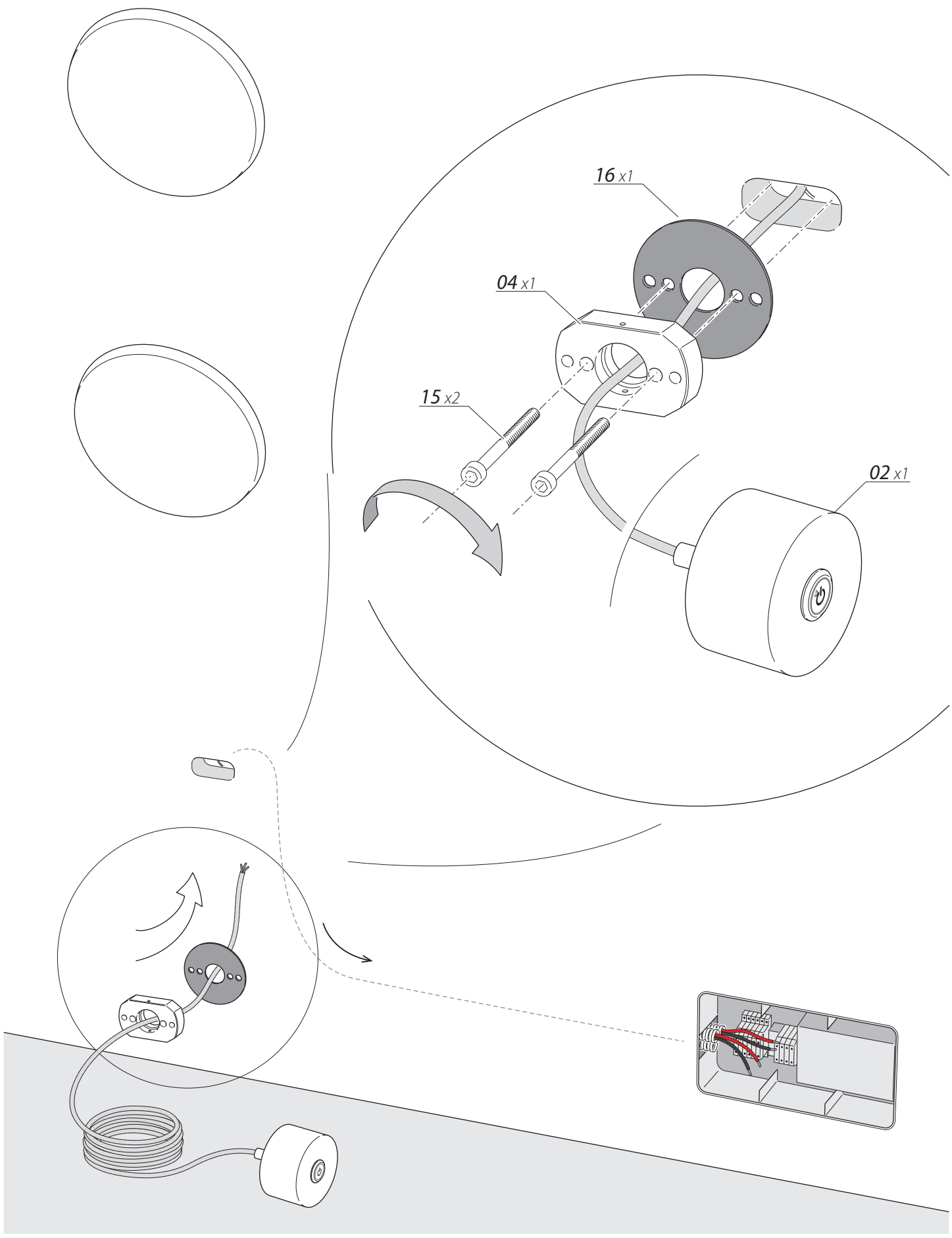
26

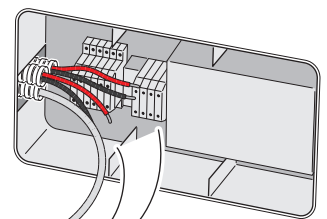
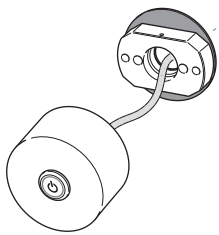
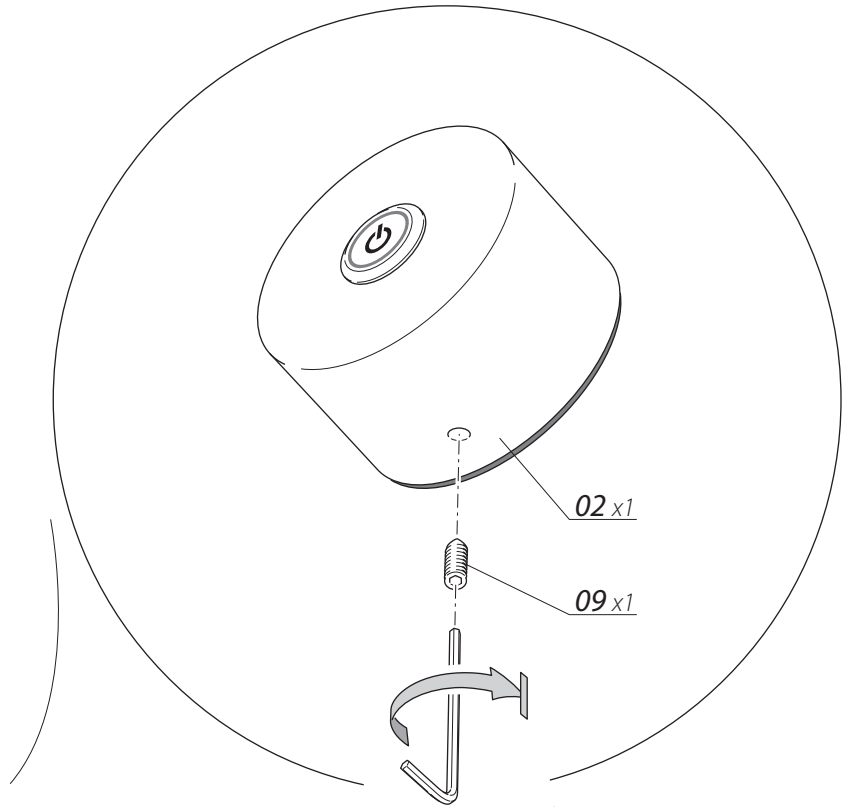
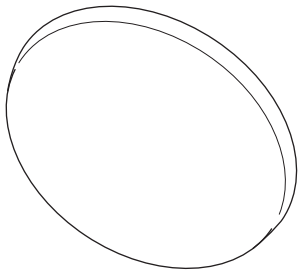
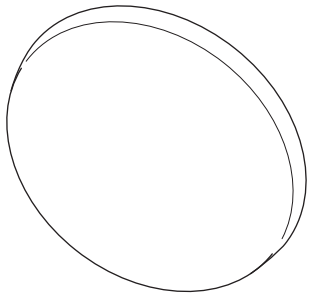


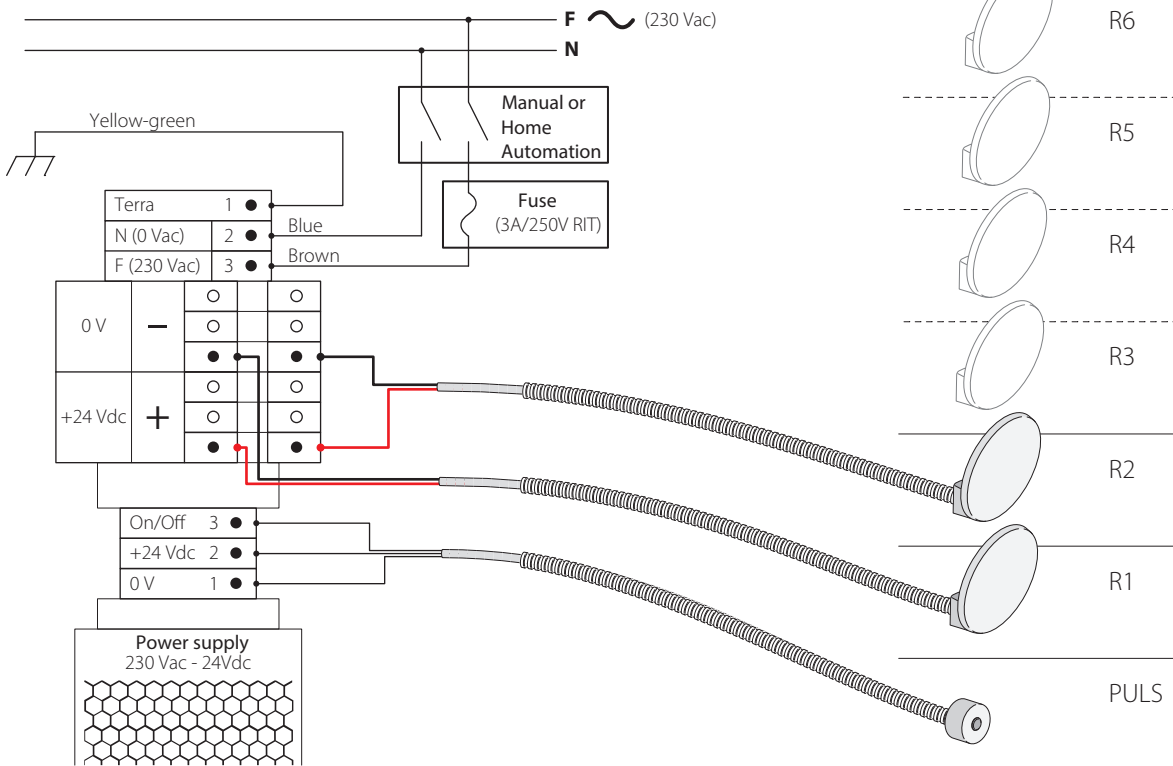
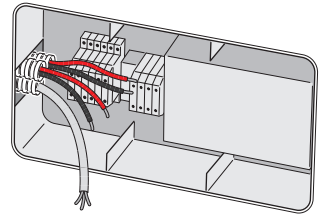
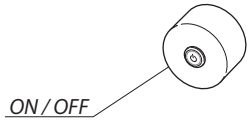
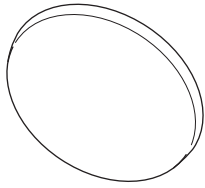
27

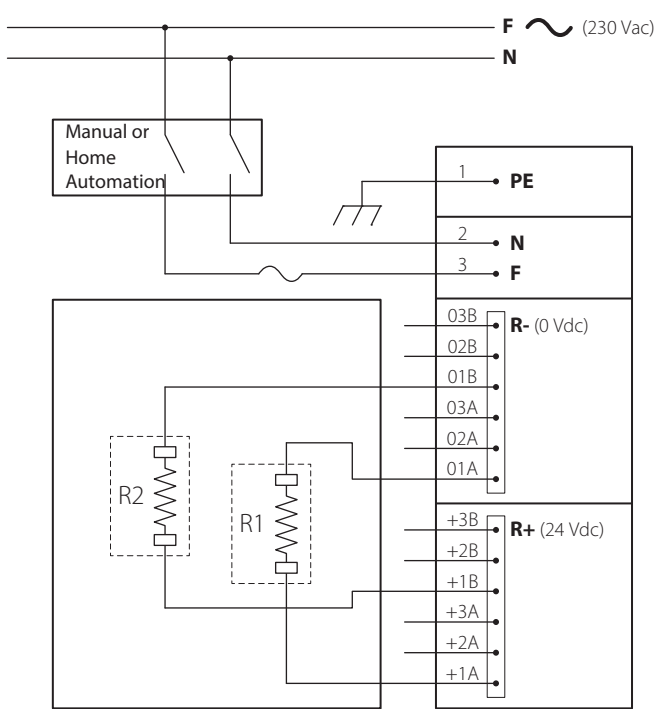
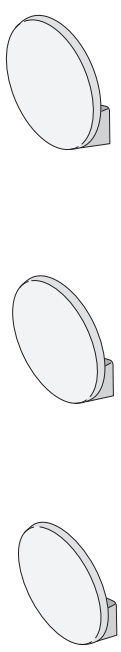
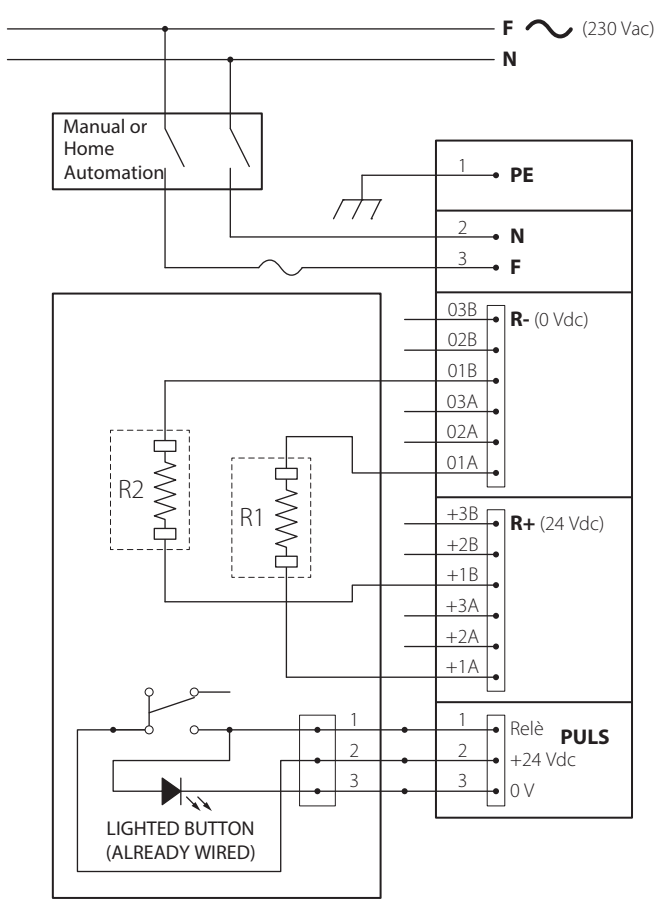
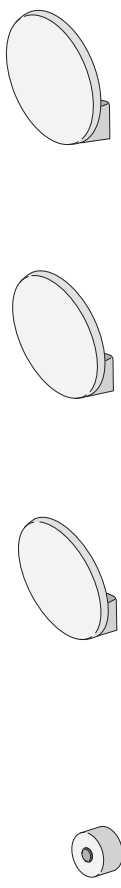


◀ pag 12 19 ÷ 26

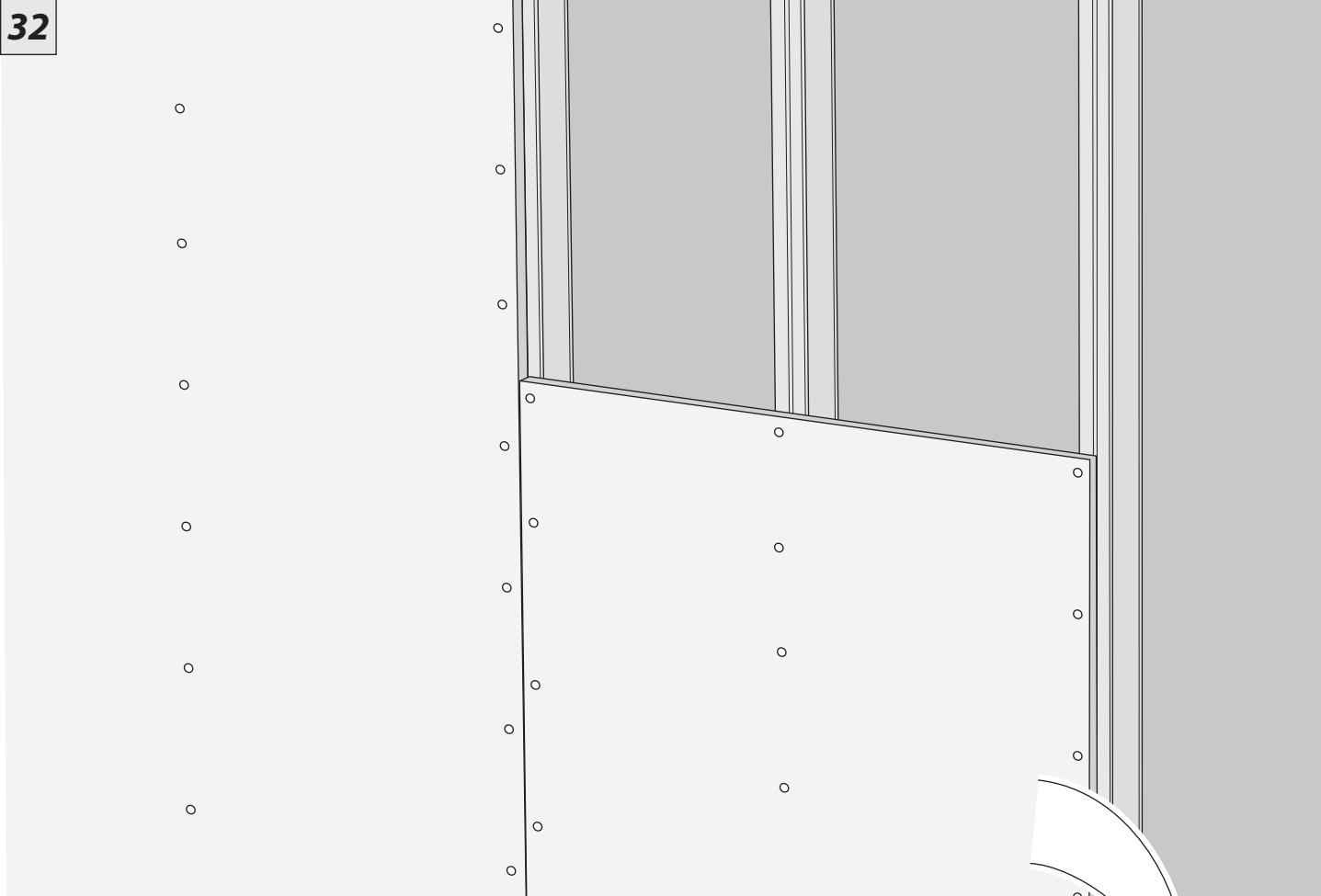




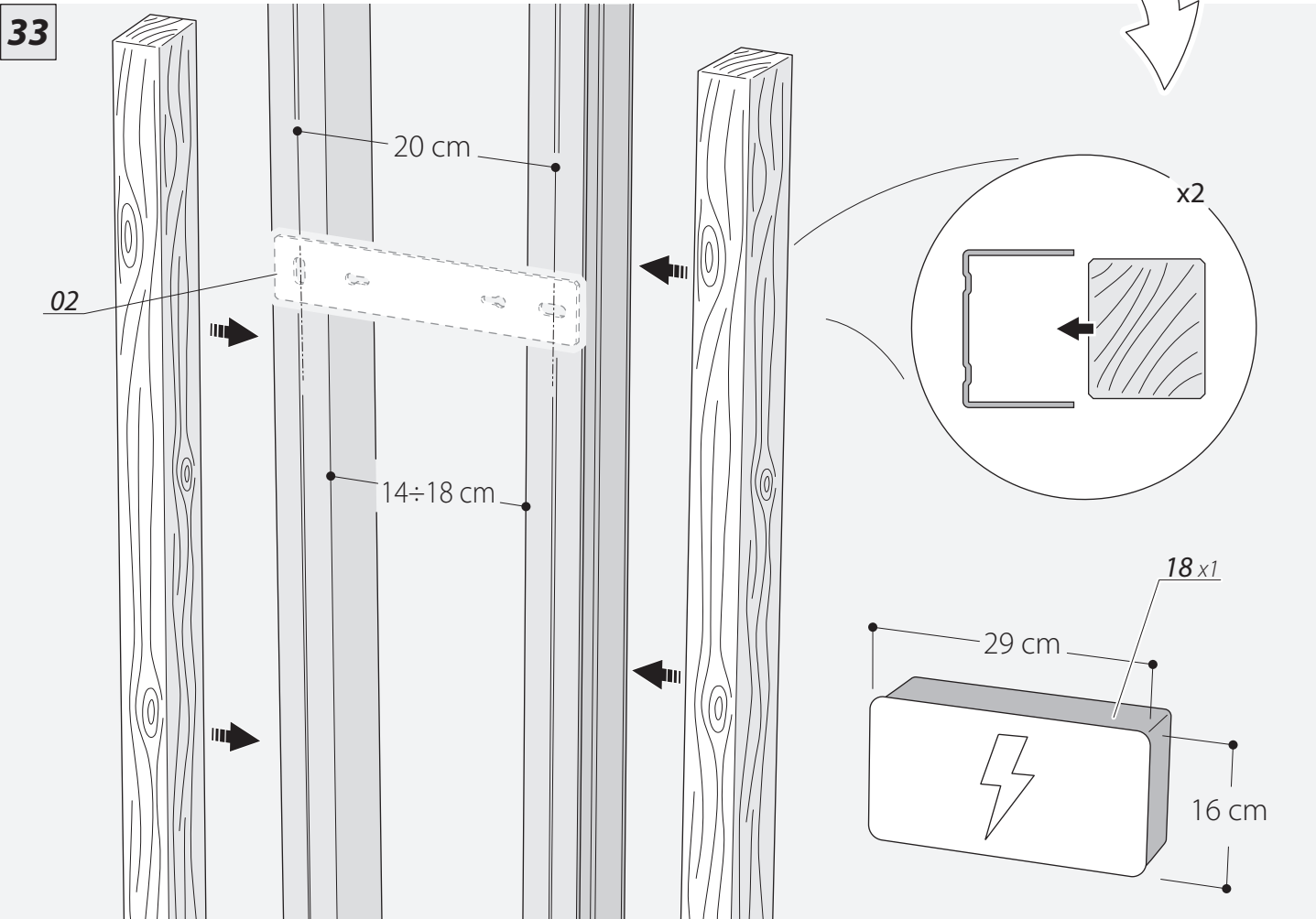




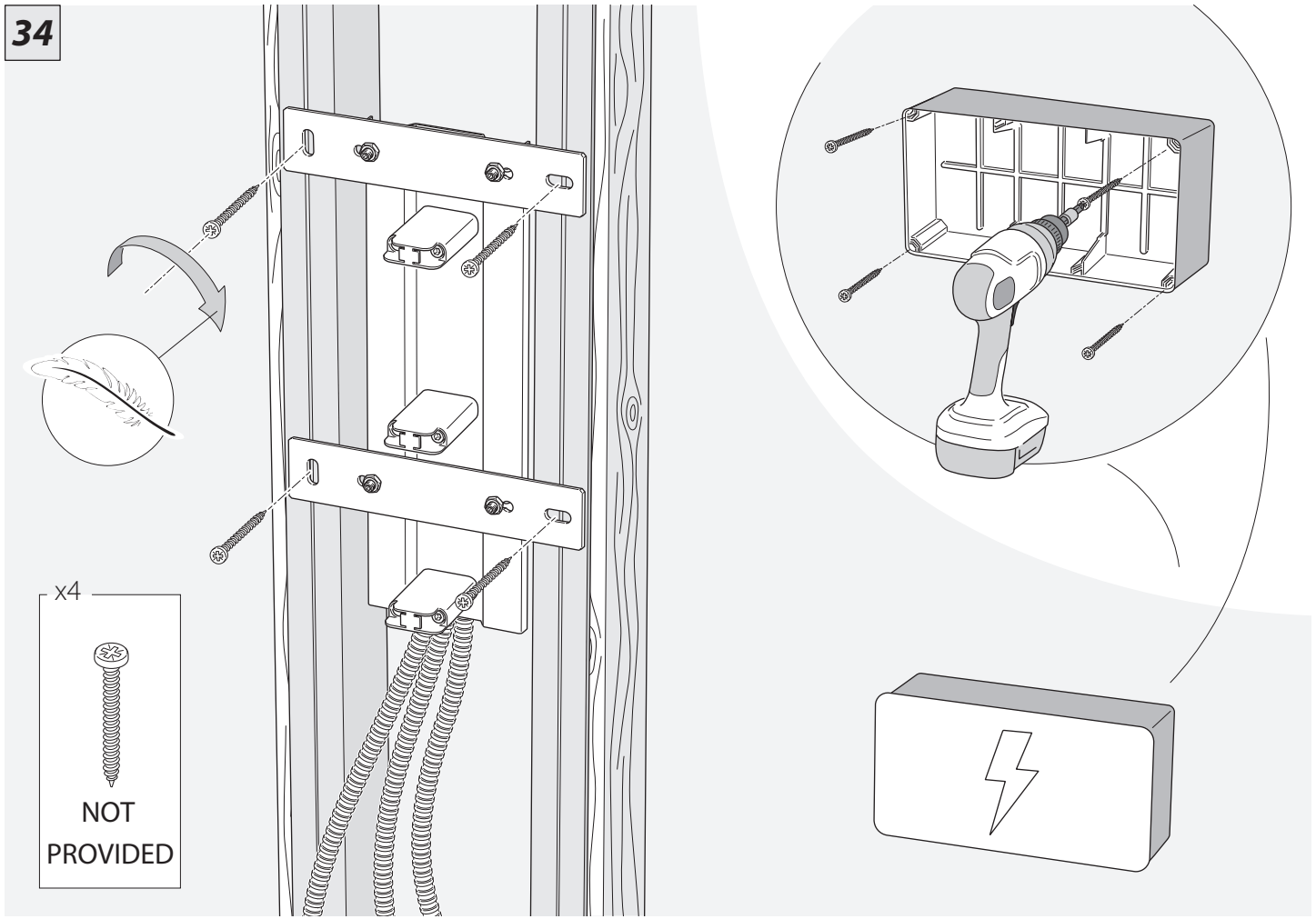
32



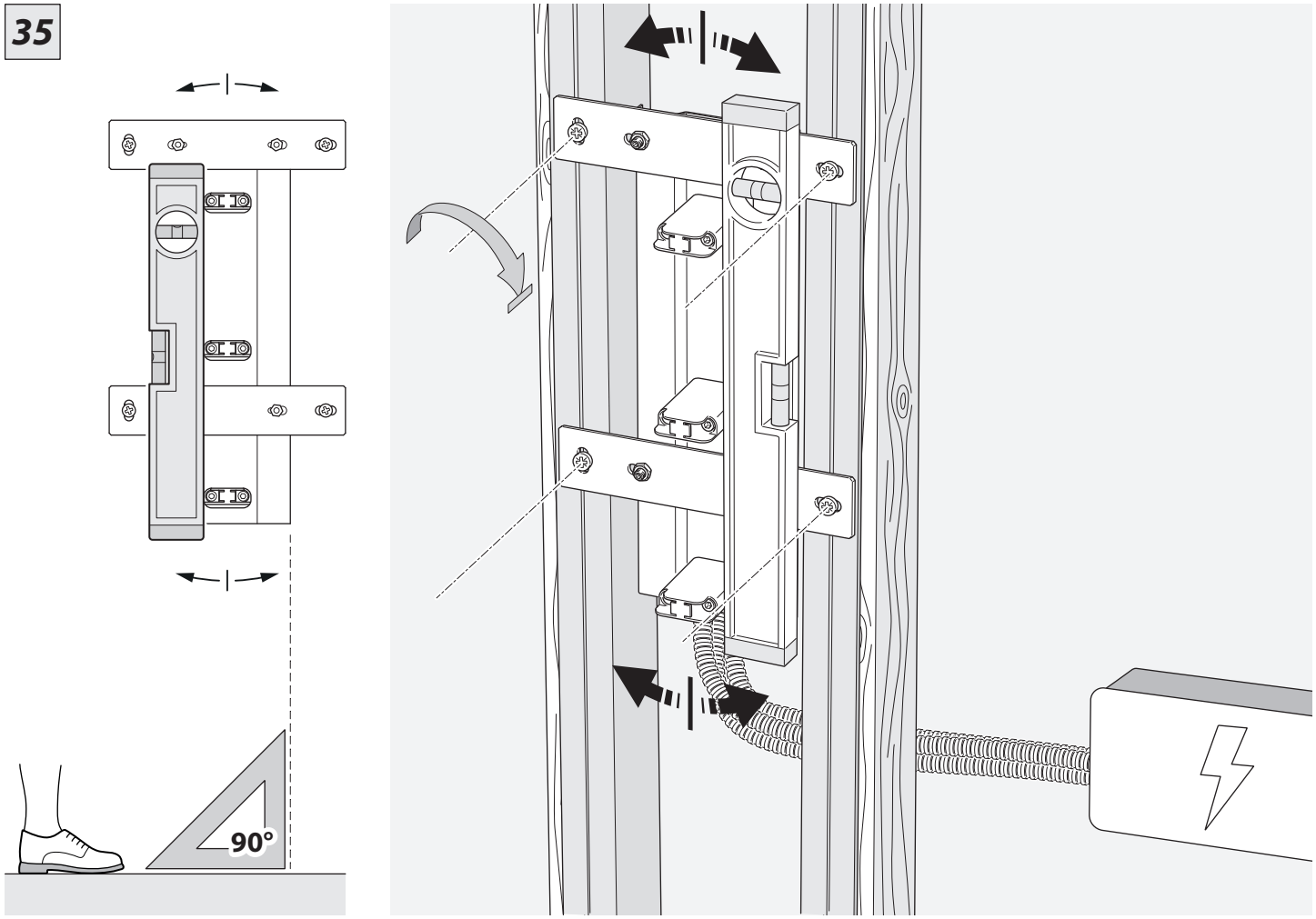
33



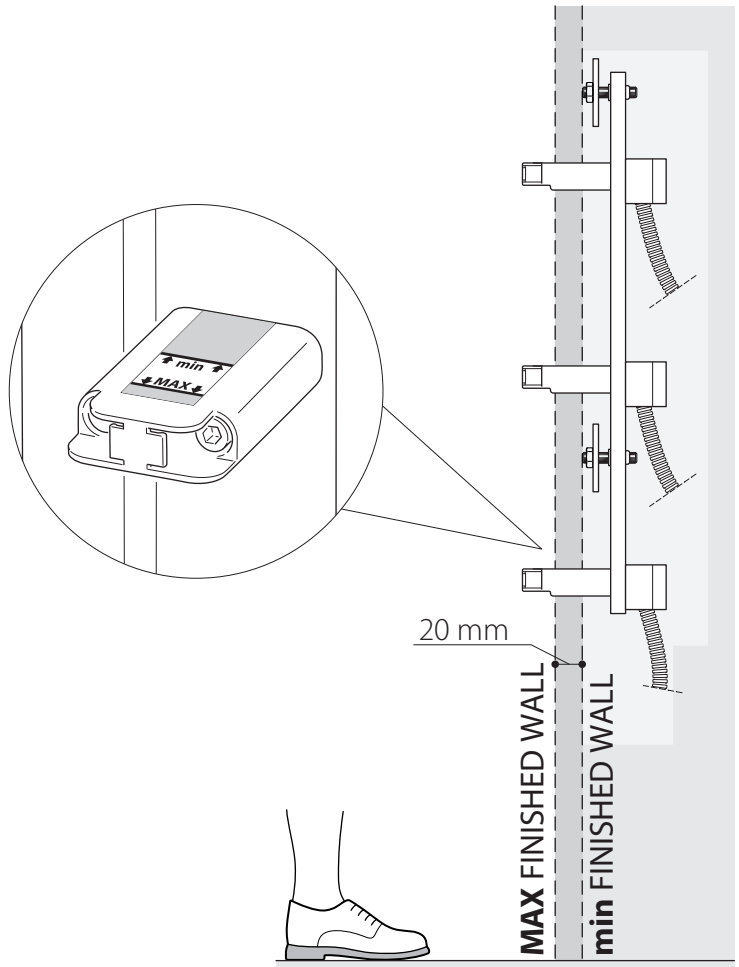
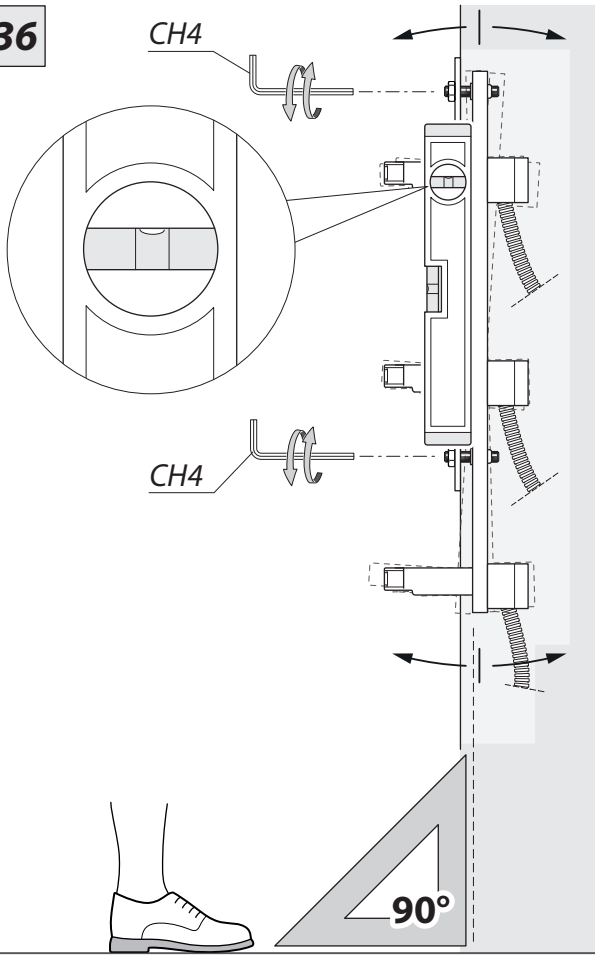
34



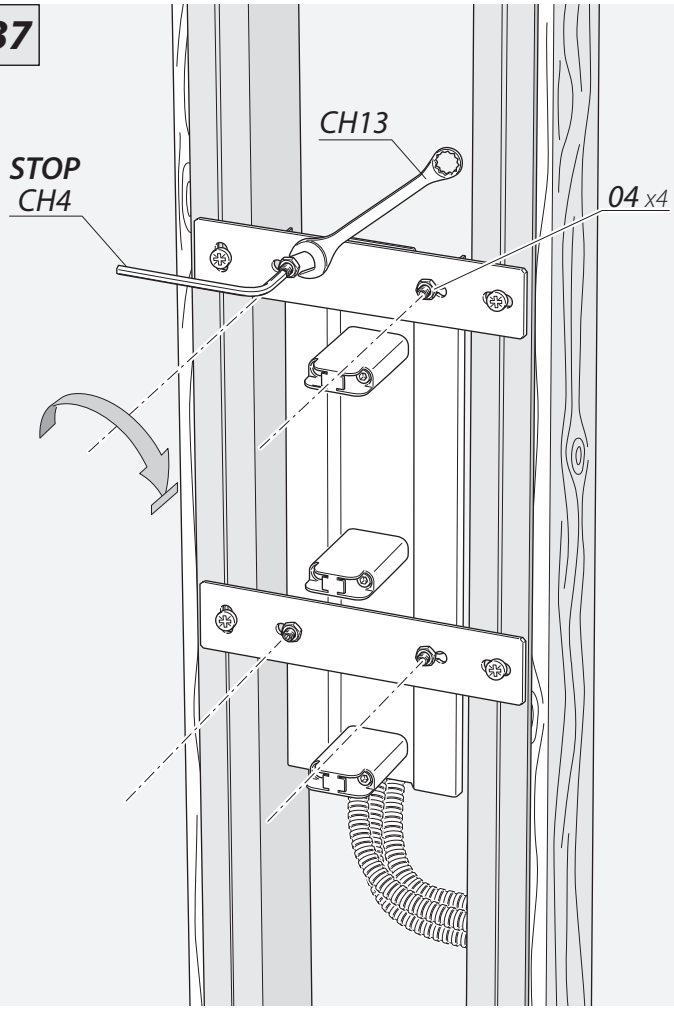
35



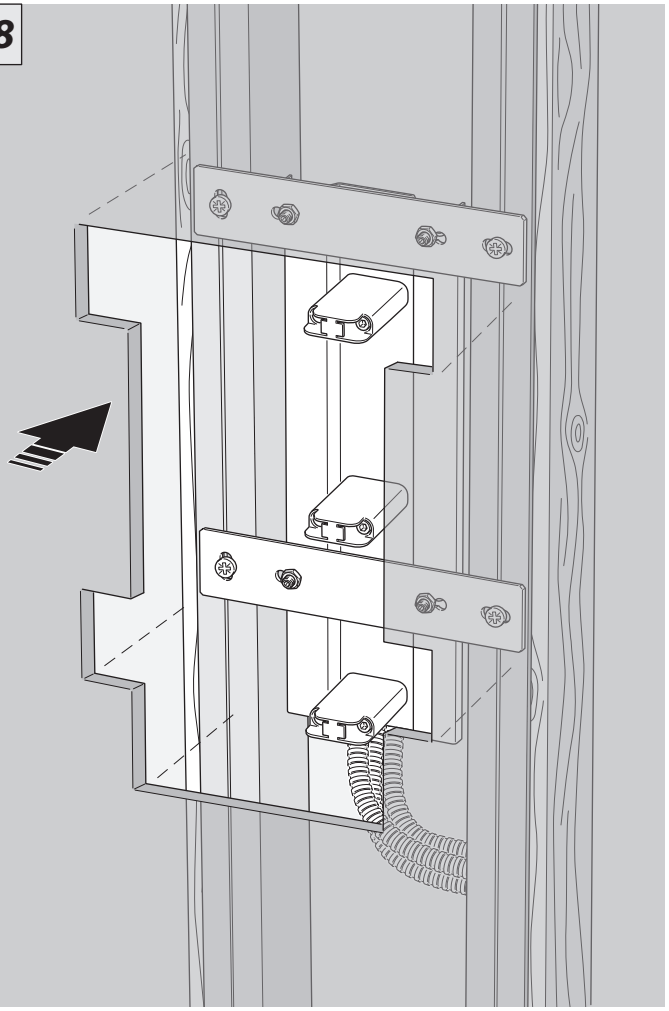
36



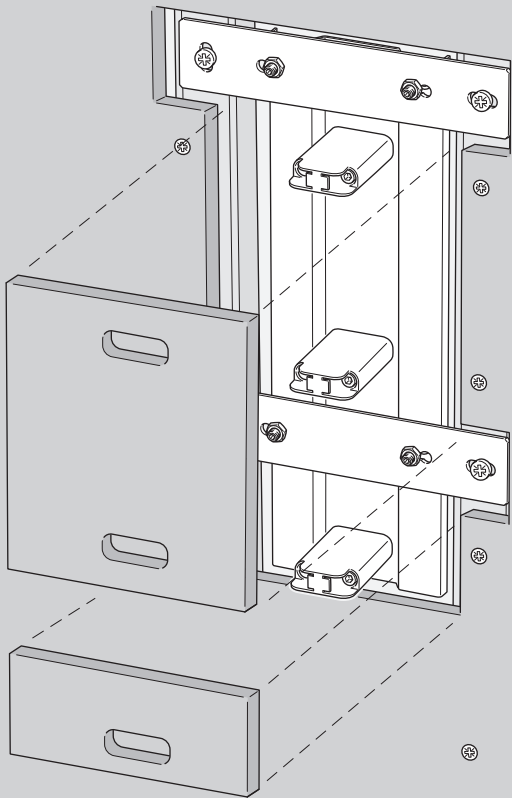
37



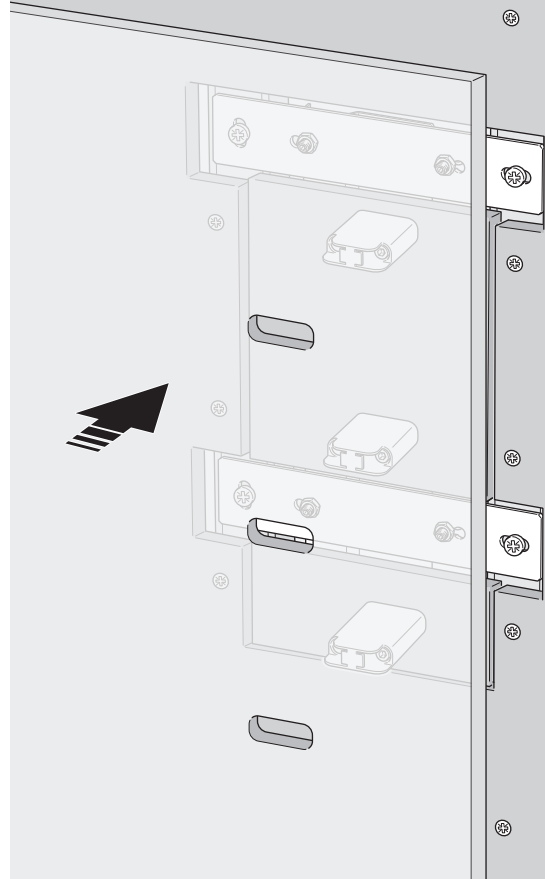
38



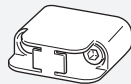
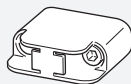
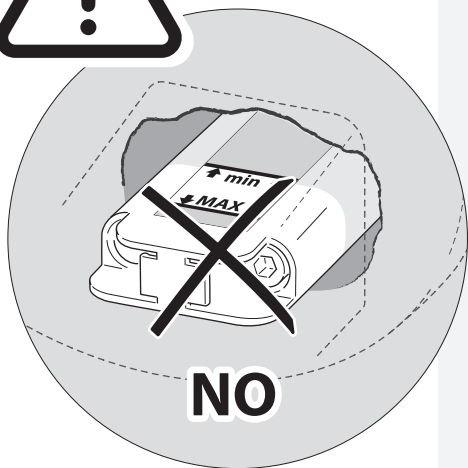
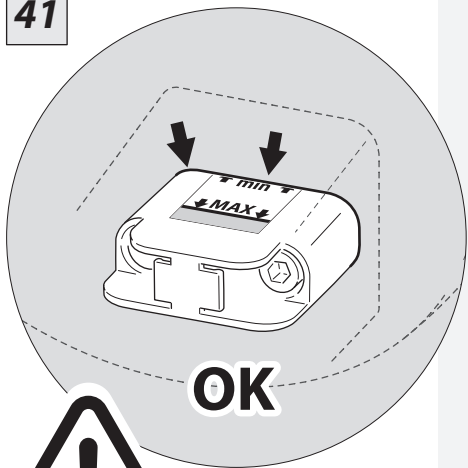
39



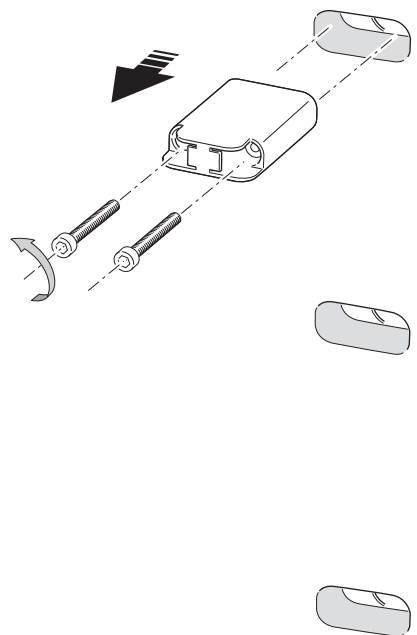
40



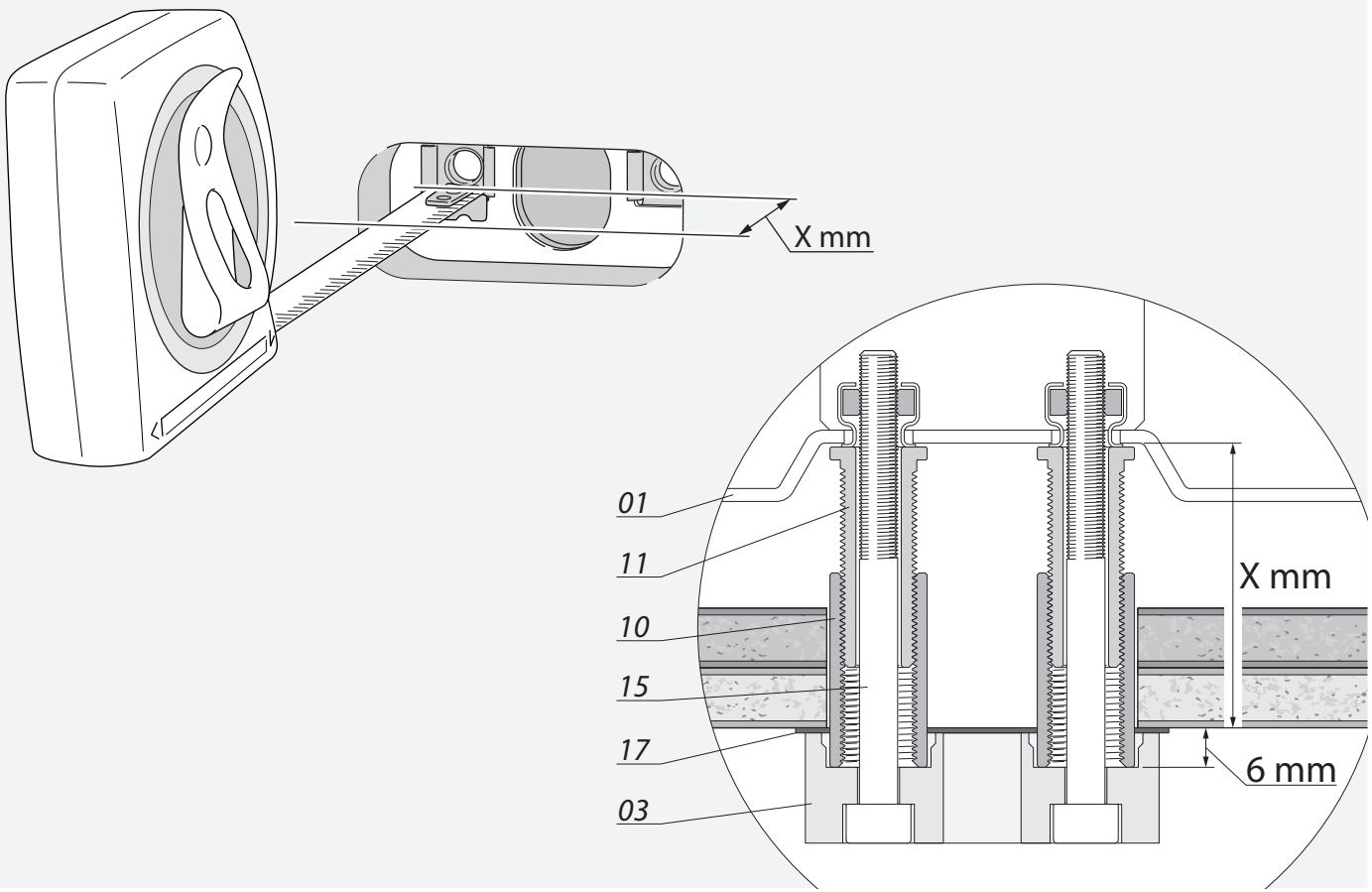
41



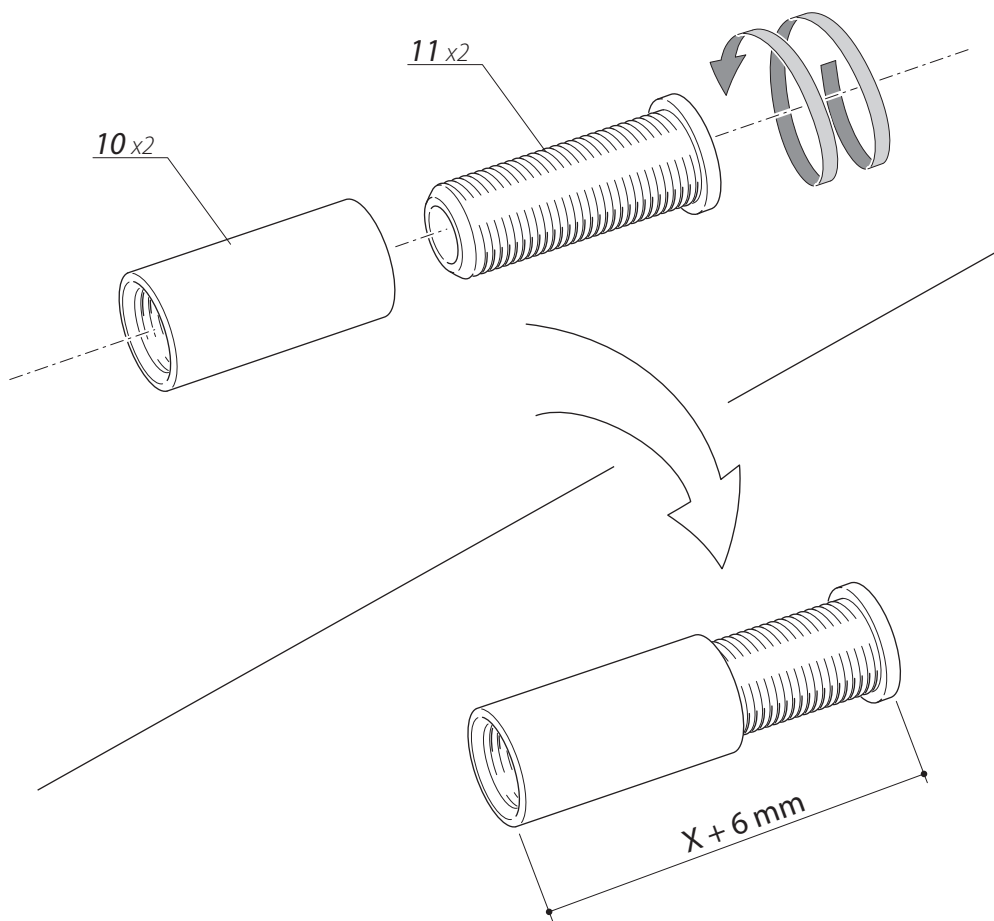
42



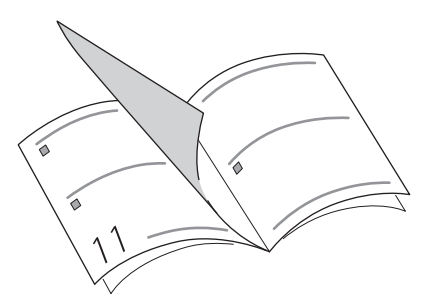
43



44



45



◀ pag 12 19

TIPS FOR CLEANING DOTS

TUBES RADIATORI warranties are invalidated if the products are damaged due to incorrect or improper use or maintenance.

Daily cleaning with a damp cloth is sufficient. The cleaning can be carried out with water, neutral soap or PH neutral detergent.

Any special galvanised finishes, subject to fingerprints, can be cleaned with a damp microfibre cloth.

Never spray detergents straight onto surfaces; always spray the detergent onto a cloth or other suitable material. After using detergents, rinse the surface with plenty of water. Residual detergent not rinsed with water could damage the surface.

Never use aggressive detergents, abrasive powder, steel wool, steel brushes or other abrasives. It is not recommended to use alcohol or bleach as detergents as they could cause the surface to fade. Chlorinated detergents can cause corrosion. Do not use abrasive powder or other abrasive products as they could affect the structure of the surface.