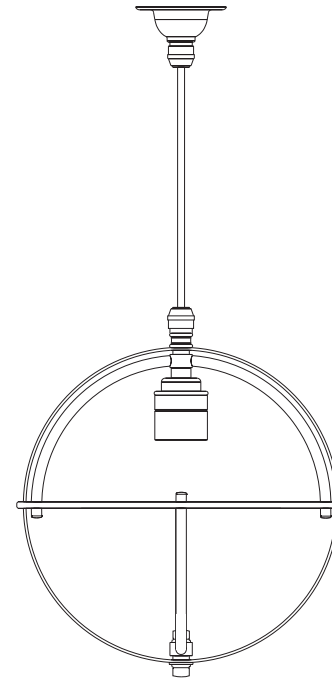


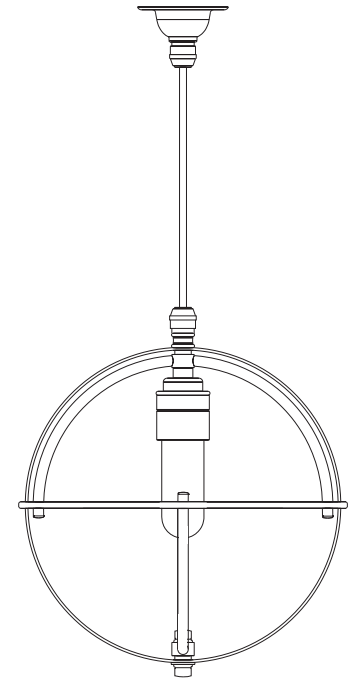


## GRAFTON PENDANT INSTRUCTION MANUAL

SKU: GR-PN

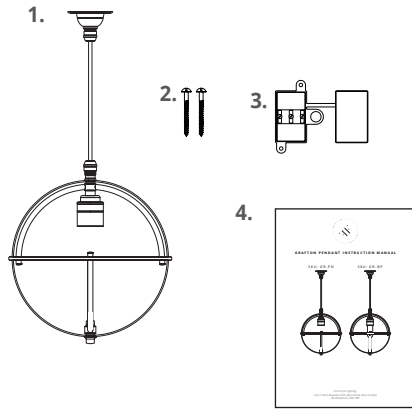


SKU: GR-BP



## CONTENTS

You will receive the below items with your Grafton pendant :



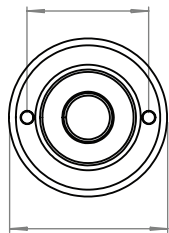
1. Grafton Pendant
2. 2 x Fixing Screws
3. Connector Block / IP Connector Block
4. Instructions

## CEILING PLATE FIXINGS

Your Grafton pendant set will come with one of the below ceiling plates. You can see the dimensions of these below and also the distance between the fixing holes.

### INDUSTRIAL

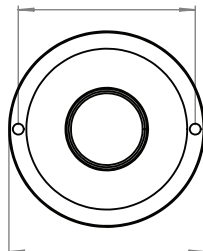
50mm



65mm

### CONTEMPORARY

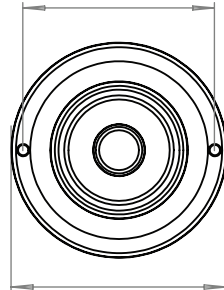
81mm



90mm

### CLASSIC

94mm



105mm

## SAFETY

We recommend a qualified electrician installs all fittings. If in any doubt it is essential an electrician is consulted. The light fitting must be installed in accordance with all current IEE wiring regulations and in line with all current, local building regulations. When deciding where to locate the fitting, please be aware that the glass shades are breakable and if broken, may cause injury.

## INSTALLATION

1. Ensure the electrical supply is disconnected; turn OFF at the consumer unit/fuse board, before you begin.
2. Make sure the structure of the ceiling is sufficient to carry the weight of the light fitting. Consult a qualified builder or structural engineer if in any doubt. Ensure a suitable beam or joist is available and use an appropriate length of screw to firmly secure the light.
3. Position the light in the desired location and mark the position of the fixing holes with a pencil. Drill a pilot hole if necessary.
4. Snip the cable ties, uncoil the flex and adjust the flex to the desired drop ;

Twist the cord grip on the bottom of the ceiling plate to loosen it and slide it down the flex, Undo the cable clamp via the small grub screw on the side and slide this down the flex, Tighten the grub screw to secure the cable clamp at the desired length, Slide the heat shrink up to the cable clamp and use a heat gun to seal it, Slide the ceiling plate and cord grip up to the heat shrink and tighten the cord grip to secure - ensuring a few mm of heat shrink is visible, Use wire cutters to cut down the flex (make sure that you leave at least 100mm), Remove 30mm of the outer cotton braid, being careful not to damage any of the interior wires, and apply electrical tape around the end of the cotton to prevent fraying, Use wire strippers to remove 10mm of the insulation from the cables ready to be wired into a connector block.

5. When the fitting is being connected to the electrical connections it is important that the weight of the fitting is supported so that no strain is applied to the wiring.

## ELECTRICAL CONNECTION

1. This light fitting **must be earthed**.
2. We recommend this light fitting is connected using the terminal block provided, which is compliant to be installed inside a wall or ceiling cavity. The bathroom connector block is compliant for use in the bathroom.
3. Connect the earth conductor of the electrical supply to the earth terminal on the ceiling plate and the wire coloured yellow and green on the light fitting.
4. Connect the switched live conductor of the electrical supply to the live terminal or wire coloured brown on the light.
5. Connect the neutral conductor of your electrical supply to the neutral terminal of wire coloured blue on the light fitting.
6. Check that all the connections are secure and that no loose strands of wire are left outside the connector. Check that no wires are trapped behind the ceiling plate or fitting before securing the ceiling plate.
7. Fit the lamp (bulb). Ensure it does not exceed the wattage on the wattage sticker. Be careful not to over tighten the lamp.
8. Switch on the electricity and test.

## REPLACING A LIGHTBULB

1. Switch off at mains before changing a light bulb.
2. Unscrew the brass end cap from the bottom of the Grafton pendant whilst holding the glass shade.
3. Remove the glass shade and if it is a bathroom pendant, unscrew the glass capsule.
5. Replace the bulb - **Ensure the replacement bulb does not exceed the wattage on the wattage sticker.**
6. Replace the glass shade and glass capsule.
7. Replace the brass end cap and tighten.

*\*Do not leave a light fitting without a bulb in position as this causes danger of electric shock.*

## WARRANTY

To prevent voiding your 24 month warranty, if the light fails it shall be exclusively replaced or repaired by Fritz Fryer Lighting.

## MAINTENANCE

Clean only with a soft, dry cloth. Do not use polishes or abrasives as it may scratch or remove the lacquer. Glass shades can be wiped with an anti static cloth or with glass cleaner.