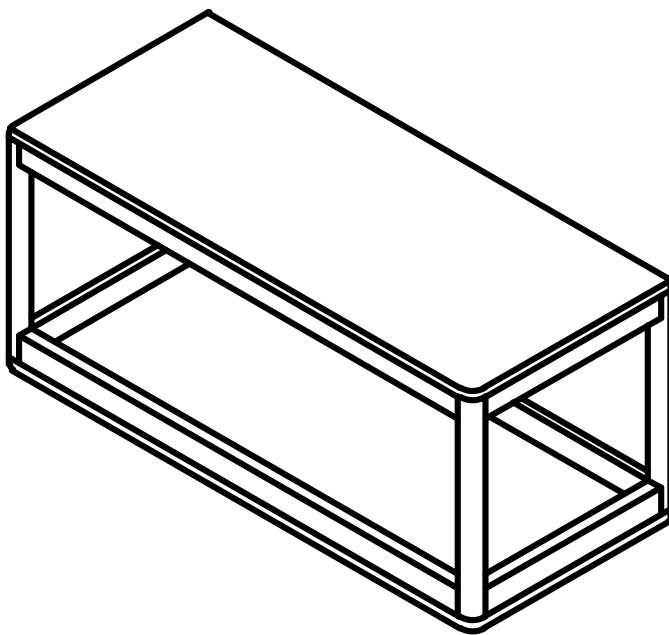


# BAGNODESIGN

EXPERTLY CRAFTED BATHROOMS

---

## Installation Guide



**BDF-HOK-O120-TK**

HOKKAIDO WALL MOUNTED OPEN BASIN UNIT 1200X500MM

A member of **SANIPEXGROUP**  
[www.sanipexgroup.com](http://www.sanipexgroup.com)

## IMPORTANT PLEASE READ

All products manufactured and supplied by BAGNODESIGN are fit for purpose as long as they are Installed, used correctly, cleaned and receive regular maintenance in accordance with these instructions...

Remove all packaging and check the product for damage or missing parts before commencing with the installation.

Any alterations made to this product and its components may infringe product certification, infringe water regulations and invalidate the guarantee. The Installation must comply with all local/national water supply authority regulations/bylaws and building and plumbing regulations, therefore we strongly recommend that your product be installed by a reputable qualified trade's person.

## PRODUCT LIFECYCLE

*"The product LiveCyclele is the collective stages that a product goes through from its conception and design through to its ultimate disposal."*

## DISPOSAL GUIDANCE

The best way to ensure your Product has a long life is to follow the Care and Maintenance guides set by the Manufacture after purchase. This document can be found at [www.sanipexgroup.com](http://www.sanipexgroup.com).

The life cycle of the product is not in correlation to the product Guarantee; the standards the products are manufactured or certified to (e.g. CE & WRAS) can exceed past the Guarantee duration. After the life cycle of the product is deemed complete by the end-user please follow the below to dispose of the items correctly...

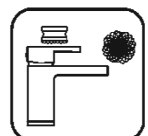
## CLEANING CARE GUIDE

Only use a mild soap and water for cleaning.  
Rinse with water to remove the mild soap solution.  
We recommend the product is dried using a soft cloth after every use.

**Never** use any abrasive or strong cleaning products containing, bleaches, acids (hydrochloric, formic, phosphorus, chlorine or acetic), strong detergents, limescale remover, alcohol or dyes etc.  
**Never** use abrasive cleaning pads, wire wool or microfibre cloths.

**Never** use cleaning equipment that may have been pre-used and contaminated with the above substances.

**Never** apply the cleaning product directly onto the finished surface.

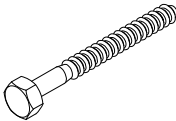
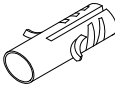
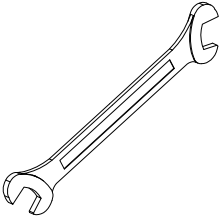


# HANGING BASIN CABINET

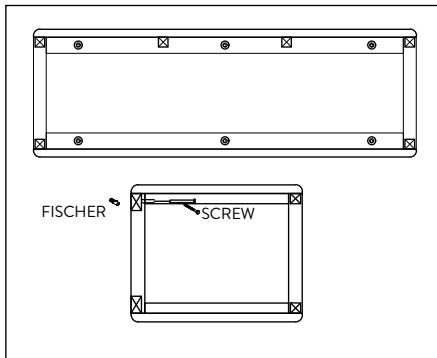
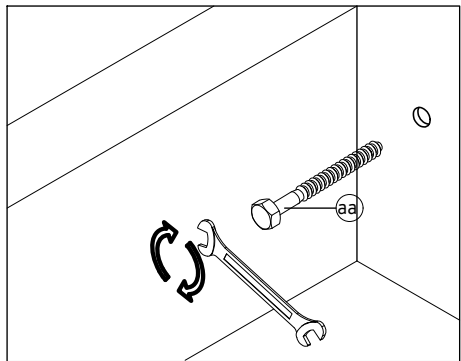
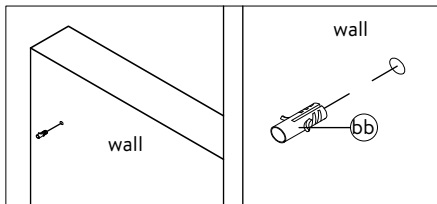
## D'YUg fYUX'U" ]bgfi W]cbgVYZcFY'VY[ ]bb]b[ 'UggYa V'm

- D'YUg fYUX'U" ]bgfi W]cbgVYZcFY'VY[ ]bb]b[ 'UggYa V'm
- Place all parts on a carpet or foam in shipping box.
- Save all packing materials until assembly is complete to avoid accidentally discarding smaller parts or hardware
- This cart requires one people to do assembly.

## Hardware Enclosed.

aa - Fischer Screw - 6 pcs	bb - Wall Plug - 6 pcs	Wrench /Tool - not included
		

- Lay Cabinet onto clean smooth surface as carpet or cardboard. (the diagram only illustration picture of cabinet)
- Drill the wall and insert the Wall Plugs (bb).
- Hang the Cabinet at The Wall. Secured by Fischer Screw (aa). from Back Frame of inside Cabinet. Tighten by using Wrench or Tool (not included in hardware packaging).



## Care Instructions :

- .Hardware may loosen over time. Periodically check to make sure all components are tight. Re-tighten if necessary.

