

Installation and operating instructions Notice

HEWI support

0044 1634 258200 (UK)

0049 5691 82-0 (international)

| | |
|-----------------------|----|
| User information Care | 4 |
| and cleaning Product | 8 |
| information | 12 |
| Mounting | 12 |
| Demounting | 15 |

Exclusion of liability

HEWI accepts no liability whatsoever for damage to persons or property that occurs or has occurred as a result of improper mounting or maintenance, particularly if the safety instructions and other points to note listed are not or have not been observed in full. HEWI accepts no liability whatsoever for damage occurring from incorrect cleaning.

Safety instructions

These instructions are intended for qualified skilled personnel and the user of the installed product. Following installation, the instructions must be made available to the user.

- Follow with the installation instructions and instructions for use.
- In case of questions, problems, uncertainties or if damage occurs, contact the HEWI support service.
- Ensure that the product is installed, maintained and repaired by qualified, skilled personnel only.
- Check the product for damage on acceptance. Report defects immediately.
- Install/use the product only:
 - in accordance with its intended purpose
 - in its original condition without modifications
 - in perfect condition
- Use original spare parts only.
- Use only HEWI fixing materials.
- Only use in closed rooms.

Cleaning



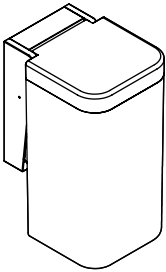
CAUTION!

- Clean the product as and when required.
- Follow the manufacturer's instructions regarding concentration, contact time, etc.
- Always apply the cleaning product on a cloth; do not apply it directly on the surface.
- Note the material-specific information on suitable/unsuitable cleaning products.
- Try out all products on an inconspicuous area before use.
- Do not use any products of unknown composition. **Unsuitable cleaning products**
- Abrasive products/objects (e.g. scouring agents, scourer sponge, brushes, steel wool, microfibres, dirt erasers)
- Alkaline, acidic and chlorine-based cleaning products, solvents
- Steam cleaners
- Do not treat metal components with objects containing iron (e.g. scourer sponge, steel wool).

Disposal

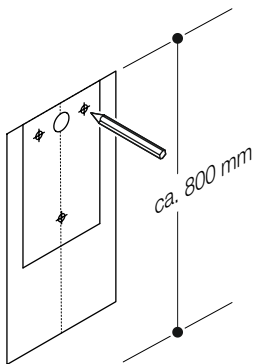
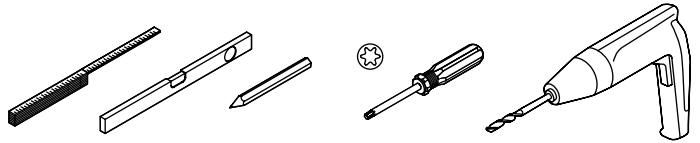
Disposal of the product and packaging is subject to the relevant national regulations.

Product information

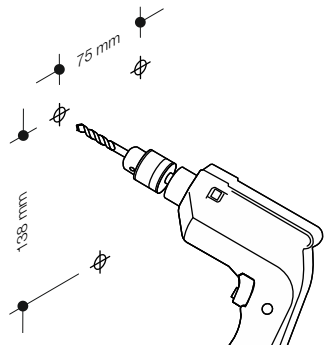


477.05.101...

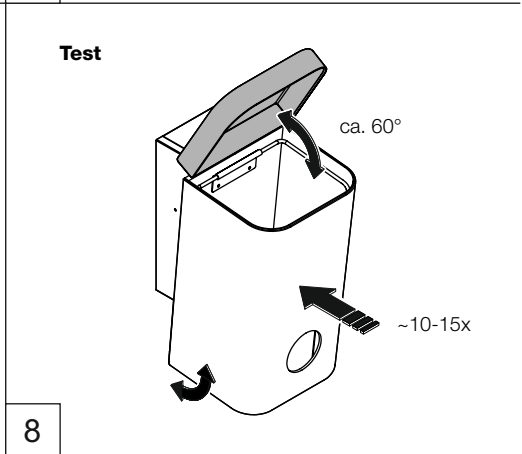
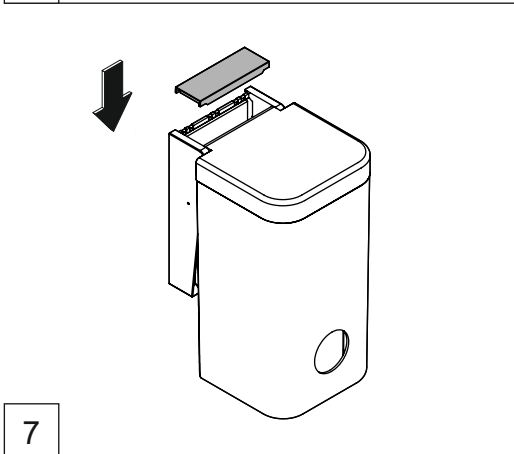
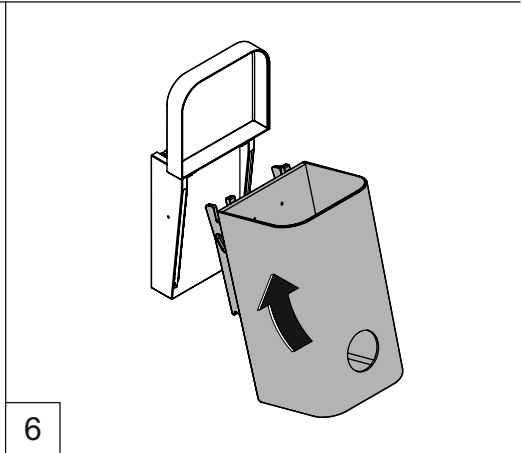
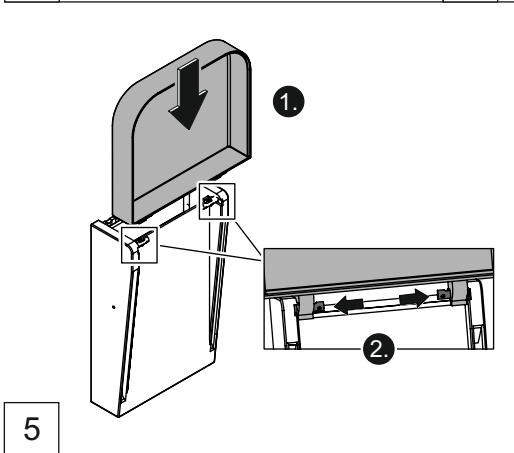
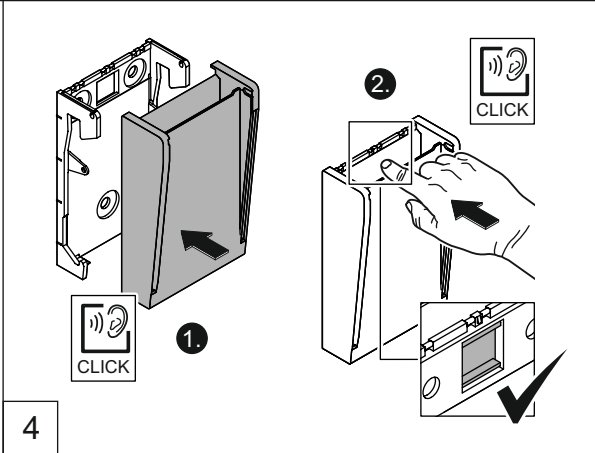
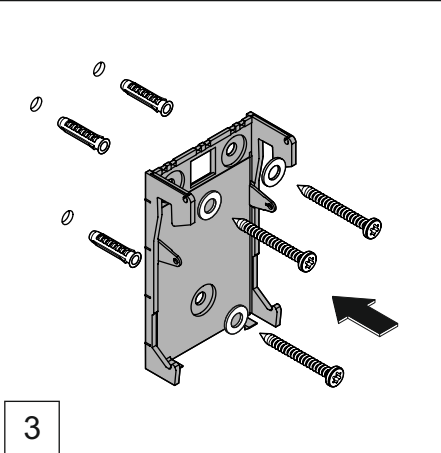
Tools required Outillage



1

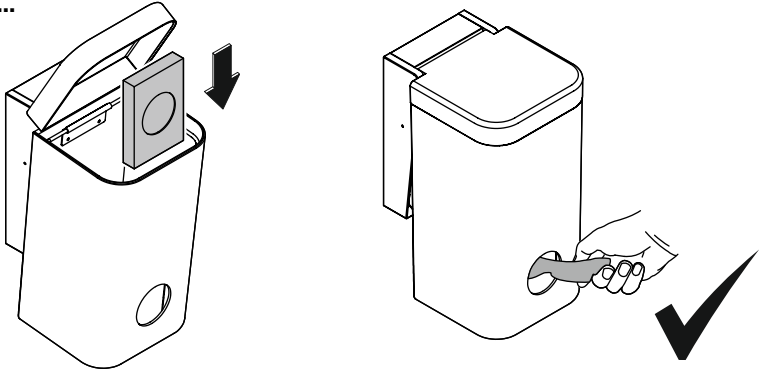


2

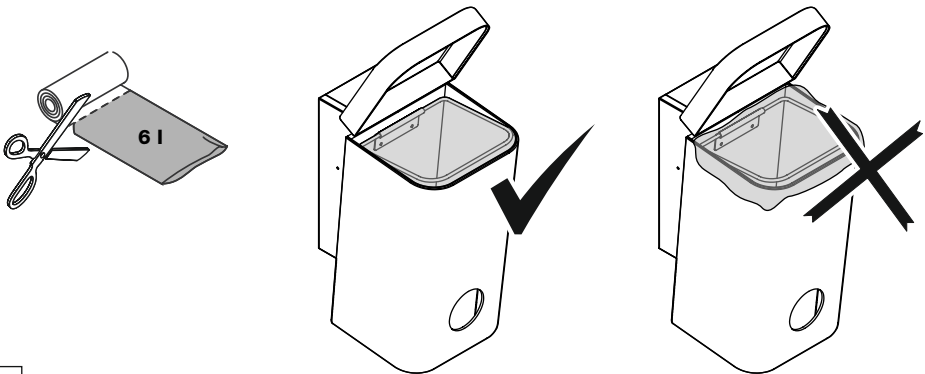


Mounting

only for 477.05.102...

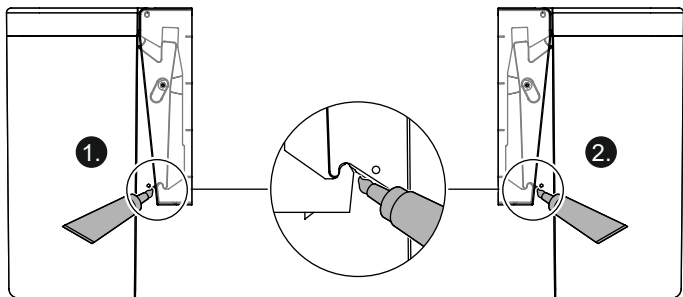


9



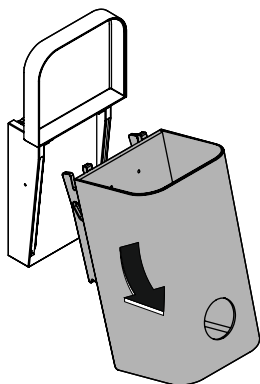
10

If necessary

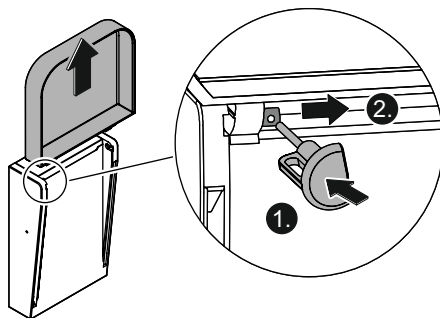


Vaseline or similar lubricant

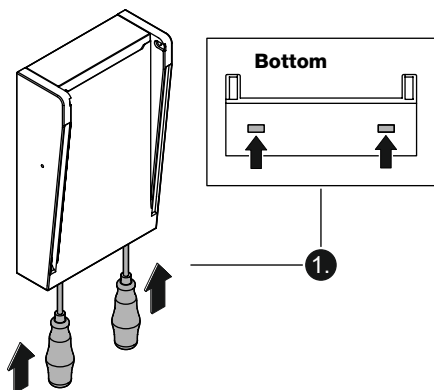




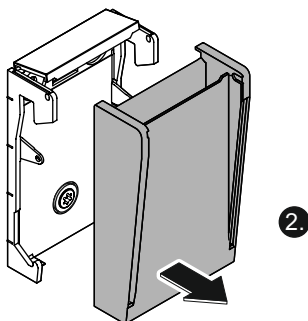
1



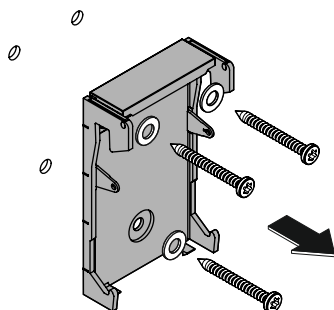
2



3



2



4

HEWI

www.hewi.com



GERMANY

HEWI Heinrich Wilke GmbH

Prof.-Bier-Straße 1-5

D-34442 Bad Arolsen

Phone: +49 5691 82-0

Fax: +49 5691 82-319

international@hewi.de



M477.41M

2023/04