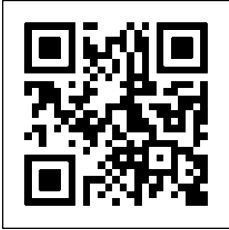


Installation and operating instructions Notice



Reinigung und Pflege | Care and cleaning | Nettoyage et entretien  
Reiniging en onderhoud | Manutenzione e pulizia | Cuidado y limpieza  
Czyszczenie i pielęgnacja | Rengøring og pleje

**<https://www.hewi.com/de/service/downloads>**

---

 HEWI support

0044 1634 258200 (UK)  
0049 5691 82-0 (international)

---

User information	4
Product information	8
Mounting/Use	9
Refill	26
Battery	27

### Exclusion of liability

HEWI accepts no liability whatsoever for damage to persons or property that occurs or has occurred as a result of improper mounting or maintenance, particularly if the safety instructions and other points to note listed are not or have not been observed in full. HEWI accepts no liability whatsoever for damage occurring from incorrect cleaning.

### Safety instructions

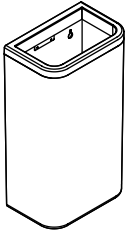
These instructions are intended for qualified skilled personnel and the user of the installed product. Following installation, the instructions must be made available to the user.

- Follow with the installation instructions and instructions for use.
- In case of questions, problems, uncertainties or if damage occurs, contact the HEWI support service.
- Ensure that the product is installed, maintained and repaired by qualified, skilled personnel only.
- Check the product for damage on acceptance. Report defects immediately.
- Install/use the product only:
  - in accordance with its intended purpose
  - in its original condition without modifications
  - in perfect condition
- Use original spare parts only.
- Use only HEWI fixing materials.
- Ensure that the wall structure in the installation area is even and adequately load-bearing.
- Only use in closed rooms.

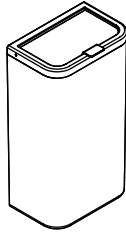
### Disposal

Disposal of the product and packaging is subject to the relevant national regulations.

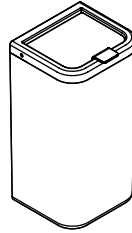
**Product information**



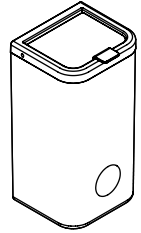
477.05.201...  
477.05B201...



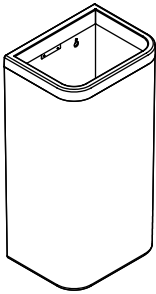
477.05.202...  
477.05B202...



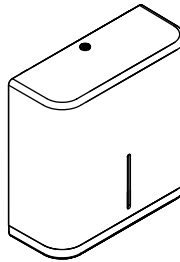
477.05.204...  
477.05B204...



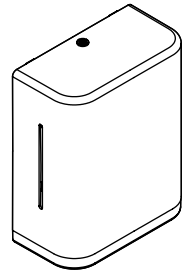
477.05.205...  
477.05B205...



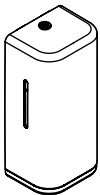
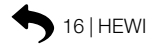
477.05.203...  
477.05B203...



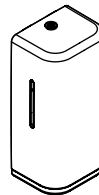
477.21.600...  
477.21B600...



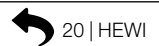
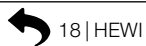
477.06.601...  
477.06B601...



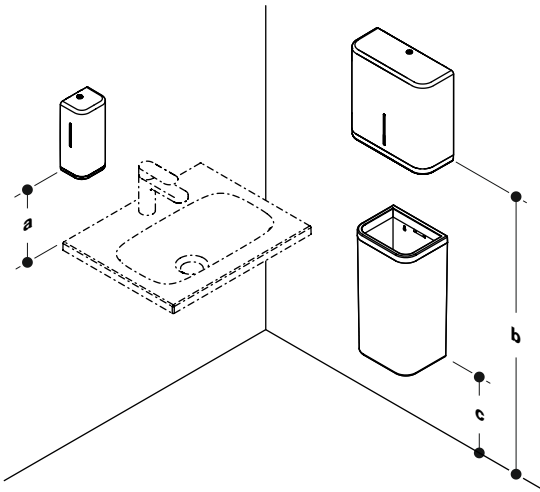
477.06.101...  
477.06B101...



477.06.102...  
477.06B102...  
477.06.103...  
477.06B103...  
477.06.104...  
477.06B104...

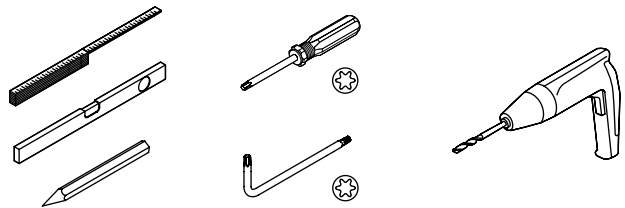


**\*Recommended heights**  
adjust heights as required in  
schools, daycare facilities etc.

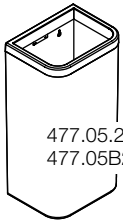


**a** ≥ 200 mm  
**b\*** = 1200-1400 mm  
**c\*** ≥ 200 mm

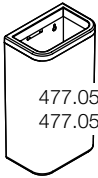
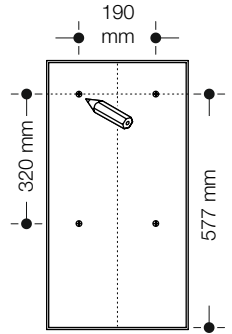
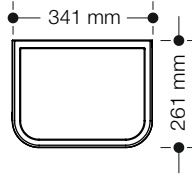
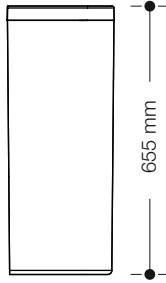
Tools required Outillage



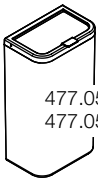
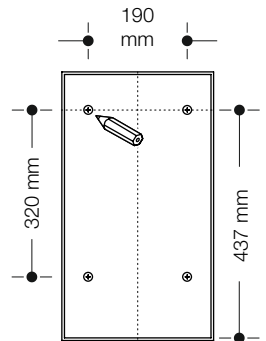
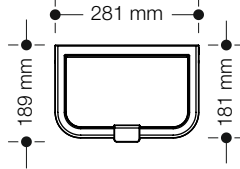
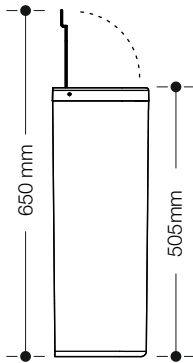
## Mounting



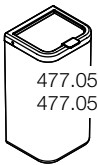
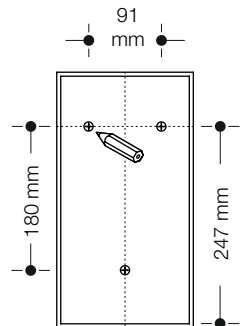
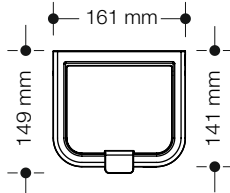
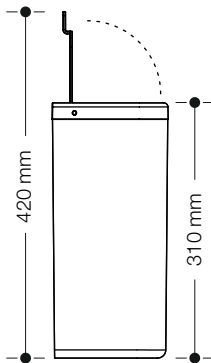
477.05.203  
477.05B203



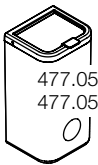
477.05.201  
477.05B201



477.05.202  
477.05B202

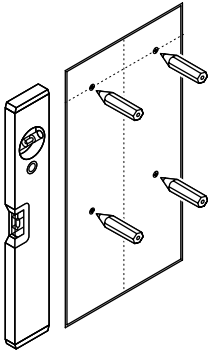


477.05.204  
477.05B204

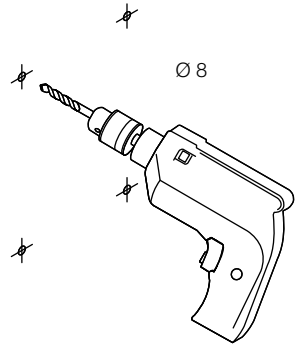


477.05.205  
477.05B205

# Mounting

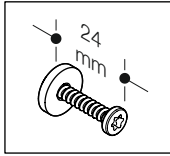


1

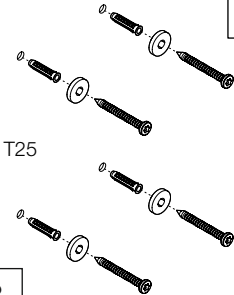


2

477.05...201...  
477.05...202...  
477.05...203...

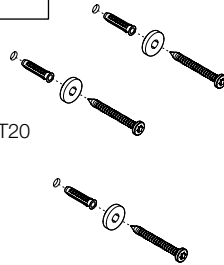


477.05...204...  
477.05...205...

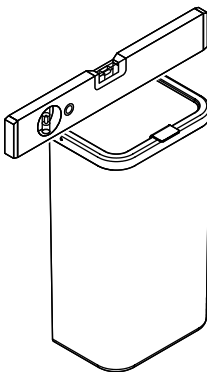
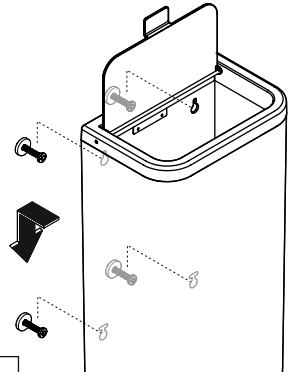


3

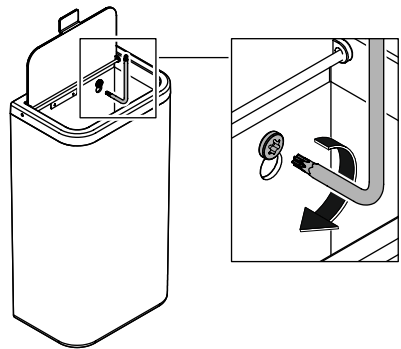
T20



4

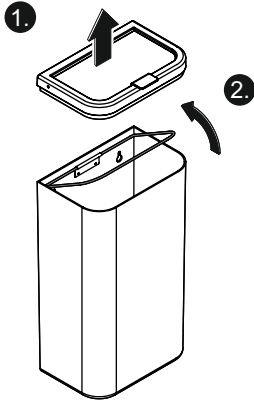


5

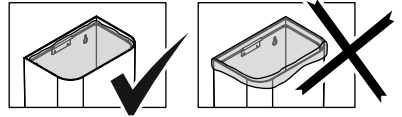
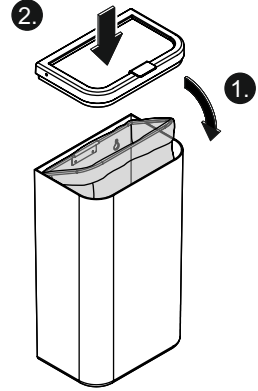
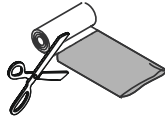


6

Instructions for use



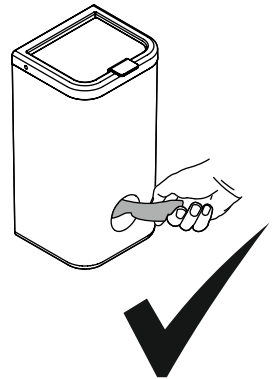
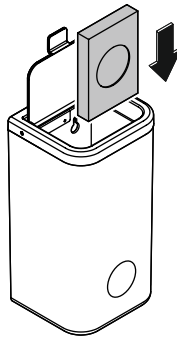
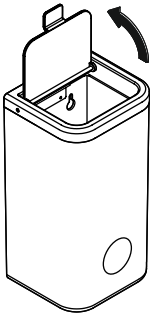
477.05.201...  
 477.05B201... 25-30 l  
 477.05.202...  
 477.05B202...  
 477.05.203... 60 l  
 477.05B203...  
 477.05.204...  
 477.05B204... 6 l  
 477.05.205...  
 477.05B205...



1

2

**only for  
 477.05...205...**

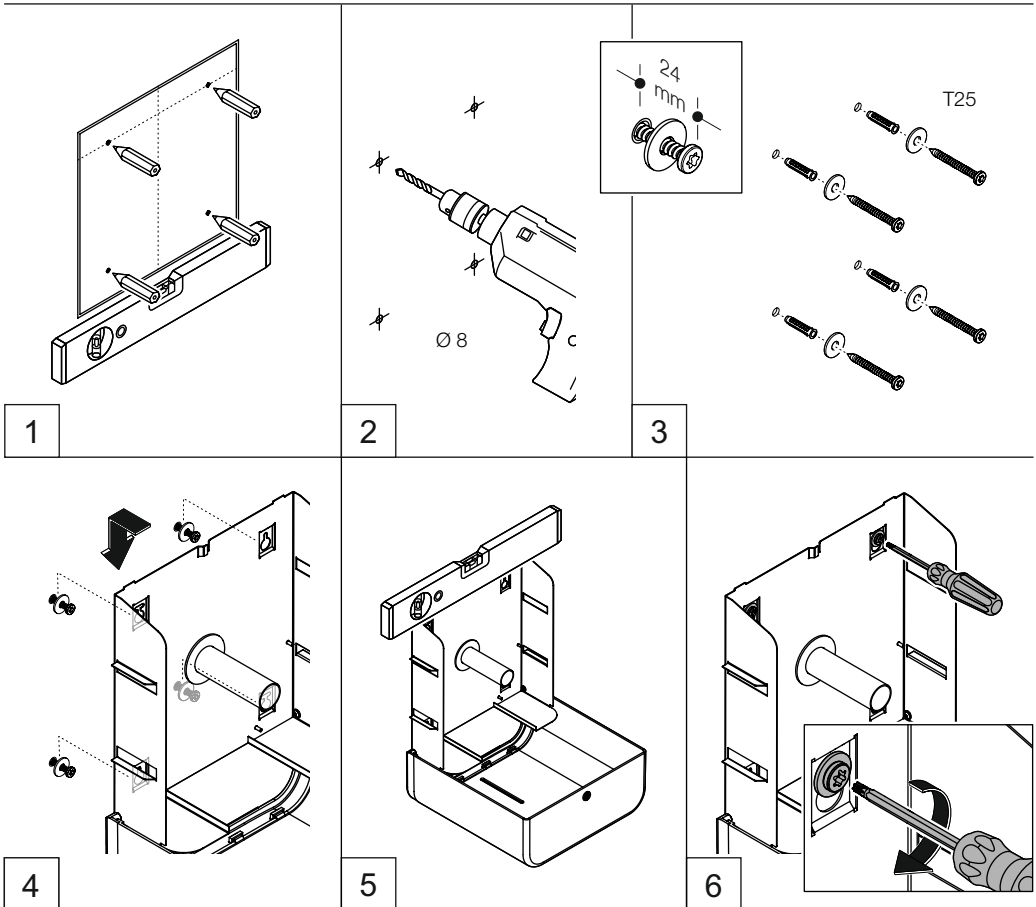
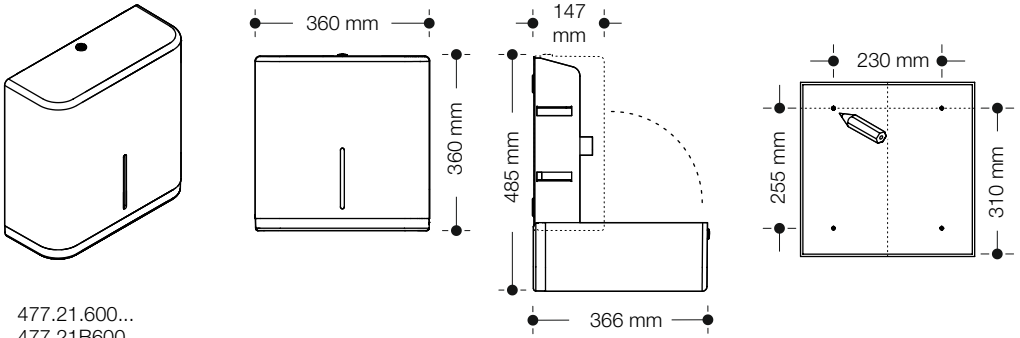


1

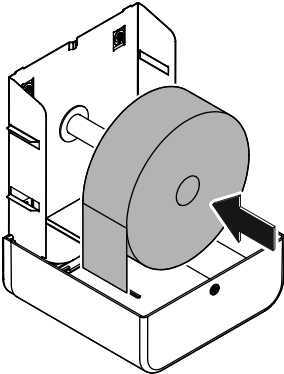
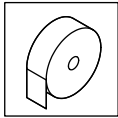
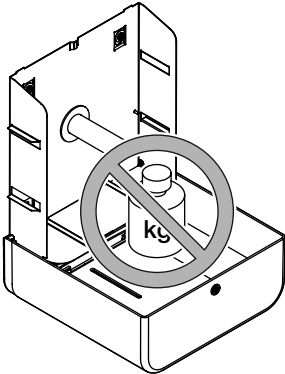
2

3

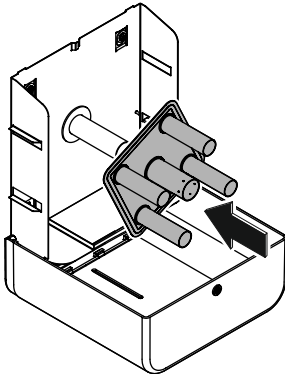
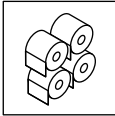
# Mounting



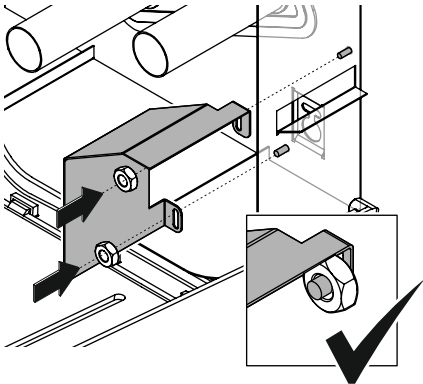
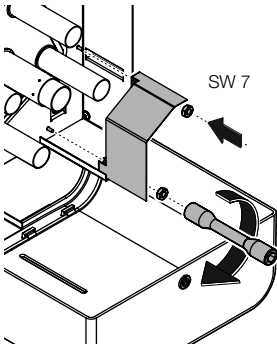
Mounting



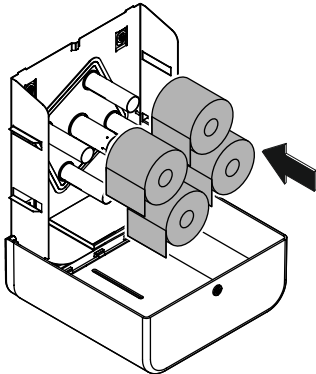
7



7.1

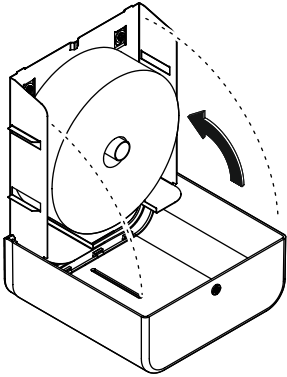


7.2

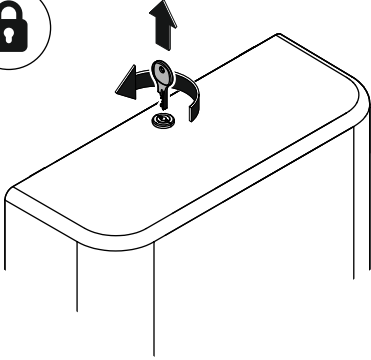


7.3

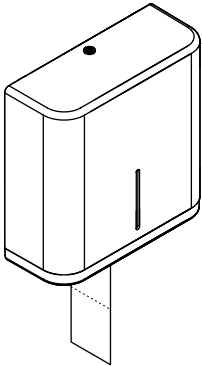
**Mounting**



8

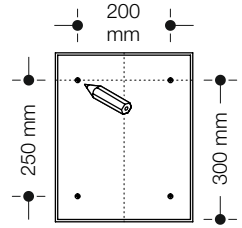
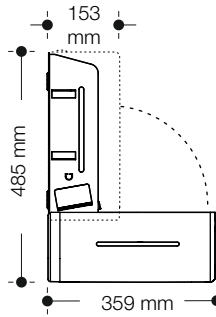
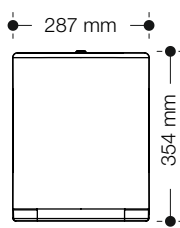
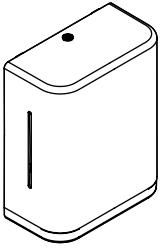


9

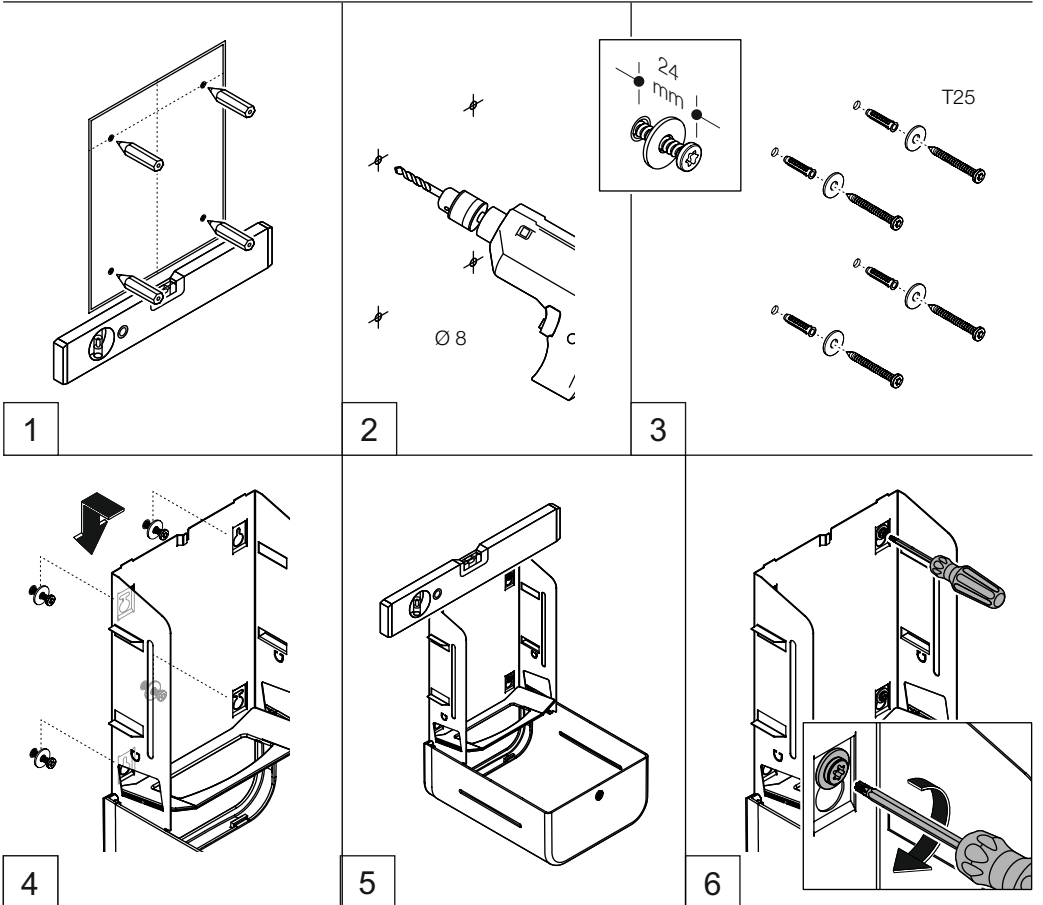


10

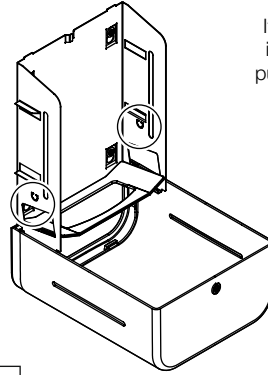
# Mounting



477.06.601  
477.06B601

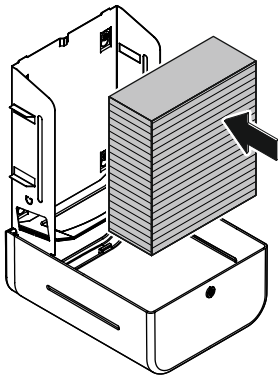


## Mounting

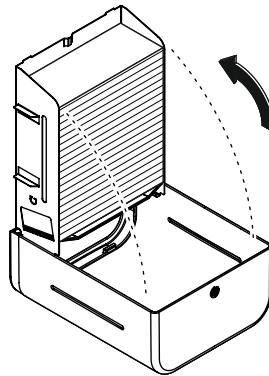


If necessary (depending on type of paper), put up flaps to prevent ripping the paper.

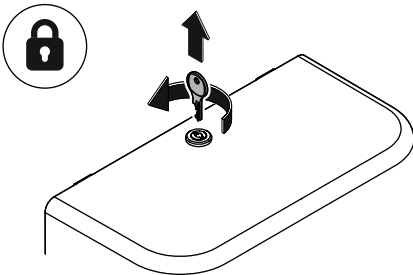
7



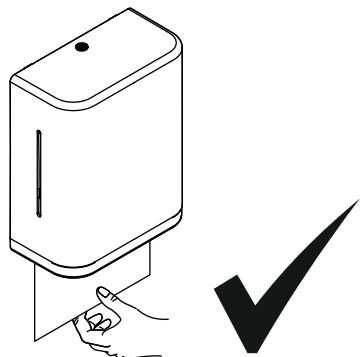
8



9

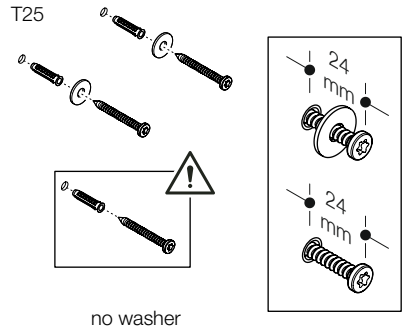
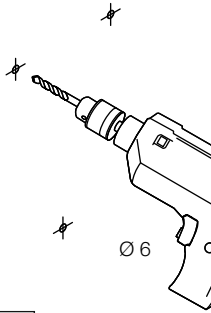
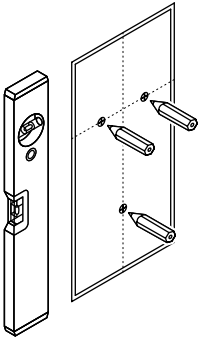
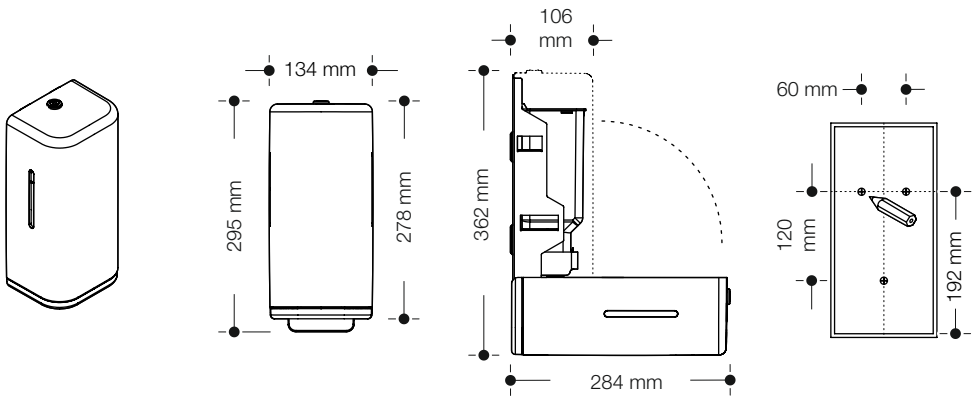


10



11

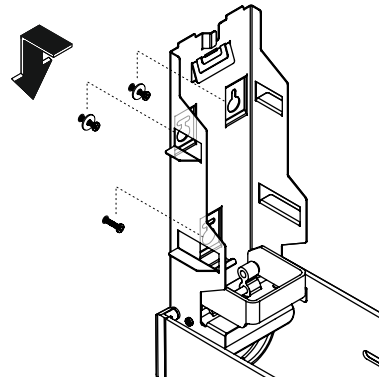
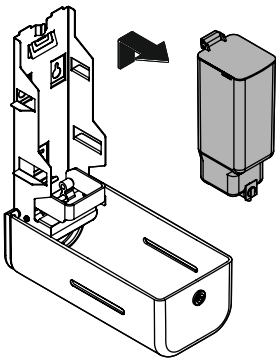
# Mounting



1

2

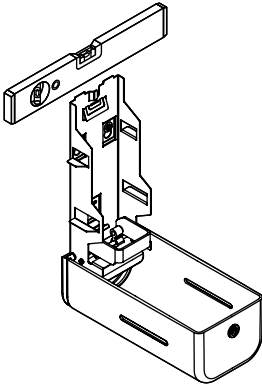
3



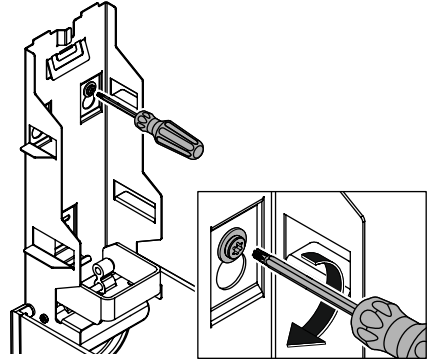
4

5

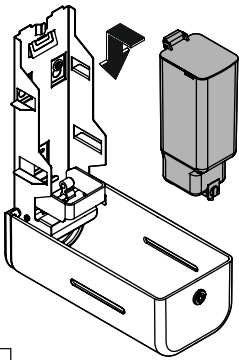
## Mounting



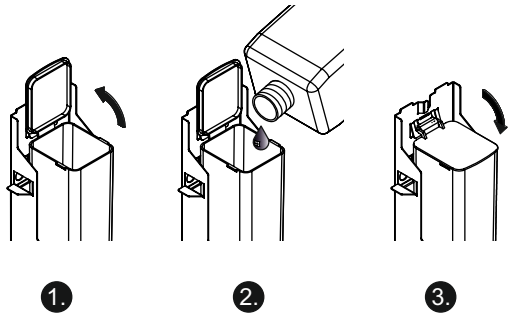
6



7



8

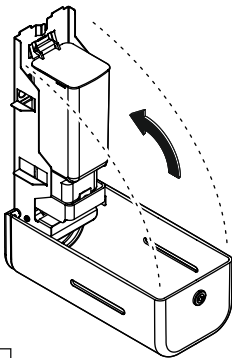


1

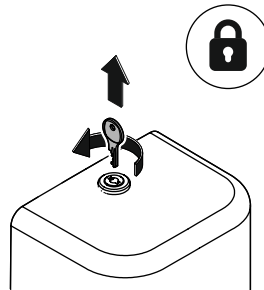
2

3

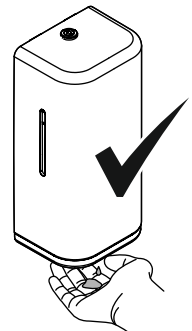
9



10

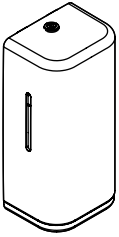


11

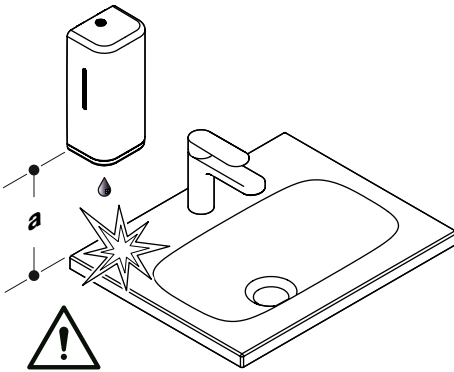
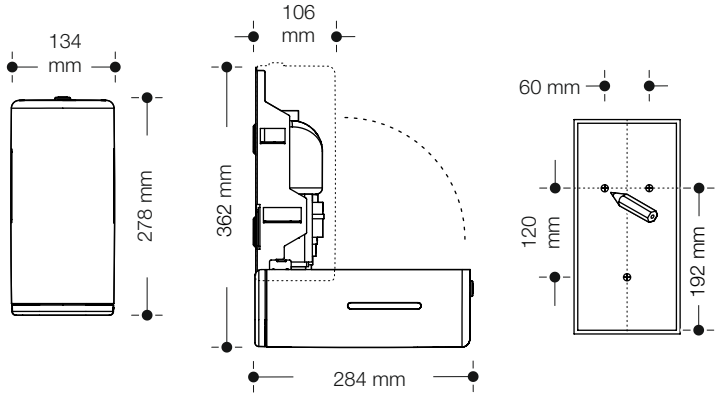


12

## Mounting



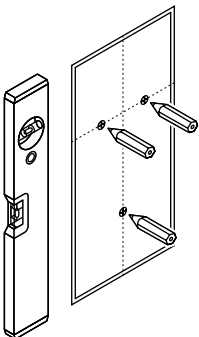
477.06.102...  
 477.06B102...  
 477.06.103...  
 477.06B103...  
 477.06.104...  
 477.06B104...



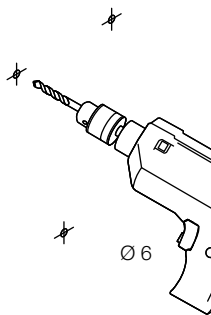
$a \geq 200 \text{ mm}$  ✓

$a < 200 \text{ mm}$

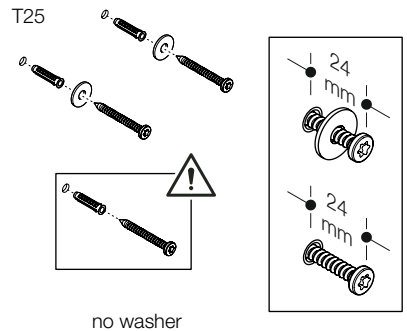
Unintentional activation by  
 light reflection (e. g. lamp)



1

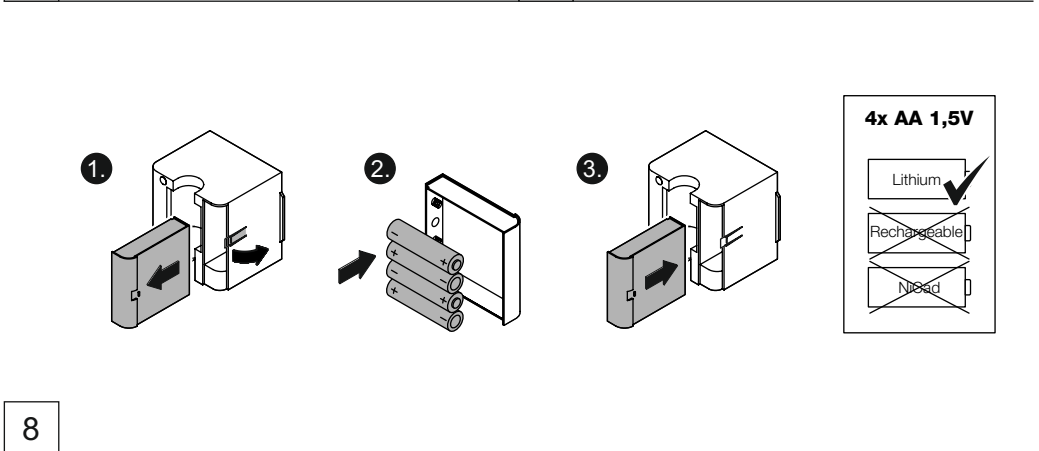
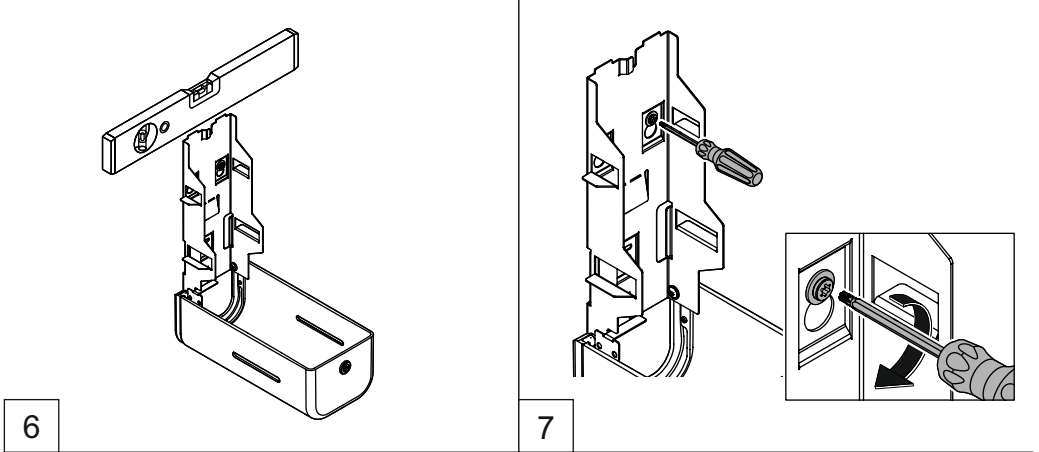
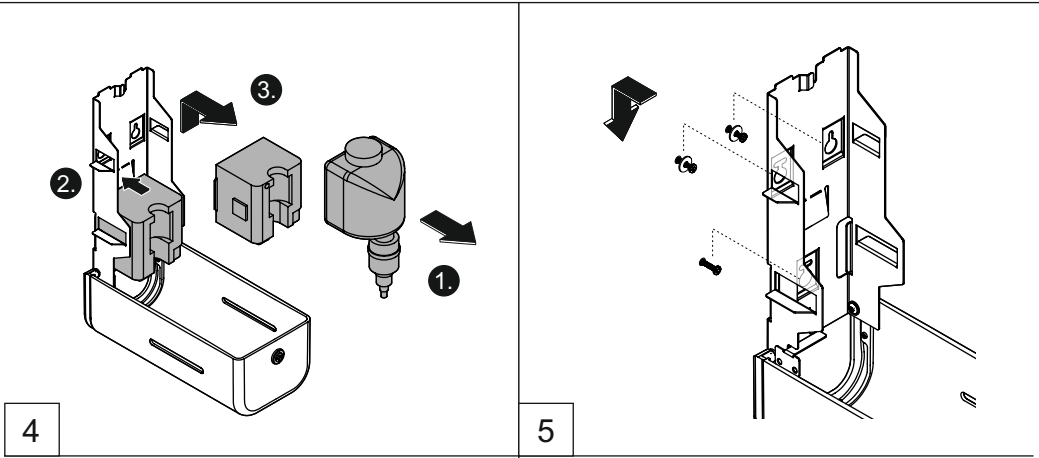


2

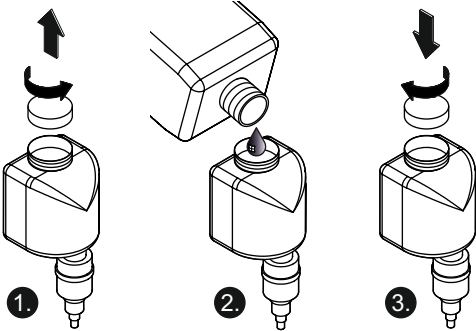


3

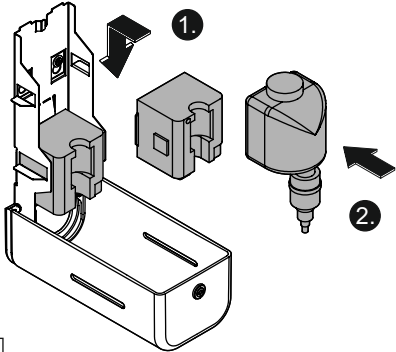
## Mounting



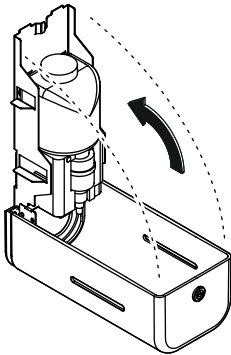
Mounting



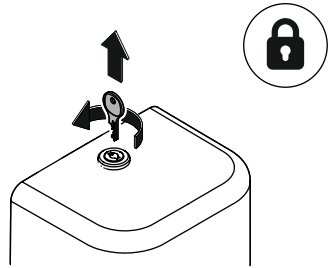
9



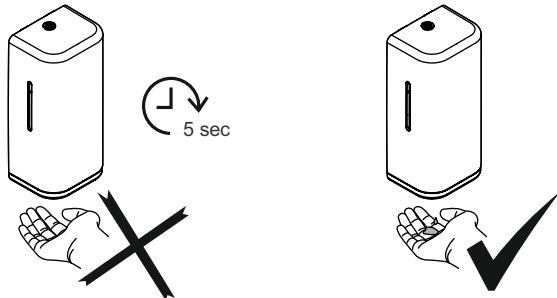
10



11



12



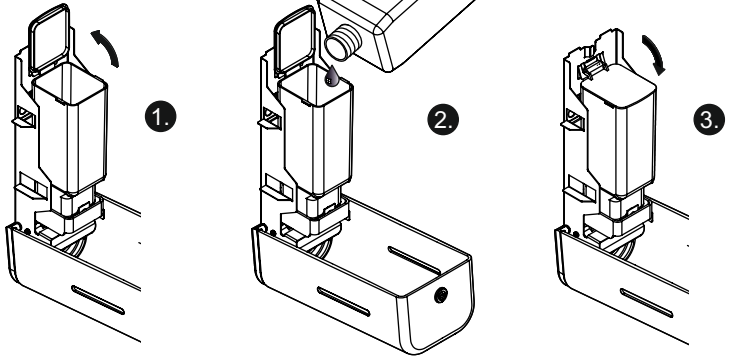
13

**Instructions for use**

**477.06.101...**  
**477.06B101...**  
**477.06.102...**  
**477.06B102...**  
**477.06.103...**  
**477.06B103...**  
**477.06.104...**  
**477.06B104...**

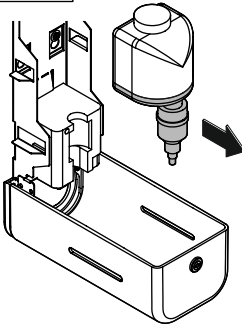
<b>Only suitable for</b>		<b>Not suitable for</b>
<b>477.06(B)101... :</b> - undiluted liquid soap - viscosity: 1500 - 4000 cps/mPa-s	<b>477.06.103... :</b> - foaming soap - viscosity: 1 - 5 cps/mPa-s	liquid soaps containing scouring agents
<b>477.06.102... :</b> - undiluted liquid soap - viscosity: 1 - 3000 cps/mPa-s	<b>477.06.104... :</b> - all standard disinfectants	liquid soaps that tend to thicken due to their ingredients (e.g. natural oils, alcohol, etc.)
		other cleaning products
<ul style="list-style-type: none"> <li>• Mixing different sorts of soaps/disinfectants might impair the function.</li> <li>• Do not insert any objects into soap discharge opening.</li> <li>• Disregarding this recommendation could lead to individual parts of the product being damaged.</li> </ul>		

477.06...101...

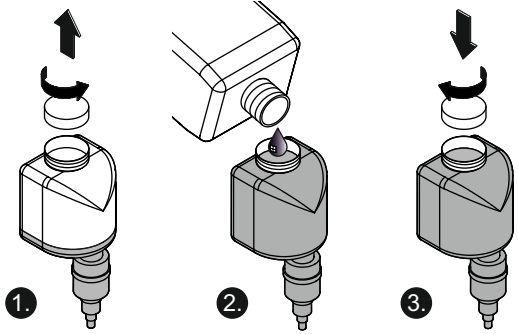


1

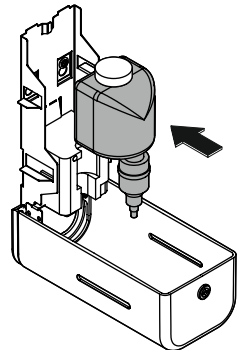
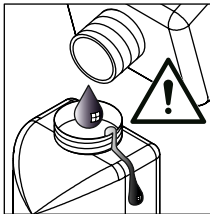
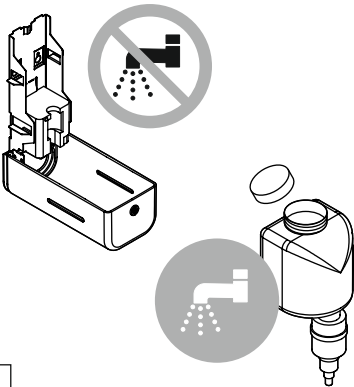
477.06...102...  
477.06...103...  
477.06...104...



1



2

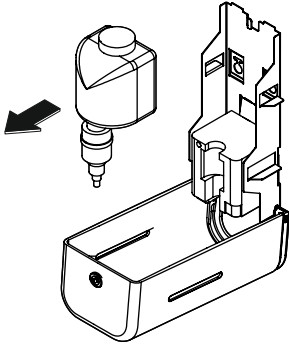


3

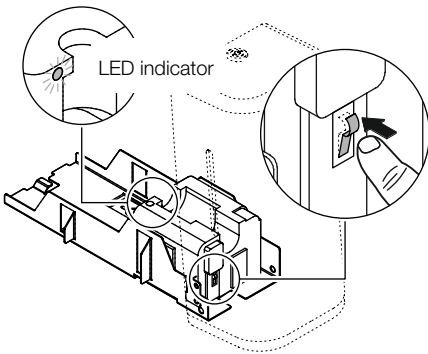


# Battery

only for  
477.06...102...  
477.06...103...  
477.06...104...

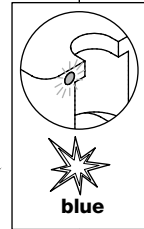
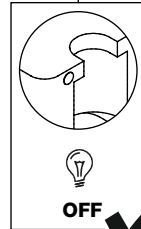
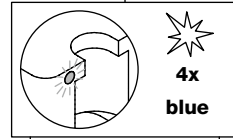


1

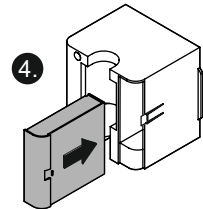
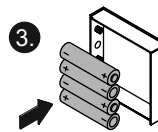
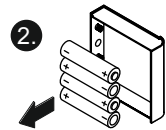
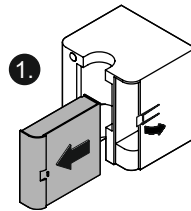


2

Check



Replace



4x AA 1,5V

Lithium

~~Rechargeable~~

~~NiCd~~

3

# HEWI

[www.hewi.com](http://www.hewi.com)



GERMANY

HEWI Heinrich Wilke GmbH

Prof.-Bier-Straße 1-5

D-34442 Bad Arolsen

Phone: +49 5691 82-0

Fax: +49 5691 82-319

[international@hewi.de](mailto:international@hewi.de)



M477.36M

2023/12