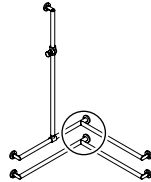


Care and cleaning

<https://www.hewi.com/de/service/downloads>



HEWI support

0044 1634 258200 (UK)
0049 5691 82-0 (international)

User information
Product information
Mounting information
Mounting
Demounting

User information

Intended purpose

The HEWI rail system is designed for use in bathrooms. It provides a gripping option for persons with or without physical disability when they shower or take a bath.

Exclusion of liability

HEWI accepts no liability whatsoever for damage to persons or property that occurs or has occurred as a result of improper mounting or maintenance, particularly if the safety instructions and other points to note listed are not or have not been observed in full. HEWI accepts no liability whatsoever for damage occurring from incorrect cleaning.

Warning notices



CAUTION!

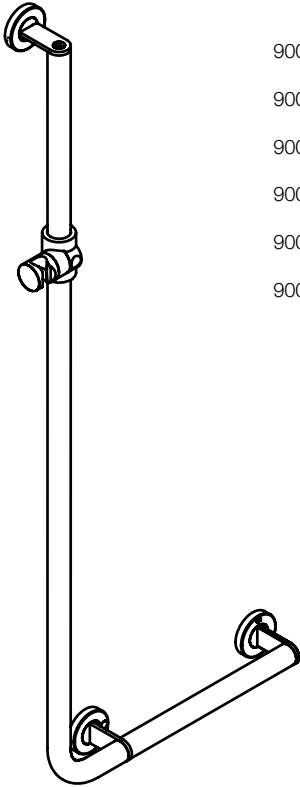
Comply with the intended purpose, stated maximum load and fixing instructions.

Safety instructions

These instructions are intended for qualified skilled personnel and the user of the installed product. Following installation, the instructions must be made available to the user.

- Follow with the installation instructions and instructions for use.
 - In case of questions, problems, uncertainties or if damage occurs, contact the HEWI support service.
 - Ensure that the product is installed, maintained and repaired by qualified, skilled personnel only.
 - Check the product for damage on acceptance. Report defects immediately.
 - Install/use the product only:
 - in accordance with its intended purpose
 - in its original condition without modifications
 - in perfect condition
 - Use original spare parts only.
 - Use only HEWI fixing materials.
 - Only use in closed rooms.
 - Ensure that the wall structure and handrail fixings permanently withstand the expected load. Lightweight construction walls must be appropriately lined at the back.
-

Product information



900.33.200...

900.33.201...

900.33.202...

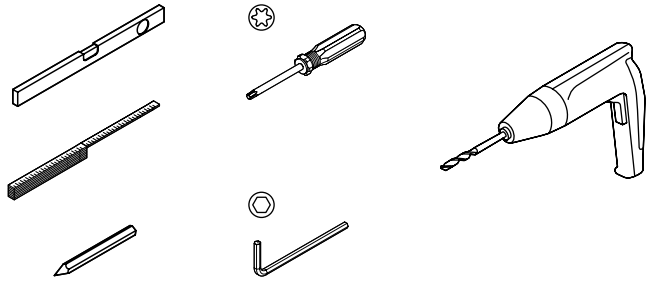
900.33.203...

900.33.2S0...

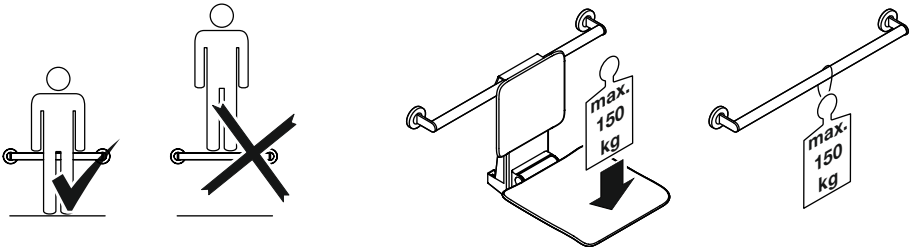
900.33.2S1...

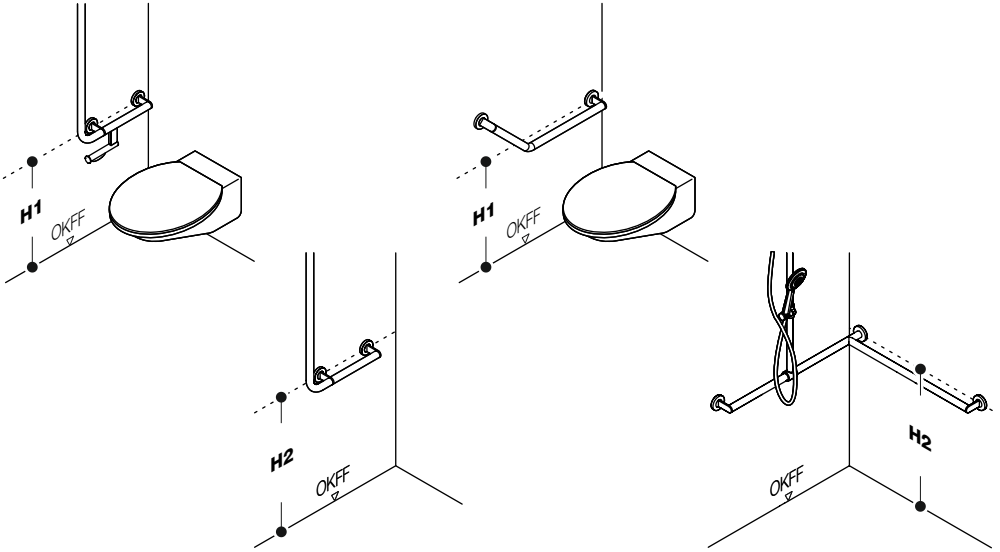
Mounting information

Tools required



Please use screw machines with extend-ed bit acceptance (approx. 100 mm)
as otherwise the drill chuck might damage the surface.

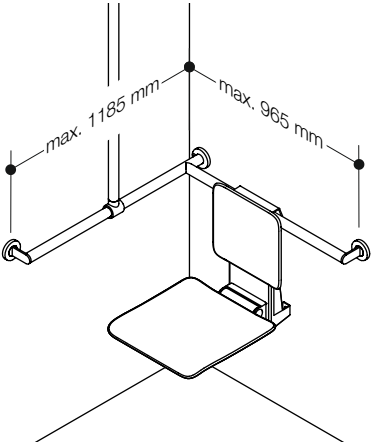




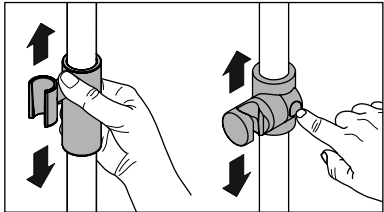
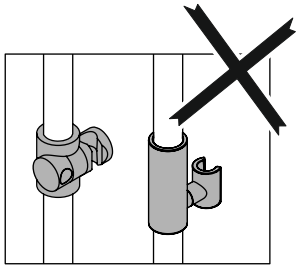
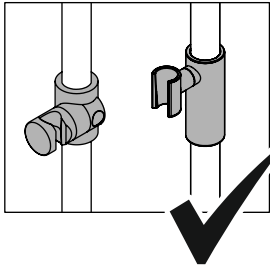
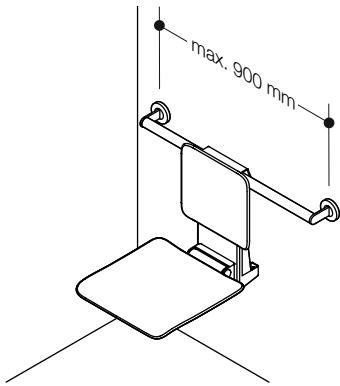
	DE NL I PL	CH	AT	F	UK	B	DK	
H1	740-760 mm	700-750 mm	750 mm	700-800 mm	680 mm	800 mm	800 mm	<p>480 mm</p>
H2	850 mm	700-750 mm	750-850 mm	700-800 mm	680 mm*	800 mm	800 mm	
								<p>* Only for UK: When using a hanging seat, make sure that the mounting height allows the seat to be 480 mm above the floor.</p>

Observe any differing or updated country-specific specifications!

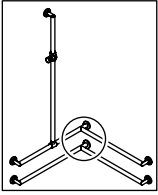
Mounting information



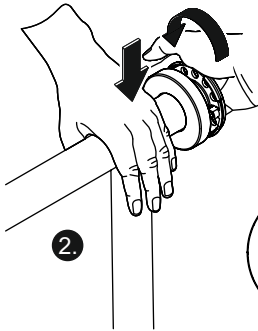
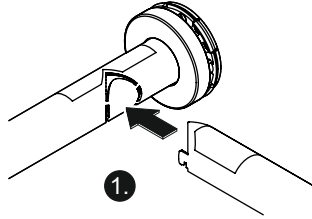
Risk of injury due to loss of stability!
Note maximum support spacings.



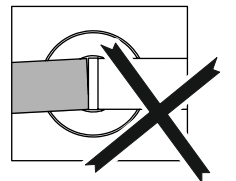
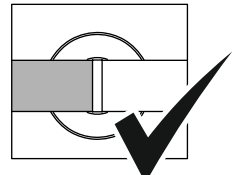
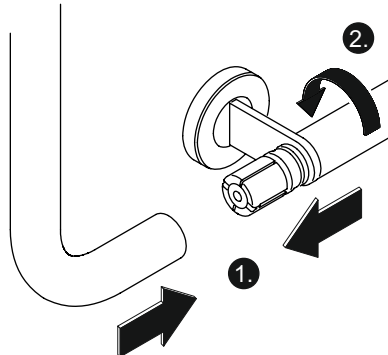
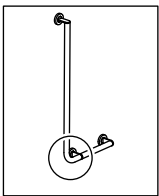
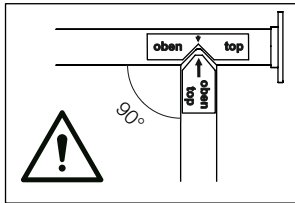
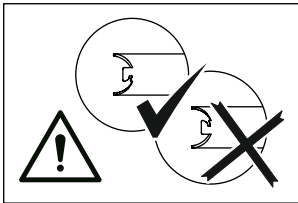
Mounting



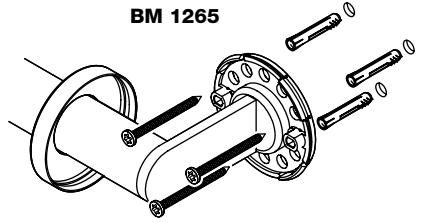
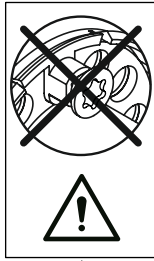
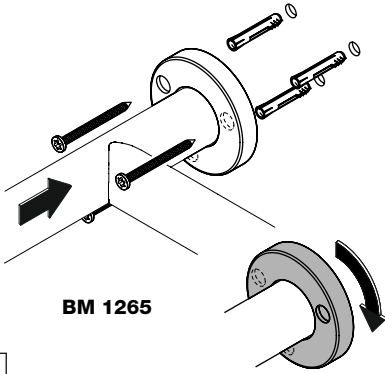
Example shown:
right-sided version



When joining the rails, note the sticker and hold the rails at right angles.

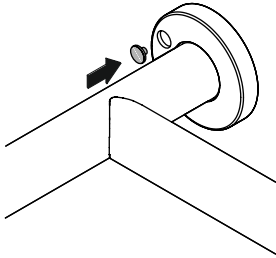


Mounting

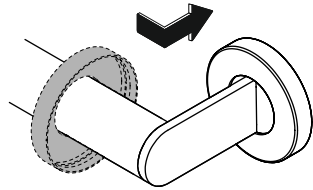


7

8

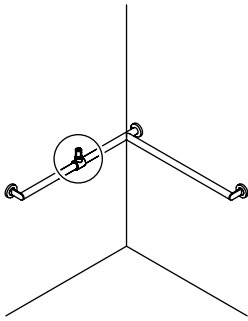
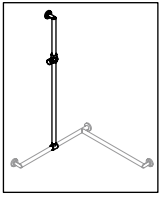


9

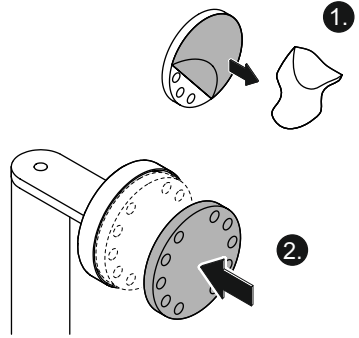


10

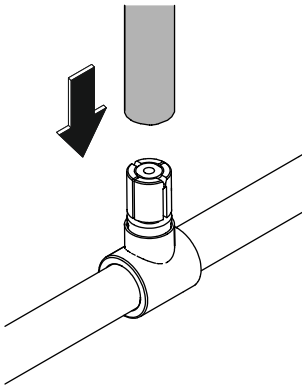
Mounting



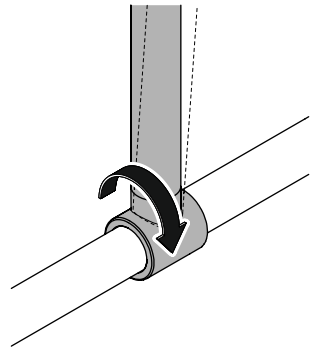
1



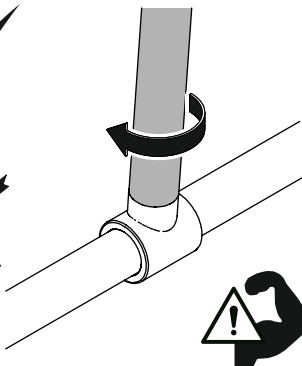
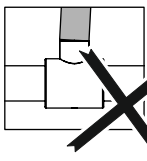
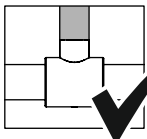
2



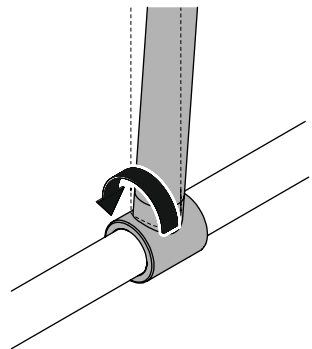
3



4

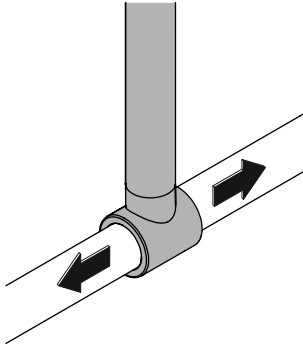


5

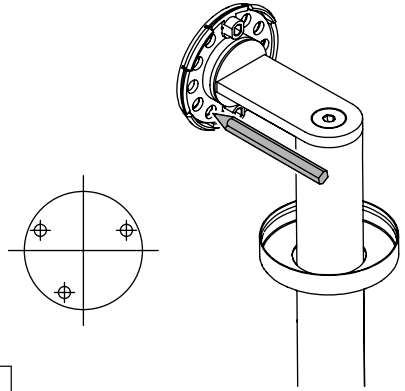


6

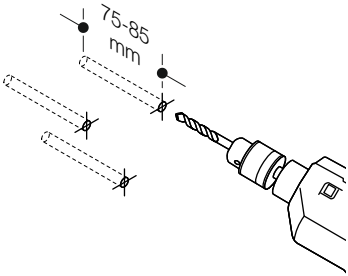
Mounting



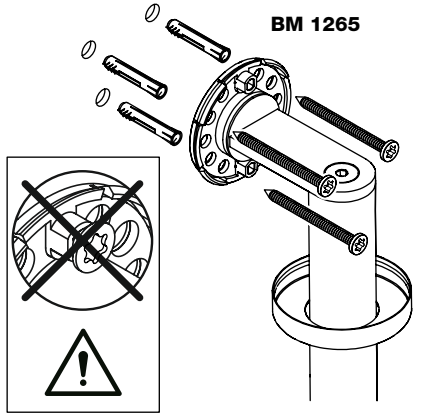
7



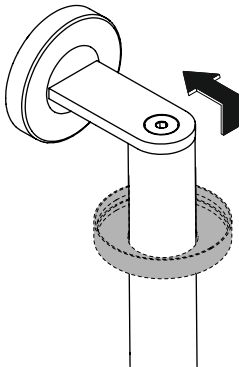
8



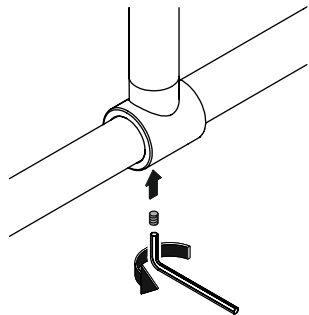
9



10

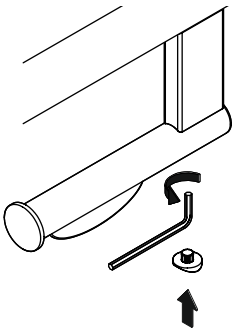
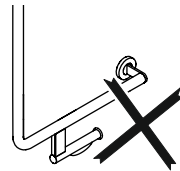
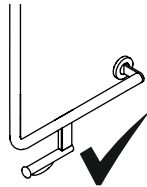
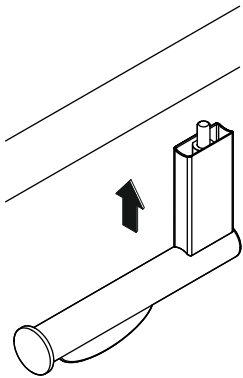
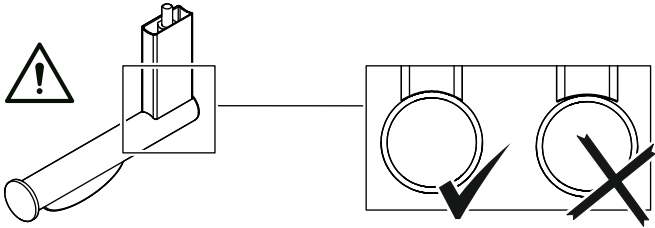
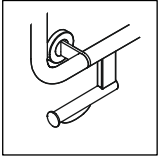


11

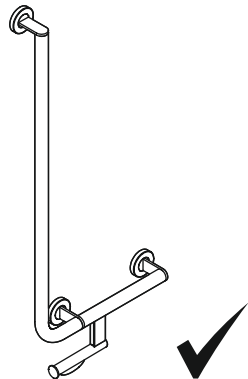


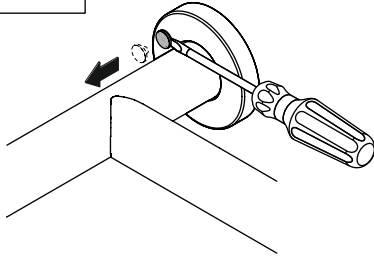
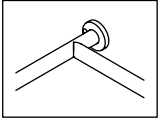
12

Mounting

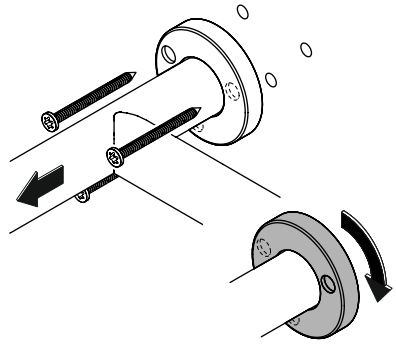


SW 6
max. 10 Nm

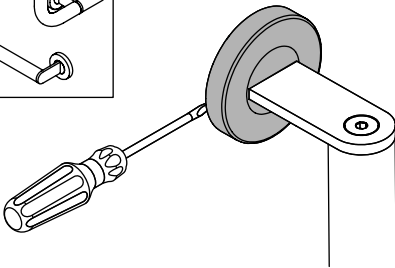
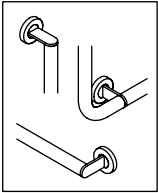




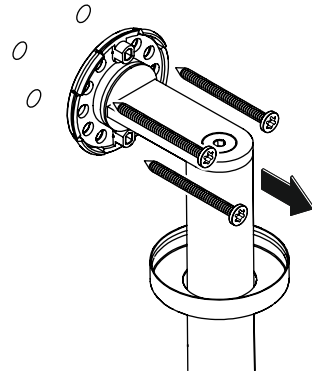
1



2



1



2

HEWI

www.hewi.com

 GERMANY
HEWI Heinrich Wilke GmbH
Postfach 1260
34442 Bad Arolsen
Phone: +49 5691 82-0
Fax: +49 5691 82-319
international@hewi.de



M9000.08

2025/10