

Installation and operating instructions Notice

HEWI support

0044 1634 258200 (UK)
0049 5691 82-0 (international)

User information	4
Care and cleaning	9
Mounting information Product	14
information Mounting	15/19
Demounting	16/21
Warning notices	18/24
	25

Intended purpose

The HEWI hinged seat is designed for use in bathrooms, especially showers. It provides a seat for persons with and without physical disabilities during showering.

Exclusion of liability

HEWI accepts no liability whatsoever for damage to persons or property that occurs or has occurred as a result of improper mounting or maintenance, particularly if the safety instructions and other points to note listed are not or have not been observed in full. HEWI accepts no liability whatsoever for damage occurring from incorrect cleaning.

Warning notices



CAUTION!

Risk of injuries

Comply with the intended purpose, stated maximum load and fixing instructions.



CAUTION!

Risk of injuries

When folding down the seat, ensure that there is no part of the body under the product.

Safety instructions

These instructions are intended for qualified skilled personnel and the user of the installed product. Following installation, the instructions must be made available to the user.

- Follow with the installation instructions and instructions for use.
- In case of questions, problems, uncertainties or if damage occurs, contact the HEWI support service.
- Ensure that the product is installed, maintained and repaired by qualified, skilled personnel only.
- Check the product for damage on acceptance. Report defects immediately.
- Install/use the product only:
 - in accordance with its intended purpose
 - in its original condition without modifications
 - in perfect condition
- Use original spare parts only.
- Use only HEWI fixing materials.
- Only use in closed rooms.
- Ensure that the wall structure can permanently withstand the expected load. Lightweight construction walls must be appropriately lined at the back.

Cleaning

**CAUTION!****Risk of injury**

Improper cleaning can cause damage to the surface and lead to injuries.

- Clean the product as and when required.
- Follow the manufacturer's instructions regarding concentration, contact time, etc.
- Always apply the cleaning product on a cloth; do not apply it directly on the surface.
- Rinse with cold water immediately after cleaning.
- Note the material-specific information on suitable/unsuitable cleaning products.
- Try out all products on an inconspicuous area before use.
- Do not use any products with unknown composition.

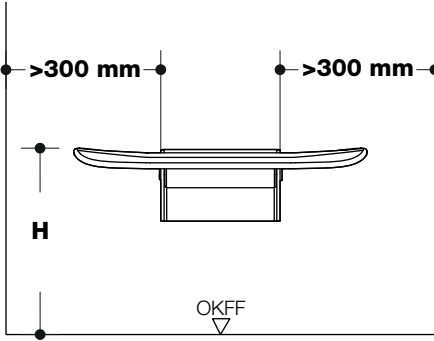
Unsuitable cleaning products

- Abrasive products/objects (e.g. scouring agents, scourer sponge, brushes, steel wool, microfibres, dirt erasers)
- Alkaline, acidic and chlorine-based cleaning products, solvents
- Steam cleaners
- Do not treat metal components with objects containing iron (e.g. scourer sponge, steel wool).


Disposal

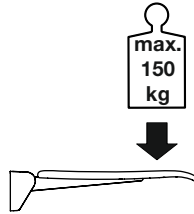
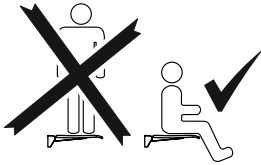
Disposal of the product and packaging is subject to the relevant national regulations.

Mounting information

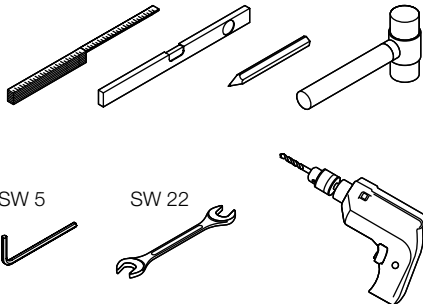


Observe any differing or updated country-specific specifications!

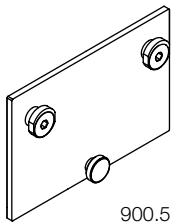
	DE, NL, I, PL	AT	CH	F	UK	B	DK, N, SE
H	460-480 mm	460-480 mm	460 mm	450-500 mm	480 mm	500 mm	500 mm



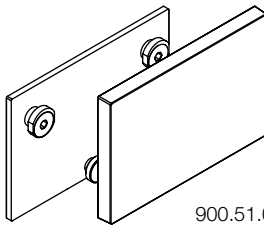
Tools required Outillage



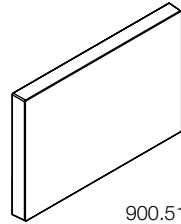
Serie 900/Range 900



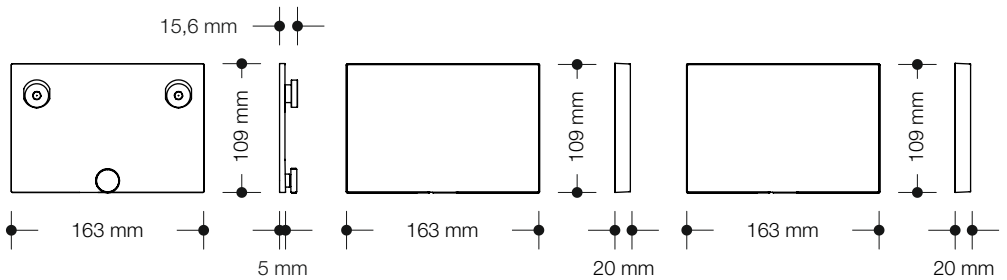
900.51.001...



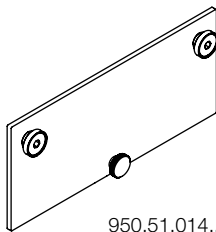
900.51.003...



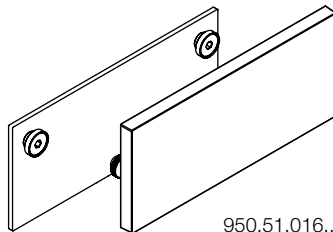
900.51.002...



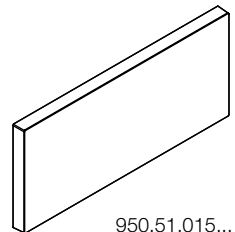
Serie 950/Range 950



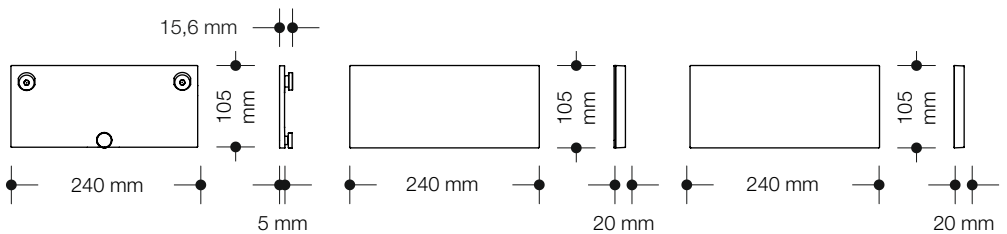
950.51.014...



950.51.016...

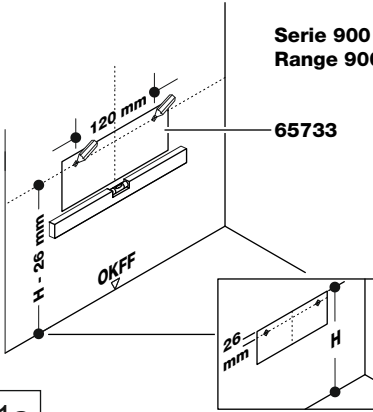


950.51.015...



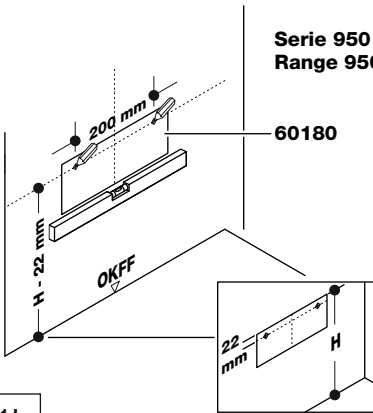
Mounting

Serie 900 Range 900



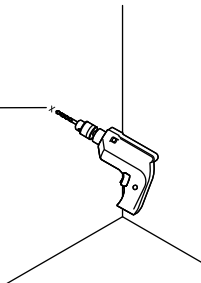
1a

Serie 950 Range 950



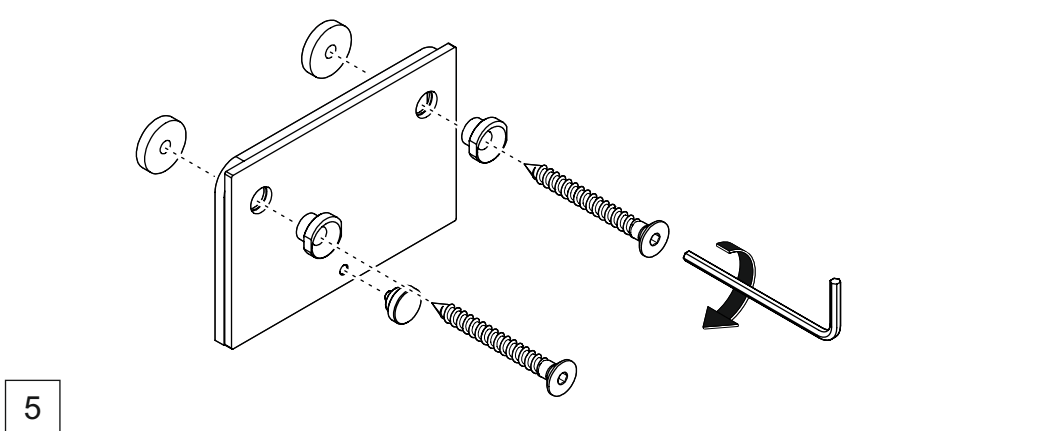
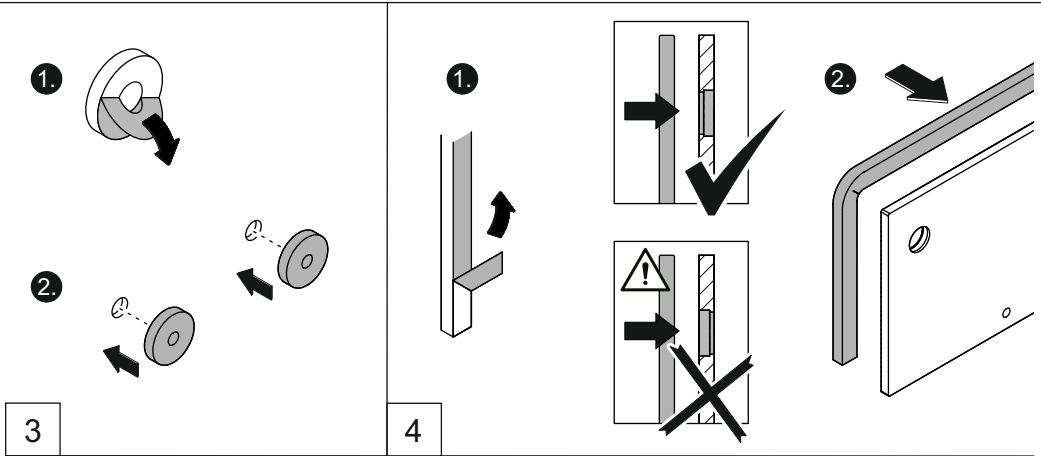
1b

- ø BM10.2
- ø BM11.2
- ø BM12.2
- ø BM13.2
- ø BM17.2
- ø BM18.2

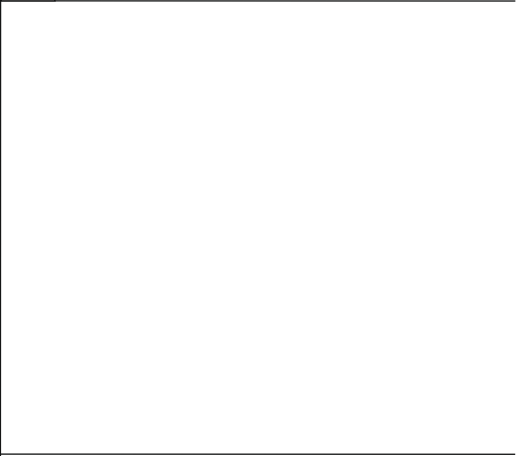
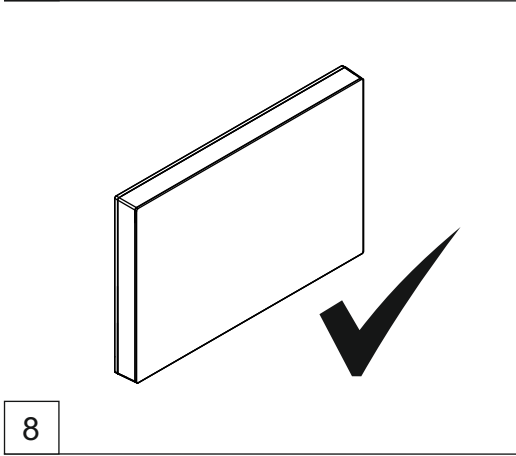
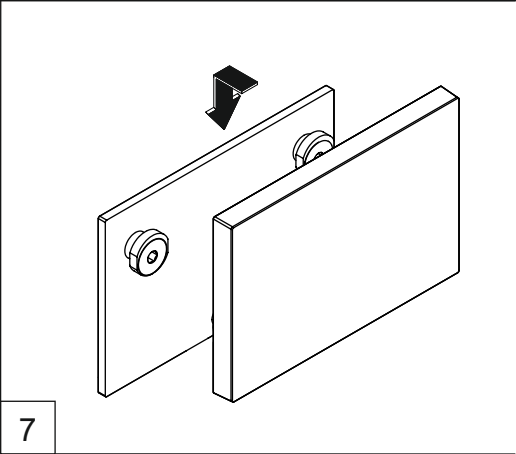
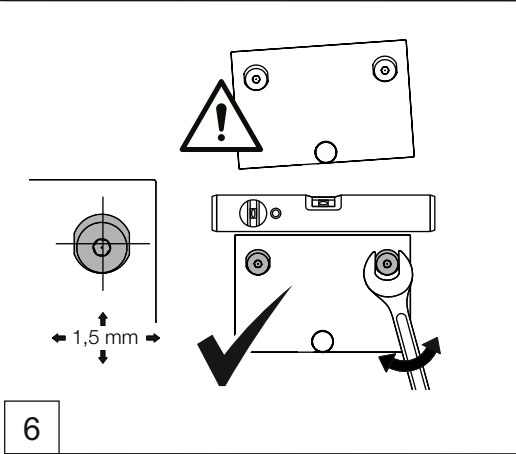


- BM10.2** – Concrete (synthetic dowel)
- BM11.2** – Aircrete
- BM12.2** – Lightweight walls with rear lining
- BM13.2** – Lightweight walls with steel plates
- BM17.2** – Concrete
- BM18.2** – Solid/perforated bricks, lightweight concrete

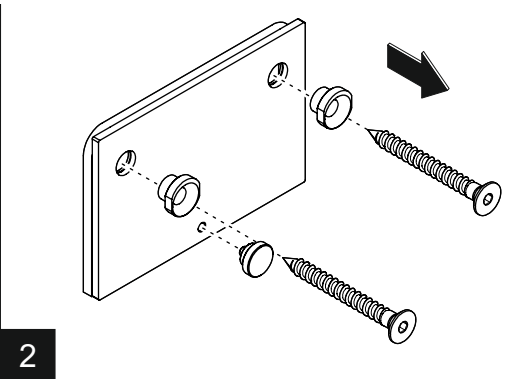
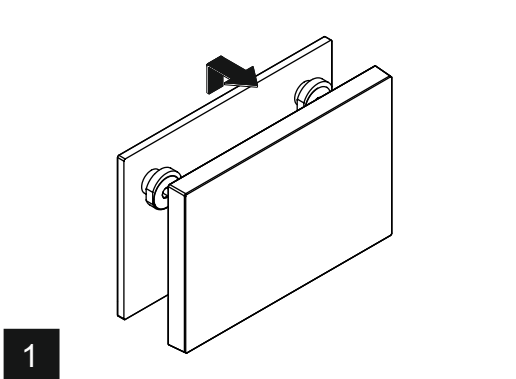
2



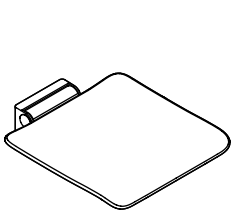
Excessive screwing forces can cause deformation of the mounting plate.



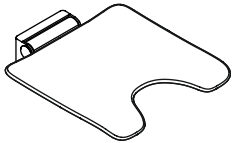
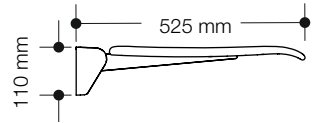
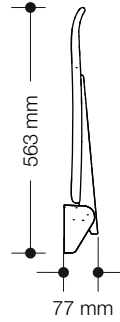
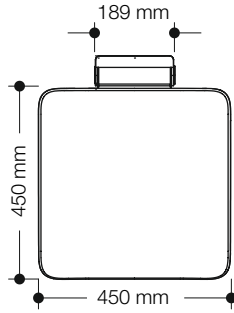
Demounting



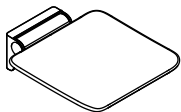
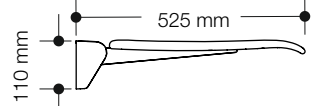
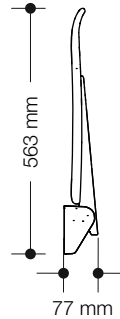
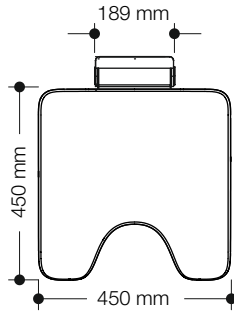
Serie 900/Range 900



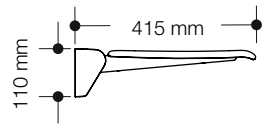
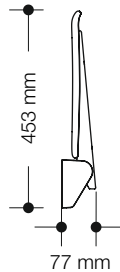
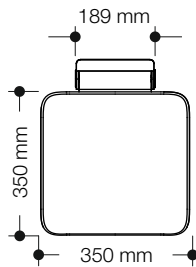
900.51.40140
900.51.40160
900.51.401XA



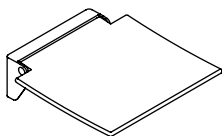
900.51.40440
900.51.40460
900.51.404XA



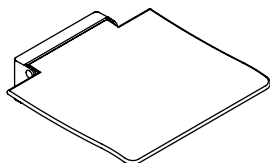
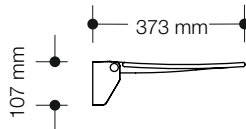
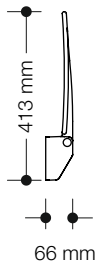
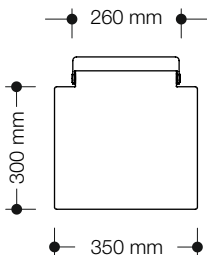
900.51.40040
900.51.40060
900.51.400XA



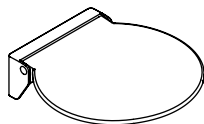
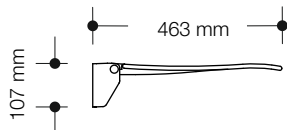
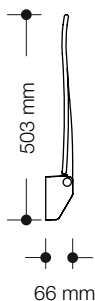
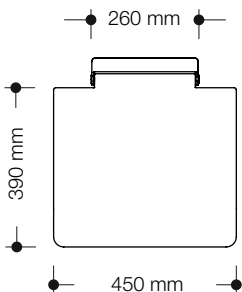
Serie 950/Range 950



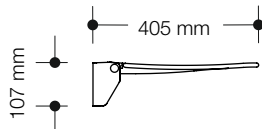
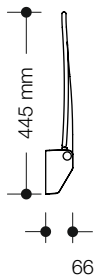
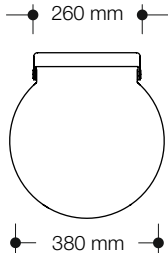
950.51.40090
 950.51.40190
 950.51.400XA
 950.51.40590

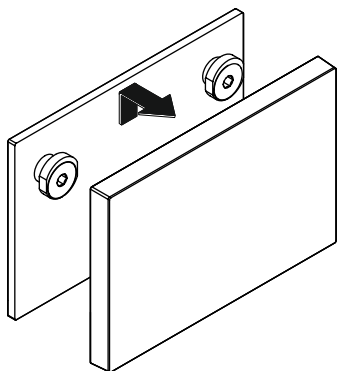


950.51.41090
 950.51.41190
 950.51.410XA
 950.51.41590

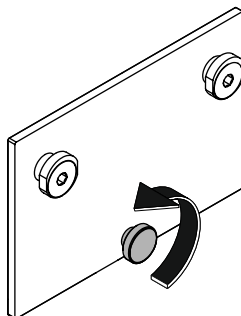


950.51.42090
 950.51.42190
 950.51.420XA
 950.51.42590

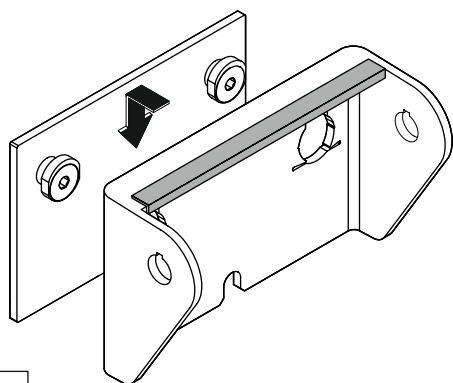




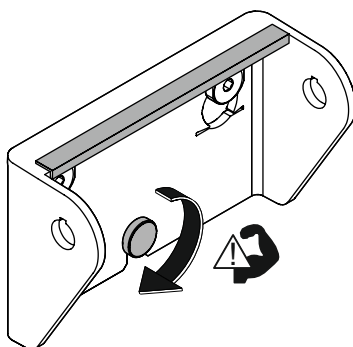
1



2



3



4

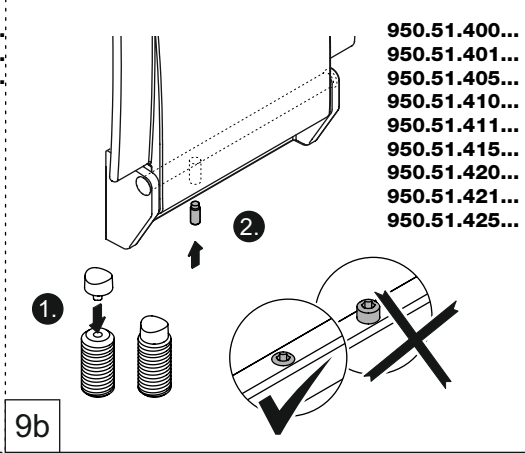
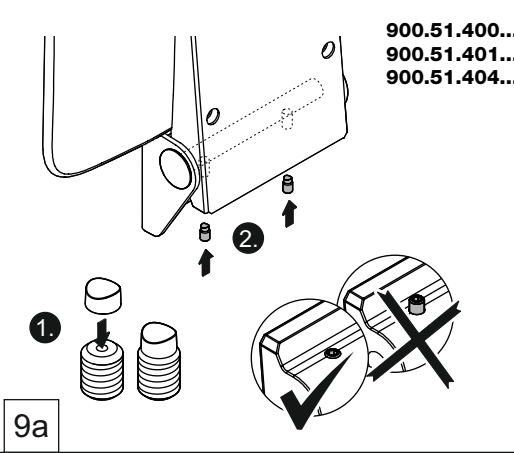
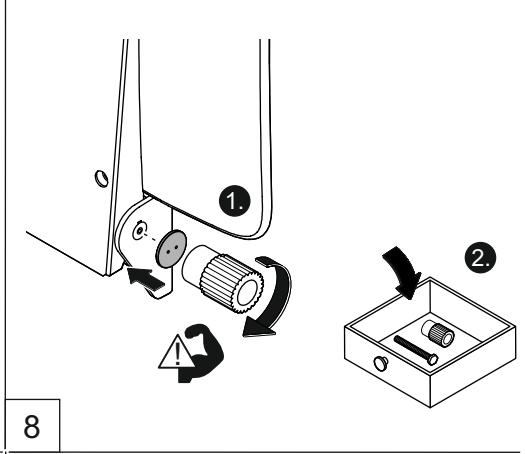
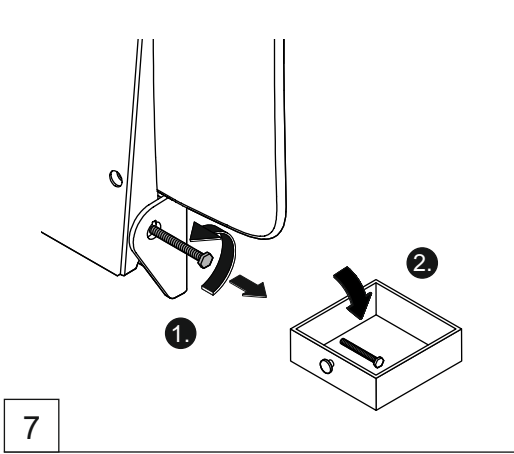
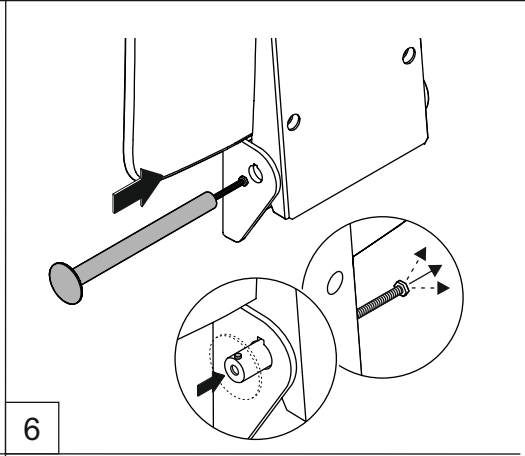
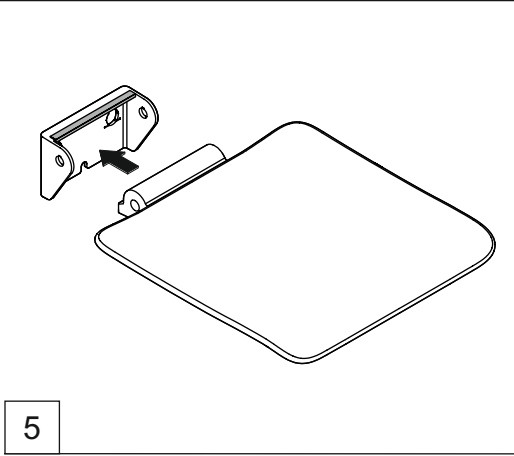


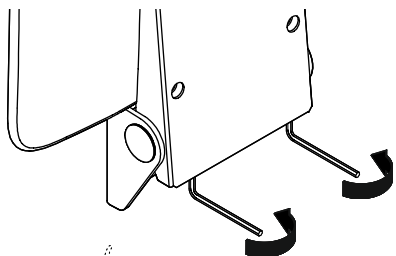
CAUTION!

Risk of injuries

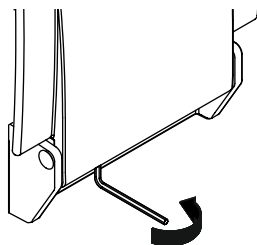
When mounting the seat, always completely tighten the screw.

Mounting

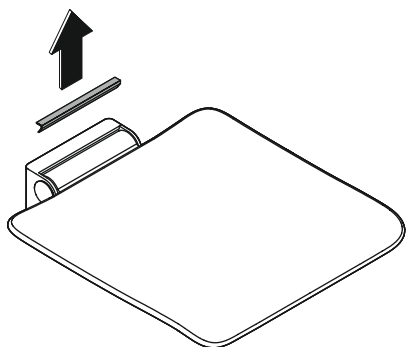




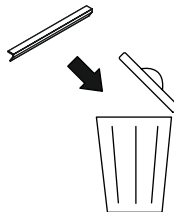
10a

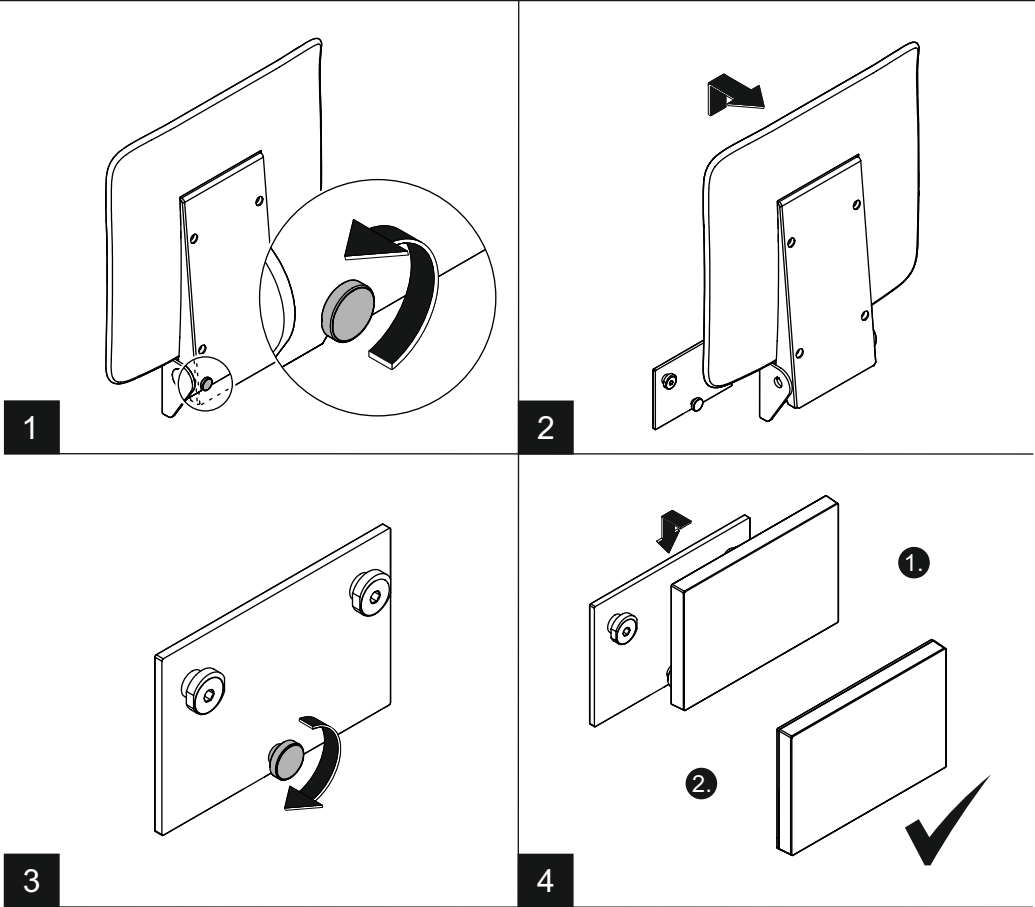


10b



11

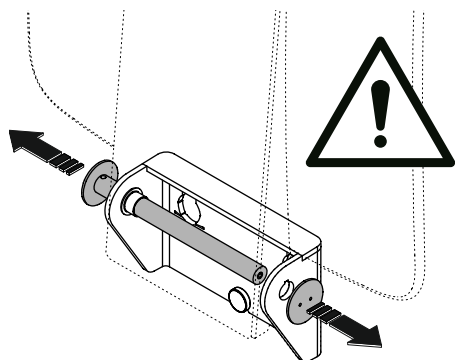




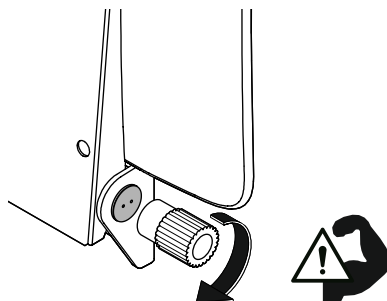
To avoid damage to the surface, always completely undo the screw when dismantling the seat.

 **CAUTION!** Risk of injuries

Check axle after 6 months and tighten if necessary in order to prevent axle from coming loose.



after 6 months



HEWI

www.hewi.com

Deutschland

HEWI Heinrich Wilke GmbH

Postfach 1260

D-34442 Bad Arolsen

Telefon: +49 5691 82-0

Telefax: +49 5691 82-319

info@hewi.de