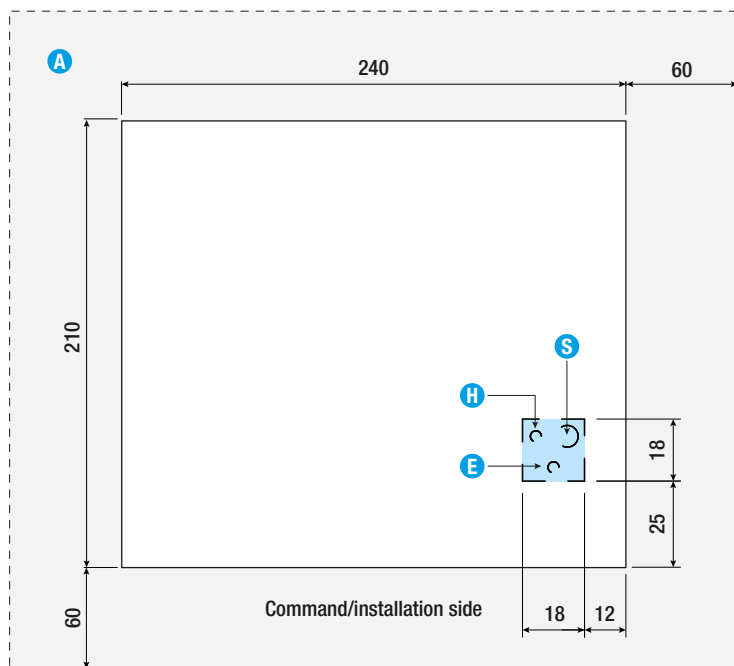


HELBA 240

cm 240 x 210 - h 86

INSTALLATION REQUIREMENTS



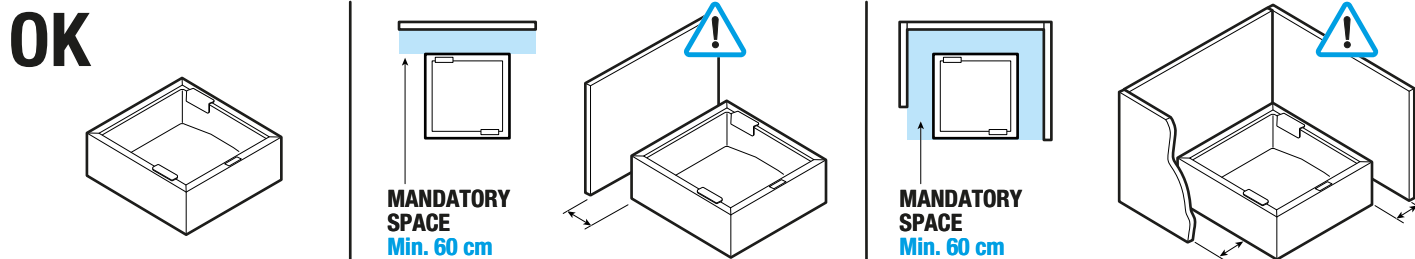
A Mandatory technical space for perimeter inspection/special maintenance

E The electrical connection must be prepared within the area indicated by the blue rectangle. Electrical box prepared with PG21 cable gland

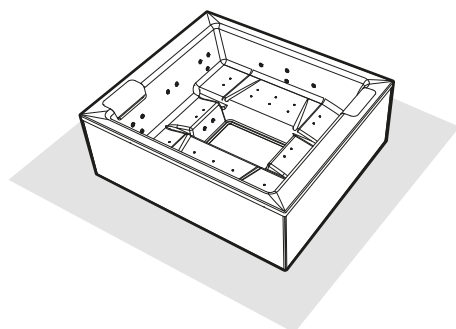
H The H2O connection must be prepared within the area indicated by the blue rectangle. H2O load connection $\text{\O}3/4''$ prepared.

S The drainage must be prepared within the area indicated by the blue rectangle. Drainage connection prepared.

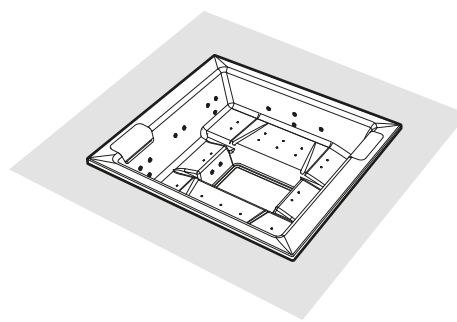
It is recommended to install filter taps upstream of the hydraulic system.
The company declines any responsibility for problems arising from the failure to install these.



AVAILABLE INSTALLATIONS



FREESTANDING

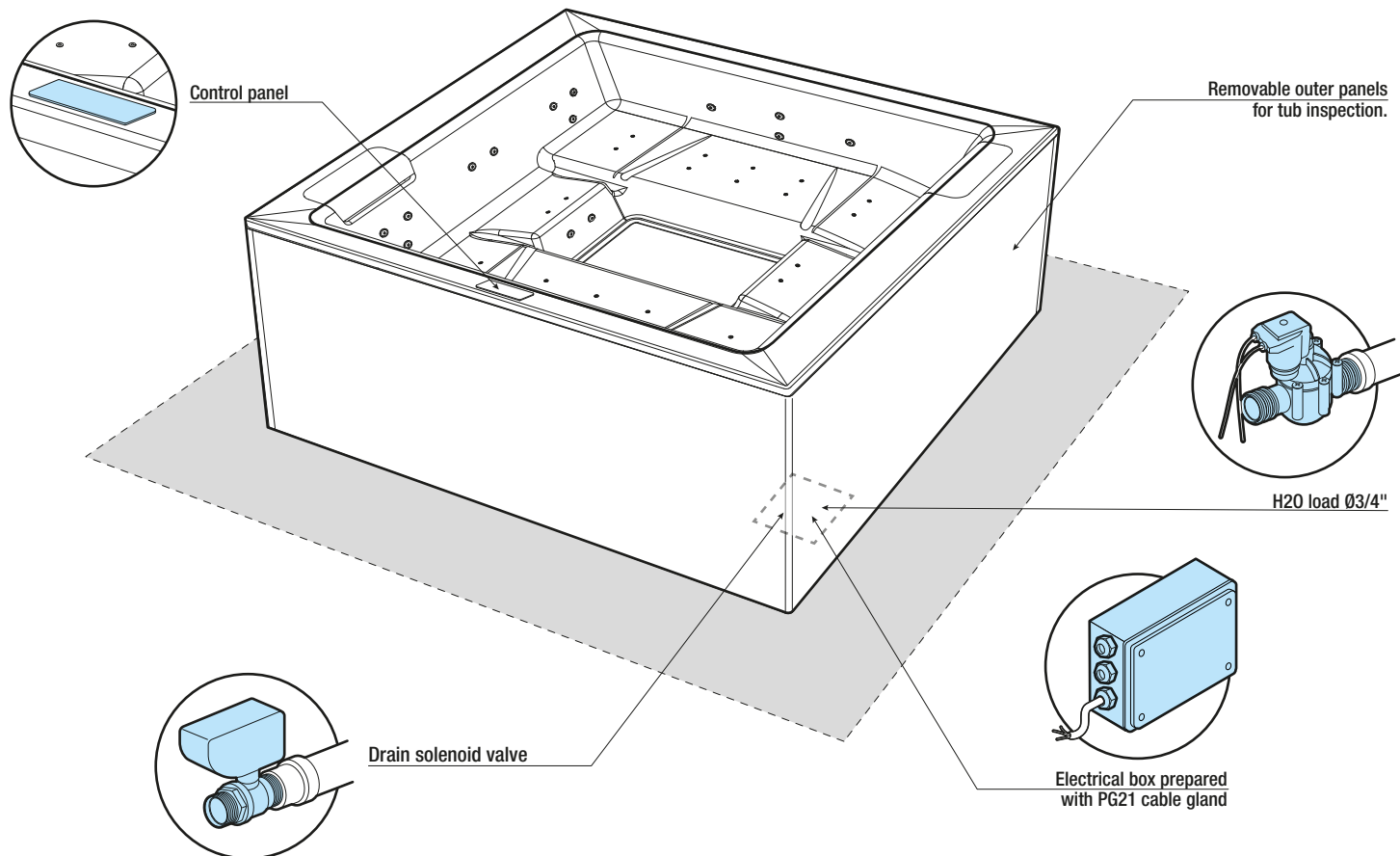


BUILT-IN

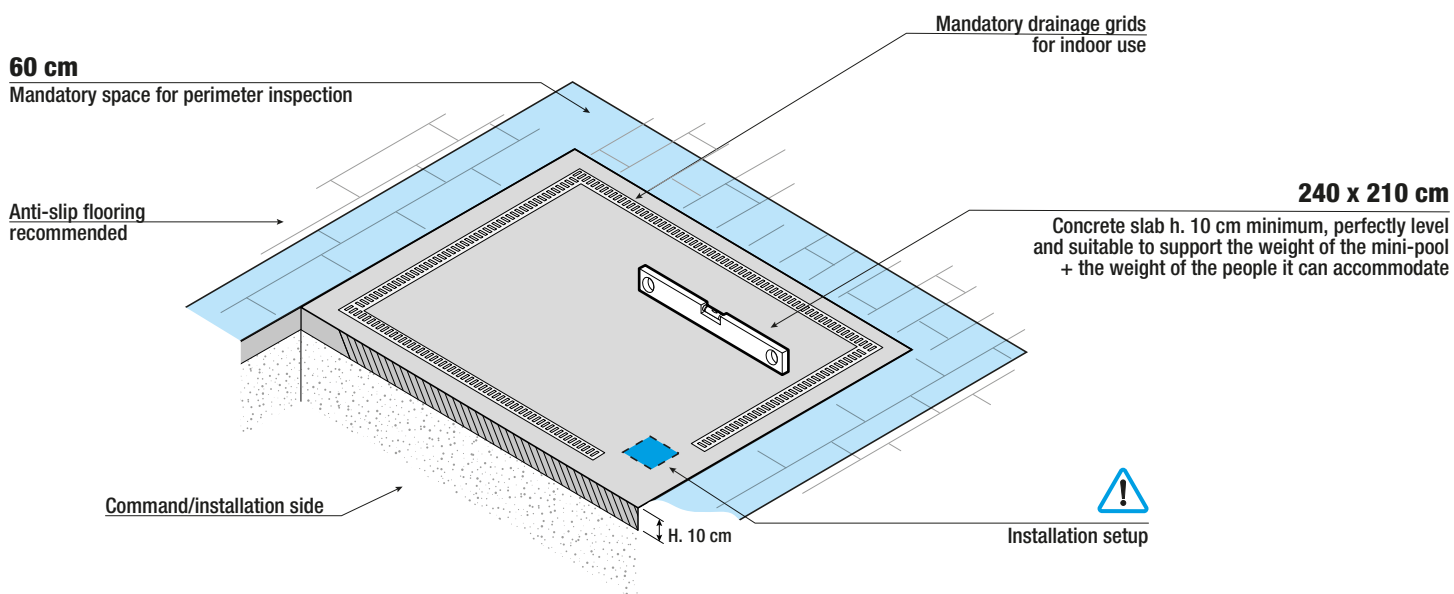
HELBA 240

cm 240 x 210 - h 86

FREESTANDING INSTALLATION



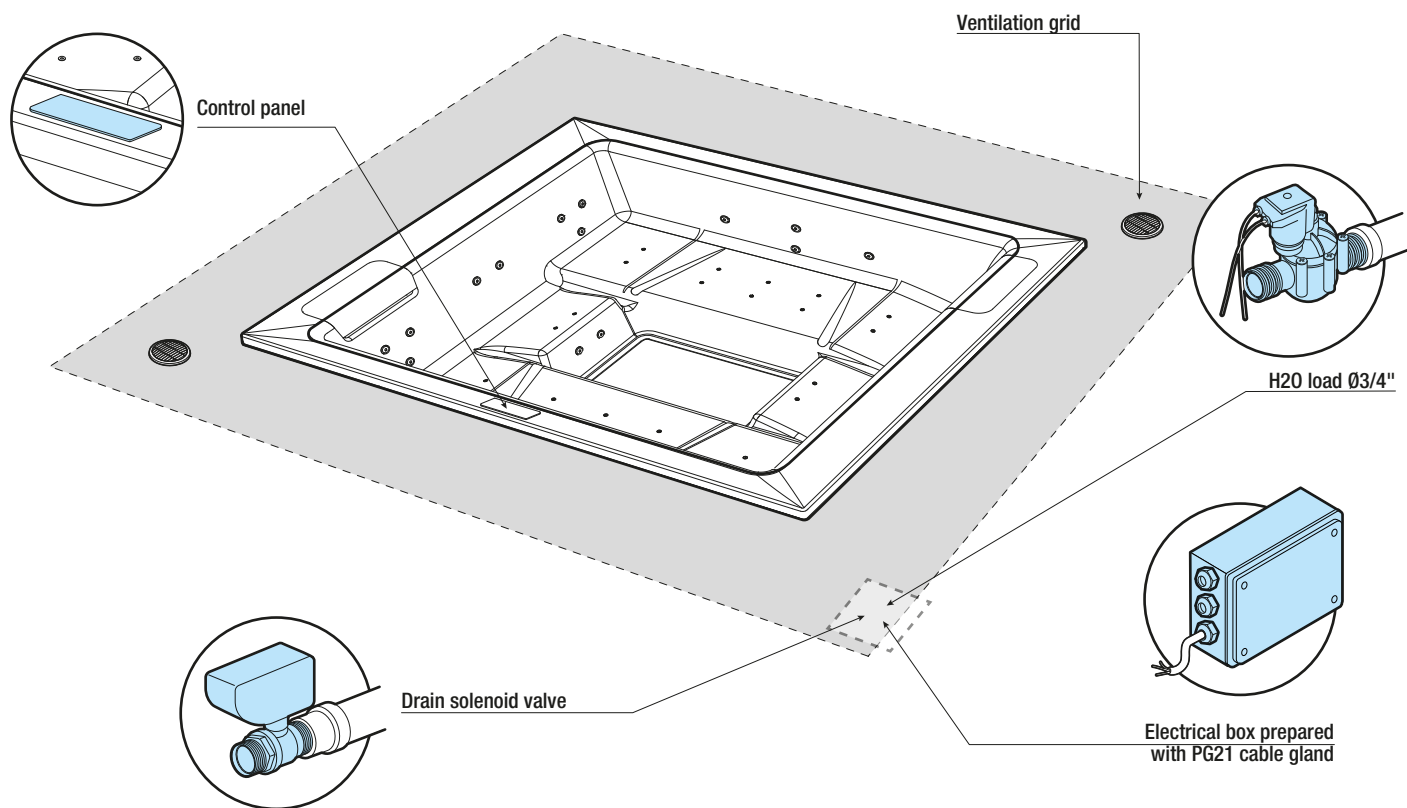
SITE PREPARATION



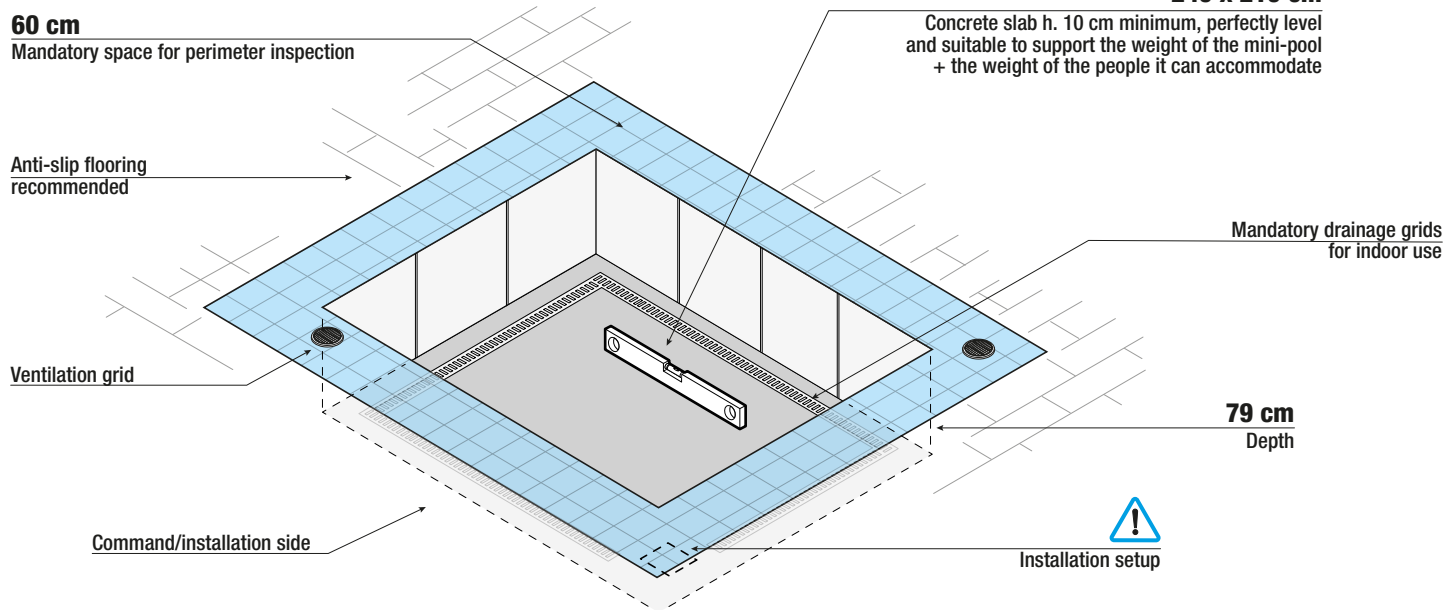
HELBA 240

cm 240 x 210 - h 86

BUILT-IN INSTALLATION



SITE PREPARATION

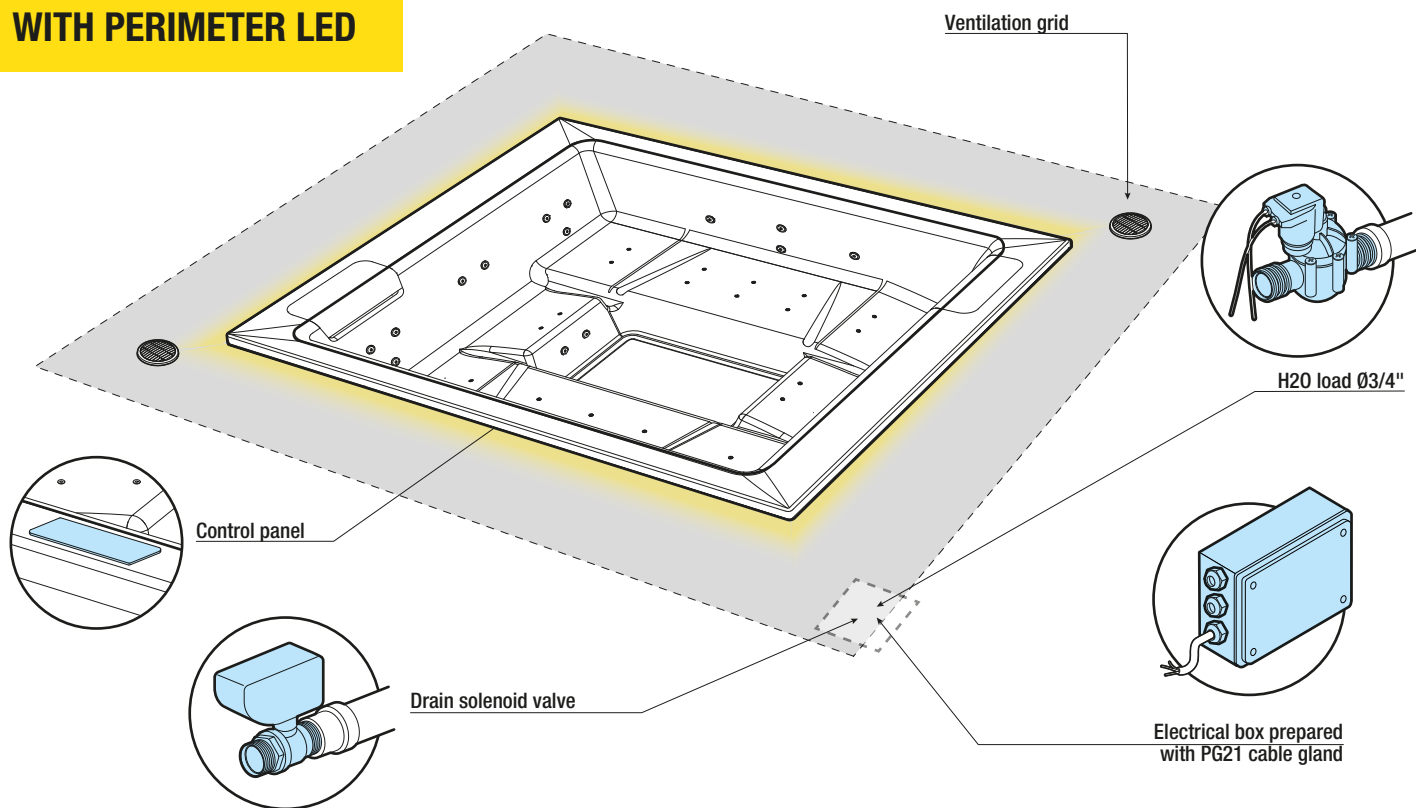


HELBA 240

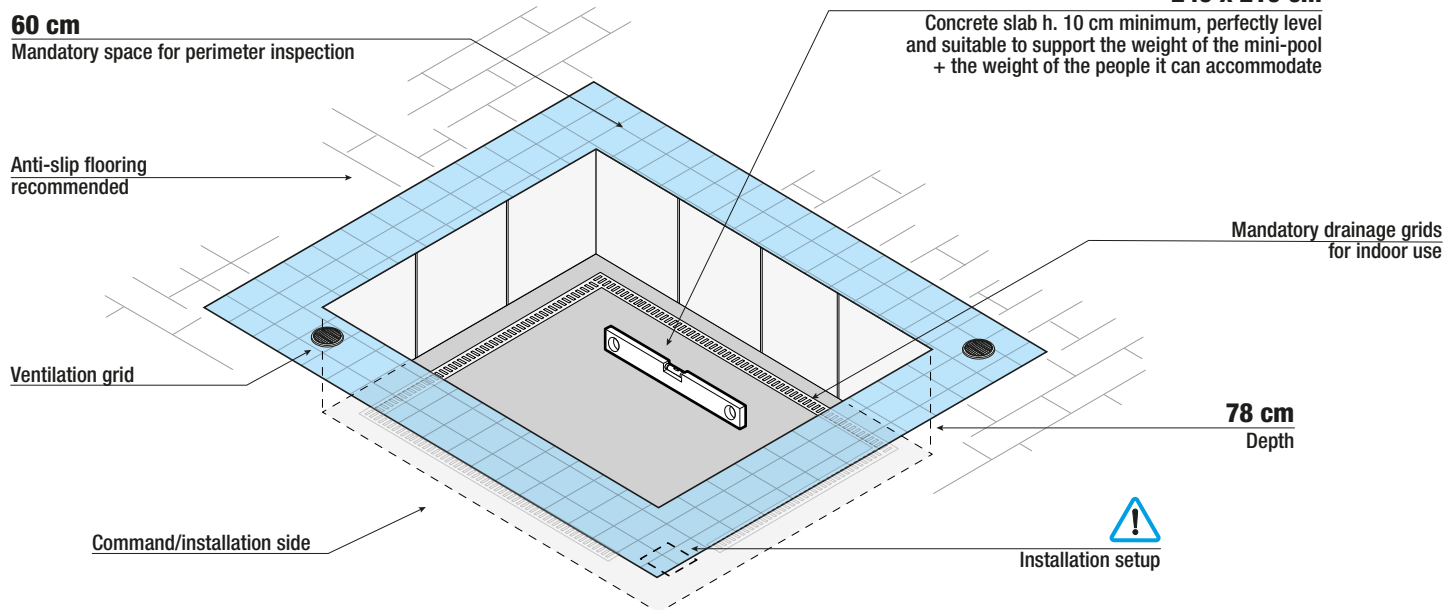
cm 240 x 210 - h 86

BUILT-IN INSTALLATION

WITH PERIMETER LED



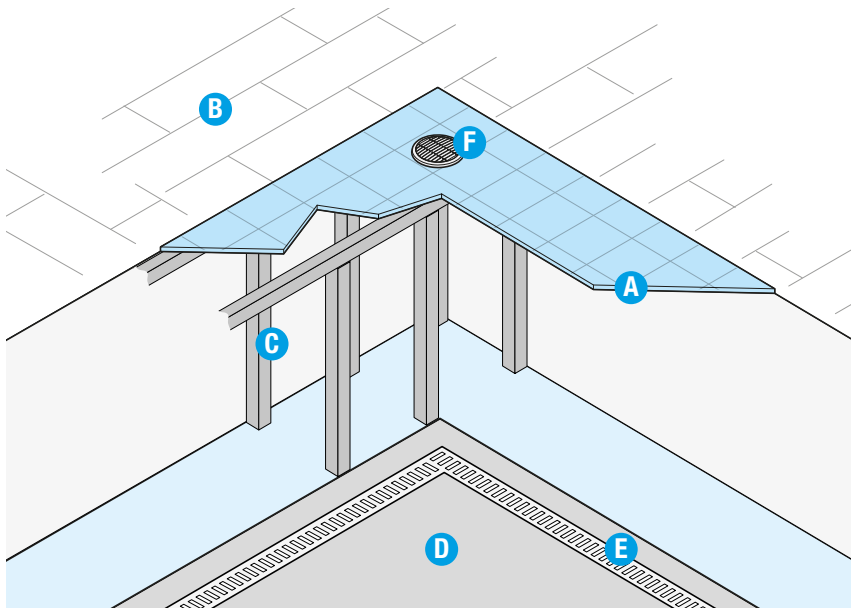
SITE PREPARATION



HELBA 240

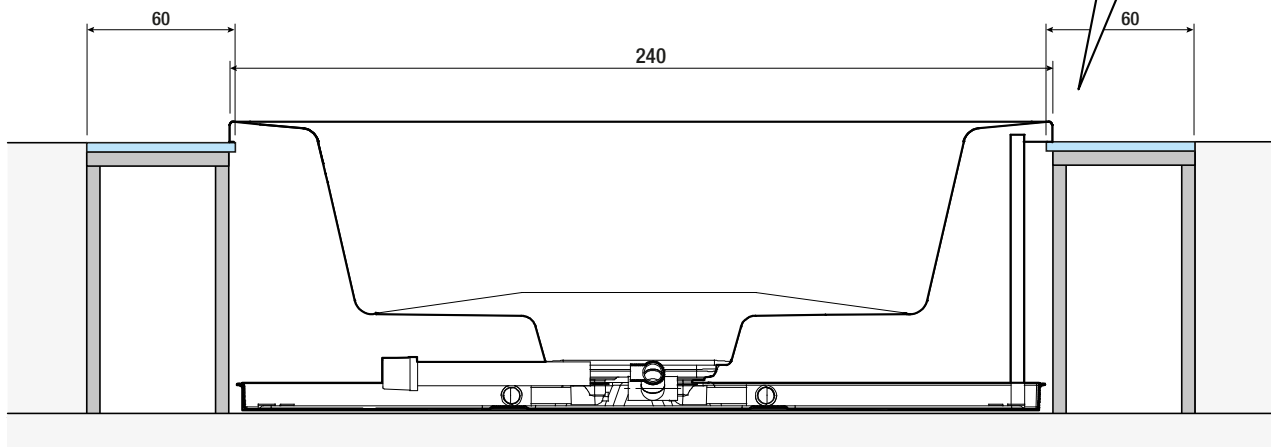
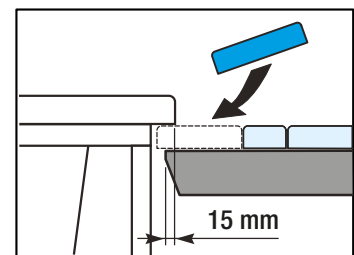
cm 240 x 210 - h 86

BUILT-IN COMPARTMENT DETAILS



- A** Compartment for perimeter inspection of 60cm with removable floor
- B** Anti-slip flooring recommended
- C** Structure for removable floor
- D** Concrete slab h. 10 cm
- E** Drainage grids
- F** Ventilation grids Ø15 cm

To achieve a good fit between the mini-pool and the covering, it is recommended to lay the last row of tiles (near the edge) after installation.

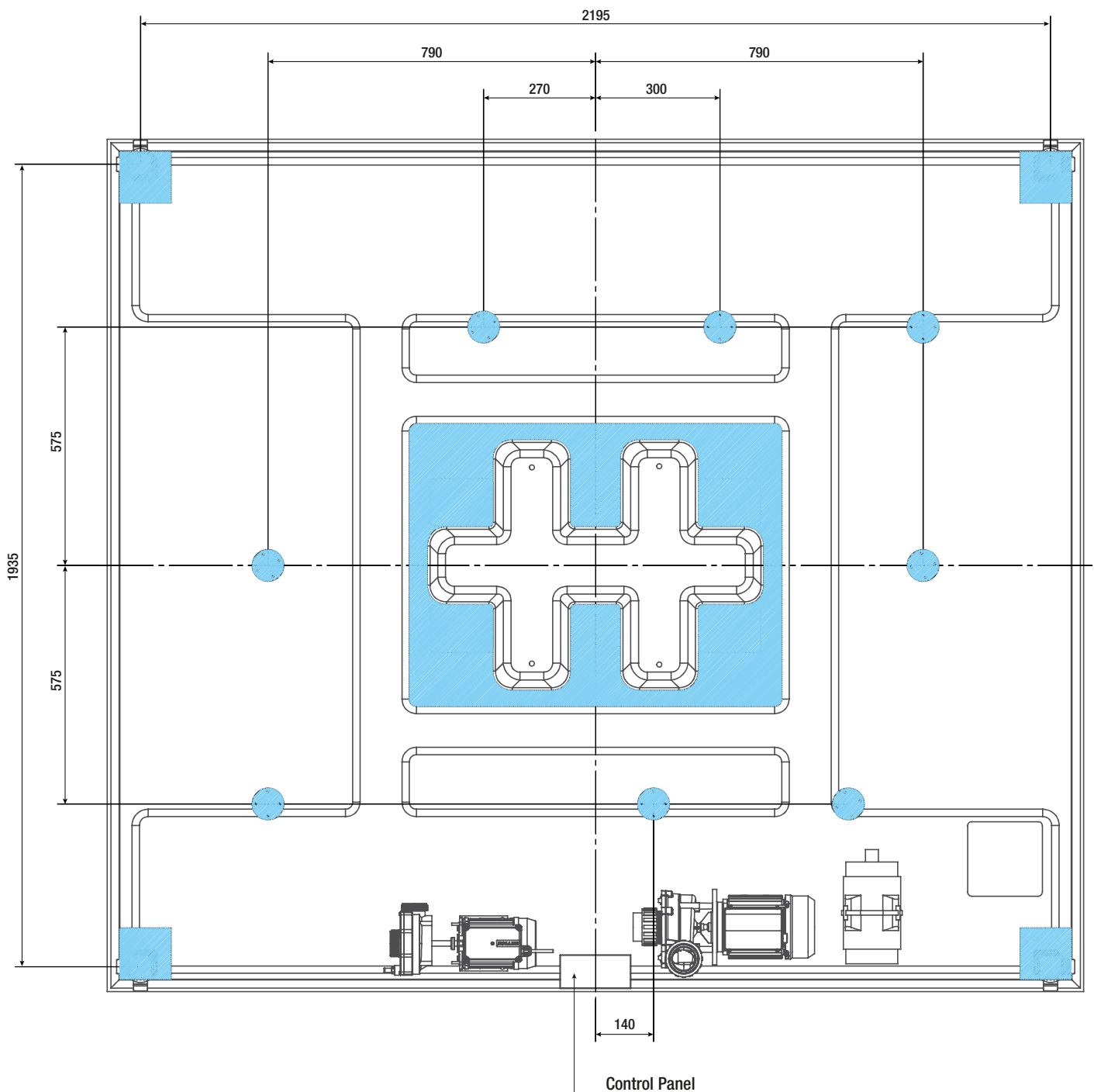


It is recommended that the weight of the mini-pool should bear on the base and not on the edges.

HELBA 240

cm 240 x 210 - h 86

SUPPORT AREA FOR MINI SPA



Support areas

ATTENTION

EN

INSTALLATION PREPARATION

If installed by qualified personnel following the instructions in the attached installation manual, the system presents no risk to the user. However, safety is also linked to proper use as specified in the respective manual, while the user must delegate the operations described in the installation manual to qualified personnel. It is important to ensure that the personnel in charge of the installation or management of the system are qualified according to the legal provisions in force in the country where the installation is carried out.

HYDRAULIC PREPARATION

- Any connections to the potable water network (other than those suggested) must be made in compliance with EN1717 standard, adopting the "AA", "AB" or "AD" anti-pollution protection methods. For any clarification, it is advisable to contact your water supply company and/or your plumber.
- ATTENTION: (IEC 60335-1) The pressure of the hydraulic system supplying the equipment must not exceed 600 kPa (6 bar); if the equipment is equipped with solenoid valve(s) for water supply, the pressure must have a minimum value of 35 kPa (0.35 bar).
- IMPORTANT: The solenoid valve (necessary for automatic water level refilling) must be permanently connected to the water supply network using a rigid pipe system.

ELECTRICAL PREPARATION

- The electrical system to which the mini-pool is to be connected must comply with CEE standards.
- The mini-pool must be connected to a network isolator (magnetothermal switch) with contacts spaced at least 3mm apart and to an RCD (residual current device) with a maximum of 30mA.
- It is necessary that the building's electrical system has an omnipolar disconnection device.
- There must be an efficient grounding system. The mini-pool must be permanently connected to the building's grounding system.
- The installer must use cables of appropriate section, protected with a sheath and/or with pipes or ducts, with characteristics equal to or superior to type H05VV-F. The electrical box is equipped with a PG21 cable gland, and the power terminal block accepts conductors with a section between 2.5 and 10mm².

SAFETY

- For installations on mezzanines, terraces, roofs, or other similar structures, consult a structural engineer.
- The base of the spa must be flat and level to support the weight of the spa evenly; furthermore, the base of the spa must rest completely on the floor; otherwise, damage to the front panels and/or the acrylic shell may occur: such damages are not covered by the warranty. The construction of the support base must take into account the load of the spa, considering the "Weights" table above.
- Prolonged exposure to the sun could damage the material of which the spa shell is made, due to its ability to absorb heat (dark colors in particular). When not in use, do not leave the spa exposed to the sun without adequate protection (thermal cover, gazebo, etc.). Any damage resulting from non-compliance with these warnings is not covered by the warranty.
- Water evaporation from the spa (especially at high temperatures) can generate very high humidity levels: natural or forced ventilation helps maintain personal comfort and reduce damage to the property caused by humidity.
- Ensure that any flooring, furnishings, walls, etc., in areas adjacent to the spa are suitable for such use.
- The spa must be installed so that any amounts of water (due to leaks and/or weather events) are drained away from it. Especially if the spa is installed partially or entirely recessed, it is necessary to check that there are no water stagnations; in this case, it is also necessary to ensure accessibility to the spa from all sides and the removal of the side panels to access the electromechanical parts and the whirlpool jets in case of maintenance and/or faults.
- Check if it is necessary to use lifting devices (cranes, etc.) for the handling and installation of the spa.
- For outdoor installations, it is necessary to take into account the weather conditions characteristic of the installation site (risk of freezing, etc.).
- If there is a risk of freezing, it is necessary to equip the drainage pipes with valves for draining and with an adequate slope towards the relevant manhole.
- The site where the spa will be installed must be prepared to ensure, if necessary, the possible removal and relocation of the spa itself.
- Refer to local regulations and/or authorities as well as professionals in the sector regarding fencing and protective barriers (including various lighting and security systems) to prevent accidental access to the spa by children.
- Place the spa away from glass and/or reflective surfaces to avoid possible damage to the spa panels.