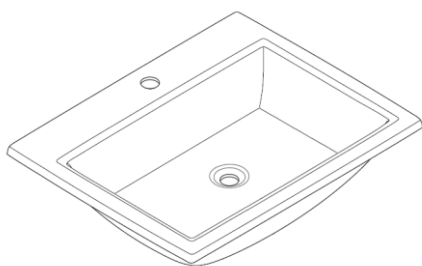


BAGNODESIGN

EXPERTLY CRAFTED BATHROOMS

General Installation Guide



INSET WASH BASIN

also applicable for semi-inset

NOTE: for illustrative purposes only an 550mm wash basin is shown, please follow the same procedure to install the other products.

A member of  SANIPEXGROUP

Please leave these instructions with the customer

IMPORTANT PLEASE READ

Remove all packaging and check the product for missing parts or damage before starting installation.

Any alterations made to this product and fittings may infringe water regulations and invalidate the guarantee.

The Installation must comply with all Local/National Water Supply Authority Regulations/Byelaws and Building and Plumbing Regulations.

We strongly recommend that your product be installed by a reputable qualified trade's person.

General Installation:

To the installer: Please read and follow this instruction carefully, as the guarantee is only valid if the product is installed as directed.

The installation of this Basin requires preferred previous installation of suitably constructed countertop. Please ensure that countertop is suitable for the weight allowance of the basin and its components.

Don't rush, read the instructions first and run through them before you begin. Keep fittings together to avoid loss. Do not over tighten screws or bolts.

If the unit is covered with polyethylene protective film, do not remove until installation is complete to grant maximum protection. However, remove film where any two surfaces will be in permanent contact.

Verify that all dimensions on the plan are the same as the ones of the product.

Please leave this installation manual with the end user once the product has been installed.

Product Aftercare:

We recommend cleaning with a soft damp cloth and mild soap solution.

Do not use cream cleaners or cleaners containing bleach.

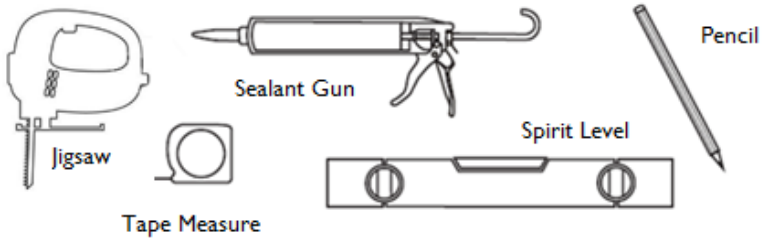
Do not scrub or scour.

Do not use abrasive cleaning agents.

Do not use solvent based cleaners.

This installation guide is for reference only. In case there is a discrepancy between that of the instructions and that of the actual product, the latter should be taken as standard. The rights of modification are reserved.

TOOLS REQUIRED (Not supplied)

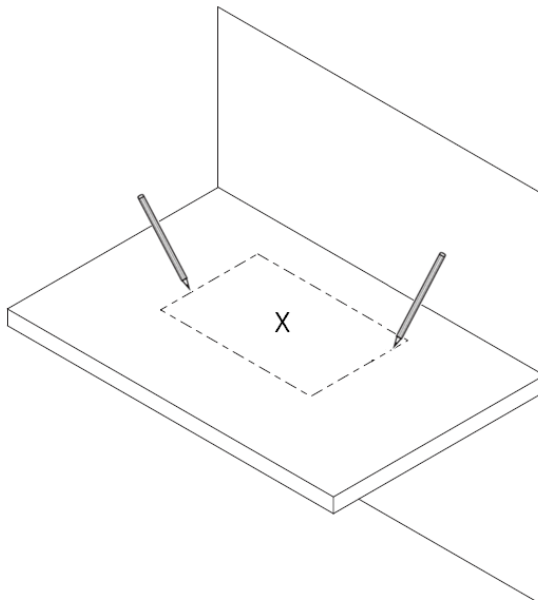


Jigsaw

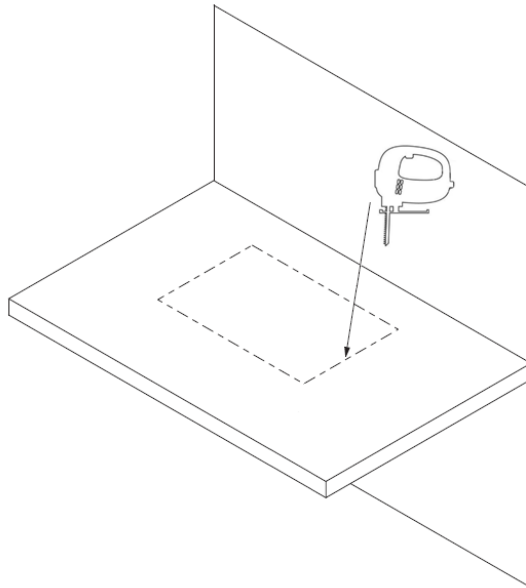
Required when cutting the countertop. For Marble/Stone countertops please use specialized cutting company.

Note: If a Cut-out template is provided please use it as a guide only. Due to the nature of ceramics, dimensions of actual product can vary slightly. Before cutting countertops ensure that basin dimensions exactly match that of the template. BAGNODESIGN is not responsible for incorrect cutting.

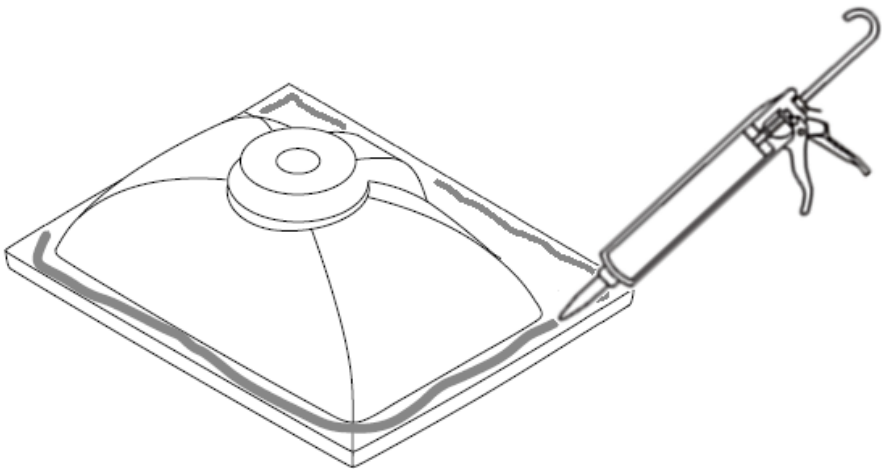
If no template is supplied use the basins dimensions (X)



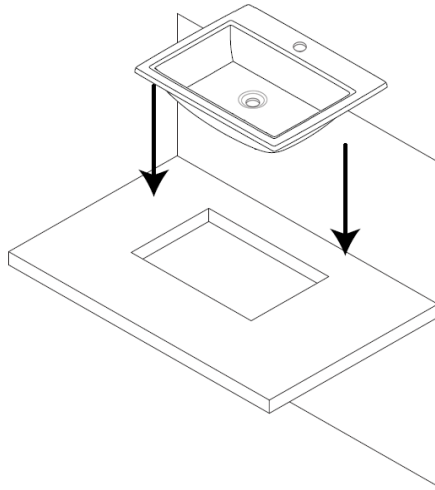
Take the measurements of the basin and mark on the countertop (X), Make sure you have allowed for a decent lip for the basin to rest on.



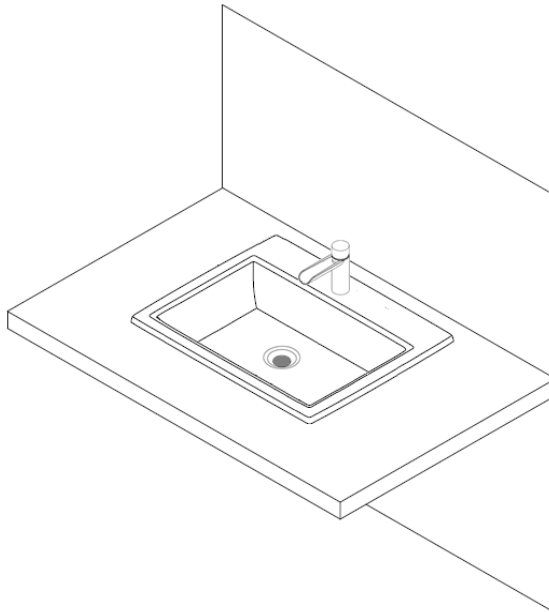
Using a Jig-saw, cut around the mark, after cutting it is advised to seal the bare wood with some PVA (or Similar) sealant.



Apply a decent bead of silicone around the entire perimeter of the basin



Place the wash basin in position, remove any excess silicon and allow the silicon to cure for a few hours.



Install the Basin Mixer, Waste and Trap
If required run a further small bead of silicon around the perimeter base.

INSTALLATION COMPLETE!!!

