

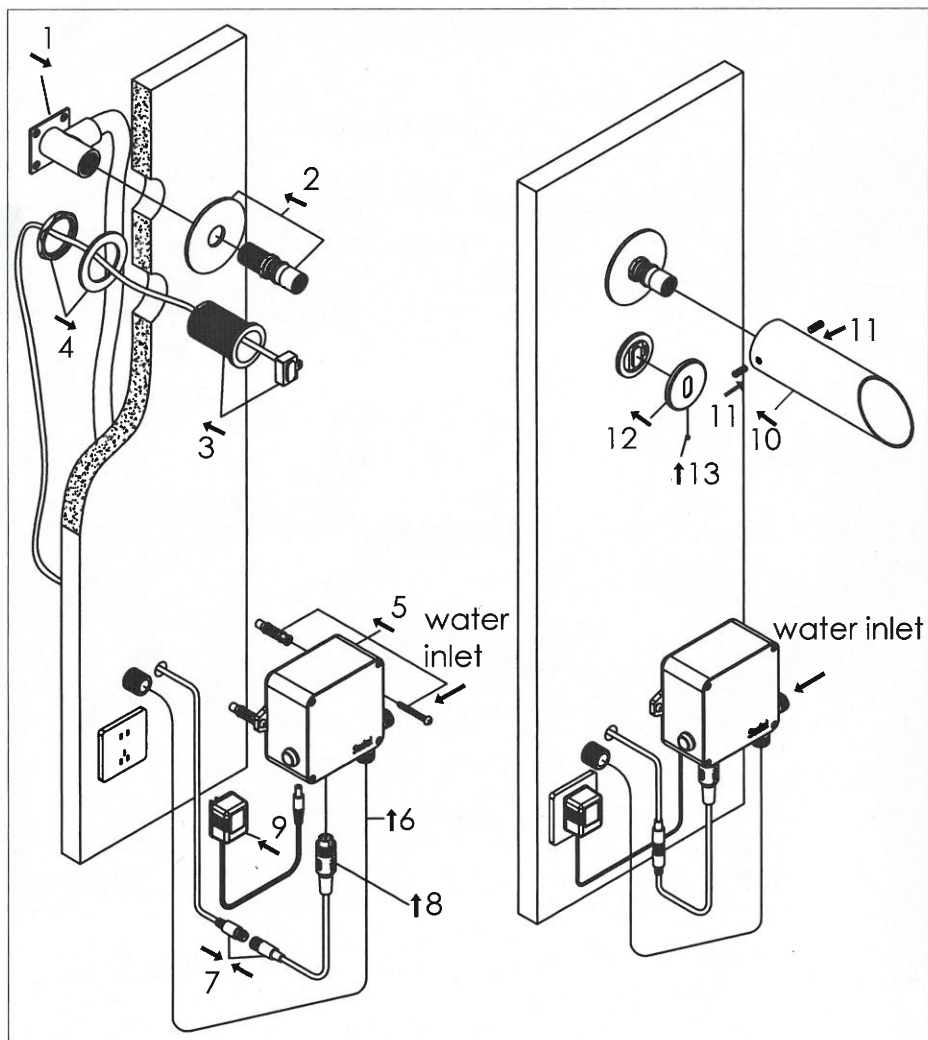
JEE-O

Pure touchless wall basin tap
 electronic controlled wall basin mixer with infrared
 on/off sensor and concealed control box

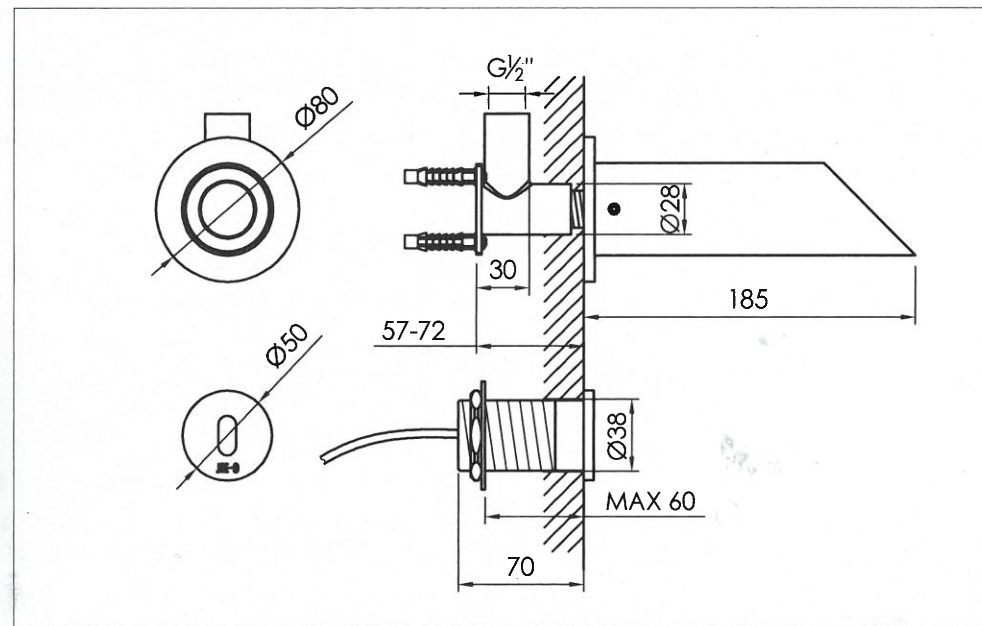
Pure wand sensor kraan
 elektronische wand wastafel kraan, met infrarood
 aan/uit sensor en inbouwbox

300-1530 / 300-1534 / 300-1535

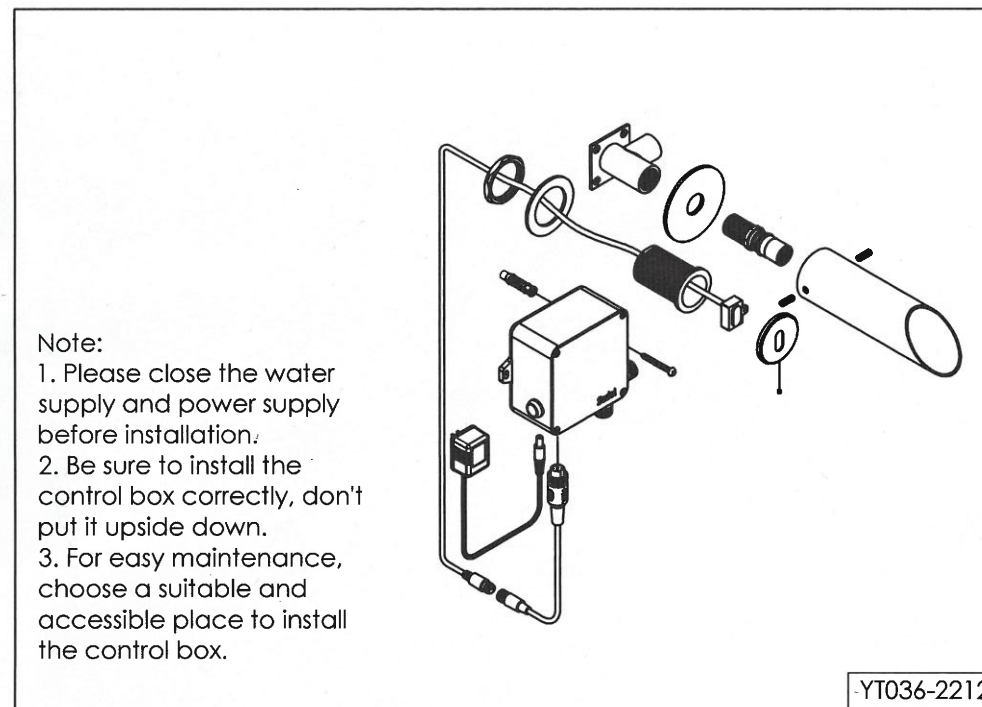
installation



technical diagram



explosion diagram



Note:
 1. Please close the water supply and power supply before installation.
 2. Be sure to install the control box correctly, don't put it upside down.
 3. For easy maintenance, choose a suitable and accessible place to install the control box.

YT036-2212

www.jee-o.com