



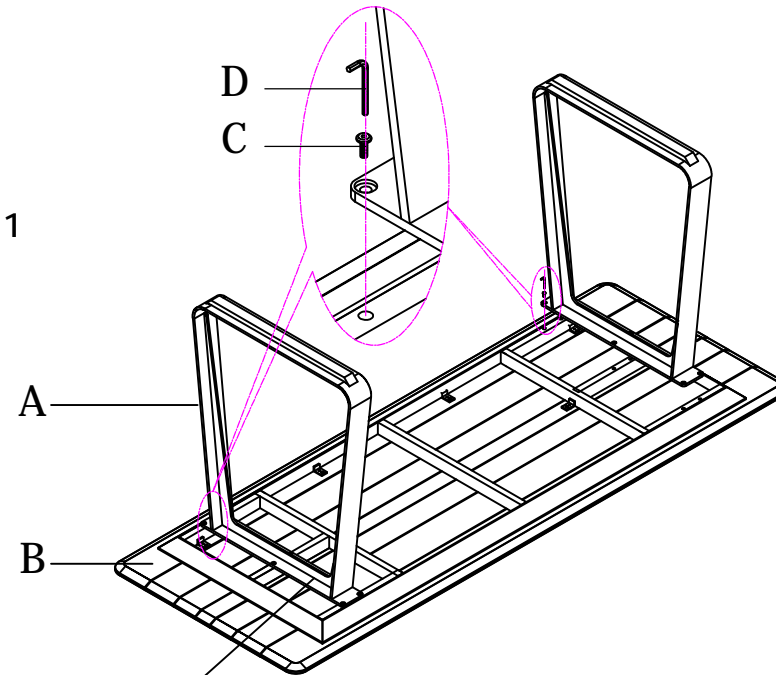


ELKO BAR TBL WITH TEAK TOP 180X80

Parts	Picture	Description	QTY
A		LEG	x2
B		Table TOP	x1
C		Screw M6*20	x12
D		Hex key 5#	x1

Step 1



please note: please put the leg which with welding scar inside when assembly

Step 3

