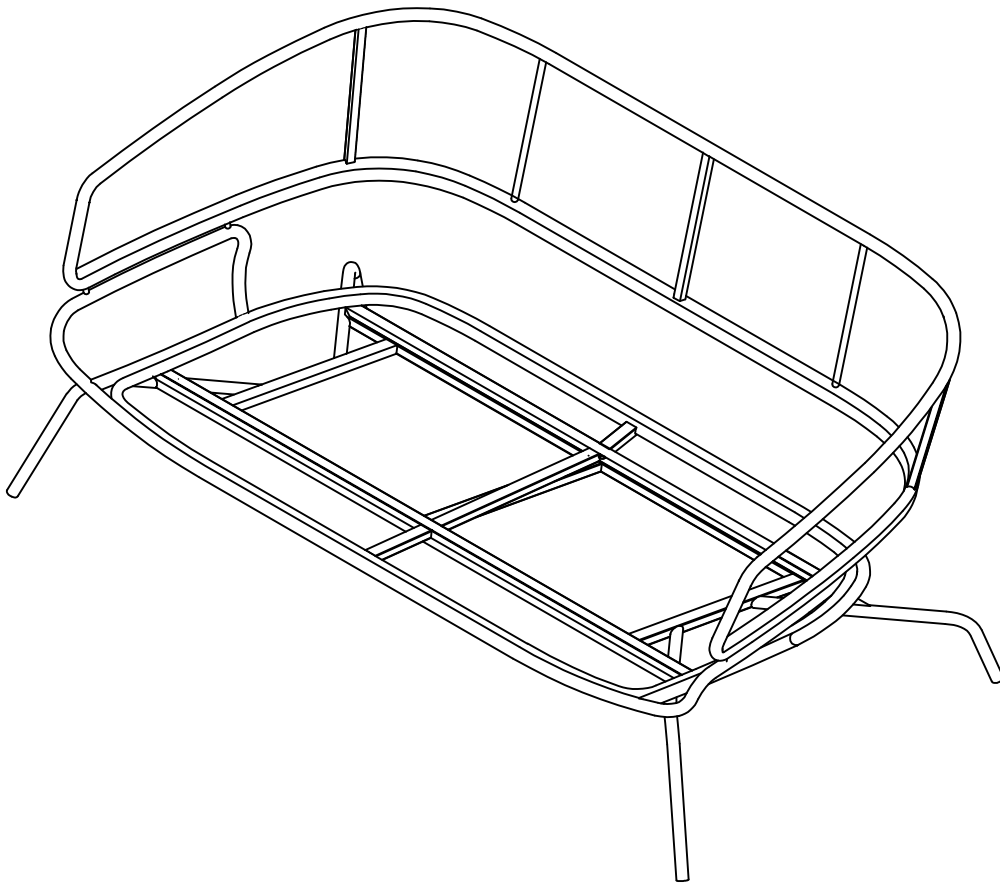
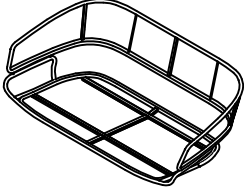
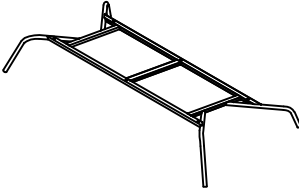


Assembly Instructions

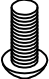





PHIL SOFA 2S

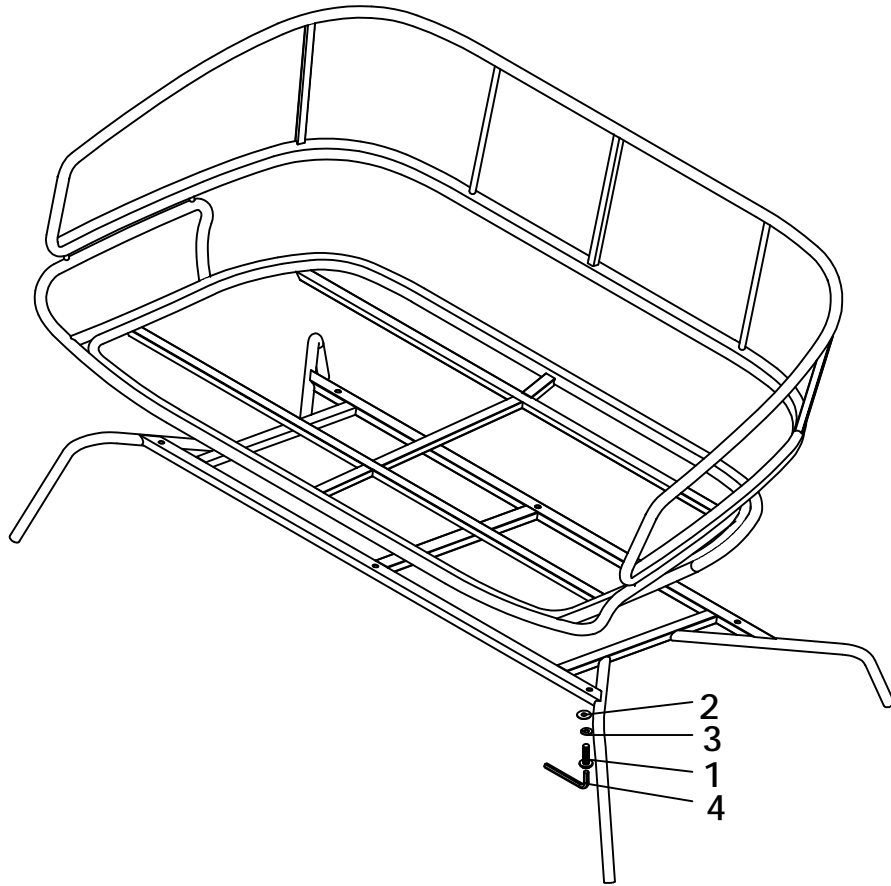
Component list

No	Name	Descripton	#
A	Top		1 x
B	Base		1 x

Hardware list

No	Name	Descripton	#
1	Screw M6*32		6 x
2	Washer		6 x
3	Spring Washer		6 x
4	Allen key		1 x

1



2

