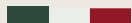




Passione in Cucina



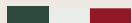
MAGGIORE AN

- EN | USER MANUAL
- NL | GEBRUIKSAANWIJZING
- FR | NOTICE D'EMPLOI
- DE | BENUTZERHANDBUCH
- DK | BRUGANVISNING
- FI | OHJEKIRJASSA
- NO | DRIFTSVEILEDNING
- SE | ANVÄNDARINSTRUKTIONER
- IT | MANUALE D'USO

www.boretti.com



Passione in Cucina



MAGGIORE AN

EN | USER MANUAL

www.boretti.com

Introduction

Congratulations on the purchase of your new barbecue. We are convinced that you, with your passion for barbecuing and the outdoor lifestyle, will transform an average summer evening into a beautiful *buona sera* and your garden into a *giardino*.

Squadra Boretti

Read this manual carefully and keep it safe!

This manual contains specific instructions for your safety, for the assembly, operation and the maintenance of your barbecue. Use the barbecue only as directed in this manual. Common sense and caution during use are an absolute *must!*

Contents

* 1. General safety guidelines.....	6
* 2. Parts list	9
* 3. Assembly drawings.....	11
* 4. Use of your barbecue	18
* 5. Maintenance of your barbecue.....	23
* 6. Environmental guide, Conditions of warranty & Contact info.....	26

Important safety information

Use outdoors only!

Read the instructions before using the appliance!

WARNING: accessible parts may be very hot. Keep young children away!

Do not move the appliance during use!

Turn off the gas supply at the gas cylinder after use!

1. General safety guidelines

- * Before use, *first* carefully read all the information contained in this manual.
- * *Never* let children and pets come in the vicinity of this barbecue.
- * This barbecue may *never* be used by children, people with mental impairments or people who are under the influence of mind expanding substances and/or medication.
- * Always maintain as much distance as possible when lighting and operating this barbecue.
- * Change the gas cylinder far away from any source of ignition.
- * The gasbottle can be placed underneath the barbecue. This does not comply for a table model barbecue.
- * Take care that the gashose does not fold during installation of the gasregulator.
- * The supplied gasregulator should be used. If a new gasregulator is installed, take care that it complies with the EN 16129. The gaspressure must be the same as stated on the ratinglabel on the barbecue.
- * Ensure that the gas valve on the gas bottle is within reach, so you can turn off the gas supply to the barbecue.
- * Extinguish all flames and DO NOT SMOKE while opening the gas valve and lighting the barbecue.
- * This barbecue will get extremely hot, extreme care and attention is required during its operation.
- * If you smell gas, check if all fuel connections are tightened securely *before use*. If the gas smell persists, turn of the gas valve and contact your sales outlet directly.
- * Keep flammable and/or inflammable substances, gasses, liquids and materials away from the barbecue at all times and never let them come into direct contact with the barbecue.

- * Omitting and/or incorrectly following the instructions, precautions, safety guidelines, warnings and dangers that are contained in this manual can lead to fire or explosions, to material damage and may also cause physical injury or death.
- * Exclusively for household use and exclusively intended for the preparation of food.
- * Your barbecue can be used with gas cylinders between 5 kg and 6 kg. The maximum size of the gas cylinder should be: Dia. 300mm, Height: 470 mm. Follow the technical information as stated in the instruction manual and Check with your local gas supplier to have a suitable gas cylinder for your barbecue.
- * Avoid twisting the flexible tube when the appliance is in use. The length of flexible hose shall not exceed 1.5m. In Finland, the length shall not exceed 1.2m. The hose should certified according to applicable EN Standard and comply with local code.

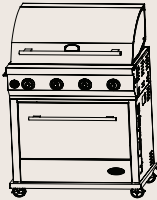
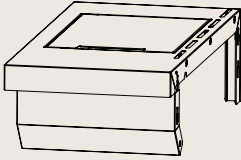
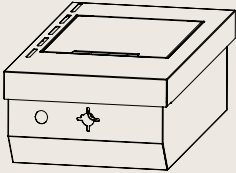
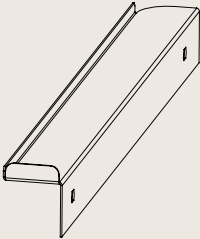
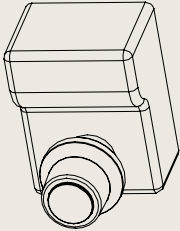

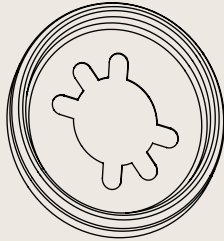
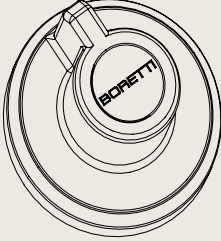


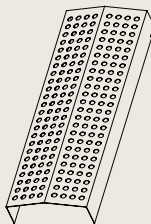

1.1 Assembly

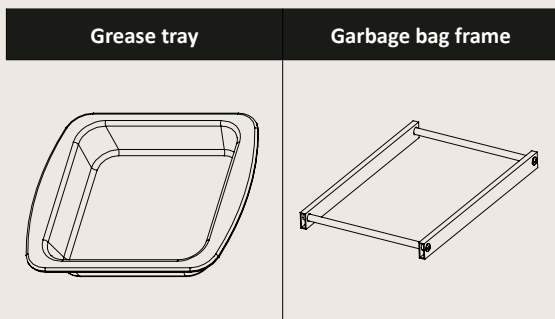
- * Assemble the barbecue according to the assembly drawing as contained in this manual.
- * Incorrect assembly or not following the correct order of assembly, as demonstrated in the drawing, can lead to very serious situations.
- * Always take care and be precise during assembly.
- * All parts *must* be assembled as shown in the assembly drawing. If a part is missing and/or you doubt the correctness of the assembly, immediately contact your sales outlet.
- * *Never* repair or replace parts of this equipment yourself unless this is expressly mentioned in this manual.
- * Never connect a damaged gas hose to the equipment. This can lead to fire.
- * In the event that the equipment is fitted with a plug, this will be an earthed main plug to protect you from electric shocks. The plug must be connected to a suitable, earthed, socket. NEVER remove the metal plates from the plug.
- * DO NOT modify the appliance.

1.2 Place of use

- * Only use the barbecue out of doors (outside) and in a well-ventilated space. Never use the barbecue inside or in any (partly) enclosed space. Toxic fumes may build up and these can cause serious physical injury or death.
- * Never use the barbecue on a flammable or inflammable surface.
- * Only use the barbecue on a hard, straight and stable surface that can take the weight.
- * Keep a distance of at least 3 metres between the barbecue and all flammable and/or inflammable materials (wood, plastic, foliage etc.), when the barbecue is in use.
- * Always keep the barbecue away from petrol and/or other flammable or inflammable liquids, flammable gases, flammable fumes or areas where you suspect these may be present.
- * Never use the barbecue under strong wind conditions.
- * Ensure that the main burner(s) and the infra-red burner at the back are NEVER switched on at the same time. This can lead to the lid of the barbecue warping or buckling.
- * The barbecue becomes extremely hot, never move it during or shortly after use.
- * Most of the Boretti barbecues have wheels which makes them easy to move. Take care when moving the barbecue across uneven terrain; otherwise the wheels may get damaged.
- * Do not use the roasting spit in the event of rain.
- * The size of cooking pans can be used in our barbecue between 130mm and 220mm.

2. Parts list

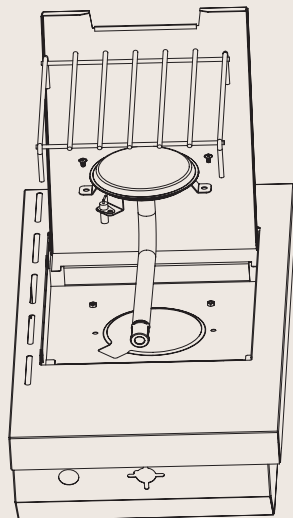
<p>Barbecue</p>	<p>Left side table</p>	<p>Right side burner</p>
		
<p>Garbage bag guide rails</p>	<p>Electronic igniter</p>	<p>Battery</p>
		
<p>Control ring</p>	<p>Control button</p>	<p>Flame tamer I</p>
		
<p>Flame tamer II</p>	<p>Flame tamer III</p>	<p>Warming rack</p>
		



3. Assembly drawings

Step 1

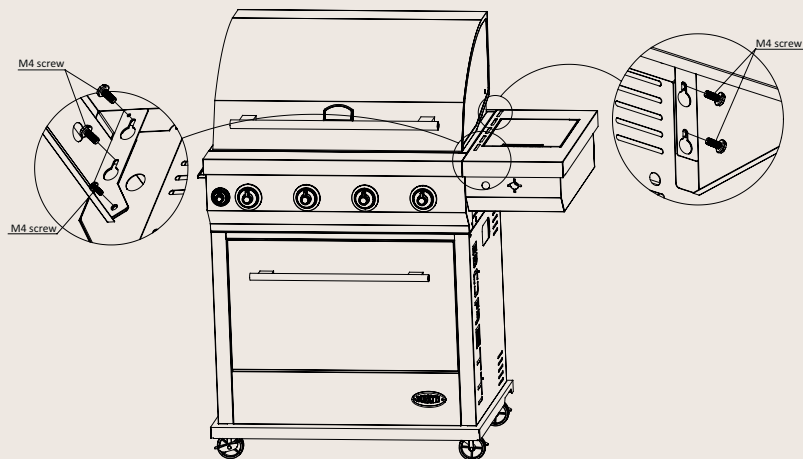
Remove the pan stand and loosen the M4 nut and screw to unfasten the side burner.



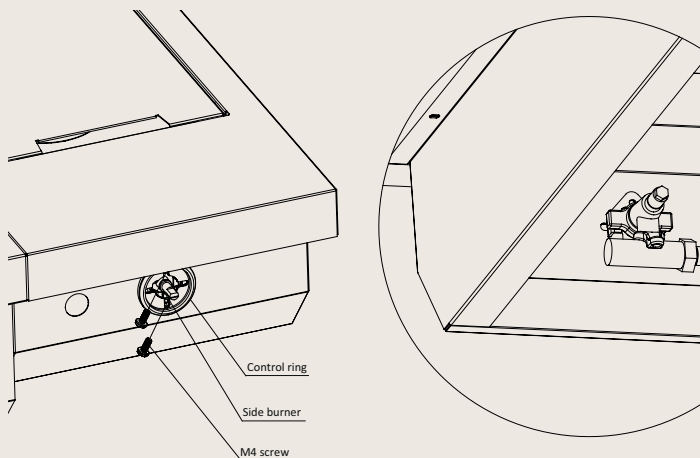
Step 2 - a) Loosen the 4x M6 and 1x M4 screws on the right side of the barbecue by about 6 mm.

b) Slide the cut-outs of the side burner over the screws that you have loosened.

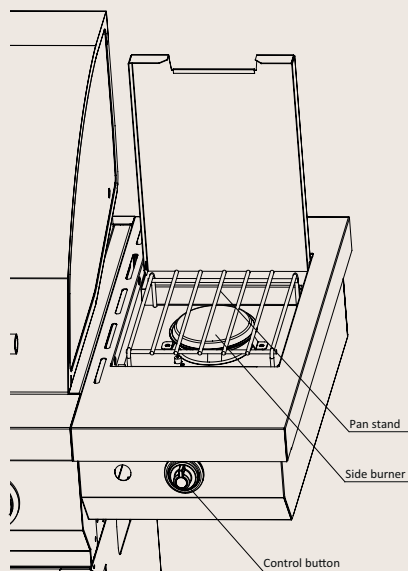
c) Tighten the screws again in order to secure the side burner.



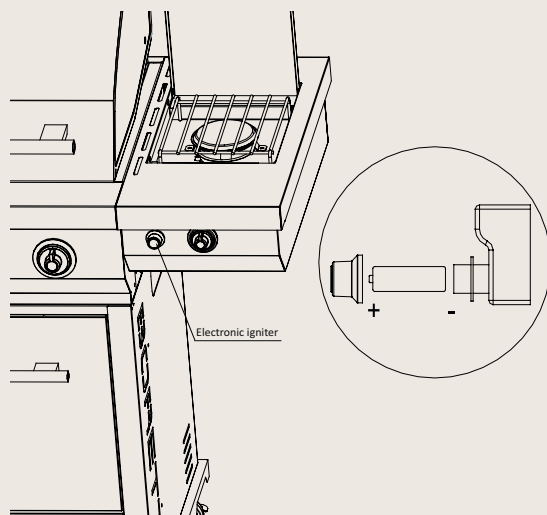
- Step 3** - a) Place the control ring provided onto the side burner and tighten with the M4 screw supplied.
- b) Place the second M4 screw and tighten it, ensuring that the 'H' is pointing to the ignition opening (left hand side).



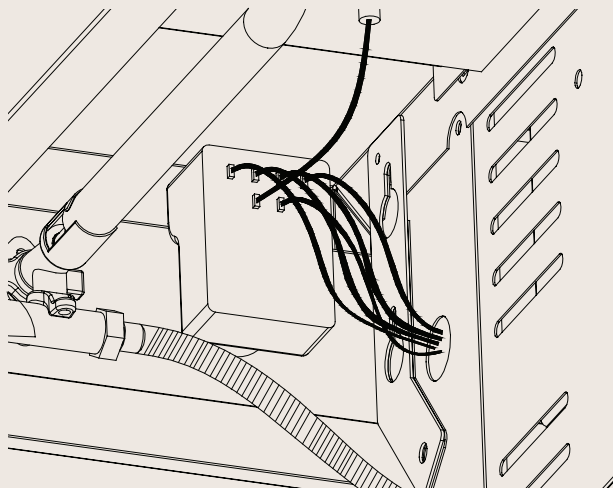
- Step 4** - a) Install the side burner with the 2x M4 screw. Return the pan stand into position.
- b) Install the control button and ensure that the flat side of the button corresponds with the flat side of the gas valve.



- Step 5** - a) Slide the screw thread part of the igniter through the opening at the front of the side burner and install the lock nut.
- b) Place the battery in the holder with the + side facing forwards.
- c) Screw the top on the igniter.

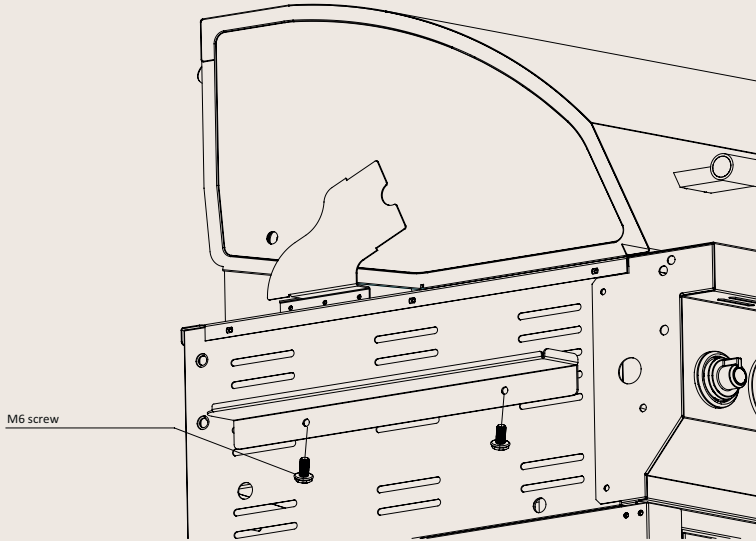


- Step 6** - a) Connect the end of the side burner ignition cable with the electronic igniter.
- b) Connect the five wires that protrude from the side of the BBQ with the electronic igniter.



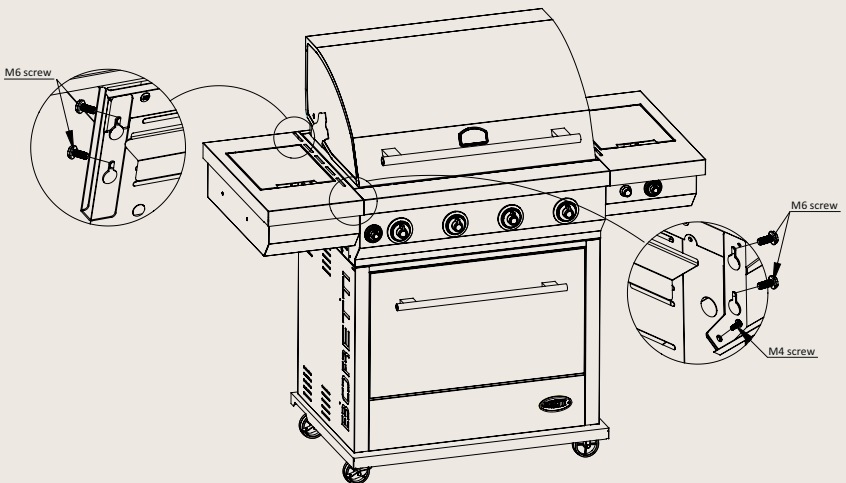
Step 7

Fix the refuse bag guide rail to the left of the BBQ and fasten it with 2x M6x10 screws.



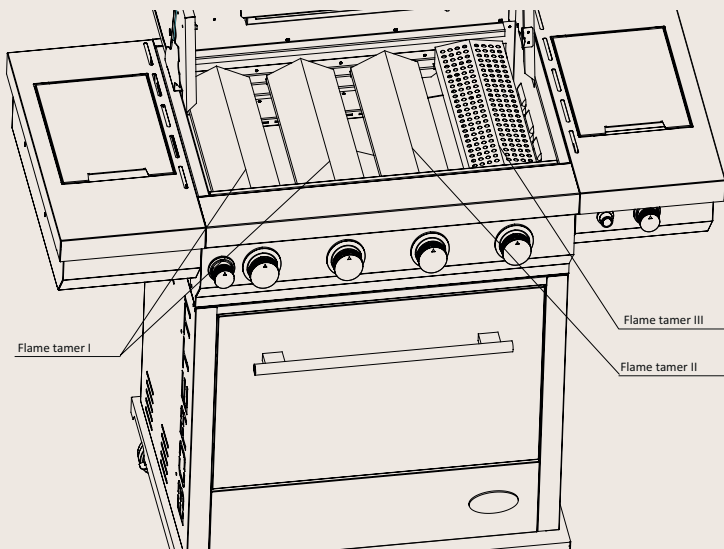
Step 8 - a) Loosen the 4 x M6 screws on the left of the barbecue by about 6 mm.
Loosen the 1 x M4 screw completely.

- b) Slide the side table over the 4 loosened M6 screws.
- c) Tighten all five screws again to securely fasten the side table.

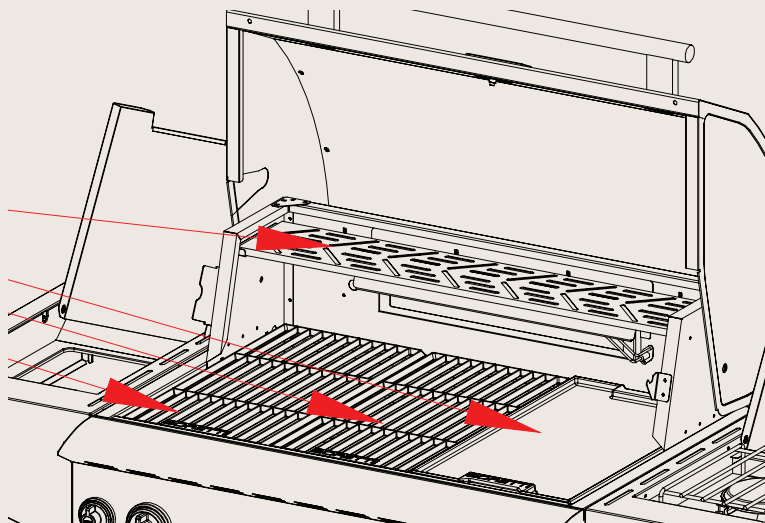


Step 9

Place the flame tamers in the recesses with the triangular side facing upwards. Ensure that the flame tamer with the long side is placed next to the infrared burner.

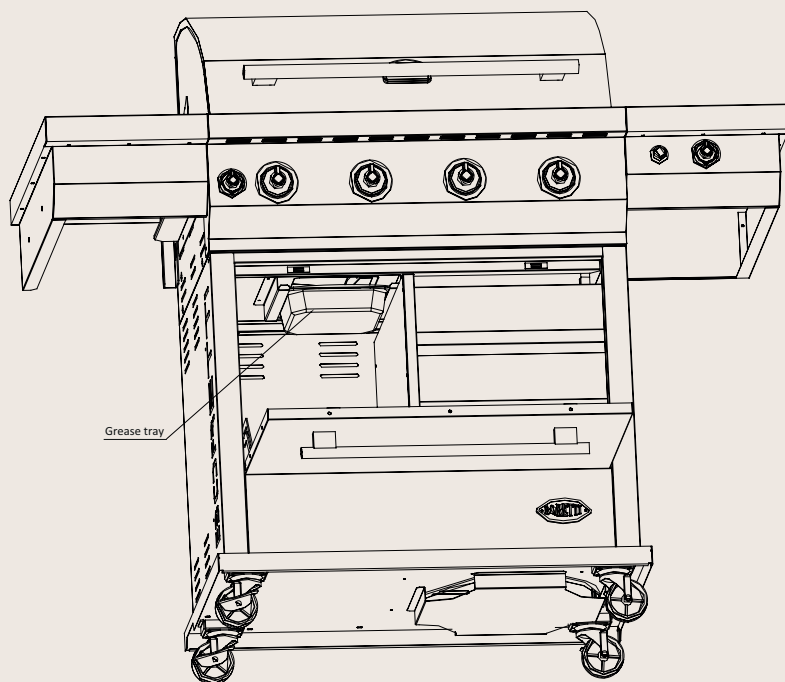


- Step 10** - a) Put the racks on the ledges in the barbecue.
b) Position the warming rack.



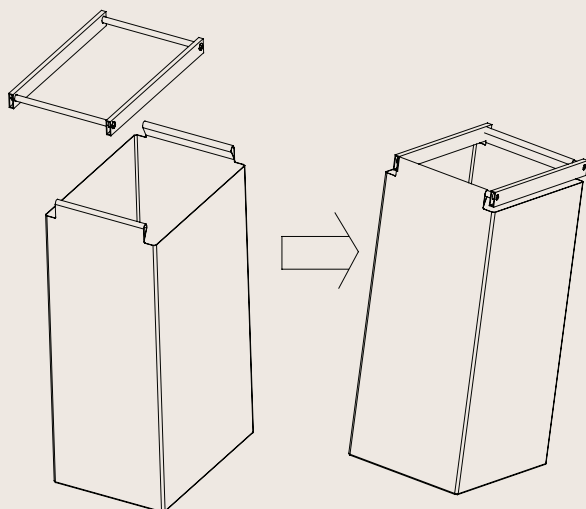
Step 11

Slide the grease tray in the guide rails under the burners.

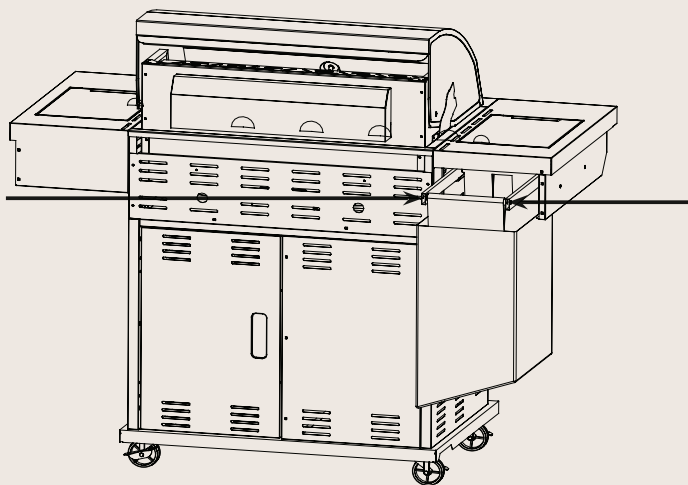


Step 12

Hang the refuse bag on its frame.

**Step 13**

Slide the frame with the refuse bag in the guide rails.



4. Use of your barbecue

4.1 General information

Even though all gas connections on the barbecue are tested for leakages *before* transport, a complete test must be carried out at the assembly site. During transport or assembly, parts of the barbecue may have been moved. It is also possible that the gas pressure on the equipment is too high. Regularly inspect the entire system for leaks and check the system immediately in the event that you smell gas.



4.2 Gas leak test

Always carry out a gas leak test before use of the barbecue and when the barbecue has not been used for some time.

- * Extinguish any open fires (DO NOT SMOKE when testing for leaks).
- * Never carry out this gas leak test near open flames.
- * Make a soapy solution made up from equal parts of water and liquid soap or gentle washingup liquid
- * Follow the steps below:
 1. Turn the control knobs of the burners to off.
 2. Remove the battery from the electronic ignition.
 3. Open the gas bottle.
 4. Apply the soapy solution to all connections of the gas supply. If no soap bubbles are formed, there is no gas leak. If soap bubbles start to form on a connection, this indicates a leak. In the event that you detect a leak, turn the gas supply off immediately, tighten the leaking connections firmly, open the gas bottle again and repeat steps 1 through to 4.
 5. Turn the gas supply off.
 6. Turn the control knobs of the burners on for 10 seconds to let the pressure escape from the hose and then turn the control knobs to off again.
 7. Remove the soapy solution from the connections of the equipment with cold water and rub dry with a cloth. Check all gas supply connections before every use and do the same when the gas bottle is being connected to the gas pressure regulator.

It is recommended that you check the gas hose for leaks every year, even if the gas bottle has never been disconnected from the equipment.

Note:

Ensure that you test all loose connections (including the side burner) and, if required, tighten them again when you are testing the equipment for leaks. Even a small leak in the system can result in a dangerous situation.

Note:

These days, most gas bottles are fitted with a mechanism that detects leaks inside the container. When the gas is being released too quickly, this mechanism cuts off the gas supply. A leak can severely restrict the gas supply which will make it difficult to light the barbecue.

Note:

If you are unable to close off a gas leak, then turn off the gas supply and contact your sales outlet. Even a small leak can cause a fire.

Note:

If, after several attempts, you are unable to light the barbecue, then contact your sales outlet.

Note:

Ensure that the control knobs are in the "OFF" position when you are not using the equipment.

4.3 Lighting the barbecue

- * Check the general conditions of the burners (see 0). If you are in doubt about the condition of the burners, then contact your sales outlet.
- * Ensure that the barbecue is placed on a level surface.
- * **This appliance must be kept away from flammable materials during use.**
Keep the cooking area clean and free from petrol and/or other flammable and/or inflammable substances, flammable gasses or flammable fumes.
- * Ensure that nothing is blocking the burners and ventilation.
- * Do not use aluminium foil in the enamel burner tray or around the flame distributors.
- * Ensure there is sufficient ventilation for the gas bottle.

Warning:

- * Do not light the barbecue if you can smell gas!
- * Check the gas hose for cracks or wear and tear (see: GAS LEAK TEST).
- * Keep your face and body as far away from the barbecue as possible when lighting it.

4.4 Lighting the burners with an electronic igniter

- * Ensure that all knobs are in the "OFF" position.
- * Always open the lid before you light the barbecue.
- * Open the gas supply.

Note:

When opening the gas bottle, turn the valve SLOWLY two (2) whole turns to get the right gas supply.

- * Press and turn one of the control knobs to the "HIGH" setting. You will hear a crackling noise. It may be necessary to keep the igniter depressed for about 10 seconds.

Note:

if the burner does not light after 10 seconds, turn the knob back to the "OFF" position and wait 1 minute before you try again.

- * Repeat the above steps also for the other burners.

Note:

On some models, as well as the control knob, a separate ignition knob also needs to be pressed.

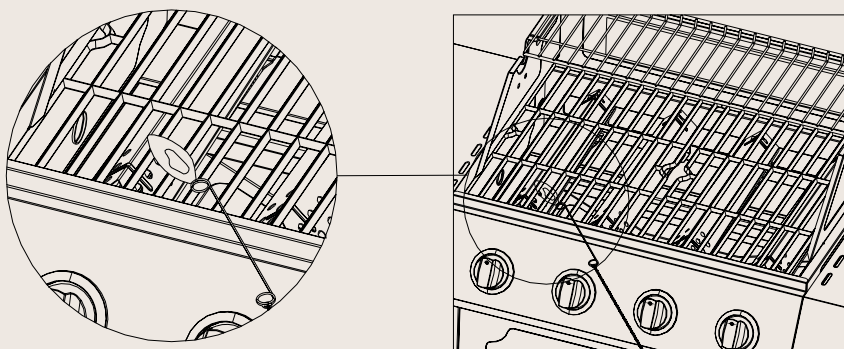
4.5 Lighting the burners with a match extender (if provided)

If the electronic igniter does not manage to light the burners, it is also possible to light the burners with the aid of a match.

- * Put the match in the extension piece, if the barbecue is supplied with a match extender.
- * Keep your face as far away as possible from the barbecue and point the extended match through the openings in the grille toward the burner.
- * Place the match close to the burner openings and turn the control knob to the "HIGH" position.

Note:

If, after several attempts, you are still not able to light the barbecue, please contact your sales outlet.



4.6 Lighting the side burner with the electronic igniter

- * Press and turn the control knob to the "HIGH" position. You will hear a crackling noise.
- * It may be necessary to keep the igniter depressed for about 10 seconds.
- * If the burner does not light after 10 seconds, turn the knob back to the "OFF" position and wait 1 minute before trying again.

4.7 Lighting the side burner with matches

If the electronic igniter does not manage to light the burner, it is also possible to light the burner with the aid of a match.

- * Put the match in the extension piece, if the barbecue is supplied with a match extender.
- * Keep your face as far away as possible from the barbecue and point the (extended) match at the burner openings.
- * Press and turn the control knob to the "HIGH" position.

Note:

If, after several attempts, you are still not able to light the barbecue, please contact your sales outlet.

4.8 Storage

- * After using your barbecue, close the gas supply and let the equipment cool down.
- * Remove the gas bottle.
- * Store the barbecue in a well-ventilated space and keep children away from the equipment.
- * Do not place any easily flammable materials under the barbecue.

- * If you are storing the barbecue outside, then use a cover to protect your barbecue from the elements. In the event of outside storage, remove the cover regularly to prevent excessive condensation from forming (which may lead to oxidation) on the metal components.
- * Let the barbecue cool down before placing the cover over it or trying to move the equipment.

4.9 Use

- * The barbecue becomes extremely hot, use heat resistant gloves when using the barbecue. Do not touch the barbecue without the correct protection.
- * Use suitable barbecue utensils to prepare food on the barbecue.

5. Maintenance of your barbecue

Important:

NEVER leave the barbecue outside without covering it. Rainwater could collect in the barbecue, the frame or the grease receptacle. If the grease receptacle has not been cleaned after use and the barbecue is uncovered, the tray can fill with water, which will cause water and grease to pour into the frame. We recommend that you clean the grease receptacle after every use.

Important:

Parts sealed by the manufacturer or his agent shall not be manipulated by the user; No modifications should be made to any part of this barbecue.

5.1 Cleaning

Do not use abrasive cleaning agents on the barbecue. These can scratch and damage the surface. Use lukewarm water in combination with a soft sponge or cloth to clean the metal parts of the barbecue body.

- * Warm the barbecue up by lighting the main burners on their highest setting and shutting the lid. **Do not turn on the infra-red burner(s)!**
- * Let the barbecue warm up for about 10 minutes to 250 degrees (Celsius).
- * Turn the burners off and let the machine cool down before you start cleaning.
- * Clean the racks and baking trays with a suitable cleaning brush (Available from the Boretti Web shop).
- * Remove the baking racks and the baking tray.
- * Brush charred (food) remains towards the grease receptacle.
- * Remove the grease receptacle and clean this with warm water and detergent.

- * Use warm water and detergent to clean the outside of the barbecue.
- * Dry the barbecue with a soft, clean cloth.

5.2 Grease receptacle

The grease receptacle must be cleaned regularly to avoid a build-up of dirt and remnants.

Note:

Ensure that the grease receptacle has cooled down before you clean it.

5.3 Grill racks

The grill racks can be cleaned immediately after cooking, once the barbecue has been switched off, with the use of an appropriate cleaning brush. Cleaning the grill racks by using water and a degreaser heightens the chance of oxidation/rust. You can counteract this by coating the grill racks with some olive oil after cleaning.

5.4 Stainless-steel

After the first time of use, parts of the barbecue may become discoloured by the intense heat that comes from the burners. This is normal.

Purchase a cleaning product for stainless steel and use this when brushing the metal down. It may be possible for grease spots to fall on the stainless-steel parts and get burnt on, which may cause some parts to look worn. Use a cleaning product that is not abrasive together with a cleaning product for stainless steel, to remove the grease.

5.5 Changing the battery on the ignition (if present)

Turn the knob on the ignition loose and remove the AA battery. Put a new AA battery in place.

5.6 Enamel parts

Some of the parts on the barbecue have an enamel coating. Enamel is a glass-based product and is very durable and resistant to wear. However, it is not resistant to shocks and knocks, which may cause hairline cracks. The hairline cracks can lead to small pieces of enamel breaking off, which leads to rust forming. The performance of your barbecue will not be affected by the broken off pieces or hairline cracks. No claims can be made regarding damages to the enamel in the cooking area after use.

5.7 Ventilation

The burners can only function properly if the heat they produce can escape as well. If this is not possible, then the burners may not get enough oxygen, which may cause backfiring, especially if the burners are set to "HIGH". If this happens regularly, it may cause the burners to develop cracks. For this reason, there are ventilation openings around the barbecue. These allow the hot air to escape. Always ensure that there is sufficient space around the cooking area (the racks will allow sufficient space). Never cover the ventilation openings with aluminium foil or other materials that can impede the airflow. NEVER allow the cooking surface to be completely covered, for instance by a large pan or by completely filling it with grill trays.

5.8 Replacing the gas hose

The gas hose should be replaced every two years. Rubber gas hoses can dry out which may result in gas leaks.

5.9 Burners

It is normal for rust (oxidation) to form around the burners. Food remnants must be removed regularly. This can be done by means of a barbecue cleaning brush. Burners must periodically be removed for inspection and cleaning, in particular after a period of non-use/storage. The burners must be checked for their general condition and to ensure that the openings are not blocked. The burners can be cleaned with the use of a brush. When removing the burners, make sure that you do not damage the gas valve and the ignition electrode.

An opening has been placed intentionally in the first part of the burner to ensure that enough oxygen can be supplied to form a flammable mixture. This means you will see a small opening, just where the gas valve connects to the burner. No gas will leak from this.

5.10 Spiders and insects

Spiders and insects can make their nest inside the burners of the barbecue, which may cause gas to flow from the front of the burner. This is a dangerous situation that can cause a fire behind the operation panel. This will damage the barbecue, which will then no longer be safe to use. Therefore, we recommend that you check the barbecue at least once a year for spiders, insects and nests (particularly after long storage periods). You can do this by dismantling the burner tubes and blowing through them or brushing them clean.

6. Environmental guide, Conditions of warranty & Contact info



If, for whatever reason, you want to dispose of your gas barbecue, please take the following guidelines into account:

- * Deliver the barbecue to the authorised local company for the collection of surplus household equipment. Contact your local council to find out where these collection points are located.
- * This barbecue features the mark that complies with the European guidelines 2002/96EG relating to disposal of equipment. This guideline decides the standard for the collection and recycling of disposed equipment which apply to the whole European Union territory.

For barbecue accessories, warranty, service conditions and other questions we refer you to

www.boretti.com

You can also send questions and suggestions to

info@boretti.com

Boretti BV
Abberdaan 114
1046 AA Amsterdam

Appliance name: Gas grill

Model number: Maggiore

Category: I3+, I3B/P(30)

Q.: Total 121.6 kW (1572 g/h)

Injector size Main burners 11.1kW IR Back 3.7kW Side burner 3.6kW IR Bottom 3.2kW
Main burners 0.93 IR Back 0.93 Side burner 0.92 IR Bottom 0.85



Country	Category	Gas type	Pressure (mbar)	WARNING
BE	I3+	But	28-30	
	I3+	Propan	37	Il faudra utiliser un détendeur approprié.
BG	I3B/P(30)	бутан	29	
	I3B/P(30)	пропан	29	
CY	I3+	βουτάνιο	28-30	
	I3+	προπάνιο	37	Απαιτείται άλλος ρυθμιστής πίεσης αερίου.
	I3B/P(30)	βουτάνιο	29	
	I3B/P(30)	προπάνιο	29	
CZ	I3+	Butan	28-30	
	I3+	Propan	37	Vyžaduje se jiný regulátor tlaku plynu.
	I3B/P(30)	Butan	29	
DK	I3B/P(30)	Propan	29	
	I3B/P(30)	Propan	29	
	I3B/P(30)	Butaani	29	
EE	I3B/P(30)	Propaani	29	
	I3+	Butano	28-30	
ES	I3+	Propano	37	Se necesita otro regulador de presión de gas.
	I3B/P(30)	Butaani	29	
FI	I3B/P(30)	Propaani	29	
	I3B/P(30)	Propaani	29	
FR	I3+	Butane	28-30	
	I3+	Propane	37	Il faudra utiliser un détendeur approprié.
GB	I3+	Butane	28-30	
	I3+	Propane	37	Other gas pressure regulator required.
GR	I3+	βουτάνιο	28-30	
	I3+	προπάνιο	37	Απαιτείται άλλος ρυθμιστής πίεσης αερίου.
HR	I3B/P(30)	Butan	29	
	I3B/P(30)	Propan	29	
	I3B/P(30)	Butángáz	29	
HU	I3B/P(30)	Propán	29	
	I3+	Butane	28-30	
IE	I3+	Propane	37	Other gas pressure regulator required.
	I3B/P(30)	Bután	29	
IS	I3B/P(30)	Própan	29	
	I3B/P(30)	Própan	29	
IT	I3+	Butano	28-30	
	I3+	Propano	37	È necessario un altro regolatore della pressione del gas.
	I3B/P(30)	Butano	29	
	I3B/P(30)	Propano	29	
LT	I3+	Butanas	28-30	
	I3+	Propano	37	Būtinias kitas duju slėgio regulatorius.
	I3B/P(30)	Butanas	29	
LV	I3B/P(30)	Propano	29	
	I3B/P(30)	Propāns	29	
	I3B/P(30)	Propāns	29	
MT	I3B/P(30)	Butan	29	
	I3B/P(30)	Propan	29	
NL	I3B/P(30)	Butaan	29	
	I3B/P(30)	Propaan	29	
NO	I3B/P(30)	Butan	29	
	I3B/P(30)	Propan	29	
PT	I3+	Butano	28-30	
	I3+	Propano	37	Outro regulador de pressão de gás necessário.
RO	I3B/P(30)	Butan	29	
	I3B/P(30)	Propan	29	
SE	I3B/P(30)	Butan	29	
	I3B/P(30)	Propan	29	
SI	I3+	Butan	28-30	
	I3+	Propan	37	Zahtevan je drug regulator za tlak plina.
	I3B/P(30)	Butan	29	
TR	I3B/P(30)	Propan	29	
	I3B/P(30)	Butan	29	
	I3B/P(30)	Propan	29	

Boretti BV

Abberdaan 114 | 1046 AA Amsterdam | The Netherlands

www.boretti.com

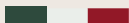
CE 2531/22

PIN: 2531CU-0105

Made in PRC



Passione in Cucina



MAGGIORE AN

NL | GEBRUIKSAANWIJZING

www.boretti.com

Voorwoord

Gefeliciteerd met de aankoop van uw nieuwe barbecue. Wij zijn ervan overtuigd dat u, met uw passie voor barbecueën en het buitenleven, een alledaagse zomeravond omtovert in een prachtige *buona sera* en uw tuin in een *giardino*.

Squadra Boretti

Lees en bewaar deze handleiding zorgvuldig!

Deze handleiding bevat specifieke instructies voor uw veiligheid, voor het monteren, de bediening en het onderhoud van uw barbecue. Gebruik de barbecue uitsluitend zoals aangegeven in deze handleiding. Gezond verstand en voorzichtigheid bij het gebruik zijn een absolute *must!*

Inhoudsopgave

* 1. Algemene Veiligheidsvoorschriften	30
* 2. Onderdelen	33
* 3. Montagetekeningen	35
* 4. Gebruik van uw barbecue	42
* 5. Onderhoud van uw barbecue	47
* 6. Milieuriichtlijn, Garantievoorwaarden & Contactinfo	50

Belangrijke veiligheidsinformatie

Alleen buitenshuis gebruiken!

Lees de gebruiksaanwijzingen voordat u het apparaat gaat gebruiken!

WAARSCHUWING: toegankelijke delen kunnen zeer heet zijn. Houd kleine kinderen op afstand!

Verplaats het apparaat niet tijdens gebruik!

Draai de gastoevoer dicht op de gascilinder na gebruik!

1. Algemene Veiligheidsvoorschriften

- * Lees voor gebruik éérst alle in deze handleiding opgenomen informatie goed door.
- * Laat kinderen en huisdieren nooit in de buurt van deze barbecue.
- * Deze barbecue mag nooit gebruikt worden door kinderen, mensen met een verstandelijke beperking of mensen die onder invloed zijn van geestverruimende middelen en/of medicatie.
- * Houd altijd zoveel mogelijk afstand tijdens het aansteken en het gebruik van deze barbecue.
- * De meegeleverde gasdrukregelaar moet gebruikt worden. Als de gasdrukregelaar vervangen wordt, dan moet deze voldoen aan de EN 16129 norm. De gasdrukregelaar moet qua gasdruk overeenkomen met de gasdruk die vermeld staat op het typeplaatje.
- * Let op dat de gas slang niet knikt tijdens montage (van de gasdrukregelaar).
- * Zorg ervoor dat de gaskraan van de gasfles bereikbaar is, zodat u de gastoevoer naar de barbecue kunt afsluiten.
- * Verwissel de gasfles op een plek waar zich geen ontstekingsbronnen bevinden.
- * De gasfles kan onder de barbecue geplaatst worden. Dit is niet van toepassing bij een tafelmodel barbecue.
- * Doof alle vlammen en **ROOK NIET** tijdens het opendraaien van de gaskraan en het aansteken van de barbecue.
- * Deze barbecue wordt erg heet, uiterste zorgvuldigheid en oplettendheid is geboden bij het gebruik ervan.
- * Als u gas ruikt, ga dan vóór gebruik na of alle gasaansluitingen goed vast zitten. Als de gaslucht nog steeds niet weg is, draai dan de gaskraan dicht en neem direct contact op met uw verkooppunt.
- * Houd brandbare en/of ontvlambare stoffen, gassen, vloeistoffen en materialen altijd uit de buurt van de barbecue en laat deze nooit in direct contact komen met de barbecue.

- * Het nalaten en/of het niet correct opvolgen van de in deze handleiding opgenomen instructies, voorzorgsmaatregelen, veiligheidsvoorschriften en waarschuwingen kan leiden tot brand of ontploffing, tot materiële schade en kan uiteindelijk zelfs ernstig lichamelijk letsel of overlijden tot gevolg hebben.
- * De barbecue is voor huishoudelijk gebruik en uitsluitend bedoeld voor het bereiden van eten.
- * Uw barbecue kan gebruikt worden met gascilinders van tussen 5 kg en 6 kg. De maximale omvang van de gascilinder is: Diameter 300 mm, Hoogte: 470 mm. Volg de technische informatie in de gebruiksaanwijzing en ga bij uw plaatselijke gasleverancier langs voor een geschikte gascilinder.
- * Probeer de flexibele slang niet te draaien wanneer het apparaat in gebruik is. De flexibele slang mag niet langer zijn dan 1,5 m. In Finland mag de slang niet langer zijn dan 1,2 m. De slang moet gekeurd zijn op basis van de geldende Europese norm (EN) en voldoen aan plaatselijke voorschriften.

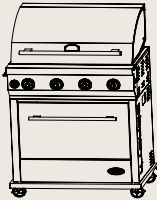
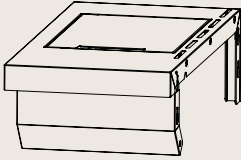
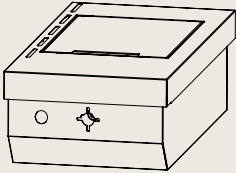
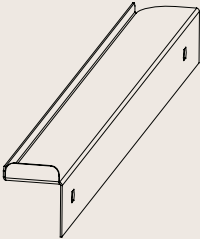
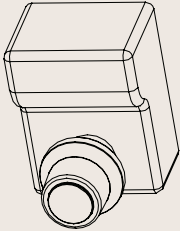

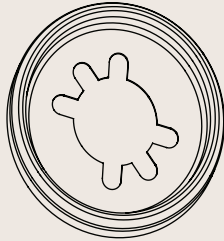
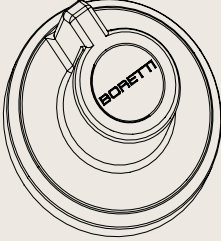


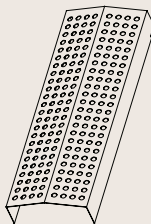

1.1 Montage

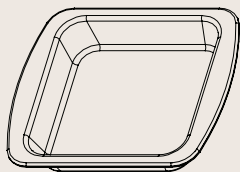
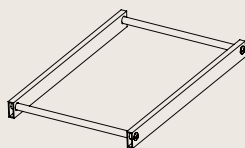
- * Zet de barbecue in elkaar zoals aangegeven op de montagetekening in deze handleiding.
- * Verkeerd in elkaar zetten van de barbecue of het niet volgen van de juiste montagevolgorde, zoals aangegeven op de tekening, kan zeer ernstige situaties tot gevolg hebben.
- * Wees altijd voorzichtig en zorgvuldig bij het in elkaar zetten van de barbecue.
- * Alle onderdelen moeten gemonteerd worden zoals aangegeven op de montagetekening. Als er een onderdeel ontbreekt en/of u twijfelt aan de juistheid van de montage, neem dan onmiddellijk contact op met de winkel waar u de barbecue heeft gekocht.
- * Ga nooit zelf onderdelen van deze barbecue repareren of vervangen, tenzij het uitdrukkelijk beschreven wordt in deze handleiding.
- * Sluit nooit een beschadigde gas slang aan op de barbecue. Dit zou brand kunnen veroorzaken.
- * Als de barbecue met een stekker is uitgerust, dan zal dit een gearde stekker zijn die u beschermt tegen elektrische schokken. Steek deze stekker in een geschikt gearde stopcontact.
- * Verwijder NOOIT de metalen plaatjes van de stekker.
- * Breng GEEN aanpassingen aan op het apparaat.

1.2 Plaats van gebruik

- * Gebruik de barbecue uitsluitend buitenshuis (buiten) en in een goed geventileerde omgeving. Gebruik de barbecue nooit binnenshuis of in welke (deels) afgesloten ruimte dan ook. Giftige dampen kunnen zich ophopen en kunnen zeer ernstig lichamelijk letsel veroorzaken of hebben de dood tot gevolg.
- * Gebruik de barbecue nooit op een brandbare en/of ontvlambare ondergrond.
- * Gebruik de barbecue alleen op een harde, rechte en stabiele ondergrond die het gewicht kan dragen.
- * Houd minimaal 3 meter afstand tussen de barbecue en alle brandbare en/of ontvlambare materialen (hout, plastic, beplanting e.a.), als de barbecue in gebruik is.
- * Houd de barbecue altijd uit de buurt van benzine en/of andere brandbare of ontvlambare vloeistoffen, brandbare gassen, brandbare dampen of gebieden waar het vermoeden bestaat dat deze aanwezig zijn.
- * Gebruik de barbecue nooit bij harde wind.
- * Zorg dat de hoofdbrander(s) en de infraroodbrander aan de achterkant NOOIT tegelijk aan staan. Dit kan leiden tot kromtrekken van de deksel van de barbecue.
- * De barbecue wordt erg heet, verplaats deze nooit tijdens of kort na gebruik.
- * De meeste Boretti barbecues hebben wielen waardoor ze eenvoudig te verplaatsen zijn. Verplaats de barbecue rustig over een ongelijk terrein. Bij onzorgvuldig verplaatsen kunnen de wielen beschadigen.
- * Gebruik geen draaispit bij regen.
- * Op onze barbecue kunnen pannen van tussen de 130 mm en 220 mm gebruikt worden.

2. Onderdelen

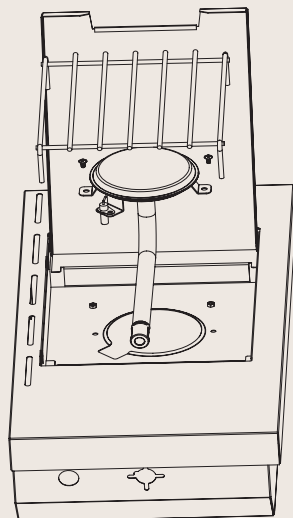
<p>Barbecue</p>	<p>Linkerzijtafel</p>	<p>Rechterzijbrander</p>
		
<p>Afvalzak geleide rails</p>	<p>Elektronische ontsteker</p>	<p>Batterij</p>
		
<p>Indicatie ring</p>	<p>Knop</p>	<p>Vlam verdeler I</p>
		
<p>Vlam verdeler II</p>	<p>Vlam verdeler III</p>	<p>Warmhoudrooster</p>
		

Vet opvangbak**Vuilniszak frame**

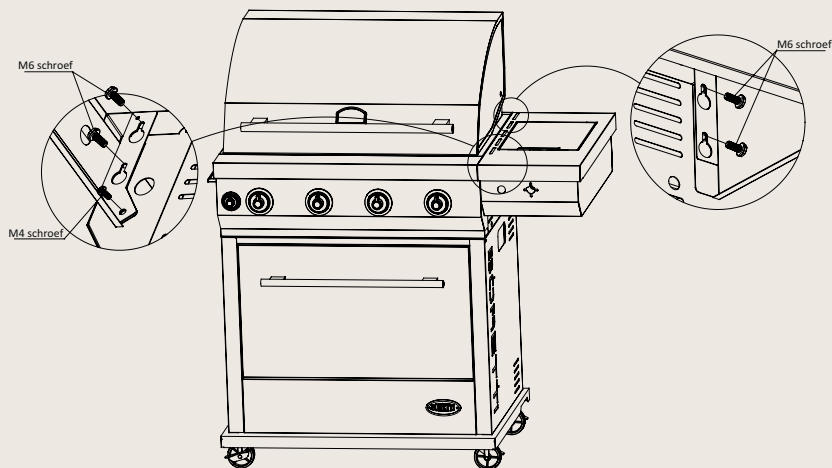
3. Montagetekeningen

Stap 1

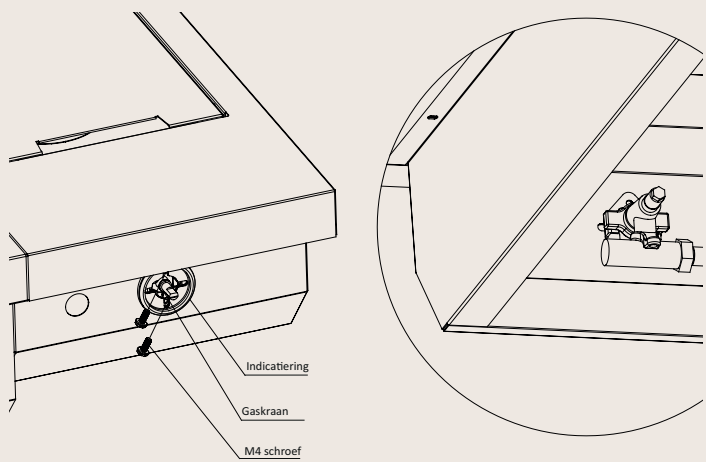
Verwijder de pandrager en draai de M4 moer en schroef los om de zijbrander los te halen.



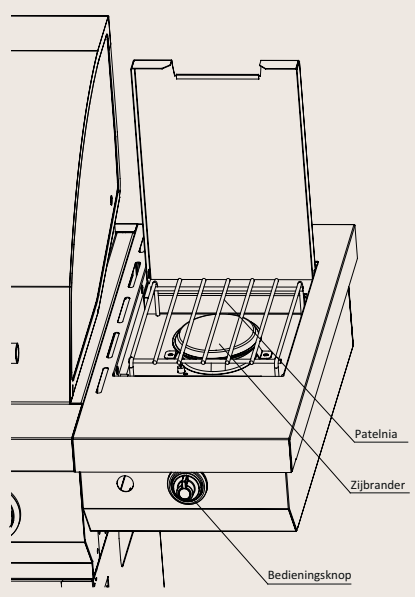
- Stap 2** - a) Draai de 4x M6 en 1x M4 schroeven aan de rechterzijde van de barbecue ongeveer 6 mm los.
 b) Schuif de zijbrander met de uitsparingen over de schroeven die u heeft los geschroefd.
 c) Draai de schroeven weer aan om zo de zijbrander vast te zetten.



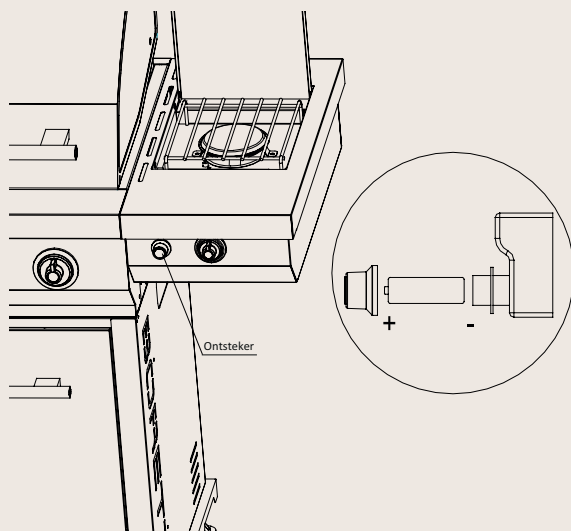
- Stap 3** - a) Plaats de bijgeleverde knop ring op de zijbrander en schroef deze vast met de bijgeleverde M4 schroef.
 b) Plaats de tweede M4 schroef en draai deze vast en zorg dat de 'H' gericht is naar het ontstekingsgat (linkerkant).



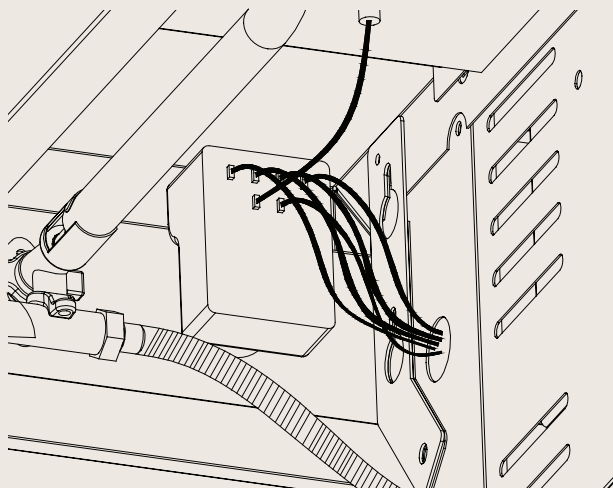
- Stap 4** - a) Installeer de zijbrander met de 2x M4 schroeven. Plaats de pandrager terug.
 b) In stalleer de bedieningsknop en zorg ervoor dat de platte zijde van de knop overeenkomt met de platte kant op de gaskaan.



- Stap 5** - a) S schuif het schroefdraad gedeelte van de ontsteker door het gat aan de voorzijde van de zijbrander en installeer de borgmoer.
- b) Plaats de batterij met de + zijde naar voren in de houder.
- c) Schroef de dop op de ontsteker.

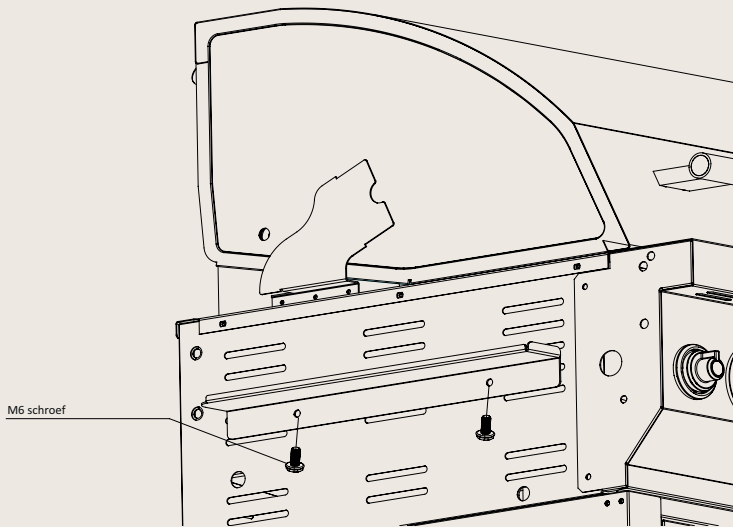


- Stap 6** - a) Verbind het uiteinde van de zijbrander ontstekingskabel met de elektronische ontsteker.
- b) Verbind de vijf draden die uit de zijkant van de BBQ komen met de elektronische ontsteker.



Stap 7

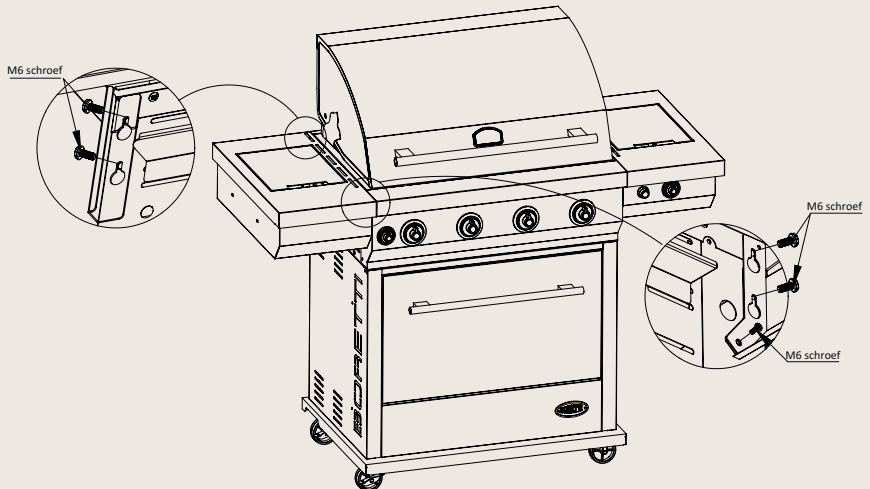
B-e vestig de afvalzak geleiderail aan de linkerkant van de BBQ en zet deze vast met 2x M6x10 schroeven.



Stap 8 - a) Draai de 4x M6 en 1x M4 schroeven aan de linkerkant van de barbecue ongeveer 6 mm los.

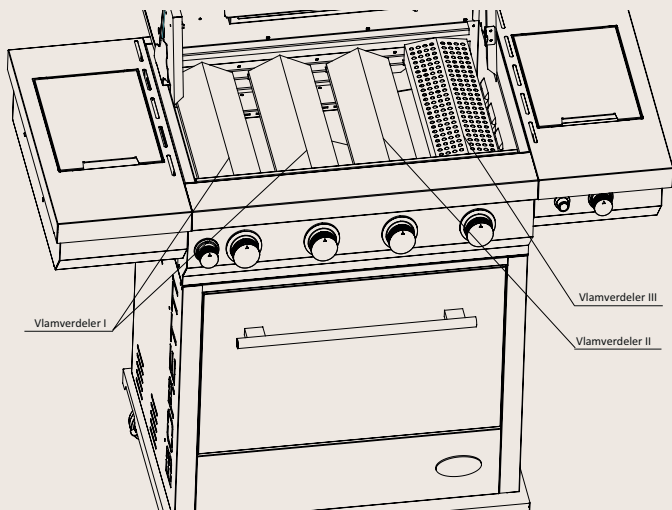
b) Schuif de zijtafel over de vier schroeven.

c) Draai de vijf schroeven weer aan om de zijtafel vast te zetten.



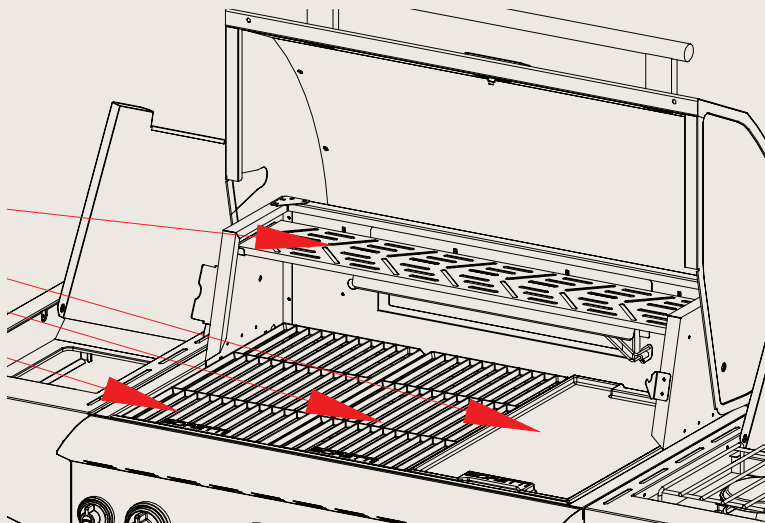
Stap 9

Plaats de vlamverdelers in de uitsparingen met de driehoek zijde naar boven. Zorg dat de vlamverdelers met de lange zijde naast de infrarood brander wordt geplaatst.



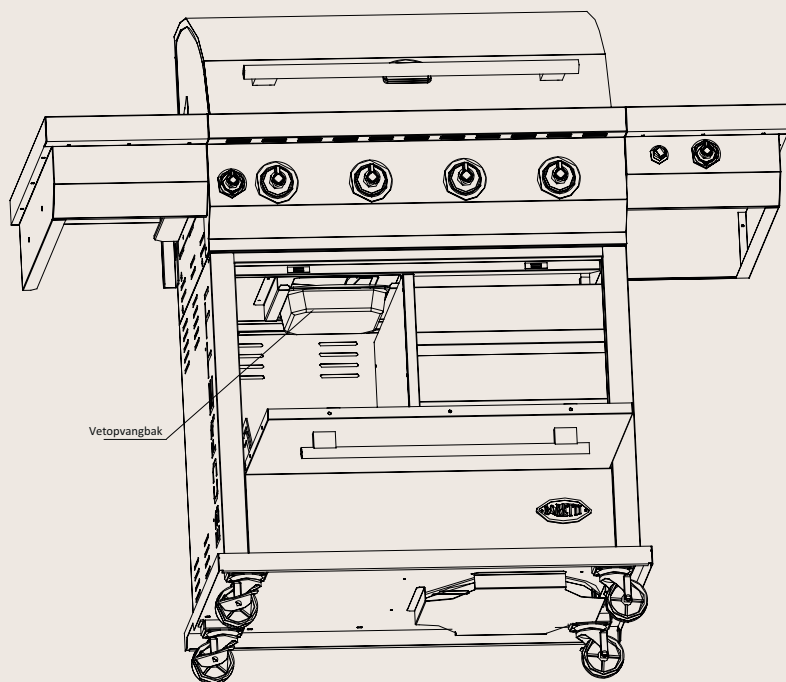
Stap 10 - a) Leg de roosters op de richels in de barbecue.

b) Plaats het warmhoudrooster.



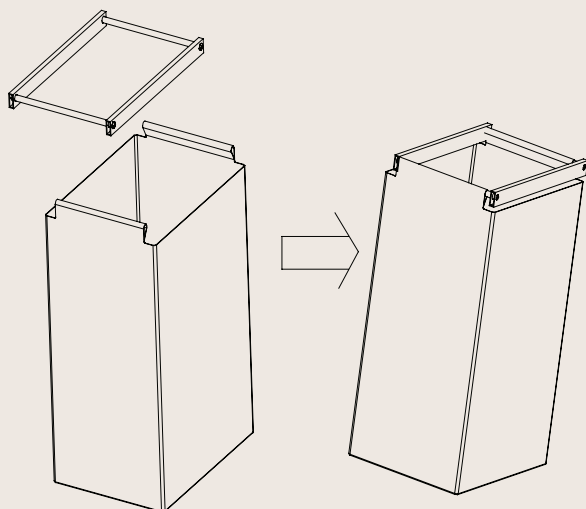
Stap 11

Schuif de vetopvangbak in de geleiders onder de branders.

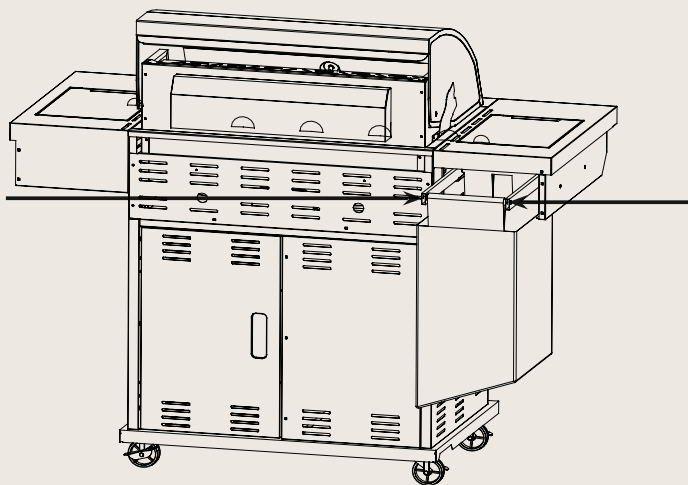


Stap 12

Hang de afvalzak aan het frame.

**Stap 13**

Schuif het frame samen met de afvalzak in de geleiderails.



4. Gebruik van uw barbecue

4.1 Algemene informatie

Hoewel alle gasaansluitingen op de barbecue vóór transport getest worden op lekkages, moet er op de plek van montage een volledige test uitgevoerd worden. Er kunnen tijdens het transport of de montage van de barbecue onderdelen zijn verschoven. Er kan ook een te hoge gasdruk op de barbecue staan. Controleer regelmatig het hele systeem op lekkages en controleer het systeem onmiddellijk als u gas ruikt. Sluit bij twijfel de gastoevoer af.

Gasfles 5-6 kg



4.2 Gaslektest

Voer altijd een gaslektest uit voorafgaand aan het gebruik van de barbecue en na een langere periode dat deze niet wordt gebruikt.

- * Doof elk open vuur (NIET ROKEN tijdens het testen op lekkages).
- * Voer deze gaslektest nooit uit in de buurt van open vuur.
- * Maak een zeepoplossing die bestaat uit gelijke delen water en vloeibare zeep of een mild afwasmiddel.
- * Doorloop onderstaande stappen:
 1. Zet de bedieningsknoppen van de branders uit.
 2. Verwijder de batterij uit de elektronische ontsteker.
 3. Open de gasfles.
 4. Breng de zeepoplossing aan op alle aansluitingen op de gastoevoer. Als er geen zeepbellen ontstaan is er geen gaslek. Als er op een aansluiting zeepbellen vormen, zit daar een lek. Als u een lek heeft ontdekt sluit u onmiddellijk de gastoevoer af, draait u alle lekkende aansluitingen goed aan, draai de gasfles weer open, en herhaalt u stap 1 tot en met 4.
 5. Sluit de gastoevoer af.
 6. Zet de bedieningsknoppen van de branders 10 seconden aan om de druk in de slang te laten ontsnappen en zet vervolgens de bedieningsknoppen weer uit.
 7. Verwijder de zeepoplossing met koud water van de aansluiting van het apparaat en wrijf het droog met een doek. Controleer voor ieder gebruik (en na het vervangen van de gasfles) alle gasaansluitingen.

Het wordt aanbevolen de gasslang elk jaar op lekkages te testen, zelfs als de gasfles nooit van de barbecue is losgekoppeld.

Let op:

Zorg dat u alle losse aansluitingen (inclusief de zijbrander) test en, indien nodig, weer aandraait wanneer u het apparaat op lekkages test. Zelfs een klein lek in het systeem kan een gevaarlijke situatie tot gevolg hebben.

Let op:

Tegenwoordig zijn de meeste gasflessen voorzien van een mechanisme voor het ontdekken van lekken binnenin de tank. Als het gas te snel ontsnapt sluit dit mechanisme de gastoevoer af. Een lek kan de gastoevoer aanzienlijk beperken waardoor het aansteken van de barbecue lastig wordt.

Let op:

Als u een gaslek niet kunt dichten, sluit dan de gastoevoer af en neem contact op met uw verkooppunt. Zelfs een klein lek kan brand veroorzaken.

Let op:

Als het na een aantal pogingen niet lukt de barbecue aan te steken, neem contact op met uw verkooppunt.

Let op:

Zet de bedieningsknoppen in de "UIT"-stand wanneer u de barbecue niet gebruikt.

4.3 De barbecue aansteken

- * Controleer de branders op hun algehele conditie (zie 0) Indien u aan de conditie van de branders twijfelt, neem contact op met uw verkooppunt.
- * Zorg ervoor dat de barbecue op een vlakke ondergrond staat.
- * **Zorg dat er tijdens gebruik geen brandbaar materiaal in de buurt van het apparaat is.** Houd de kookzone schoon en vrij van benzine en/of andere brandbare en/of ontvlambare stoffen, brandbare gassen of ontvlambare dampen.
- * Zorg ervoor dat er geen voorwerpen de verbranding en ventilatie blokkeren.
- * Gebruik geen aluminiumfolie in de geëmailleerde branderbak of rondom de vlamverdelers.
- * Zorg voor voldoende ventilatie van de gasfles.

Waarschuwing:

- * Steek de barbecue niet aan als u gas ruikt!
- * Controleer de gas slang op scheurtjes of slijtage (zie: GASLEKTEST).
- * Houd uw gezicht en lichaam zo ver mogelijk bij de barbecue vandaan tijdens het aansteken.

4.4 De branders aansteken met een elektronische ontsteker

- * Zorg dat alle knoppen in de "UIT"-stand staan.
- * Open altijd de deksel voor u de barbecue aansteekt.
- * Open de gastoevoer.

Let op:

Draai bij het openen van de gasfles het ventiel LANGZAAM twee (2) hele slagen voor de juiste gastoevoer.

- * Druk en draai één van de bedieningsknoppen in naar de "HOOG"-stand. U zult een knetterend geluid horen. Het kan soms nodig zijn om de ontsteker ongeveer 10 seconden ingedrukt te houden.

Let op:

Als de brander na 10 seconden nog niet aangaat, draai dan de knop weer naar de "UIT"-stand en wacht 1 minuut voordat u het nogmaals probeert.

- * Herhaal de bovenstaande stappen ook voor de andere branders.

Let op:

Bij enkele modellen dient naast de bedieningsknop, ook de aparte ontstekingsknop te worden ingedrukt.

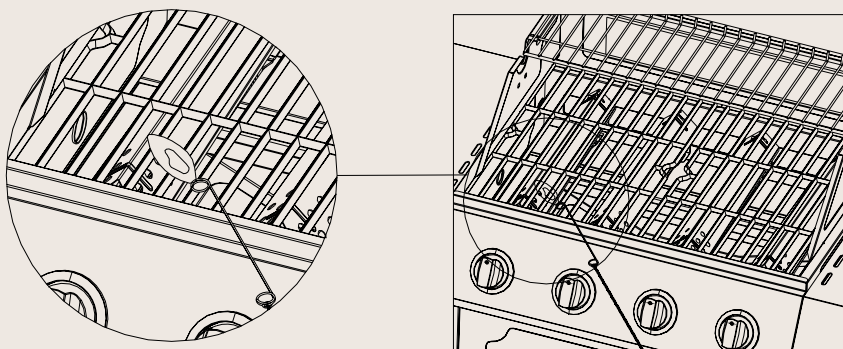
4.5 De branders aansteken met een luciferverlenger (indien aanwezig)

De brander kan ook worden ontstoken met behulp van een lucifer.

- * Steek de lucifer in het verlengstuk, indien de barbecue is voorzien van een luciferverlenger.
- * Houd uw gezicht zo ver mogelijk van de barbecue vandaan en beweeg de luciferverlenger door de openingen in de roosters naar de brander.
- * Plaats de luciferverlenger in de buurt van de brander openingen en druk en draai de bedieningsknop naar de "HOOG"-stand.

Let op:

Als het na een aantal pogingen niet lukt de barbecue aan te steken, neem contact op met uw verkooppunt.



4.6 De zijbrander aansteken met de elektronische ontsteker

- * Druk en draai de bedieningsknop naar de "HOOG"-stand. U zult een knetterend geluid horen.
- * Het kan soms nodig zijn om de ontsteker ongeveer 10 seconden ingedrukt te houden.
- * Als de brander na 10 seconden nog niet aangaat, draai dan de knop weer naar de "UIT"-stand en wacht 1 minuut voordat u het nogmaals probeert.

4.7 De zijbrander aansteken met lucifers

Als de elektronische ontsteker de brander niet aankrijgt, kan de brander ook ontstoken worden met behulp van een lucifer.

- * Steek de lucifer in het verlengstuk, indien de barbecue is voorzien van een luciferverlenger.
- * Houd uw gezicht zo ver mogelijk van de barbecue vandaan en houd de (verlengde) lucifer bij de brander openingen.
- * Druk en draai dan de bedieningsknop naar de "HOOG"-stand.

N.B.:

Als het na een aantal pogingen niet lukt de barbecue aan te steken, neem contact op met uw verkooppunt.

4.8 Opslag

- * Sluit, na het gebruik van uw barbecue, de gastoevoer en laat de barbecue afkoelen.
- * Verwijder de gasfles.
- * Sla de barbecue op in een goed geventileerde omgeving en houd kinderen uit de buurt van het toestel.
- * Zet geen licht ontvlambare producten onder de barbecue.
- * Als u de barbecue buiten laat staan, gebruik dan een hoes om uw barbecue tegen weersinvloeden te beschermen. U dient de hoes, bij opslag buiten, met regelmaat te verwijderen om overmatige condensvorming (met oxidatie tot gevolg) van metalen delen te voorkomen.
- * Laat de barbecue afkoelen alvorens u de hoes plaatst of de barbecue verplaatst.

4.9 Gebruik

- * De barbecue wordt erg heet, gebruik hittebestendige handschoenen wanneer u de barbecue gebruikt. Raak de barbecue niet aan zonder de juiste bescherming.
- * Gebruik geschikte barbecue hulpmiddelen om voedsel op de barbecue te bereiden.

5. Onderhoud van uw barbecue

Belangrijk:

Laat de barbecue NOOIT onafgedekt buiten staan. Water kan zich anders in de barbecue, het onderstel of de vetopvangbak gaan verzamelen. Als de vetopvangbak niet is schoongemaakt na gebruik en de barbecue niet is afgedekt, dan zal de schaal vollopen met water, waardoor water en vet het onderstel in stromen. Wij raden u aan de vetopvangbak na elk gebruik schoon te maken.

Belangrijk:

Onderdelen die door de fabrikant of diens vertegenwoordiger zijn verzegeld mogen niet door de gebruiker gemanipuleerd worden. Geen enkel onderdeel van deze barbecue mag gemodificeerd worden.

5.1 Reiniging

Gebruik geen schurende reinigingsproducten op de barbecue. Deze kunnen krassen en beschadigingen veroorzaken op het oppervlak. Gebruik lauwwarm water in combinatie met een zachte spons of doek om de metalen onderdelen van de barbecuebody te reinigen.

- * Verwarm de barbecue door het aanzetten van de hoofdbranders op de hoogste stand en doe de deksel dicht. **Zet de infraroodbrander(s) niet aan!**
- * Stook de barbecue gedurende 10 minuten heet tot 250 graden.
- * Zet de branders uit en laat de barbecue afkoelen voordat u gaat schoonmaken.
- * Maak de roosters en bakplaat schoon met een daarvoor geschikte schoonmaakborstel (Verkrijgbaar via de Boretti Webshop).
- * Verwijder de bakroosters en bakplaat.
- * Veeg verkoolde (etens)resten weg richting de vetopvangbak.
- * Verwijder de vetopvangbak en reinig deze met warm water en zeepsop.
- * Gebruik warm water en zeepsop om de buitenzijde van de barbecue te reinigen.
- * Maak de barbecue droog met een zachte, schone doek.

5.2 Vetopvangbak

De vetopvangbak moet regelmatig schoongemaakt worden om de ophoping van vuil en resten te voorkomen.

N.B.:

Zorg dat de vetopvangbak is afgekoeld voordat u hem schoonmaakt.

5.3 Grillroosters

De grillroosters kunnen meteen na het bakken, wanneer de barbecue uitgezet is, schoongemaakt worden door middel van een daarvoor geschikte schoonmaakborstel. Het schoonmaken van de grillroosters met een ontvettend middel en water vergroot de kans op oxidatie/roest. Dit kunt u tegengaan door de grillroosters na het schoonmaken in te vetten met olijfolie.

5.4 Roestvrij staal

Na het eerste gebruik kunnen delen van de barbecue verkleuren door de intense hitte die de branders veroorzaken. Dit is normaal.

Gebruik een schoonmaakmiddel voor roestvrijstaal en wrijf dit met de borsteling van het metaal mee. Het kan zijn dat vetspetters op de roestvrijstalen gedeeltes terecht komen en aanbakken, zodat sommige delen er versleten uit gaan zien. Gebruik een schoonmaakmiddel dat niet schuurt samen met een schoonmaakmiddel voor roestvrijstaal om het vet te verwijderen.

5.5 Batterij wisselen van de ontsteker (indien aanwezig)

Draai de knop van de ontsteker los en verwijder de AA batterij. Plaats een nieuwe AA batterij.

5.6 Emaille onderdelen

Sommige onderdelen van de barbecue hebben een emaille coating. Emaille is een product op glasbasis en is erg duurzaam en slijtvast. Het is echter slecht bestand tegen schokken en stoten, hierdoor kunnen haarscheurtjes ontstaan. Deze haarscheurtjes kunnen leiden tot het afbreken van kleine stukjes emaille in de vorm van scherven met roestvorming tot gevolg. De prestaties van uw barbecue zullen echter niet leiden onder de afgebroken scherfjes en haarscheurtjes. Er kan geen aanspraak worden gemaakt op de garantie voor emaille beschadigingen in het kookgedeelte na gebruik.

5.7 Ventilatie

De branders kunnen alleen goed werken als de hitte die ze aanmaken, ook kan ontsnappen. Kan dit niet, dan krijgen de branders mogelijk niet genoeg zuurstof. Dit kan een naontsteking tot gevolg hebben, vooral als de branders in de "HOOG"-stand staan. Als dit keer op keer gebeurt, kunnen er in de branders barsten ontstaan. Om deze reden zitten er ventilatie openingen rondom de barbecue.

Hierdoor kan hete lucht ontsnappen. Zorg ervoor dat er altijd voldoende ruimte rondom het bakoppervlak open wordt gehouden (de roosters zorgen voor voldoende ruimte). Bedek de ventilatie openingen nooit met folie of andere materialen die de luchtstroom belemmeren. Let erop dat het kookoppervlak NOOIT helemaal bedekt is, bijvoorbeeld door een grote pan of met uitsluitend grillplaten.

5.8 Vervangen van de gasslang

De gasslang dient iedere twee jaar vervangen te worden. Rubberen gasslangen kunnen uitdrogen en hierdoor kan er een gaslekage ontstaan.

5.9 Branders

Het is normaal dat er roestvorming (oxidatie) ontstaat op de branders. Voedselresten moeten worden verwijderd op een regelmatige basis. Dit kan met behulp van een barbecue schoonmaakborstel. Branders moeten periodiek worden verwijderd voor inspectie en reiniging, met name na een periode van niet gebruik/opslag. De branders moeten worden gecontroleerd op de algehele conditie en om ervoor te zorgen dat de openingen niet worden geblokkeerd. De branders kunnen gereinigd worden door er een borstel overheen te halen. Indien u de branders verwijdert, pas op dat de gaskraan en de ontstekings elektrode niet worden beschadigd.

Er is opzettelijk een opening in het begin van de brander gemaakt om ervoor te zorgen dat er voldoende toevoer van zuurstof is om het juiste gasmengsel te creëren. Hierdoor ziet u een kleine opening, daar waar de gaskraan op de brander aansluit. Hier zal geen gas uit lekken.

5.10 Spinnen en insecten

Spinnen en insecten kunnen hun nest bouwen in de branders van uw barbecue, waardoor het gas uit de voorkant van de brander kan lopen. Dit is een erg gevaarlijke situatie die brand kan veroorzaken achter het bedienpaneel. Dit beschadigt de barbecue, die dan niet meer veilig is voor gebruik. Wij raden u daarom aan de barbecue ten minste één keer per jaar op spinnen, insecten en hun nesten te controleren (voornamelijk na langere tijd van opslag). Dit kunt u doen door de brander buizen te demonteren en deze schoon te blazen of af te borstelen.

6. Milieurichtlijn, Garantievoorwaarden & Contactinfo



Wilt u om wat voor reden dan ook de barbecue afdanken, neem dan onderstaande richtlijnen in acht:

- * Bezorg de barbecue bij het plaatselijk bevoegde bedrijf voor het inzamelen van de afgedankte huishoudelijke apparaten. Informeer bij uw gemeente waar deze inzamelpunten zich bevinden.
- * Deze barbecue is voorzien van het merkteken conform de Europese richtlijn 2002/96EG betreffende afgedankte apparatuur. De richtlijn bepaalt de normen voor het inzamelen en recyclen van afgedankte apparatuur welke gelden voor het gehele territorium van de Europese Unie.

Voor barbecueaccessoires, garantie-, servicevoorwaarden en overige vragen verwijzen we u naar

www.boretti.com

Ook kunt u uw vragen en suggesties sturen naar

info@boretti.com

Boretti BV

Abberdaan 114

1046 AA Amsterdam

Appliance name: Gas grill

Model number: Maggiore

Category: I3+, I3B/P(30)

Q.: Total 121.6 kW (1572 g/h)

Injector size Main burners 11.1kW IR Back 3.7kW Side burner 3.6kW IR Bottom 3.2kW
Main burners 0.93 IR Back 0.93 Side burner 0.92 IR Bottom 0.85



Country	Category	Gas type	Pressure (mbar)	WARNING
BE	I3+	But	28-30	
	I3+	Propan	37	Il faudra utiliser un détendeur approprié.
BG	I3B/P(30)	бѳтан	29	
	I3B/P(30)	пропан	29	
CY	I3+	βουτάνιο	28-30	
	I3+	προπάνιο	37	Απαιτείται άλλος ρυθμιστής πίεσης αερίου.
	I3B/P(30)	βουτάνιο	29	
	I3B/P(30)	προπάνιο	29	
CZ	I3+	Butan	28-30	
	I3+	Propan	37	Vyžaduje se jiný regulátor tlaku plynu.
	I3B/P(30)	Butan	29	
DK	I3B/P(30)	Propan	29	
	I3B/P(30)	Propan	29	
EE	I3B/P(30)	Butaani	29	
	I3B/P(30)	Propani	29	
ES	I3+	Butano	28-30	
	I3+	Propano	37	Se necesita otro regulador de presión de gas.
FI	I3B/P(30)	Butaani	29	
	I3B/P(30)	Propani	29	
FR	I3+	Butane	28-30	
	I3+	Propane	37	Il faudra utiliser un détendeur approprié.
GB	I3+	Butane	28-30	
	I3+	Propane	37	Other gas pressure regulator required.
GR	I3+	βουτάνιο	28-30	
	I3+	προπάνιο	37	Απαιτείται άλλος ρυθμιστής πίεσης αερίου.
HR	I3B/P(30)	Butan	29	
	I3B/P(30)	Propan	29	
HU	I3B/P(30)	Butángáz	29	
	I3B/P(30)	Propán	29	
IE	I3+	Butane	28-30	
	I3+	Propane	37	Other gas pressure regulator required.
IS	I3B/P(30)	Butan	29	
	I3B/P(30)	Própan	29	
IT	I3+	Butano	28-30	
	I3+	Propano	37	È necessario un altro regolatore della pressione del gas.
	I3B/P(30)	Butano	29	
	I3B/P(30)	Propano	29	
LT	I3+	Butanas	28-30	
	I3+	Propano	37	Būtinās kitas duju slėgio regulatorius.
	I3B/P(30)	Butanas	29	
LV	I3B/P(30)	Propano	29	
	I3B/P(30)	Propāns	29	
MT	I3+	Butāns	28-30	
	I3+	Propāns	37	
NL	I3B/P(30)	Butan	29	
	I3B/P(30)	Propan	29	
NO	I3B/P(30)	Butan	29	
	I3B/P(30)	Propan	29	
PT	I3+	Butano	28-30	
	I3+	Propano	37	Outro regulador de pressão de gás necessário.
RO	I3B/P(30)	Butan	29	
	I3B/P(30)	Propan	29	
SE	I3B/P(30)	Butan	29	
	I3B/P(30)	Propan	29	
SI	I3+	Butan	28-30	
	I3+	Propan	37	Zahtevan je drug regulator za tlak plina.
	I3B/P(30)	Butan	29	
TR	I3B/P(30)	Propan	29	
	I3B/P(30)	Propan	29	

Boretti BV

Abberdaan 114 | 1046 AA Amsterdam | The Netherlands

www.boretti.com

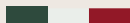
CE 2531/22

PIN: 2531CU-0105

Made in PRC



Passione in Cucina



MAGGIORE AN

FR | NOTICE D'EMPLOI

www.boretti.com

Avant-propos

Félicitations pour l'achat de votre nouveau barbecue. Nous sommes convaincus que vos passions pour la vie à l'extérieur et le barbecue vous permettront de transformer une nuit d'été ordinaire en *buona sera* et votre jardin en *giardino*.

Squadra Boretti

Lire ces instructions attentivement et les conserver soigneusement !

Ce manuel contient des instructions spécifiques pour votre sécurité, pour le montage, le fonctionnement et l'entretien de votre barbecue. Suivez scrupuleusement les instructions de ce manuel lors de l'utilisation du barbecue. Pour faire un barbecue, *le bon sens et la prudence sont de mise !*

Table des matières

* 1. Instructions générales de sécurité.....	54
* 2. Pièces	57
* 3. Schéma d'assemblage.....	59
* 4. Utilisation de votre barbecue	66
* 5. L'entretien de votre barbecue	71
* 6. Directive environnementale, Conditions de garantie et Informations de contact	74

Informations de sécurité importantes

À utiliser uniquement à l'extérieur.

Lire les instructions avant d'utiliser l'appareil.

ATTENTION : des parties accessibles peuvent être très chaudes. Maintenir les jeunes enfants à l'écart.

Ne pas déplacer l'appareil pendant son utilisation.

Fermer l'alimentation en gaz de la bonbonne de gaz après utilisation.

1. Instructions générales de sécurité

- * Avant d'utiliser votre barbecue pour la *première fois*, lire attentivement l'intégralité des informations présentées dans ce manuel.
- * Tenir les animaux et les enfants *éloignés* du barbecue.
- * Ce barbecue ne doit *jamais* être utilisé par les enfants et les personnes atteintes d'une déficience intellectuelle ou sous l'influence de drogues ou de médicaments.
- * Gardez toujours une distance maximale entre vous et le barbecue lorsque vous l'allumez et l'utilisez.
- * Changez la bonbonne de gaz loin de toute source d'ignition.
- * La bonbonne de gaz peut être placée sous le barbecue, sauf si celui-ci est un barbecue de table.
- * Faites attention à ce que le tuyau de gaz ne soit pas plié pendant l'installation du régulateur de gaz.
- * Utilisez le régulateur de gaz fourni. Si un nouveau régulateur de gaz est installé, assurez-vous qu'il soit en accord avec la norme EN 16129. La pression du gaz doit être telle qu'indiqué sur l'étiquette du barbecue.
- * Assurez-vous que le robinet de la bonbonne de gaz est accessible de manière à pouvoir fermer l'alimentation en gaz du barbecue.
- * Éteindre toutes les flammes et NE PAS FUMER lorsque vous ouvrez le gaz et allumez le barbecue.
- * Ce barbecue atteint une température très élevée, un soin et une vigilance extrêmes sont requis pour son utilisation.
- * Si vous sentez une odeur de gaz, vérifiez que tous les raccords de gaz sont bien serrés avant utilisation. Si l'odeur de gaz persiste, fermer la vanne de gaz et contacter votre revendeur.
- * Toujours tenir les combustibles et/ou matériaux, gaz et liquides inflammables éloignés du barbecue et veiller à ce que celui-ci ne rentre jamais en contact direct avec les substances inflammables.

- * Le non respect ou l'application erronée des instructions, mesures de précaution, directives de sécurité, avertissements et descriptions de dangers contenus dans ce manuel peut provoquer un incendie ou une explosion, des dommages matériels ainsi que des blessures graves, voire mortelles.
- * Uniquement pour un usage domestique et exclusivement destiné à la cuisson d'aliments.
- * Ce barbecue peut être utilisé avec des bonbonnes de gaz de 5 kg à 6 kg. La taille maximale de la bonbonne de gaz doit être : 300 mm de diamètre, hauteur : 470 mm. Suivre les informations techniques indiquées dans le manuel d'utilisation et vérifiez auprès d'un fournisseur de gaz local si la bonbonne de gaz est adaptée au barbecue.
- * Éviter de tordre le tube flexible lorsque l'appareil est en cours d'utilisation. La longueur du tube flexible ne doit pas dépasser 1,5 m. En Finlande, la longueur ne doit pas dépasser 1,2 m. Le tuyau doit être certifié conforme à la norme EN applicable et respecter le code local.

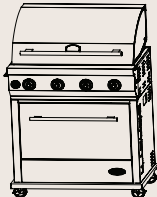
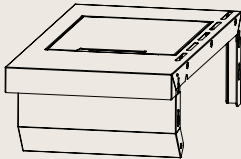
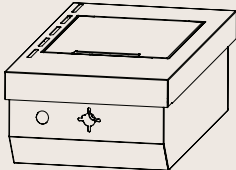
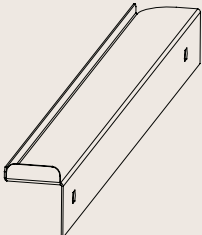
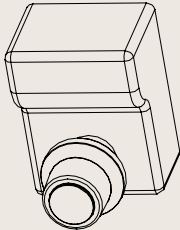

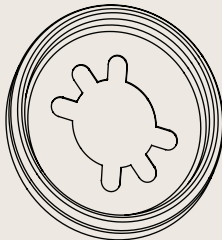
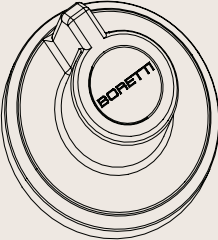

1.1 Assemblage

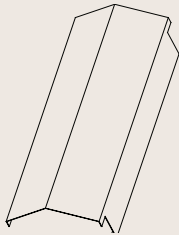
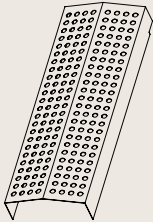

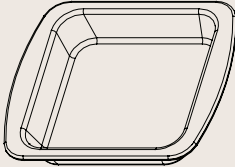
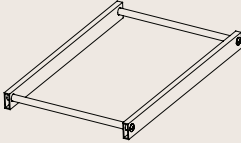
- * Assembler le barbecue selon le schéma d'assemblage figurant dans ce manuel.
- * Un mauvais assemblage ou ne pas suivre l'ordre indiqué dans le schéma d'assemblage peut entraîner des situations très graves.
- * Toujours faire preuve de prudence et de précision lors de l'assemblage.
- * Toutes les pièces doivent être assemblées comme indiqué dans le schéma d'assemblage. S'il manque une pièce et/ou en cas de doute quant à l'exactitude de l'assemblage, contacter immédiatement un point de vente.
- * Ne jamais réparer ou remplacer soi-même des pièces de cet appareil à moins que cela ne soit expressément mentionné dans ce manuel.
- * Ne jamais connecter un tuyau de gaz endommagé à l'appareil. Cela peut provoquer un incendie.
- * Si l'appareil est équipé d'une fiche électrique, il s'agit alors d'une prise de terre pour protéger des chocs électriques. La fiche électrique doit être branchée à une prise de terre adaptée.
- * NE JAMAIS retirer les plaques métalliques de la fiche électrique.
- * NE PAS modifier l'appareil.

1.2 Un endroit adapté à l'utilisation du barbecue

- * Utilisez uniquement le barbecue à l'extérieur (à l'air libre) dans un environnement bien ventilé. Ne jamais utiliser un barbecue à l'intérieur ou dans un espace clos (même en partie). Des fumées toxiques s'y accumulent et causent des lésions corporelles très graves pouvant entraîner la mort.
- * Ne jamais utiliser le barbecue sur une surface inflammable.
- * Utiliser le barbecue uniquement sur une surface dure, plate et stable pouvant porter le poids de l'appareil.
- * Maintenir toute substance inflammable (bois, plastique, végétation, etc.) à une distance d'au moins trois mètres du barbecue lorsque celui-ci est allumé.
- * Toujours maintenir le barbecue à distance de l'essence et/ou d'autres liquides et gaz inflammables et des vapeurs explosives ou des zones où l'on soupçonne la présence de substances inflammables.
- * Ne jamais utiliser le barbecue par vent violent.
- * Assurez-vous que les témoins principaux et le témoin infrarouge à l'arrière ne soient JAMAIS allumés en même temps. Cela peut conduire à la déformation du couvercle du barbecue.
- * Le barbecue atteint une température très élevée, ne jamais le déplacer pendant ou peu après son utilisation.
- * La plupart des barbecues Boretti sont équipés de roues qui leur assurent une bonne mobilité. Sur terrain accidenté, déplacer le barbecue doucement ; le déplacer abruptement peut endommager les roues.
- * Ne pas utiliser la rôtissoire par temps de pluie.
- * Des poêles de 130 mm à 220 mm peuvent être utilisées avec ce barbecue.

2. Pièces

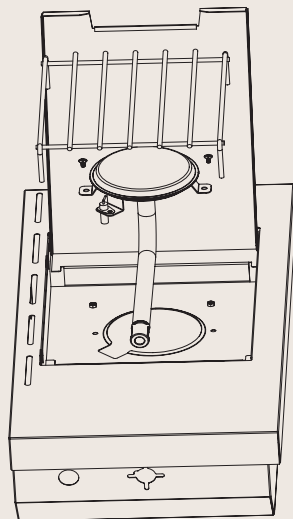
<p>Assemblage de carrosserie</p>	<p>Assemblage d'étagère latérale</p>	<p>Assemblage de brûleur latéral</p>
		
<p>Rail du guidage pour sac poubelle</p>	<p>Allumeur électronique</p>	<p>Pile</p>
		
<p>Anneau de bouton</p>	<p>Bouton</p>	<p>Couvercle de flamme émaillé noir 2x</p>
		

Couvercle de flamme émaillé noir	Couvercle de flamme	Grille-réchaud
		
Réceptif à graisse	Cadre pour sac poubelle	
		

3. Schéma d'assemblage

Étape 1

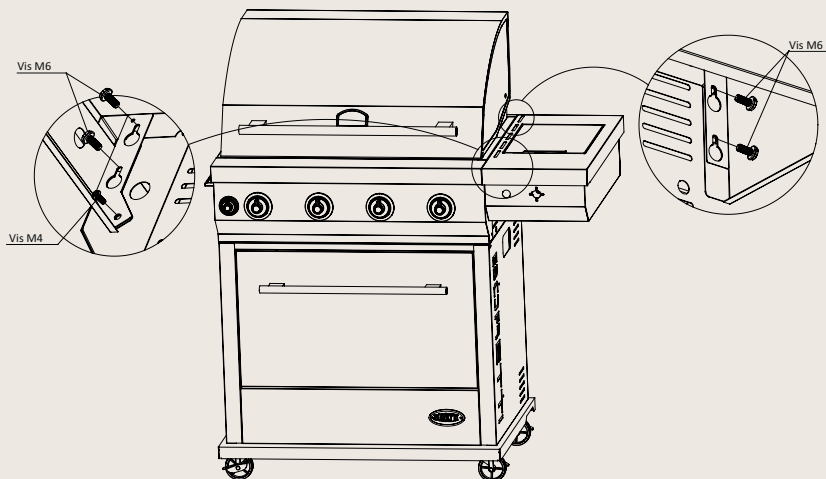
Enlevez le support et dévissez les deux vis M4x5 pour détacher le brûleur latéral.



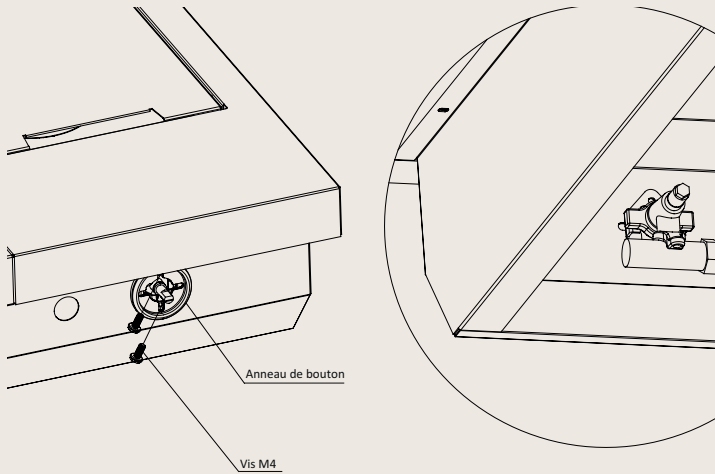
Étape 2 - a) Dévissez pour environ 6 millimètres les quatre vis du foyer du panneau latéral droit.

b) Faites glisser le brûleur latéral avec les découpages sur les quatre vis que vous avez déjà dévissé pour 6 millimètres.

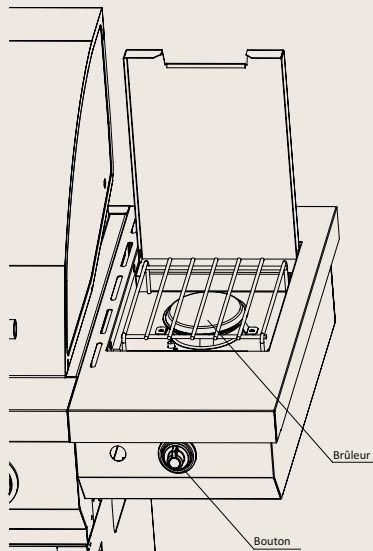
c) Fixez l'étagère à l'aide des quatre vis.



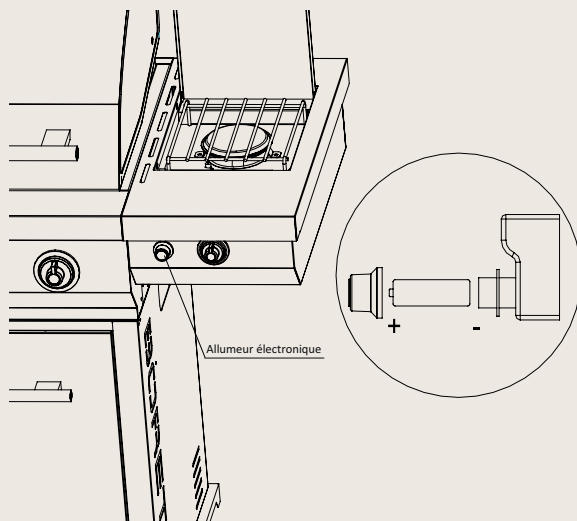
- Étape 3** - a) Insérez un vis à valve M4 x10 par l'anneau et dans le brûleur latéral, puis serrez-le.
- b) Installez le deuxième vis à valve par l'anneau et serrez-le. Veuillez noter que l'anneau doit être posé de façon que le 'H' soit face au trou de l'allumeur.



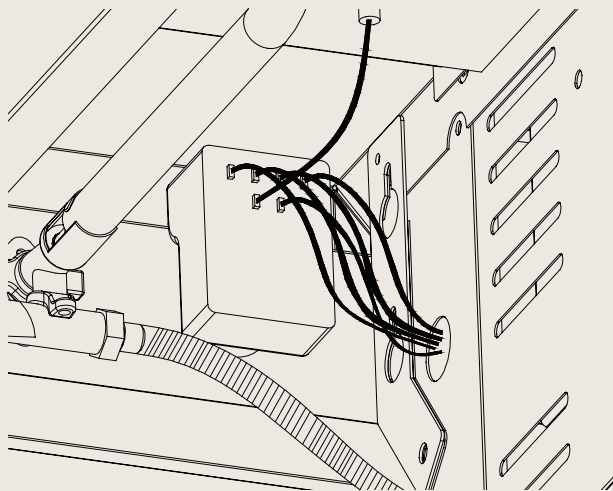
- Étape 4** - a) Installez le brûleur latéral en utilisant les deux vis M4x5. Remettez le support.
- b) Installez le bouton de commande en s'assurant que le côté latéral plat de la tige de soupape est aligné avec le côté latéral plat de la tige du bouton.



- Étape 5** - a) Passez la patie fileté de l'allumeur par le trou d'allumeur à l'avant du brûleur lateral, puis installez le vis de blocage.
- b) Insérez la pile pôle positif vers le front.
- c) Serrez le couvercle d'allumeur sur l'allumeur électronique.

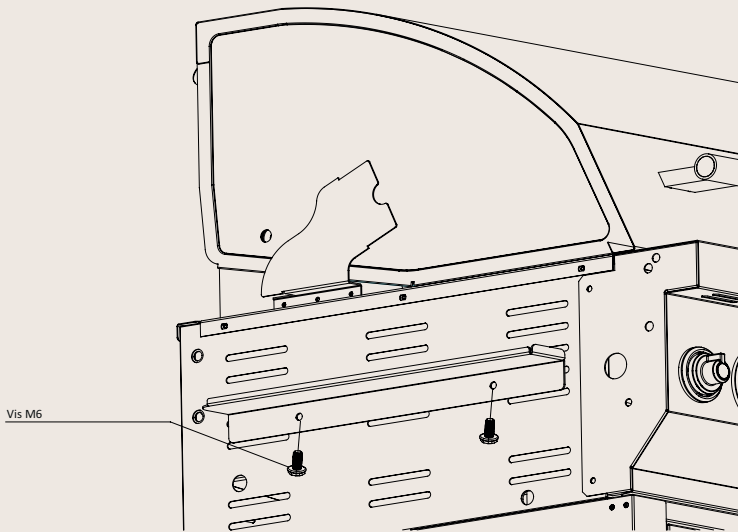


- Étape 6** - a) Connectez l'extrémité du fil du brûleur lateral à l'allumeur électronique
- b) Connectez les cinq fils qui débourent du grill lateral à l'allumeur électronique

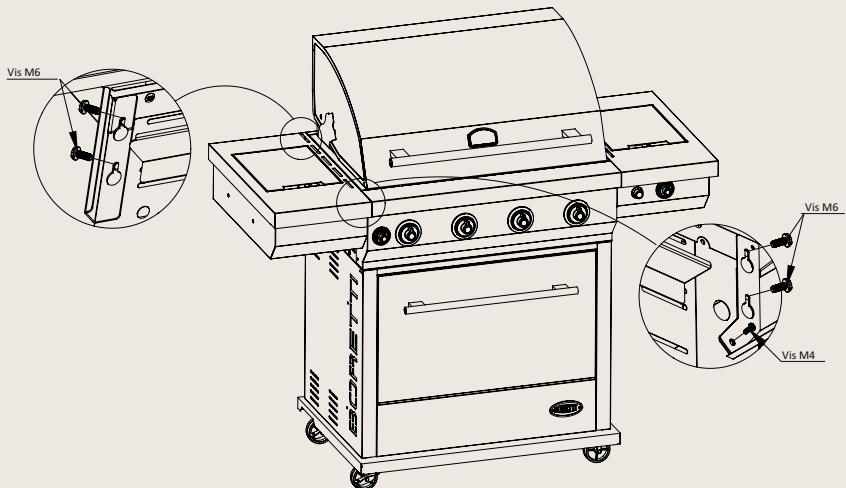


Étape 7

Attachez le rail du guidage pour sac poubelle au côté gauche du BBQ, puis fixez-le à l'aide des deux vis M6x10.

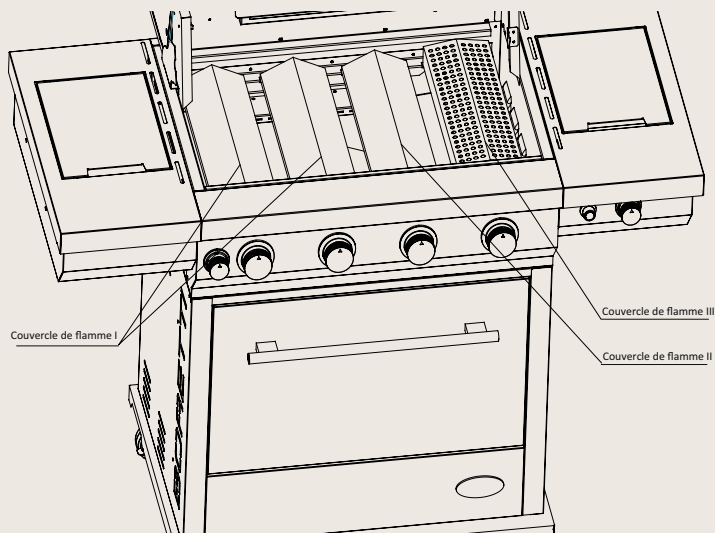


- Étape 8** - a) Dévissez les cinq vis au côté gauche de l'assemblage de carrosserie BBQ pour environ 6 millimètres.
 b) Faites glisser le brûleur latéral avec les découpages sur les quatre vis que vous avez déjà dévissé pour 6 millimètres
 c) Draai de vijf schroeven weer aan om de zijtafel vast te zetten.



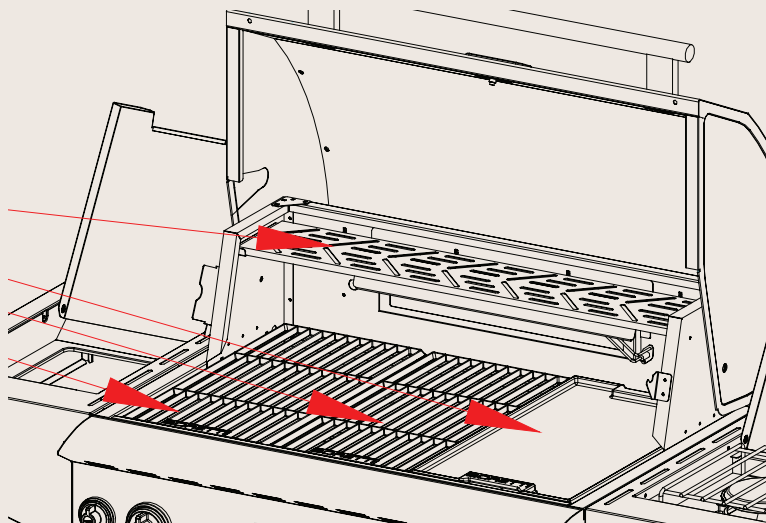
Étape 9

Insérez la rangée supérieure des grilles saveurs dans les découpages avec les revers triangles dirigé vers le haut. Assurez-vous que la grille saveur soit placée avec le côté long auprès du brûleur IR inférieur.



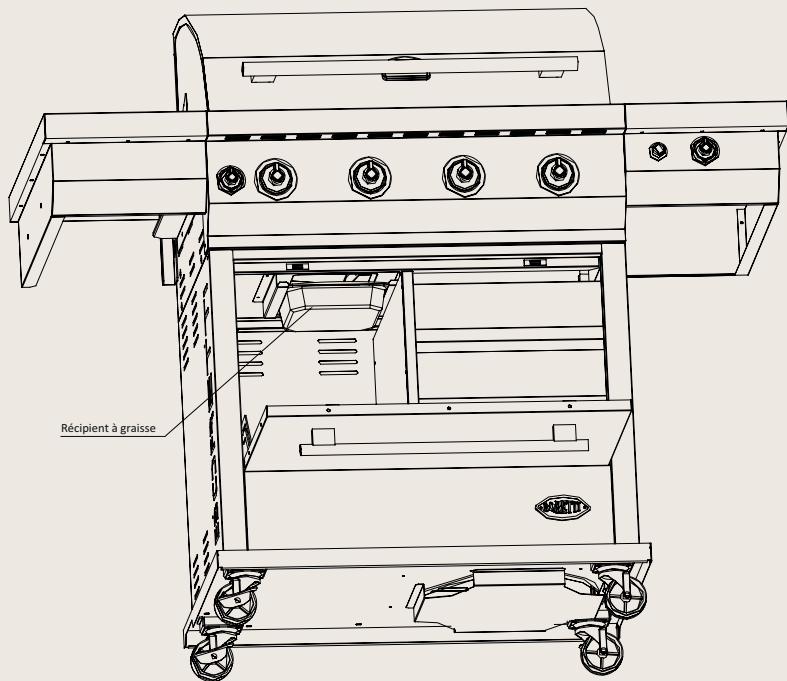
Étape 10 - a) Installez les grilles sur les rebords présents sur le BBQ pour créer votre surface de cuisson.

b) Posez la grille-réchaud sur le support qui se trouve dans le capot.



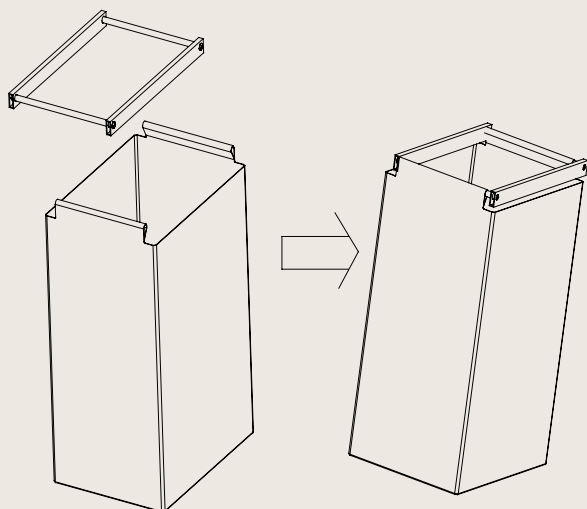
Étape 11

Placez le récipient à graisse dans les rails au-dessous des brûleurs.



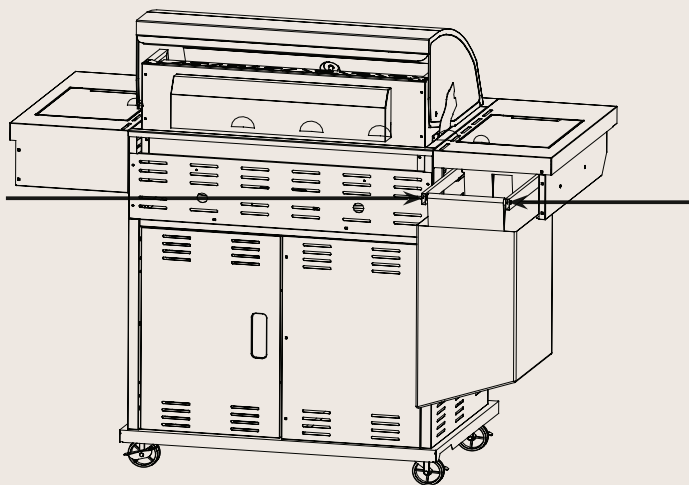
Étape 12

Pendez le sac poubelle dans le cadre.



Étape 13

Mettez le cadre dans le système des rails de guidage.



4. Utilisation de votre barbecue

4.1 Informations générales

Bien que tous les raccords de gaz du barbecue soient contrôlés sur les fuites avant expédition, un test complet doit être effectué sur le lieu d'assemblage. Le transport et l'assemblage du barbecue peuvent avoir déplacé des pièces de l'appareil. La pression du gaz dans l'appareil peut également être trop élevée. Vérifiez régulièrement l'ensemble du système sur les fuites et vérifiez le système immédiatement en cas d'odeur de gaz.

Bonbonne de gaz 5-6 kg



4.2 Contrôler les fuites de gaz

Toujours contrôler les éventuelles fuites de gaz avant d'utiliser le barbecue et après une longue période de mise à l'arrêt.

- * Éteindre toute flamme nue (NE PAS FUMER pendant le contrôle de fuites).
- * Ne jamais contrôler les fuites à proximité de flammes nues.
- * Préparer une solution de savon comprenant des parties égales d'eau et de savon liquide ou de détergent doux
- * Suivez les étapes suivantes :
 1. Eteindre les commandes des brûleurs.
 2. Retirez la pile de l'allumeur électronique.
 3. Ouvrez la bonbonne de gaz.
 4. Appliquer la solution savonneuse sur tous les raccords de l'alimentation en gaz. Si aucune bulle de savon ne se forme, il n'y a pas de fuite de gaz. Si des bulles se forment autour d'un raccord, il y a une fuite. En cas de fuite, fermer l'alimentation en gaz immédiatement, serrer correctement tous les raccords qui fuient, ouvrez à nouveau l'alimentation en gaz et répétez les étapes 1 à 4.
 5. Fermer le gaz.
 6. Allumer les commandes des brûleurs pendant 10 secondes pour baisser la pression dans le tuyau puis éteindre les commandes.
 7. Rincer l'appareil à l'eau froide pour enlever la solution savonneuse des raccords et l'essuyer avec un chiffon. Avant chaque utilisation, vérifier tous les raccords de gaz et faire la même chose à chaque fixation de la bonbonne au régulateur.

Il est recommandé de vérifier annuellement l'étanchéité du tuyau d'alimentation en gaz, même si la bonbonne n'a jamais été détachée de l'appareil.

Remarque:

Vérifier tous les raccords (y compris le brûleur latéral) et, le cas échéant, les resserrer lors du contrôle d'étanchéité. Même une petite fuite dans le système peut engendrer une situation dangereuse.

Remarque:

De nos jours, la plupart des bonbonnes de gaz sont pourvues d'un mécanisme de détection de fuites à l'intérieur du réservoir. Si le gaz s'échappe trop rapidement, ce mécanisme coupe l'alimentation. Une fuite peut réduire l'alimentation en gaz de façon significative, ce qui rend difficile l'allumage du barbecue.

Remarque:

Si colmater la fuite s'avère impossible, couper l'alimentation en gaz et contacter votre revendeur. Même une petite fuite peut provoquer un incendie.

Remarque:

Si après plusieurs tentatives, le barbecue ne s'allume toujours pas, veuillez contacter votre revendeur.

Remarque:

Mettre les commandes en position « OFF » lorsque l'appareil n'est pas en cours d'utilisation.

4.3 Allumer le barbecue

- * Inspecter l'état général des brûleurs (voir 0). En cas de doute sur l'état des brûleurs, veuillez contacter votre revendeur.
- * Assurez-vous de placer le barbecue sur une surface plane.
- * **Cet appareil doit être tenu à l'écart des matériaux inflammables pendant son utilisation.** La zone de cuisson doit rester propre et exempte d'essence et/ou d'autres substances combustibles ou inflammables, de gaz ou de vapeurs inflammables.
- * Aucun objet ne doit obstruer la combustion et la ventilation.
- * Ne pas utiliser de papier aluminium dans la cuve émaillée ni autour des distributeurs de flammes.
- * S'assurer de la ventilation adéquate de la bonbonne de gaz.

Avvertissement :

- * Ne pas allumer le barbecue si vous sentez une odeur de gaz !
- * Vérifier que le tuyau de gaz n'a pas de fissures ou de signes d'usure (voir : TEST FUITE DE GAZ).
- * Tenir le visage et le corps aussi éloignés que possible du barbecue lors de l'allumage.

4.4 Allumer les brûleurs à l'aide un allumeur électronique

- * Toutes les commandes doivent être en position « OFF ».
- * Toujours ouvrir le couvercle avant d'allumer le barbecue.
- * Ouvrir l'alimentation en gaz.

Attention :

Tourner LENTEMENT deux (2) tours complets pour ouvrir le robinet de la bonbonne et obtenir le bon débit de gaz.

- * Pousser et tourner l'une des commandes dans la position « HIGH ». Vous entendrez un bruit de crépitement. Il peut s'avérer nécessaire d'activer l'allumeur pendant environ 10 secondes.

Remarque :

Si le brûleur ne s'allume pas au bout de 10 secondes, tourner le bouton en position « OFF » et attendre 1 minute avant de réessayer.

- * Répéter les étapes ci-dessus pour les autres brûleurs.

Remarque :

Pour certains modèles, il faut maintenir le bouton d'allumage appuyé en même temps que le bouton de commande.

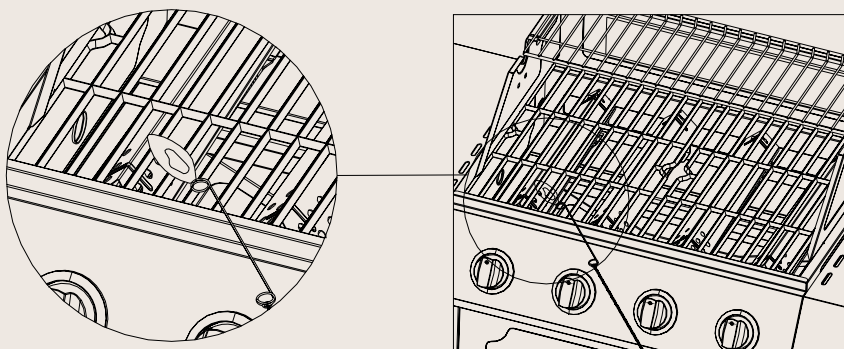
4.5 Allumer les brûleurs à l'aide d'un prolongateur d'allumette (si disponible)

Si l'allumeur électronique ne parvient pas à allumer le brûleur, celui-ci peut également être allumé à l'aide d'une allumette.

- * Si le barbecue est équipé d'un prolongateur d'allumette, insérez l'allumette dans le prolongateur.
- * Garder une distance maximale entre votre visage et le barbecue et insérer l'allumette prolongée dans une ouverture des grilles pour atteindre le brûleur.
- * Placer l'allumette à proximité des ouvertures du brûleur puis pousser et tourner le bouton de commande sur la position « HIGH ».

Remarque :

Si après plusieurs tentatives, le barbecue ne s'allume toujours pas, veuillez contacter votre revendeur.



4.6 Allumer le brûleur latéral avec l'allumeur électronique

- * Appuyez et tournez le bouton de commande sur la position « HIGH ». Vous entendrez un bruit de crépitement.
- * Il peut s'avérer nécessaire d'activer l'allumeur pendant environ 10 secondes.

Remarque :

Si le brûleur ne s'allume pas au bout de 10 secondes, tourner le bouton en position « OFF » et attendre 1 minute avant de réessayer.

4.7 Allumer le brûleur latéral avec une allumette

Si l'allumeur électronique ne parvient pas à allumer le brûleur, celui-ci peut également être allumé à l'aide d'une allumette.

- * Si le barbecue est équipé d'un prolongateur d'allumette, insérez l'allumette dans le prolongateur.
- * Garder une distance maximale entre votre visage et le barbecue puis tenir l'allumette (prolongée) près des ouvertures du brûleur.
- * Ensuite, appuyer et tourner le bouton de commande sur la position « HIGH ».

Remarque :

Si après plusieurs tentatives, le barbecue ne s'allume toujours pas, veuillez contacter votre revendeur.

4.8 Stockage

- * Après utilisation de votre barbecue à gaz, fermer l'alimentation en gaz et laisser refroidir l'appareil.
- * Retirez la bonbonne de gaz.
- * Stocker le barbecue dans un endroit bien ventilé et tenir les enfants éloignés de l'appareil.
- * Ne pas placer de substances inflammables sous le barbecue.
- * Si vous laissez le barbecue à l'extérieur, utiliser une housse pour protéger votre barbecue des intempéries. Retirer la housse régulièrement en cas de stockage à l'extérieur afin d'éviter une condensation excessive qui, à terme, oxyderait les pièces métalliques.
- * Laisser refroidir le barbecue avant de le recouvrir avec la housse ou de le déplacer.

4.9 Utilisation

- * Le barbecue atteint une température très élevée, porter des gants thermiques lors de l'utilisation du barbecue. Ne pas toucher le barbecue sans protection adéquate.
- * Utiliser des outils de barbecue adaptés à la préparation d'aliments.

5. L'entretien de votre barbecue

Important :

NE JAMAIS laisser le barbecue à l'extérieur sans protection. L'eau de pluie peut s'accumuler dans le barbecue, son châssis ou le récupérateur de graisses. Si le récupérateur de graisses n'a pas été nettoyé après utilisation et que le barbecue n'a pas été recouvert d'une housse, la cuve se remplit d'eau et le châssis s'inonde de graisses et d'eau. Nous recommandons de nettoyer le récupérateur de graisses après chaque utilisation.

Important :

Les pièces scellées par le fabricant ou son mandataire ne doivent pas être manipulées par l'utilisateur ; Aucune modification ne doit être apportée à aucune partie de ce barbecue.

5.1 Nettoyage

N'utilisez pas de produits de nettoyage abrasifs sur le barbecue. Ils peuvent le rayer et en endommager la surface. Utilisez de l'eau tiède avec une éponge ou un chiffon doux pour nettoyer les parties métalliques du corps du barbecue.

- * Préchauffer le barbecue en allumant les brûleurs principaux au maximum et fermer le couvercle. **Ne pas allumer les brûleurs infrarouges !**
- * Laisser chauffer pendant 10 minutes pour arriver à une température de 250°C.
- * Éteindre les brûleurs et laissez refroidir l'appareil avant de le nettoyer.
- * Nettoyer les grilles et la plaque de cuisson à l'aide d'une brosse adaptée (disponible dans la boutique en ligne Boretti).
- * Retirer les grilles et la plaque de cuisson.
- * Essuyer les résidus carbonisés vers le récupérateur de graisses.
- * Retirer le récupérateur de graisses et le nettoyer avec de l'eau chaude et du savon.
- * Utiliser de l'eau chaude et du savon pour nettoyer l'extérieur du barbecue.
- * Sécher le barbecue avec un chiffon doux et propre.

5.2 Récupérateur de graisses

Le récupérateur de graisses doit être nettoyé régulièrement pour éviter l'accumulation de saleté et de résidus.

Remarque :

Laisser refroidir le récupérateur de graisses avant de le nettoyer.

5.3 Grilles

Les grilles de cuisson peuvent être nettoyées à l'aide d'une brosse adaptée immédiatement après la cuisson, dès que le barbecue est éteint. Nettoyer les grilles du barbecue avec un agent dégraissant et de l'eau augmente le risque d'oxydation/corrosion. Afin d'éviter l'oxydation, frotter les grilles de cuisson avec de l'huile d'olive après les avoir nettoyées.

5.4 Acier inoxydable

Après la première utilisation, certaines pièces du barbecue peuvent se décolorer au contact de la chaleur intense des brûleurs. C'est normal.

Acheter un produit d'entretien pour acier inoxydable et frotter dans le sens du brossage du métal. Il se peut que des éclaboussures de graisse s'incrustent sur les pièces en acier inoxydable et leur donne un aspect usé. Utiliser un agent de nettoyage non abrasif en combinaison avec un nettoyeur pour acier inoxydable pour enlever la graisse.

5.5 Remplacer la pile de l'allumeur (si présent)

Desserrer le bouton de l'allumeur et retirer la pile AA. Insérer une nouvelle pile AA.

5.6 Pièces émaillées

Certaines pièces du barbecue ont un revêtement en émail. L'émail est un matériau extrêmement durable et résistant à l'abrasion à base de verre. Cependant, il a une faible résistance aux chocs et aux vibrations qui créent des fissures sur sa surface. Ces fines fissures peuvent conduire à l'effritement de l'émail en petits fragments qui favorisent la formation de rouille. Cependant, la performance de votre barbecue ne diminuera pas à cause de ces fragments et ces fissures. Aucune réclamation ne peut être faite sur la détérioration de l'émail dans la zone de cuisson après utilisation.

5.7 Ventilation

Les brûleurs ne fonctionnent correctement que si la chaleur qu'ils génèrent peut s'échapper. Si elle ne le peut pas, trop peu d'oxygène alimente les brûleurs et un effet de retard à l'allumage peut se produire, surtout si les brûleurs sont réglés en position « HIGH ». Si cela se produit à plusieurs reprises, des fissures peuvent apparaître dans les brûleurs. C'est la raison pour laquelle il y a des bouches d'aération tout autour du barbecue. Elles permettent à l'air chaud de s'échapper.

Toujours veiller à libérer assez d'espace autour de la surface de cuisson (les grilles offrent assez d'espace). Ne jamais couvrir les bouches d'aération avec du papier aluminium ou d'autres matériaux pouvant empêcher le flux d'air de circuler. La surface de cuisson ne doit jamais être complètement recouverte par une casserole ou exclusivement par des grilles de cuisson.

5.8 Remplacement du tuyau d'alimentation en gaz

Le tuyau d'alimentation en gaz doit être remplacé tous les deux ans. Les tuyaux en caoutchouc peuvent se dessécher, ce qui favorise les fuites de gaz.

5.9 Brûleurs

La formation de corrosion (oxydation) sur les brûleurs est normale. Les résidus de nourriture doivent être retirés régulièrement. Cela se fait à l'aide d'une brosse de barbecue, par exemple. Retirer périodiquement les brûleurs pour inspection et nettoyage, en particulier après une période sans utilisation/de stockage. Contrôler l'état général des brûleurs et veiller à ce que les ouvertures ne soient pas obstruées. Les brûleurs peuvent être nettoyés à l'aide d'une brosse. Si vous retirez les brûleurs, attention à ne pas endommager la vanne de gaz et l'électrode d'allumage.

Une ouverture a délibérément été créée dans la partie supérieure du brûleur pour assurer une alimentation en oxygène suffisante pour arriver à un mélange combustible. Vous trouverez donc une petite ouverture au niveau du raccordement de la vanne de gaz au brûleur. Aucune fuite de gaz ne peut se produire à cet endroit.

5.10 Araignées et insectes

Les araignées et les insectes peuvent se loger dans les brûleurs de votre barbecue, ce qui fait sortir le gaz à l'avant du brûleur. La situation est très dangereuse car l'arrière du panneau de commande peut prendre feu. Cela endommage le barbecue et rend son utilisation dangereuse. Nous recommandons donc de vérifier qu'il n'y a pas d'araignées, d'insectes ni de nids dans le barbecue au moins une fois par an (en particulier après de longues périodes de stockage). Vous pouvez le faire en retirant les tuyaux du brûleur et souffler dedans ou les brosser.

6. Directive environnementale, Conditions de garantie et Informations de contact



Si pour une raison quelconque vous souhaitez vous défaire du barbecue, veuillez suivre les directives suivantes :

- * Déposer le barbecue à la déchetterie avec les appareils ménagers. Veuillez vous renseigner auprès de votre mairie sur l'emplacement de la déchetterie de votre commune.
- * Ce barbecue porte les logo et marquage conformément à la directive européenne 2002/96EG sur l'élimination des appareils ménagers. La directive définit les normes concernant la collecte et le recyclage des appareils ménagers s'appliquant à l'ensemble du territoire de l'Union européenne.

Pour les accessoires de barbecue, les conditions de garantie et de service ainsi que toute autre question, rendez-vous sur

www.boretti.com

Vous pouvez également envoyer vos questions et suggestions

info@boretti.com

Boretti BV

Abberdaan 114

1046 AA Amsterdam

Appliance name: Gas grill

Model number: Maggiore

Category: I3+, I3B/P(30)

Q.: Total 121.6 kW (1572 g/h)

Injector size Main burners 11.1kW IR Back 3.7kW Side burner 3.6kW IR Bottom 3.2kW
Main burners 0.93 IR Back 0.93 Side burner 0.92 IR Bottom 0.85



Country	Category	Gas type	Pressure (mbar)	WARNING
BE	I3+	But	28-30	
	I3+	Propan	37	Il faudra utiliser un détendeur approprié.
BG	I3B/P(30)	бутан	29	
	I3B/P(30)	пропан	29	
CY	I3+	βουτάνιο	28-30	
	I3+	προπάνιο	37	Απαιτείται άλλος ρυθμιστής πίεσης αερίου.
	I3B/P(30)	βουτάνιο	29	
	I3B/P(30)	προπάνιο	29	
CZ	I3+	Butan	28-30	
	I3+	Propan	37	Vyžaduje se jiný regulátor tlaku plynu.
	I3B/P(30)	Butan	29	
DK	I3B/P(30)	Propan	29	
	I3B/P(30)	Propan	29	
	I3B/P(30)	Butan	29	
EE	I3B/P(30)	Butaani	29	
	I3B/P(30)	Propani	29	
ES	I3+	Butano	28-30	
	I3+	Propano	37	Se necesita otro regulador de presión de gas.
FI	I3B/P(30)	Butaani	29	
	I3B/P(30)	Propani	29	
FR	I3+	Butane	28-30	
	I3+	Propane	37	Il faudra utiliser un détendeur approprié.
GB	I3+	Butane	28-30	
	I3+	Propane	37	Other gas pressure regulator required.
GR	I3+	βουτάνιο	28-30	
	I3+	προπάνιο	37	Απαιτείται άλλος ρυθμιστής πίεσης αερίου.
HR	I3B/P(30)	Butan	29	
	I3B/P(30)	Propan	29	
	I3B/P(30)	Butángáz	29	
HU	I3B/P(30)	Propán	29	
	I3+	Butane	28-30	
IE	I3+	Propane	37	Other gas pressure regulator required.
	I3B/P(30)	Bután	29	
IS	I3B/P(30)	Própan	29	
	I3+	Butano	28-30	
IT	I3+	Propano	37	È necessario un altro regolatore della pressione del gas.
	I3B/P(30)	Butano	29	
	I3B/P(30)	Propano	29	
LT	I3+	Butanas	28-30	
	I3+	Propano	37	Būtinias kitas duju slėgio regulatorius.
	I3B/P(30)	Butanas	29	
LV	I3B/P(30)	Propano	29	
	I3+	Butāns	28-30	
	I3+	Propāns	37	
MT	I3B/P(30)	Butāns	29	
	I3B/P(30)	Propāns	29	
	I3B/P(30)	Butan	29	
NL	I3B/P(30)	Propan	29	
	I3B/P(30)	Butaan	29	
NO	I3B/P(30)	Propan	29	
	I3B/P(30)	Butan	29	
PT	I3+	Butano	28-30	
	I3+	Propano	37	Outro regulador de pressão de gás necessário.
RO	I3B/P(30)	Butan	29	
	I3B/P(30)	Propan	29	
SE	I3B/P(30)	Butan	29	
	I3B/P(30)	Propan	29	
SI	I3+	Butan	28-30	
	I3+	Propan	37	Zahtevan je drug regulator za tlak plina.
	I3B/P(30)	Butan	29	
TR	I3B/P(30)	Propan	29	
	I3B/P(30)	Butan	29	
	I3B/P(30)	Propan	29	

Boretti BV

Abberdaan 114 | 1046 AA Amsterdam | The Netherlands

www.boretti.com

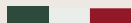
CE 2531/22

PIN: 2531CU-0105

Made in PRC



Passione in Cucina



MAGGIORE AN

DE | BENUTZERHANDBUCH

www.boretti.com

Einführung

Herzlichen Glückwunsch zum Kauf Ihres neuen Grills. Wir sind überzeugt, dass Sie mit Ihrer Leidenschaft für das Grillen und den Lebensstil im Freien einen durchschnittlichen Sommerabend in einen wunderbaren *buona sera* und Ihren Garten in einen *giardino* verwandeln werden.

Squadra Boretti

Lesen Sie dieses Handbuch sorgfältig durch und bewahren Sie es sicher auf!

Dieses Handbuch enthält spezifische Anweisungen für Ihre Sicherheit, für den Aufbau, den Betrieb und die Wartung Ihres Grills. Benutzen Sie den Grill nur so, wie in diesem Handbuch beschrieben. Gesunder Menschenverstand und Vorsicht beim Gebrauch sind ein absolutes *Muss*!

Contents

* 1. Allgemeine Sicherheitsrichtlinien	78
* 2. Teileliste	81
* 3. Zusammenbau-Zeichnungen.....	83
* 4. Benutzung Ihres Grills	90
* 5. Wartung Ihres Grills	95
* 6. Umweltleitfaden, Gewährleistungsbedingungen und Kontaktinformationen.....	98

Wichtige Sicherheitshinweise

Nur im Freien verwenden!

Lesen Sie die Anweisungen, bevor Sie das Gerät benutzen!

WARNUNG: Zugängliche Teile können sehr heiß sein. Halten Sie Kinder fern!

Bewegen Sie das Gerät während des Gebrauchs nicht!

Schalten Sie nach Gebrauch die Gaszufuhr an der Gasflasche ab!

1. Allgemeine Sicherheitsrichtlinien

- * Lesen Sie vor dem Gebrauch zunächst alle in diesem Handbuch enthaltenen Informationen sorgfältig durch.
- * Lassen Sie Kinder und Haustiere niemals in die Nähe dieses Grills kommen.
- * Dieser Grill darf niemals von Kindern, Personen mit geistigen Beeinträchtigungen oder Personen, die unter dem Einfluss von bewusstseinsenerweiternden Substanzen und/oder Medikamenten stehen, benutzt werden.
- * Halten Sie beim Anzünden und Bedienen dieses Grills immer so viel Abstand wie möglich.
- * Wechseln Sie die Gasflasche weit entfernt von jeder Zündquelle.
- * Die Gasflasche kann unter den Grill gestellt werden. Bei einem Tischgrillmodell entspricht dies nicht den Anforderungen.
- * Achten Sie darauf, dass der Gasschlauch beim Einbau des Gasreglers nicht geknickt wird.
- * Der mitgelieferte Gasregler sollte verwendet werden. Wenn ein neuer Gasregler installiert wird, ist darauf zu achten, dass er EN 16129 entspricht. Der Gasdruck muss mit dem auf dem Etikett des Grills angegebenen Gasdruck übereinstimmen.
- * Achten Sie darauf, dass das Gasventil an der Gasflasche in Reichweite ist, damit Sie die Gaszufuhr zum Grill abstellen können.
- * Löschen Sie alle Flammen und RAUCHEN SIE NICHT, während Sie das Gasventil öffnen und den Grill anzünden.
- * Dieser Grill wird extrem heiß, daher ist während des Betriebs äußerste Vorsicht und Aufmerksamkeit geboten.
- * Wenn Sie Gas riechen, überprüfen Sie vor der Benutzung, ob alle Brennstoffanschlüsse fest angezogen sind. Wenn der Gasgeruch anhält, drehen Sie das Gasventil ab und wenden Sie sich direkt an Ihre Verkaufsstelle.

- * Halten Sie brennbare und/oder entflammbare Stoffe, Gase, Flüssigkeiten und Materialien stets vom Grill fern und lassen Sie sie niemals direkt mit dem Grill in Berührung kommen.
- * Das Unterlassen und/oder falsche Befolgen der Anweisungen, Vorsichtsmaßnahmen, Sicherheitsrichtlinien, Warnungen und Gefahren, die in diesem Handbuch enthalten sind, kann zu Bränden oder Explosionen, zu Sachschäden und auch zu Körperverletzungen oder zum Tod führen.
- * Ausschließlich für den Haushaltsgebrauch und ausschließlich für die Zubereitung von Speisen bestimmt.
- * Ihr Grill kann mit Gasflaschen zwischen 5 kg und 6 kg verwendet werden. Die maximale Größe der Gasflasche sollte sein: Durchm. 300 mm, Höhe: 470 mm. Befolgen Sie die technischen Informationen wie im Anweisungshandbuch angegeben und erkundigen Sie sich bei Ihrem örtlichen Gasversorger nach einer geeigneten Gasflasche für Ihren Grill.
- * Vermeiden Sie es, den flexiblen Schlauch zu verdrehen, wenn das Gerät in Gebrauch ist. Die Länge des flexiblen Schlauchs darf 1,5 m nicht überschreiten. In Finnland darf die Länge 1,2 m nicht überschreiten. Der Schlauch sollte gemäß der geltenden EN-Norm zertifiziert sein und den örtlichen Vorschriften entsprechen.


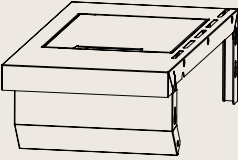
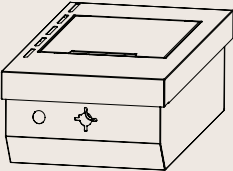
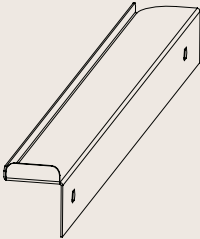
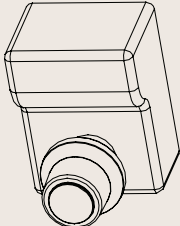
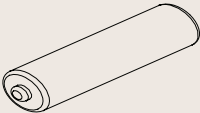
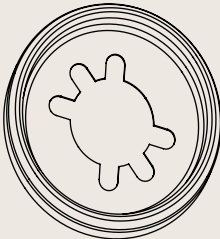
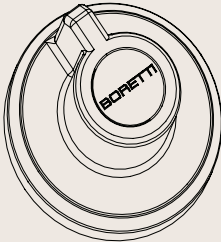

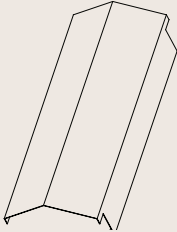
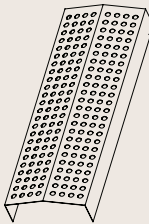

1.1 Zusammenbau

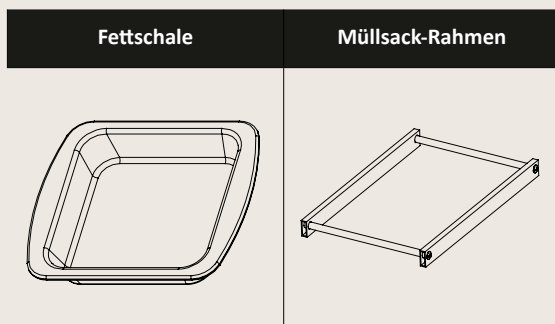
- * Bauen Sie den Grill entsprechend der in diesem Handbuch enthaltenen Zusammenbauzeichnung zusammen.
- * Ein falscher Zusammenbau oder die Nichteinhaltung der korrekten Reihenfolge des Zusammenbaus, wie in der Zeichnung dargestellt, kann zu sehr ernstesten Situationen führen.
- * Seien Sie beim Zusammenbau immer vorsichtig und präzise.
- * Alle Teile müssen wie in der Zusammenbauzeichnung gezeigt zusammengebaut werden. Wenn ein Teil fehlt und/oder Sie an der Richtigkeit des Zusammenbaus zweifeln, wenden Sie sich umgehend an Ihre Verkaufsstelle.
- * Reparieren oder ersetzen Sie niemals Teile dieses Geräts selbst, es sei denn, dies wird in diesem Handbuch ausdrücklich erwähnt.
- * Schließen Sie niemals einen beschädigten Gasschlauch an das Gerät an. Dies kann zu einem Brand führen.
- * Falls das Gerät mit einem Stecker ausgestattet ist, handelt es sich dabei um einen geerdeten Netzstecker, um Sie vor Stromschlägen zu schützen. Der Stecker muss an eine geeignete, geerdete Steckdose angeschlossen werden. Entfernen Sie NIEMALS die Metallplatten vom Stecker.
- * Nehmen Sie KEINE Veränderungen am Gerät vor.

1.2 Ort der Benutzung

- * Benutzen Sie den Grill nur im Freien (draußen) und in einem gut belüfteten Bereich. Benutzen Sie den Grill niemals innerhalb oder in einem (teilweise) geschlossenen Raum. Es können sich giftige Dämpfe bilden, die zu schweren Körperverletzungen oder zum Tod führen können.
- * Benutzen Sie den Grill niemals auf einer brennbaren oder entflammbaren Oberfläche.
- * Benutzen Sie den Grill nur auf einer harten, geraden und stabilen Fläche, die das Gewicht tragen kann.
- * Halten Sie einen Abstand von mindestens 3 Metern zwischen dem Grill und allen brennbaren und/oder entflammbaren Materialien (Holz, Kunststoff, Laub usw.) ein, wenn der Grill in Gebrauch ist.
- * Halten Sie den Grill immer von Benzin und/oder anderen brennbaren oder entflammbaren Flüssigkeiten, brennbaren Gasen, entflammbaren Dämpfen oder Bereichen, in denen Sie diese vermuten, fern.
- * Benutzen Sie den Grill niemals bei starkem Wind.
- * Stellen Sie sicher, dass der/die Hauptbrenner und der Infrarotbrenner an der Rückseite NIEMALS gleichzeitig eingeschaltet sind. Dies kann dazu führen, dass sich der Deckel des Grills verzieht oder knickt.
- * Der Grill wird extrem heiß, bewegen Sie ihn niemals während oder kurz nach dem Gebrauch.
- * Die meisten Boretti-Grillgeräte sind mit Rädern ausgestattet, wodurch sie leicht zu bewegen sind. Seien Sie vorsichtig, wenn Sie den Grill über unebenes Gelände bewegen, sonst können die Räder beschädigt werden.
- * Verwenden Sie den Grillspieß nicht bei Regen.
- * Bratpfannen, die in unserem Grill verwendet werden, können zwischen 130 mm und 220 mm groß sein.

2. Teileliste

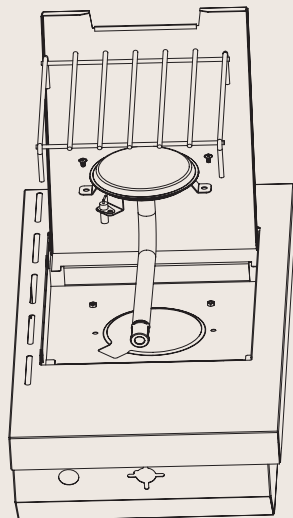
Grill	Linker Seitentisch	Rechter Seitenbrenner
		
Müllsack-Führungsschienen	Elektronischer Zünder	Batterie
		
Bedienring	Bedienknopf	Flammenbändiger I
		
Flammenbändiger II	Flammenbändiger III	Wärmerost
		



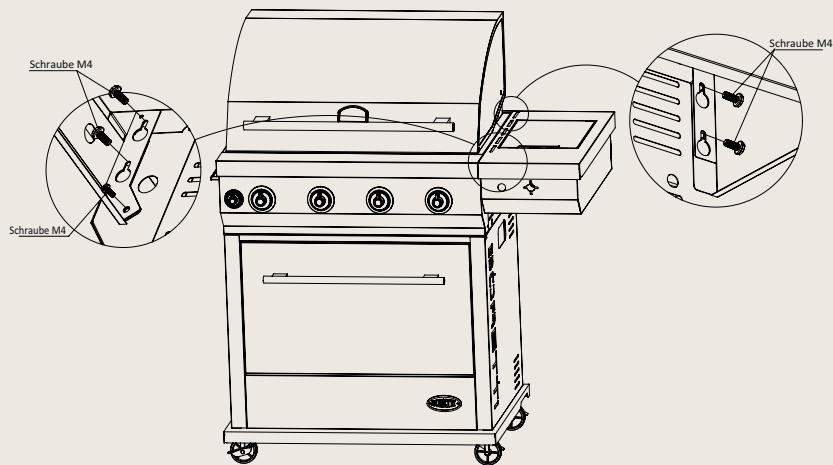
3. Zusammenbau-Zeichnungen

Schritt 1

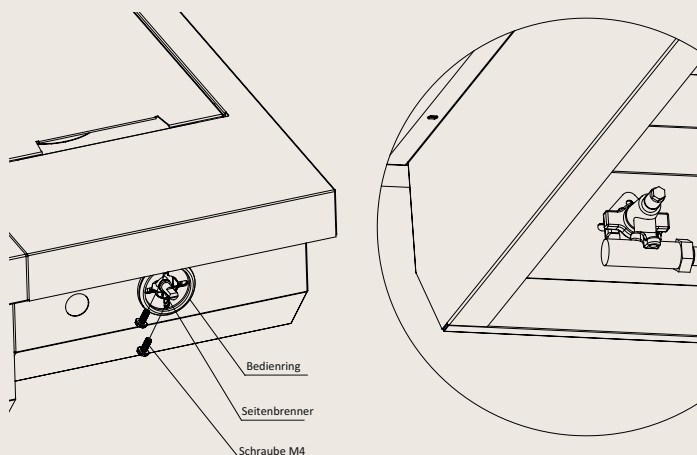
Entfernen Sie den Pfannenständer und lösen Sie die M4-Mutter und -Schraube, um den Seitenbrenner zu lösen.



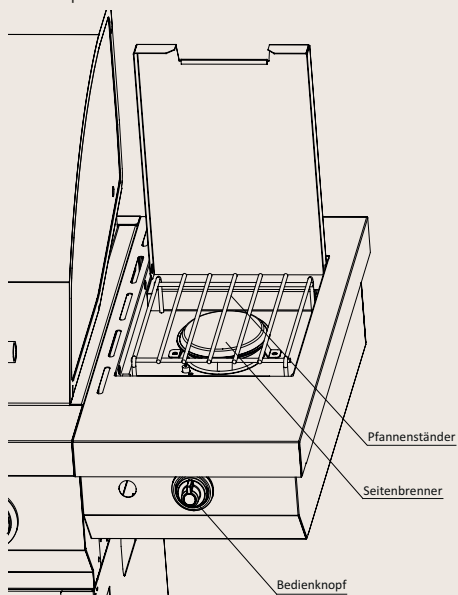
- Schritt 2** - a) Lösen Sie 4 M6-Schrauben und 1 M4-Schraube auf der rechten Seite des Grills um ca. 6 mm.
b) Schieben Sie die Aussparungen des Seitenbrenners über die gelösten Schrauben.
c) Ziehen Sie die Schrauben wieder fest an, um den Seitenbrenner zu sichern.



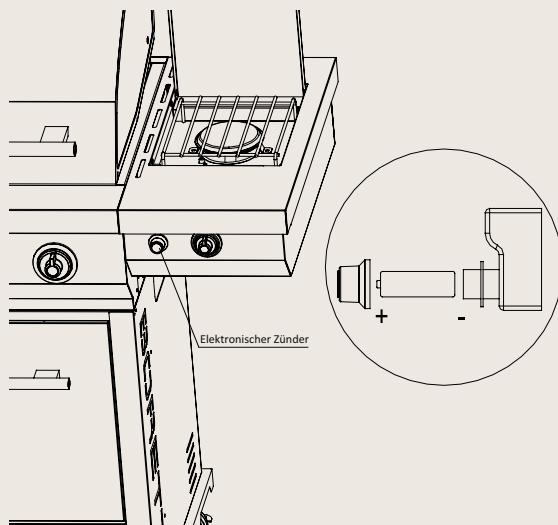
- Schritt 3** - a) Setzen Sie den mitgelieferten Bedienring auf den Seitenbrenner und ziehen Sie ihn mit der mitgelieferten M4-Schraube an.
 b) Setzen Sie die zweite M4-Schraube ein und ziehen Sie sie an, wobei darauf zu achten ist, dass das 'H' auf die Zündöffnung (linke Seite) zeigt.



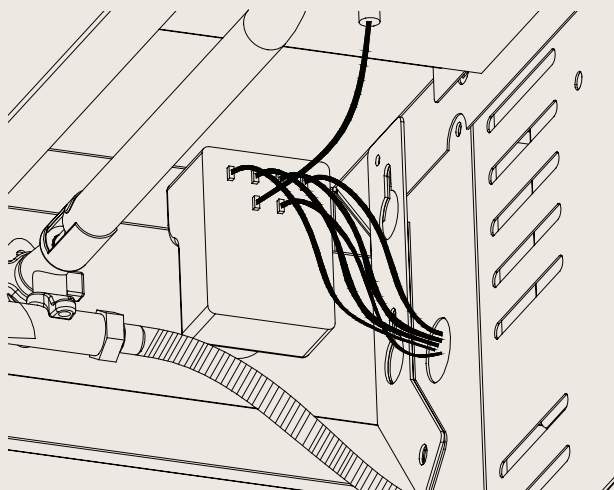
- Schritt 4** - a) Bringen Sie den Seitenbrenner mit 2 Schrauben M4 an. Bringen Sie den Pfannenständer wieder in Position.
 b) Bringen Sie den Bedienknopf an und stellen Sie sicher, dass die flache Seite des Knopfes mit der flachen Seite des Gasventils übereinstimmt.



- Schritt 5** - a) Schieben Sie den Schraubengewindeteil des Zünders durch die Öffnung an der Vorderseite des Seitenbrenners und bringen Sie die Sicherungsmutter an.
- b) Legen Sie die Batterie mit der Seite + nach vorn in die Halterung.
- c) Schrauben Sie das Oberteil auf den Zünder.

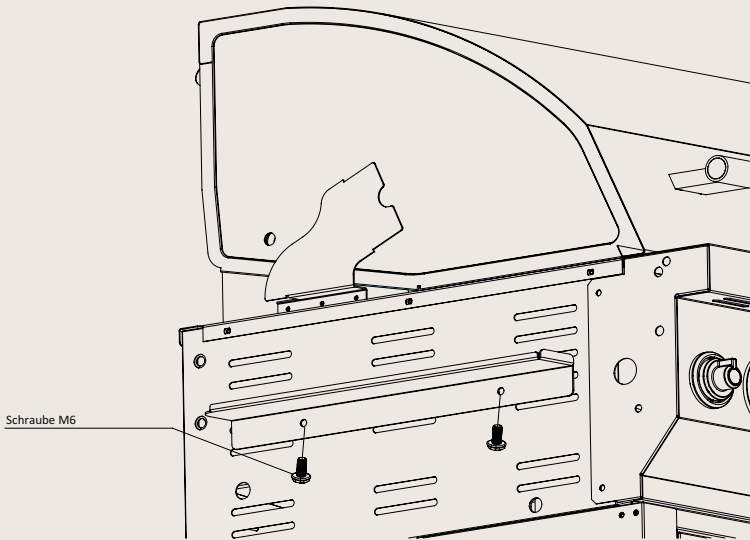


- Schritt 6** - a) Verbinden Sie das Ende des Zündkabels des Seitenbrenners mit dem elektronischen Zünder.
- b) Schließen Sie die fünf Drähte, die über die Seite des Grills hinausragen, an den elektronischen Zünder an.

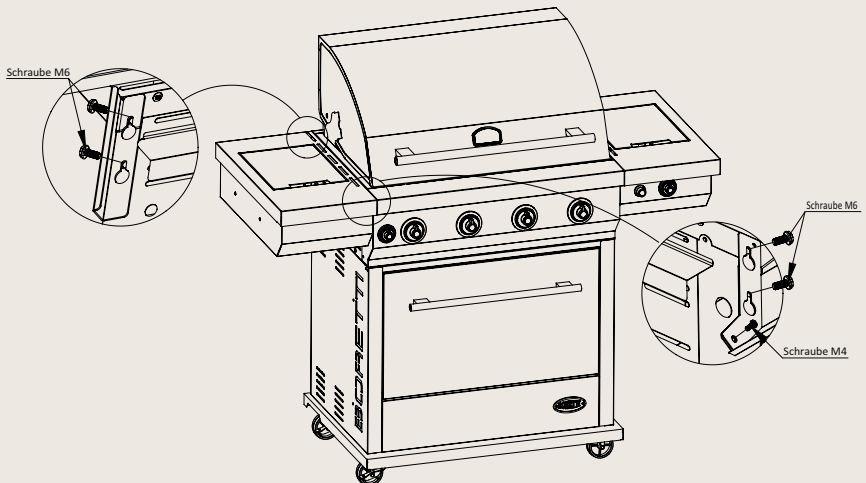


Schritt 7

Befestigen Sie die Müllsack-Führungsschiene links vom Grill und befestigen Sie sie mit 2 M6x10-Schrauben.

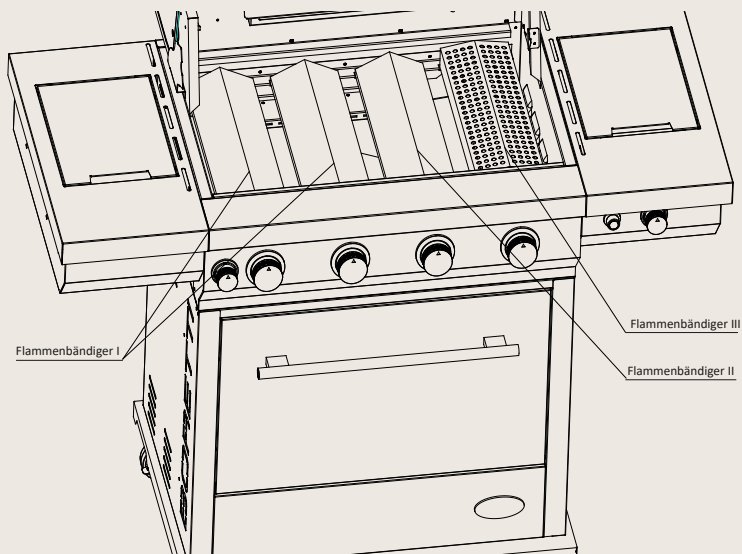


- Schritt 8** - a) Lösen Sie die 4 M6-Schrauben links vom Grill um ca. 6 mm. Lösen Sie 1 M4-Schraube vollständig.
 b) Schieben Sie den Seitentisch über die 4 gelösten M6-Schrauben.
 c) Ziehen Sie alle fünf Schrauben wieder fest an, um den Seitentisch sicher zu befestigen.



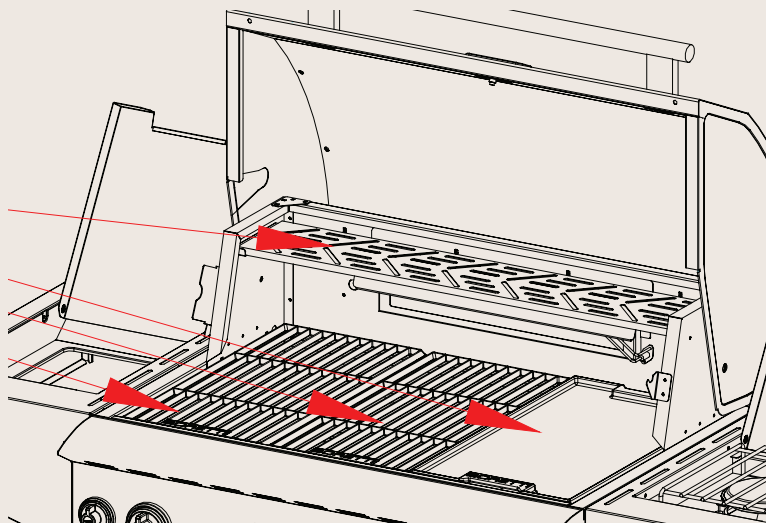
Schritt 9

Legen Sie die Flammenbänder mit der dreieckigen Seite nach oben in die Aussparungen. Achten Sie darauf, dass der Flammenbänder mit der langen Seite neben dem Infrarotbrenner platziert wird.



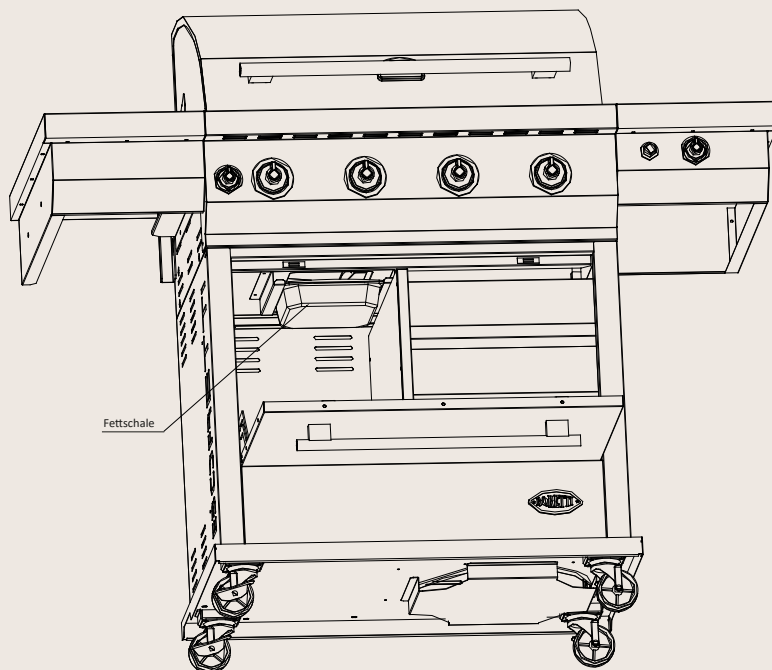
Schritt 10 - a) Stellen Sie die Roste auf die Leisten des Grills.

b) Positionieren Sie den Wärmerost.



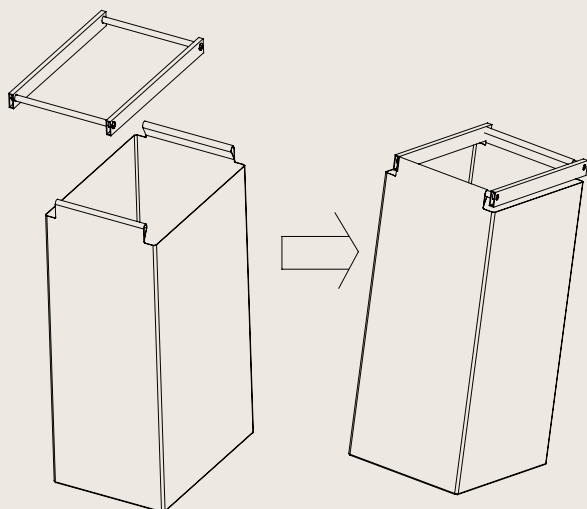
Schritt 11

Schieben Sie die Fettschale in die Führungsschienen unter den Brennern.

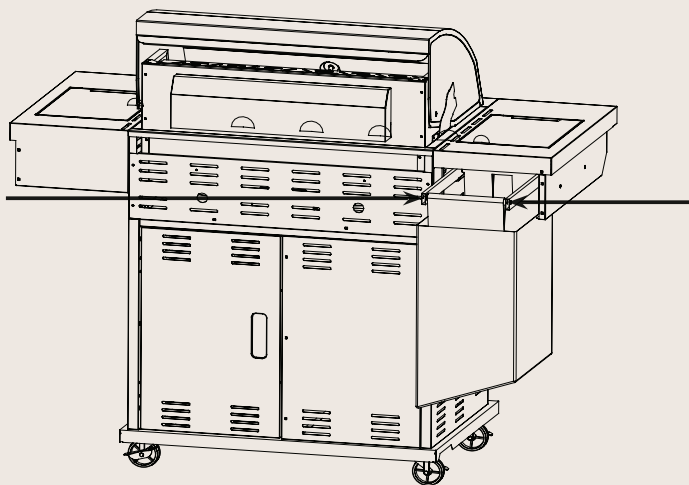


Schritt 12

Hängen Sie den Müllsack an seinen Rahmen.

**Schritt 13**

Schieben Sie den Rahmen mit dem Müllsack in die Führungsschienen.



4. Benutzung Ihres Grills

4.1 Allgemeine Informationen

Auch wenn alle Gasanschlüsse des Grills vor dem Transport auf Dichtheit geprüft werden, muss eine vollständige Prüfung am Ort des Zusammenbaus durchgeführt werden. Während des Transports oder des Zusammenbaus können Teile des Grills bewegt worden sein. Es ist auch möglich, dass der Gasdruck am Gerät zu hoch ist. Kontrollieren Sie regelmäßig das gesamte System auf Undichtigkeiten und überprüfen Sie das System sofort, falls Sie Gas riechen.



4.2 Gaslecktest

Führen Sie immer einen Gaslecktest durch, bevor Sie den Grill benutzen und wenn der Grill längere Zeit nicht benutzt wurde.

- * Löschen Sie offenes Feuer (beim Lecktest NICHT RAUCHEN).
- * Führen Sie diesen Gaslecktest niemals in der Nähe offener Flammen durch.
- * Stellen Sie eine Seifenlösung her, die zu gleichen Teilen aus Wasser und flüssiger Seife oder einem sanften Spülmittel besteht
- * Befolgen Sie die folgenden Schritte:
 1. Drehen Sie die Reglerknöpfe der Brenner auf aus.
 2. Entfernen Sie die Batterie aus der elektronischen Zündung.
 3. Öffnen Sie die Gasflasche.
 4. Tragen Sie die Seifenlösung auf alle Verbindungen der Gasversorgung auf.
Wenn sich keine Seifenblasen bilden, gibt es kein Gasleck. Wenn sich an einer Verbindung Seifenblasen zu bilden beginnen, deutet dies auf ein Leck hin. Falls Sie ein Leck feststellen, schalten Sie die Gaszufuhr sofort ab, ziehen Sie die undichten Verbindungen fest an, öffnen Sie die Gasflasche wieder und wiederholen Sie die Schritte 1 bis 4.
 5. Schalten Sie die Gaszufuhr ab.
 6. Schalten Sie die Reglerknöpfe der Brenner 10 Sekunden lang ein, um den Druck aus dem Schlauch entweichen zu lassen, und drehen Sie dann die Reglerknöpfe wieder auf aus.
 7. Entfernen Sie die Seifenlösung mit kaltem Wasser von den Verbindungen des Geräts und reiben Sie sie mit einem Tuch trocken. Überprüfen Sie alle Gasversorgungsverbindungen vor jedem Gebrauch und tun Sie dasselbe, wenn die Gasflasche an den Gasdruckregler angeschlossen wird.

Es wird empfohlen, den Gasschlauch jedes Jahr auf Dichtheit zu prüfen, auch wenn die Gasflasche nie vom Gerät getrennt wurde.

Hinweis:

Achten Sie darauf, dass Sie alle losen Verbindungen (einschließlich des Seitenbrenners) prüfen und bei Bedarf wieder nachziehen, wenn Sie das Gerät auf Dichtheit prüfen.

Selbst ein kleines Leck im System kann zu einer gefährlichen Situation führen.

Hinweis:

Heutzutage sind die meisten Gasflaschen mit einem Mechanismus ausgestattet, der Lecks im Inneren des Behälters aufspürt. Wenn das Gas zu schnell freigesetzt wird, unterbricht dieser Mechanismus die Gaszufuhr. Ein Leck kann die Gaszufuhr stark einschränken, wodurch das Anzünden des Grills erschwert wird.

Hinweis:

Wenn Sie ein Gasleck nicht abdichten können, schalten Sie die Gaszufuhr ab und wenden Sie sich an Ihre Verkaufsstelle. Selbst ein kleines Leck kann einen Brand verursachen.

Hinweis:

Wenn es Ihnen nach mehreren Versuchen nicht gelingt, den Grill anzuzünden, wenden Sie sich an Ihre Verkaufsstelle.

Hinweis:

Vergewissern Sie sich, dass sich die Reglerknöpfe in der Stellung "OFF" befinden, wenn Sie das Gerät nicht benutzen.

4.3 Anzünden des Grills

- * Überprüfen Sie den allgemeinen Zustand der Brenner (siehe 0). Wenn Sie Zweifel über den Zustand der Brenner haben, wenden Sie sich an Ihre Verkaufsstelle.
- * Stellen Sie sicher, dass der Grill auf einer ebenen Fläche steht.
- * **Dieses Gerät muss während des Betriebs von brennbaren Materialien ferngehalten werden.** Halten Sie den Garbereich sauber und frei von Benzin und/oder anderen brennbaren und/oder entflammenden Stoffen, brennbaren Gasen oder brennbaren Dämpfen.
- * Stellen Sie sicher, dass nichts die Brenner und die Lüftung blockiert.
- * Verwenden Sie keine Aluminiumfolie in der emaillierten Brennerschale oder um die Flammenverteiler herum.
- * Stellen Sie sicher, dass die Gasflasche ausreichend belüftet ist.

Achtung:

- * Zünden Sie den Grill nicht an, wenn Sie Gas riechen können!
- * Prüfen Sie den Gasschlauch auf Risse oder Abnutzung (siehe: GASLECKTEST).
- * Halten Sie beim Anzünden des Grills Ihr Gesicht und Ihren Körper so weit wie möglich vom Grill entfernt.

4.4 Anzünden der Brenner mit einem elektronischen Zünder

- * Stellen Sie sicher, dass sich alle Knöpfe in der Stellung "OFF" befinden.
- * Öffnen Sie immer den Deckel, bevor Sie den Grill anzünden.
- * Öffnen Sie die Gaszufuhr.

Hinweis:

Wenn Sie die Gasflasche öffnen, drehen Sie das Ventil LANGSAM zwei (2) ganze Umdrehungen, um die richtige Gaszufuhr zu erhalten.

- * Drücken Sie einen der Reglerknöpfe und drehen Sie ihn auf die Einstellung "HIGH". Sie hören dann ein knisterndes Geräusch. Es kann erforderlich sein, den Zünder etwa 10 Sekunden lang gedrückt zu halten.

Hinweis:

Wenn der Brenner nach 10 Sekunden nicht zündet, drehen Sie den Knopf zurück in die Stellung "OFF" und warten Sie 1 Minute, bevor Sie es erneut versuchen.

- * Wiederholen Sie die obigen Schritte auch für die anderen Brenner.

Hinweis:

Bei einigen Modellen muss neben dem Reglerknopf auch ein separater Zündknopf gedrückt werden.

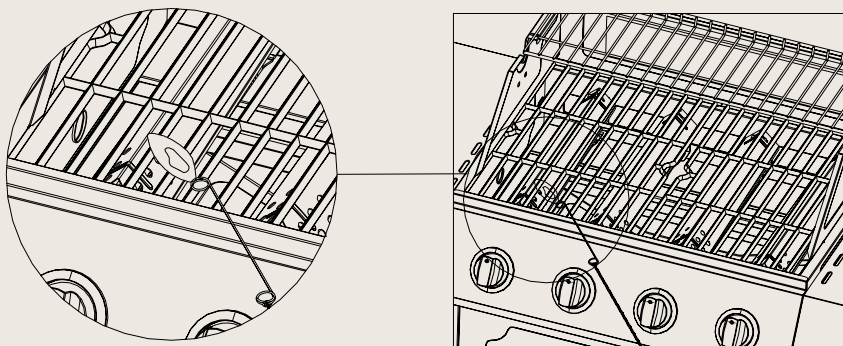
4.5 Anzünden der Brenner mit einem Streichholzverlängerer (falls vorhanden)

Gelingt es dem elektronischen Zünder nicht, die Brenner zu entzünden, ist es auch möglich, die Brenner mithilfe eines Streichholzes zu entzünden.

- * Stecken Sie das Streichholz in das Verlängerungsstück, wenn der Grill mit einem Streichholzverlängerer geliefert wird.
- * Halten Sie Ihr Gesicht so weit wie möglich vom Grill entfernt und richten Sie das verlängerte Streichholz durch die Öffnungen im Grill auf den Brenner.
- * Legen Sie das Streichholz in die Nähe der Brenneröffnungen und drehen Sie den Reglerknopf in die Stellung "HIGH".

Hinweis:

Wenn es Ihnen nach mehreren Versuchen immer noch nicht gelingt, den Grill anzuzünden, wenden Sie sich bitte an Ihre Verkaufsstelle.



4.6 Anzünden des Seitenbrenners mit dem elektronischen Zünder

- * Drücken Sie den Reglerknopf und drehen Sie ihn in die Stellung "HIGH". Sie hören dann ein knisterndes Geräusch.
- * Es kann erforderlich sein, den Zünder etwa 10 Sekunden lang gedrückt zu halten.
- * Wenn der Brenner nach 10 Sekunden nicht zündet, drehen Sie den Knopf zurück in die Stellung "OFF" und warten Sie 1 Minute, bevor Sie es erneut versuchen.

4.7 Anzünden des Seitenbrenners mit Streichhölzern

Gelingt es dem elektronischen Zünder nicht, den Brenner zu entzünden, ist es auch möglich, den Brenner mithilfe eines Streichholzes zu entzünden.

- * Stecken Sie das Streichholz in das Verlängerungsstück, wenn der Grill mit einem Streichholzverlängerer geliefert wird.
- * Halten Sie Ihr Gesicht so weit wie möglich vom Grill entfernt und richten Sie das (verlängerte) Streichholz auf die Brenneröffnungen.
- * Drücken Sie den Reglerknopf und drehen Sie ihn in die Stellung "HIGH".

Hinweis:

Wenn es Ihnen nach mehreren Versuchen immer noch nicht gelingt, den Grill anzuzünden, wenden Sie sich bitte an Ihre Verkaufsstelle.

4.8 Lagerung

- * Nachdem Sie Ihren Grill benutzt haben, schließen Sie die Gaszufuhr und lassen Sie das Gerät abkühlen.
- * Entfernen Sie die Gasflasche.
- * Bewahren Sie den Grill an einem gut belüfteten Ort auf und halten Sie Kinder vom Gerät fern.
- * Legen Sie keine leicht brennbaren Materialien unter den Grill.
- * Wenn Sie den Grill im Freien lagern, verwenden Sie eine Abdeckung, um Ihren Grill vor Wind und Wetter zu schützen. Wenn Sie den Grill im Freien lagern, entfernen Sie die Abdeckung regelmäßig, um zu verhindern, dass sich übermäßiges Kondenswasser (das zu Oxidation führen kann) auf den Metallteilen bildet.
- * Lassen Sie den Grill abkühlen, bevor Sie die Abdeckung über den Grill legen oder versuchen, das Gerät zu bewegen.

4.9 Benutzung

- * Der Grill wird extrem heiß, verwenden Sie hitzebeständige Handschuhe, wenn Sie den Grill benutzen. Berühren Sie den Grill nicht ohne den richtigen Schutz.
- * Verwenden Sie für die Zubereitung von Speisen auf dem Grill geeignetes Grillbesteck.

5. Wartung Ihres Grills

Wichtig:

Lassen Sie den Grill NIEMALS im Freien stehen, ohne ihn abzudecken. Regenwasser könnte sich im Grill, im Rahmen oder im Fettauffangbehälter sammeln. Wenn der Fettauffangbehälter nach dem Gebrauch nicht gereinigt wurde und der Grill unbedeckt ist, kann sich die Schale mit Wasser füllen, wodurch Wasser und Fett in den Rahmen laufen. Wir empfehlen Ihnen, den Fettauffangbehälter nach jedem Gebrauch zu reinigen.

Wichtig:

Vom Hersteller oder seinem Vertreter versiegelte Teile dürfen vom Benutzer nicht manipuliert werden; an keinem Teil dieses Grills dürfen Veränderungen vorgenommen werden.

5.1 Reinigung

Verwenden Sie keine scheuernden Reinigungsmittel auf dem Grill. Diese können Kratzer oder Schäden an der Oberfläche verursachen. Verwenden Sie lauwarmes Wasser zusammen mit einem weichen Schwamm oder Tuch, um die Metallteile des Grillgestells zu reinigen.

- * Erwärmen Sie den Grill, indem Sie die Hauptbrenner auf höchster Stufe anzünden und den Deckel schließen. **Schalten Sie den/die Infrarotbrenner nicht ein!**
- * Lassen Sie den Grill circa 10 Minuten lang auf 250 Grad (Celsius) aufwärmen.
- * Schalten Sie die Brenner aus und lassen Sie das Gerät abkühlen, bevor Sie mit der Reinigung beginnen.
- * Reinigen Sie die Roste und Backbleche mit einer geeigneten Reinigungsbürste (erhältlich im Boretti-Webshop).
- * Entfernen Sie die Backkruste und das Backblech.
- * Bürsten Sie verkohlte (Lebensmittel-)Reste in Richtung Fettauffangbehälter.
- * Entfernen Sie den Fettauffangbehälter und reinigen Sie diesen mit warmem Wasser und Reinigungsmittel.
- * Reinigen Sie die Außenseite des Grills mit warmem Wasser und Reinigungsmittel.
- * Trocknen Sie den Grill mit einem weichen, sauberen Tuch ab.

5.2 Fettauffangbehälter

Der Fettauffangbehälter muss regelmäßig gereinigt werden, um eine Ansammlung von Schmutz und Rückständen zu vermeiden.

Hinweis:

Stellen Sie sicher, dass der Fettauffangbehälter abgekühlt ist, bevor Sie ihn reinigen.

5.3 Grillroste

Die Grillroste können unmittelbar nach dem Garen, nach dem Ausschalten des Grills, mit einer geeigneten Reinigungsbürste gereinigt werden. Die Reinigung der Grillroste mit Wasser und einem Entfetter erhöht das Risiko von Oxidation/Rost. Sie können dem entgegenwirken, indem Sie die Grillroste nach der Reinigung mit etwas Olivenöl bestreichen.

5.4 Edelstahl

Nach dem ersten Gebrauch können sich Teile des Grills durch die intensive Hitze, die von den Brennern ausgeht, verfärben. Dies ist normal.

Kaufen Sie ein Reinigungsmittel für Edelstahl und verwenden Sie dieses, wenn Sie das Metall mit einer Bürste reinigen. Es ist möglich, dass Fettflecken auf die Edelstahlteile fallen und angebrannt werden, was dazu führen kann, dass einige Teile abgenutzt aussehen. Verwenden Sie ein Reinigungsmittel, das nicht scheuernd ist, zusammen mit einem Reinigungsmittel für Edelstahl, um das Fett zu entfernen.

5.5 Wechseln der Batterie an der Zündung (falls vorhanden)

Drehen Sie den Knopf an der Zündung lose und entfernen Sie die AA-Batterie. Setzen Sie eine neue AA-Batterie ein.

5.6 Emaillierte Teile

Einige Teile des Grills sind emailliert. Emaille ist ein Produkt auf Glasbasis und sehr haltbar sowie verschleißfest. Sie ist jedoch nicht widerstandsfähig gegen Stöße und Schläge, die Haarrisse verursachen können. Die Haarrisse können dazu führen, dass kleine Stücke der Emaille abbrechen, was zu Rostbildung führt. Die Leistung Ihres Grills wird durch die abgebrochenen Stücke oder Haarrisse nicht beeinträchtigt. Für Schäden an der Emaille im Garbereich nach dem Gebrauch können keine Ansprüche geltend gemacht werden.

5.7 Lüftung

Die Brenner können nur dann richtig funktionieren, wenn die von ihnen erzeugte Wärme auch entweichen kann. Wenn dies nicht möglich ist, erhalten die Brenner möglicherweise nicht genügend Sauerstoff, was zu Rückzündungen führen kann, insbesondere wenn die Brenner auf "HIGH" eingestellt sind. Wenn dies regelmäßig geschieht, kann es dazu führen, dass die Brenner Risse entwickeln. Aus diesem Grund befinden sich um den Grill herum Lüftungsöffnungen. Diese lassen die heiße Luft entweichen. Stellen Sie immer sicher, dass um den Garbereich herum

genügend Platz vorhanden ist (die Roste lassen genügend Platz). Decken Sie die Lüftungsöffnungen niemals mit Aluminiumfolie oder anderen Materialien ab, die den Luftstrom behindern können. Lassen Sie den Garbereich NIEMALS vollständig bedeckt, z. B. durch eine große Pfanne oder durch vollständiges Füllen mit Grillschalen.

5.8 Ersetzen des Gasschlauchs

Der Gasschlauch sollte alle zwei Jahre ersetzt werden. Gummigassschläuche können austrocknen, was zu Gasaustritten führen kann.

5.9 Brenner

Es ist normal, dass sich um die Brenner Rost (Oxidation) bildet. Essensreste müssen regelmäßig entfernt werden. Dies kann mit Hilfe einer Grillreinigungsbürste erfolgen. Die Brenner müssen regelmäßig zur Inspektion und Reinigung entfernt werden, insbesondere nach einer Periode der Nichtbenutzung/Lagerung. Die Brenner müssen auf ihren allgemeinen Zustand und daraufhin überprüft werden, dass die Öffnungen nicht verstopft sind. Die Brenner können mithilfe einer Bürste gereinigt werden. Beim Ausbau der Brenner ist darauf zu achten, dass das Gasventil und die Zündelektrode nicht beschädigt werden.

Im ersten Teil des Brenners wurde absichtlich eine Öffnung angebracht, um sicherzustellen, dass genügend Sauerstoff zugeführt werden kann, um ein brennbares Gemisch zu bilden. Das bedeutet, dass Sie eine kleine Öffnung sehen werden, genau dort, wo das Gasventil mit dem Brenner verbunden ist. Daraus tritt kein Gas aus.

5.10 Spinnen und Insekten

Spinnen und Insekten können sich in den Brennern des Grills einnisten, was dazu führen kann, dass Gas von der Vorderseite des Brenners strömt. Dies ist eine gefährliche Situation, die ein Feuer hinter dem Bedienfeld verursachen kann. Dadurch wird der Grill beschädigt, der dann nicht mehr sicher zu bedienen ist. Wir empfehlen Ihnen daher, den Grill mindestens einmal pro Jahr auf Spinnen, Insekten und Nester zu überprüfen (insbesondere nach langer Lagerung). Sie können dies tun, indem Sie die Brennerrohre demontieren und durchblasen oder sauber bürsten.

6. Umweltleitfaden, Gewährleistungsbedingungen und Kontaktinformationen



Wenn Sie, aus welchem Grund auch immer, Ihren Gasgrill entsorgen möchten, beachten Sie bitte die folgenden Vorgaben:

- * Liefern Sie den Grill an das autorisierte örtliche Unternehmen für die Sammlung von überschüssigen Haushaltsgeräten. Erkundigen Sie sich bei Ihrer Gemeindeverwaltung, wo sich diese Sammelstellen befinden.
- * Dieser Grill ist mit dem Zeichen versehen, welches aussagt, dass dieses Gerät den europäischen Richtlinien 2002/96EG über die Entsorgung von Geräten entspricht. Diese Richtlinie legt die Norm für die Sammlung und das Recycling von entsorgten Geräten fest. Sie gilt für das gesamte Gebiet der Europäischen Union.

Für Grillzubehör, Garantie, Servicebedingungen und andere Fragen verweisen wir Sie an

www.boretti.com

Sie können Ihre Fragen und Anregungen auch senden an

info@boretti.com

Boretti BV

Abberdaan 114

1046 AA Amsterdam

Appliance name: Gas grill

Model number: Maggiore

Category: I3+, I3B/P(30)

Q.: Total 21.6 kW (1572 g/h)

Injector size	Main burners 11.1kW	IR Back 3.7kW	Side burner 3.6kW	IR Bottom 3.2kW
	Main burners 0.93	IR Back 0.93	Side burner 0.92	IR Bottom 0.85



Country	Category	Gas type	Pressure (mbar)	WARNING
BE	I3+	But	28-30	
	I3+	Propan	37	Il faudra utiliser un détendeur approprié.
BG	I3B/P(30)	бѳтан	29	
	I3B/P(30)	пропан	29	
CY	I3+	βουτάνιο	28-30	
	I3+	προπάνιο	37	Απαιτείται άλλος ρυθμιστής πίεσης αερίου.
	I3B/P(30)	βουτάνιο	29	
	I3B/P(30)	προπάνιο	29	
CZ	I3+	Butan	28-30	
	I3+	Propan	37	Vyžaduje se jiný regulátor tlaku plynu.
	I3B/P(30)	Butan	29	
DK	I3B/P(30)	Propan	29	
	I3B/P(30)	Propan	29	
EE	I3B/P(30)	Butaani	29	
	I3B/P(30)	Propani	29	
ES	I3+	Butano	28-30	
	I3+	Propano	37	Se necesita otro regulador de presión de gas.
FI	I3B/P(30)	Butaani	29	
	I3B/P(30)	Propani	29	
FR	I3+	Butane	28-30	
	I3+	Propane	37	Il faudra utiliser un détendeur approprié.
GB	I3+	Butane	28-30	
	I3+	Propane	37	Other gas pressure regulator required.
GR	I3+	βουτάνιο	28-30	
	I3+	προπάνιο	37	Απαιτείται άλλος ρυθμιστής πίεσης αερίου.
HR	I3B/P(30)	Butan	29	
	I3B/P(30)	Propan	29	
	I3B/P(30)	Butángáz	29	
HU	I3B/P(30)	Propán	29	
	I3+	Butane	28-30	
IE	I3+	Propane	37	Other gas pressure regulator required.
	I3B/P(30)	Bután	29	
IS	I3B/P(30)	Própan	29	
	I3+	Butano	28-30	
IT	I3+	Propano	37	È necessario un altro regolatore della pressione del gas.
	I3B/P(30)	Butano	29	
	I3B/P(30)	Propano	29	
LT	I3+	Butanas	28-30	
	I3+	Propano	37	Būtinias kitas duju slėgio regulatorius.
	I3B/P(30)	Butanas	29	
LV	I3B/P(30)	Propano	29	
	I3+	Butāns	28-30	
	I3+	Propāns	37	
MT	I3B/P(30)	Butāns	29	
	I3B/P(30)	Propāns	29	
	I3B/P(30)	Butan	29	
NL	I3B/P(30)	Propan	29	
	I3B/P(30)	Butaan	29	
NO	I3B/P(30)	Propan	29	
	I3B/P(30)	Butan	29	
PT	I3+	Butano	28-30	
	I3+	Propano	37	Outro regulador de pressão de gás necessário.
RO	I3B/P(30)	Butan	29	
	I3B/P(30)	Propan	29	
SE	I3B/P(30)	Butan	29	
	I3B/P(30)	Propan	29	
SI	I3+	Butan	28-30	
	I3+	Propan	37	Zahtevan je drug regulator za tlak plina.
	I3B/P(30)	Butan	29	
TR	I3B/P(30)	Propán	29	
	I3B/P(30)	Butan	29	

Boretti BV

Abberdaan 114 | 1046 AA Amsterdam | The Netherlands

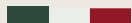
www.boretti.com

 2531/22
 PIN: 2531CU-0105

Made in PRC



Passione in Cucina



MAGGIORE AN

DK | BRUGANVISNING

www.boretti.com

Forord

Tillykke med købet af din nye grill. Vi er overbeviste om at du, med din lidenskab for det at grille og livet udendørs, forvandler en almindelig sommeraften til en pragtfuld *buona sera* og din have til en *giardino*.

Squadra Boretti

Læs og gem denne brugsanvisning omhyggeligt!

Denne brugsanvisning indeholder specifikke instruktioner til din sikkerhed, montering, betjening og vedligeholdelse af din grill. Brug grillen udelukkende som angivet i denne brugsanvisning. Sund fornuft og varsomhed er et absolut *must*!

Indholdsfortegnelse

* 1. Generelle Sikkerhedsforskrifter	102
* 2. Komponenter	105
* 3. Montagetegning	107
* 4. Anvendelse af din grill.....	114
* 5. Vedligeholdelse af din grill	119
* 6. Miljøretningslinje, Garantibetingelser & Kontaktinformation	122

Vigtige sikkerhedsoplysninger

Brug kun udendørs!

Læs vejledningen, inden apparatet tages i brug!

ADVARSEL: Tilgængelige dele kan være meget varme. Hold små børn væk!

Flyt ikke apparatet under brug!

Sluk for gasforsyningen på gasflasken efter brug!

1. Generelle Sikkerhedsforskrifter

- * Læs *først* al information angivet i denne brugsanvisning godt igennem før brug
- * Lad børn og husdyr *aldrig* i nærheden af denne grill.
- * Denne grill må *aldrig* betjenes af børn, mennesker med et mentalt handicap eller mennesker, der er påvirkede af euforiserende midler og/eller medicin.
- * Hold altid så stor mulig afstand ved antændelse og brug af denne grill.
- * Skift gascylindere langt væk fra alt der kan være brandfarligt.
- * Gasflasken kan placeres under grillen. Dette er dog ikke gældende for en grill model med bord.
- * Vær opmærksom på at gaslangen ikke folder under installationen af gasregulatoren.
- * Den medfølgende gasregulator skal bruges. Hvis en ny gasregulator er installeret, skal du være opmærksom på, at den overholder EN 16129. Gastrykket skal være det samme som indikeret på grillen.
- * Sørg for at gashanen på gasflasken er indenfor rækkevidde, således at du kan lukke for gasforsyningen til grillen.
- * Sluk alle flammer og RYG IKKE når der lukkes op for gashanen og ved antændelse af grillen.
- * Denne grill bliver meget varm, yderste agtpågivenhed og opmærksomhed er nødvendigt ved brug.
- * Hvis du kan lugte gas, kontroller da, før brug, om alle brændstofslutninger sidder godt fast. Hvis gaslugten ikke er forsvundet, luk da for gashanen og tag kontakt til dit salgssted med det samme.
- * Hold brandfarlige og/eller antændelige stoffer, gasser, væsker og materialer altid væk fra grillen og lad disse aldrig komme i direkte kontakt med grillen.
- * Undladelse og/eller ikke korrekt opfølgning af de instruktioner, forholdsregler,
- * sikkerhedsforskrifter, advarsler og farer der er angivet i denne brugsanvisning, kan medføre brand eller eksplosion, materiel skade og kan endda endelig have alvorlig personskade eller dødsfald som følge.

- * Udelukkende til husholdningsbrug og udelukkende beregnet til tilberedning af mad.
- * Din grill kan bruges med gasflasker mellem 5 kg og 6 kg. Den maksimale størrelse af gasflasken skal være: Dia. 300 mm, Højde: 470 mm. Følg de tekniske oplysninger som angivet i brugsanvisningen, og kontakt din lokale gasleverandør for at få fat i en passende gasflaske til din grill.
- * Undgå at vride eller dreje den bøjelige slange, når apparatet er i brug. Den fleksible slange må ikke være længere end 1,5 m. I Finland må den ikke være længere end 1,2 m. Slangen skal certificeres i henhold til den gældende EN-standard og overholde den lokale kode.

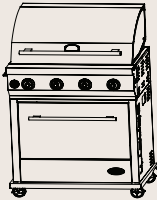
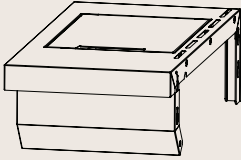
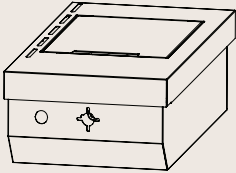
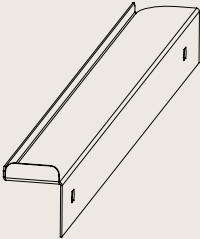
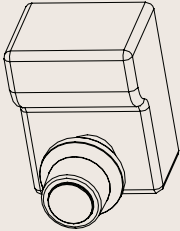

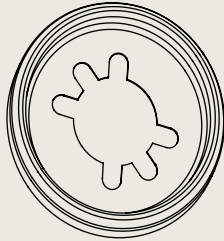
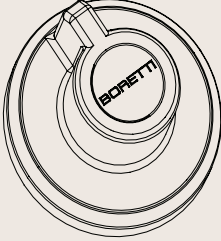
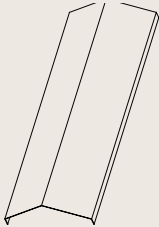
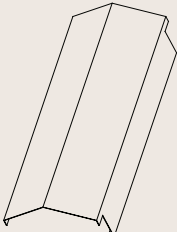
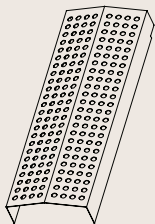

1.1 Montage

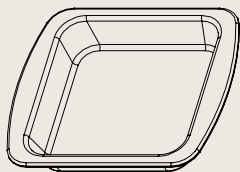
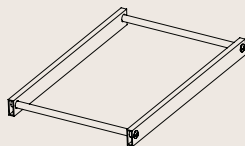
- * Monter grillen i henhold til samlingstegningen som indeholdt i denne vejledning.
- * Det kan føre til meget alvorlige situationer, hvis den samles forkert, eller hvis den ikke samles i den rækkefølge, der fremgår af tegningen.
- * Pas altid på, og vær præcis under samling.
- * Alle dele skal samles som vist på samlingstegningen. Hvis en del mangler, og/eller du er i tvivl, om du har samlet den rigtigt, skal du straks kontakte salgsstedet.
- * Du må aldrig selv reparere eller udskifte dele af dette udstyr, medmindre dette er udtrykkeligt nævnt i denne vejledning.
- * Tilslut aldrig en beskadiget gasslange til udstyret. Dette kan føre til brand.
- * I tilfælde af, at udstyret er forsynet med et stik, vil det være et jordforbundet hovedstik for at beskytte dig mod elektriske stød. Stikket skal tilsluttes en passende, jordet stikkontakt. Tag ALDRIG metalpladerne ud af stikket.
- * Du må IKKE foretage ændringer på apparatet.

1.2 Anvendelsessted

- * Anvend grillen udelukkende udendørs (udenfor) og i godt ventilerede omgivelser. Anvend aldrig grillen indendørs eller i rum der (delvist) er lukkede. Giftige dampe ophober sig og disse forårsager meget alvorlige personskader eller har døden som følge.
- * Anvend *aldrig* grillen på et brandbart og/eller brandfarligt underlag.
- * Anvend grillen udelukkende på et hårdt, jævnt og stabilt underlag, der kan bære grillens vægt.
- * Hold minimalt 3 meter afstand mellem grillen og *alle* brændbare og/eller brandfarlige materialer (træ, plastik, beplantning etc.), når grillen er i brug.
- * Hold altid grillen væk fra benzin og/eller andre brændbare og/eller brandfarlige væsker, brændbare gasser, brændbare dampe eller omgivelser, hvor der er mistanke om at disse forefindes.
- * Anvend *aldrig* grillen ved hård vind.
- * Sørg for at hovedbranderen(erne) og den infrarøde brander på bagsiden ALDRIG er tændte samtidigt. Dette kan medføre krumninger i grillens låg.
- * Grillen bliver meget varm, flyt den *aldrig*, når den er i brug eller kort derefter.
- * De fleste Boretti grille har hjul som gør dem nemme at flytte. Flyt grillen forsigtig over ujævnt terræn; Ved skødesløs flytning, kan hjulene blive beskadiget.
- * Anvend ikke grillspyd i regnvejr.
- * Der kan bruges gryder med en størrelse på mellem 130 og 220 mm på vores grill.

2. Komponenter

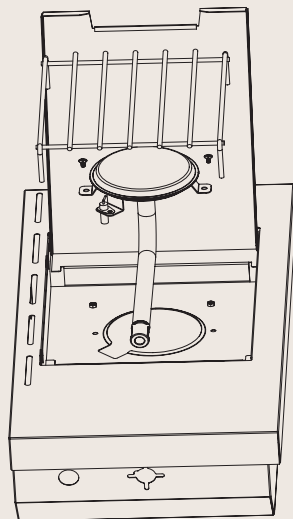
<p>Grill</p>	<p>Venstre sidebord</p>	<p>Højre sidebrænder</p>
		
<p>Affaldspose styreskiner</p>	<p>Elektronisk tænder</p>	<p>Batteri</p>
		
<p>Knapping</p>	<p>Knap</p>	<p>Flammefordeler I</p>
		
<p>Flammefordeler II</p>	<p>Flammefordeler III</p>	<p>Varmholdningsrist</p>
		

Fedtbeholder**Affaldsposestativ**

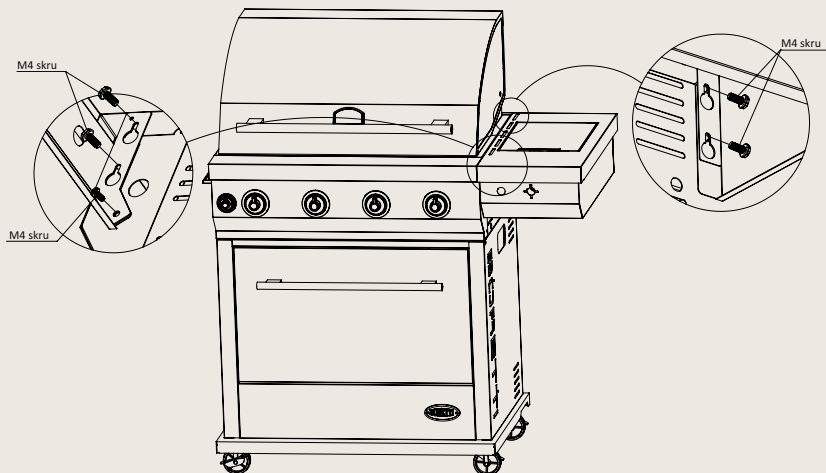
3. Montagetegning

Trin 1

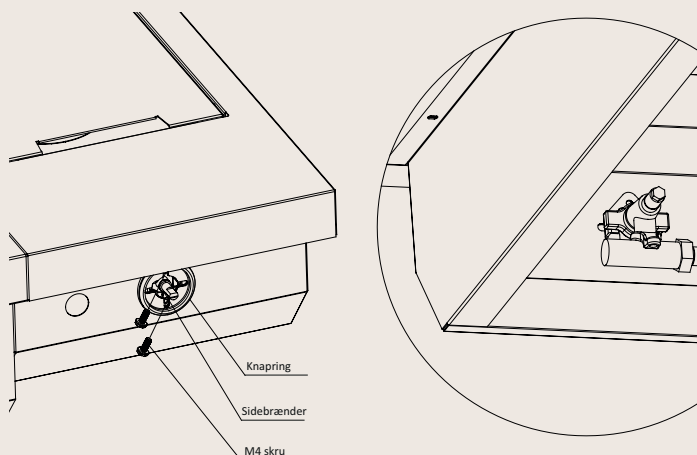
Fjern grydeholderen og drej M4 møtrikken løs for at løsne sidebrænderen.



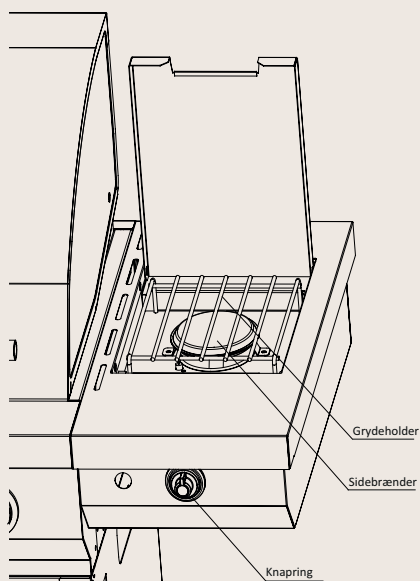
- Trin 2** - a) Drej de 4 x M6 og 1 x M4 skruer på grillens højre side cirka 6 mm løs.
 b) Skub sidebrænderen med udsparringen over de skruer, som du netop har løsnet.
 c) Skru skrueerne fast igen for at fastgøre brænderne.



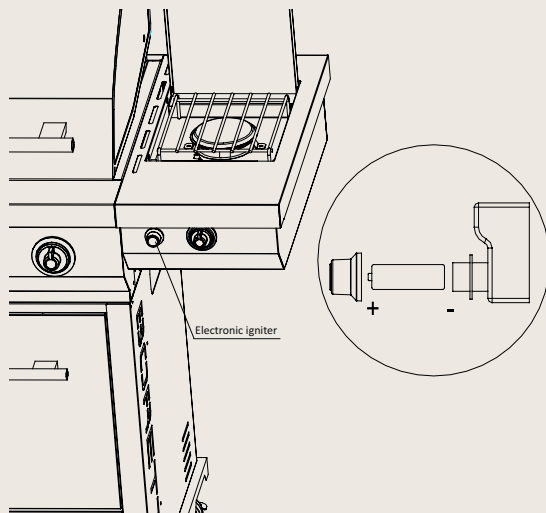
- Trin 3** - a) Anbring den vedlagte knapring på sidebrænderen og skru denne fast med den vedlagte M4 skrue.
- b) Anbring den anden M4 skrue og skru denne fast og sørg for at 'H'et er rettet mod tændingshullet (venstre side).



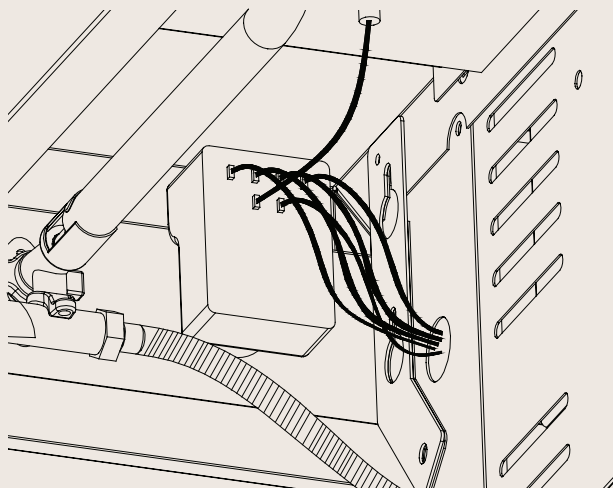
- Trin 4** - a) Installer sidebrænderen med 2 x M4 skrue. Sæt grydeholderen tilbage igen.
- b) Installer betjeningsknappen og sørg for at knappens flade side passer med gashanens flade side.



- Trin 5** - a) Skub tænderens skruegevind igennem hullet på forsiden af sidebrænderen og anbring låsemøtrikken.
- b) Anbring batteriet i holderen med + siden forrest.
- c) Skru låget på tænderen.

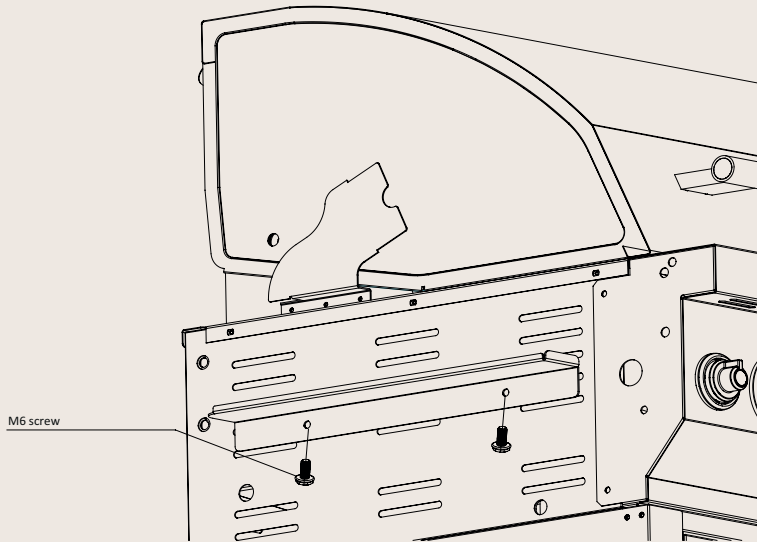


- Trin 6** - a) Forbind enden af idebrænderens tændingsledning med den elektroniske tænder.
- b) Forbind de fem tråde, der kommer ud af grillens side, med den elektroniske tænder.



Trin 7

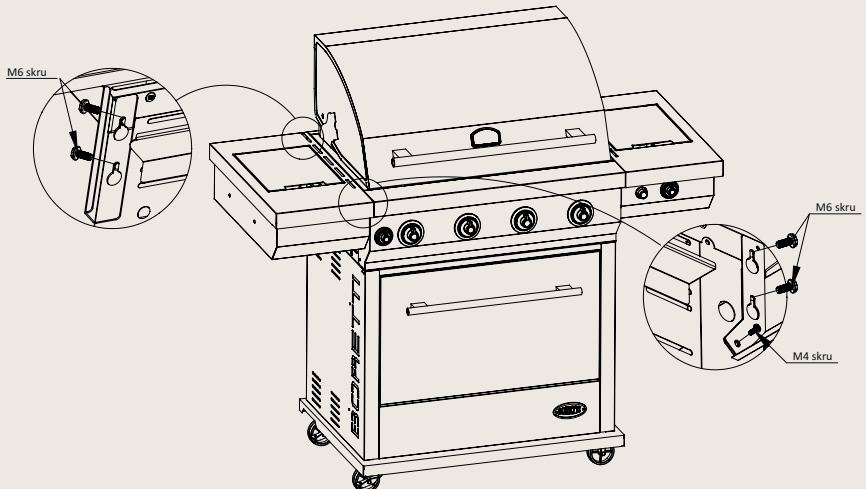
Monter affaldspens styreskinne på grillens venstre side og fastgør denne med 2x M6x10 skruer.



Trin 8 - a) Skru de 4 x M6 skruer cirka 6 mm løs på grillens venstre side. Skru 1 x M4 skru helt løs.

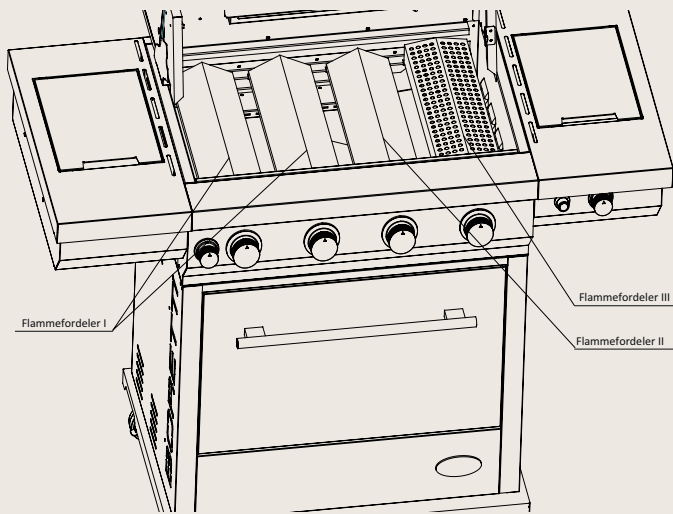
b) Skub sidebordet over de fire løse M6 skruer.

c) Skru de fem skruer fast igen, for at fastgøre sidebordet.



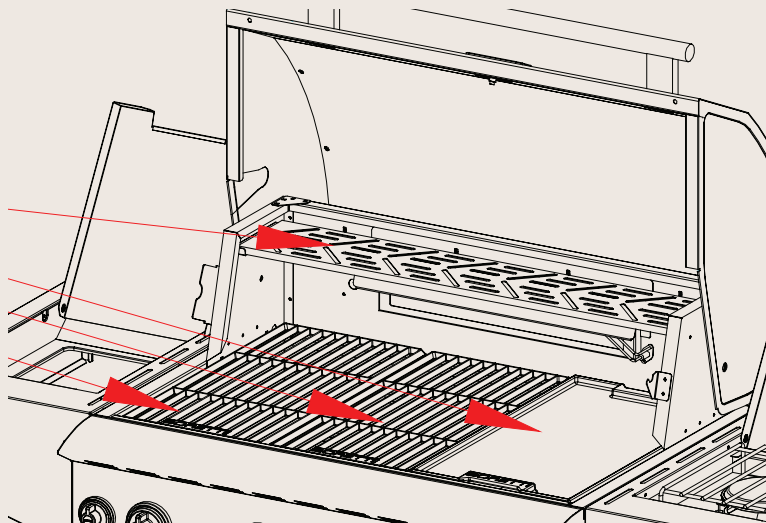
Trin 9

Anbring flammefordelerne i udsparingerne med den trekantede side øverst. Sørg for at flammefordelerne med den lange side placeres ved siden af den infrarøde brænder.



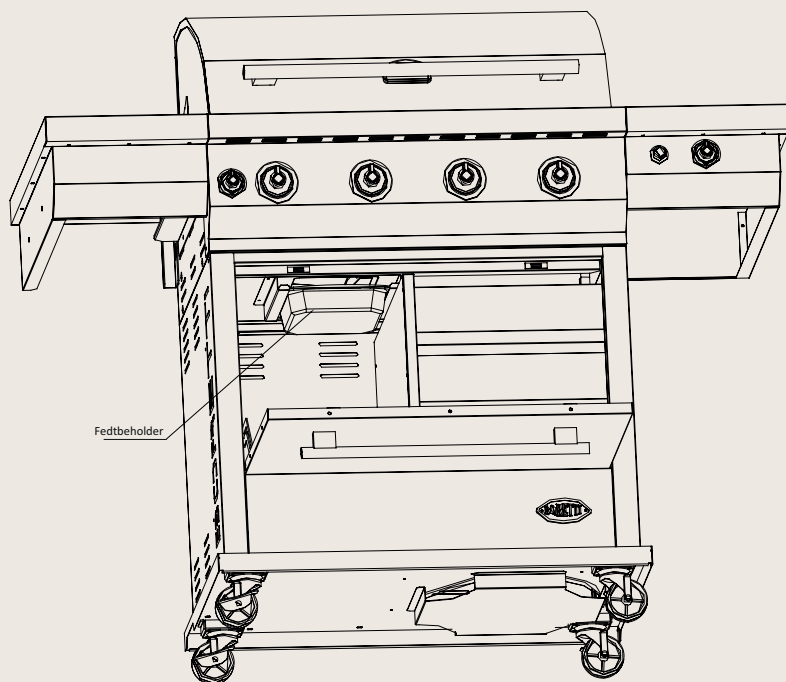
Trin 10 - a) Læg ristene på rillerne i grillen.

b) Anbring varmholdningsristen.



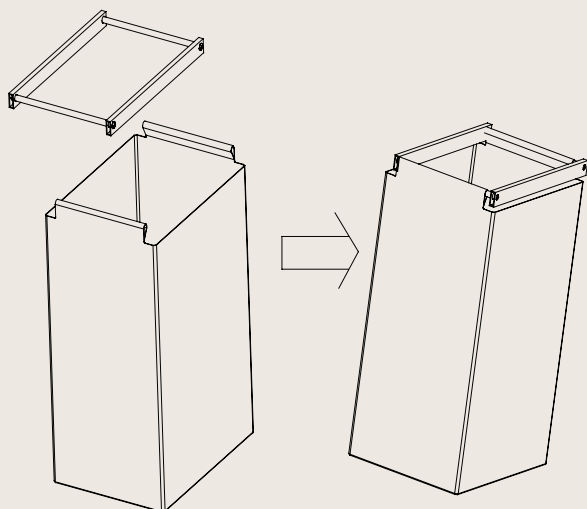
Trin 11

Skub fedtbeholderen i styreskinnerne under brænderne.

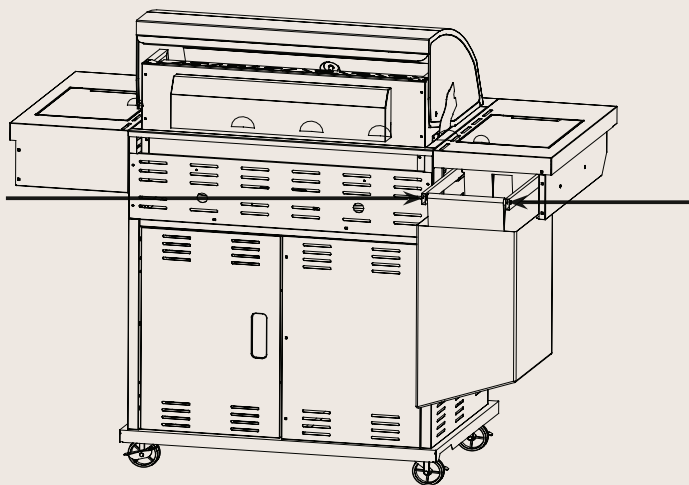


Trin 12

Hæng affaldsposen i stativet.

**Trin 13**

Skub stativet med affaldsposen i styreskinnerne.



4. Anvendelse af din grill

4.1 Generel information

Selvom alle gastilslutninger på grillen er tæthedstestet før grillen blev sat på transport, skal der foretages en komplet test på monteringsstedet. Under transporten kan grillens komponenter have flyttet sig. Der kan også være et for højt gastyk på apparatet. Kontroller hele systemet regelmæssigt for utætheder og kontroller systemet med det samme, hvis du lugter gas.



4.2 Gaslækagetest

Foretag altid en gaslækagetest før grillen tages i brug eller efter en lang periode, hvor den ikke har været brugt.

- * Sluk al åben ild (RYG IKKE under lækagetesten).
- * Foretag aldrig denne gaslækagetest i nærheden af åben ild.
- * Lav en sæbeblanding der består af lige dele vand og flydende sæbe eller et mildt opvaskemiddel
- * Gennemgå følgende trin:
 1. Sluk for brændernes betjeningsknapper.
 2. Fjern batteriet fra den elektroniske tænder.
 3. Åbn gasflasken.
 4. Smør sæbeblandingen på alle tilslutninger på gastilførslen. Hvis der ikke opstår nogen sæbebobler, er der ingen gaslækage. Hvis der på gastilslutningen opstår sæbebobler, er der en lækage. Hvis du konstaterer en lækage, skal du lukke for gastilførslen med det samme, og fastgøre alle utætte tilslutninger grundigt, åbn igen for gasflasken og gentag trin 1 til og med 4.
 5. Luk for gastilførslen.
 6. Tænd for brændernes betjeningsknapper i 10 sekunder, for at lade trykket slippe væk, og sluk derefter for betjeningsknapperne.
 7. Fjern sæbeblandingen fra tilslutningerne på apparatet med koldt vand og tør dem af med en tør klud. Kontroller før hver ibrugtagning alle gastilslutninger og gentag dette hver gang gasflasken bliver tilsluttet på gasregulatoren.

Det anbefales at teste gasslangen hvert år for lækager, endda hvis gasflasken aldrig har været frakoblet apparatet.

Bemærk:

Sørg for at teste alle løse tilslutninger (inklusive sidebræderen) og stram dem igen om nødvendigt, når du tester apparatet for lækager. Selv en lille lækage i systemet kan have en farlige situation til følge.

Bemærk:

I dag er de fleste gasflasker forsynet med en mekanisme, der kan registrere lækager inden i tanken. Hvis gassen siver for hurtigt ud, lukker mekanismen for gastilførslen. En lækage kan begrænse gastilførslen betydeligt, hvilket kan hindre antændelsen af grillen.

Bemærk:

Hvis du ikke kan lukke for lækagen, luk da for gastilførslen og tag kontakt til dit salgssted. Selv en lille lækage kan forårsage brand.

Bemærk:

Hvis det, efter et antal forsøg, ikke lykkes at tænde for grillen, tag da kontakt til dit salgssted.

Bemærk:

Sørg for at betjeningsknapperne er i "SLUKKET"-tilstand, når du ikke anvender apparatet.

4.3 Antændelse af grillen

- * Kontroller brændernes almene tilstand (se 0) Hvis du tvivler på brændernes tilstand, tag da kontakt til dit salgssted.
- * Sørg for at grillen står på et jævnt underlag.
- * **Dette apparat skal holdes væk fra brændbare materialer under brug.** Hold området for madlavning rent og frit for benzin og/eller brændbare stoffer, brandfarlige gasser eller brandfarlige dampe.
- * Sørg for at der ikke er nogen objekter der blokerer for forbrænding eller ventilation.
- * Anvend ikke aluminiumfolie i den emaljerede brænderbakke eller rundt om flammefordelerne.
- * Sørg for tilstrækkelig ventilation af gasflasken.

Advarsel:

- * Tænd ikke for grillen hvis du lugter gas!
- * Kontroller gasslangen for revner eller slid (se: GASLÆKAGETEST).
- * Hold, ved antændelse, dit ansigt og krop så langt væk fra grillen, som muligt.

4.4 Antændelse af brænderne med en elektronisk tænder

- * Sørg for at alle knapper er i "SLUKKET"-tilstand.
- * Åbn altid for låget før du tænder for grillen.
- * Åbn for gastilførslen.

Vigtigt:

Drej ved åbning for gasflasken ventilen LANGSOMT to (2) gange rundt, for at få den rette gastilførsel.

- * Tryk og drej én af betjeningsknapperne ind til "HØJ"-tilstand. Du vil høre en knitrende lyd. Det kan nogle gange være nødvendigt at trykke tænderen ind i ca. 10 sekunder.

Bemærk:

Hvis brænderen ikke tænder efter 10 sekunder, drej da knappen tilbage i "SLUKKET"-tilstand og vent 1 minut før at du prøver igen.

- * Gentag ovenstående trin også ved de andre brændere.

Bemærk:

Ved få modeller skal der, udover betjeningsknappen, også trykkes en særskilt antændingsknap ind.

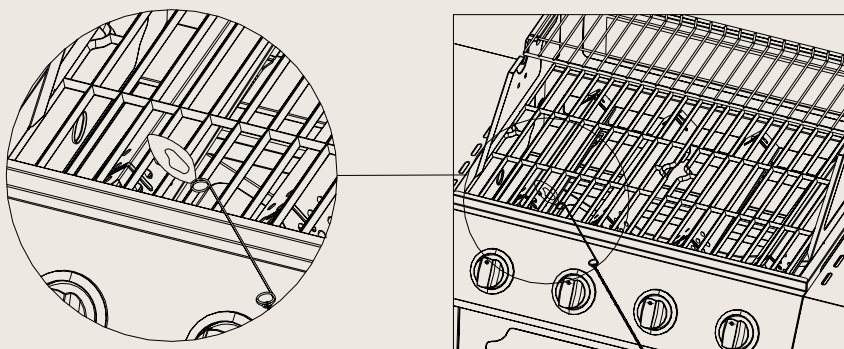
4.5 Antændelse af brænderne med en tændstikforlænger (måtte den være til stede)

Hvis den elektroniske tænder ikke kan tænde for brænderen, kan brænderen også tændes ved hjælp af en tændstik.

- * Stik tændstikken i forlængerens, hvis grillen er forsynet med en tændstikforlænger.
- * Hold dit ansigt så langt muligt væk fra grillen og stik den forlængede tændstik igennem ristens åbninger til brænderen.
- * Placer tændstikken i nærheden af brænderens åbning og tryk og drej på betjeningsknappen til den står i "HØJ"-tilstand.

Bemærk:

Hvis det efter et antal forsøg ikke er lykket at tænde for grillen, tag da kontakt til dit salgssted.



4.6 Antænding af sidebrænderen med en elektronisk tænder

- * Tryk og drej betjeningsknappen til den står i "HØJ"-tilstand. Du vil høre en knitrende lyd.
- * Det kan nogle gange være nødvendigt at trykke tænderen ind i ca. 10 sekunder.
- * Hvis brænderen ikke tænder efter 10 sekunder, drej da knappen tilbage i "SLUKKET"-tilstand og vent 1 minut, før du forsøger igen.

4.7 Antænding af brænderen med tændstikker

Hvis den elektroniske tænder ikke kan tænde brænderen, kan brænderen også tændes ved hjælp af en tændstik.

- * Stik tændstikken ind i forlængerens, hvis grillen er forsynet med en tændstikforlænger.
- * Hold dit ansigt så langt væk fra grillen som muligt og hold en (forlænget) tændstik tæt på brænderens åbning.
- * Tryk og drej betjeningsknappen til den står i "HØJ" tilstand.

Bemærk:

Hvis det efter et antal forsøg ikke er lykkedes at tænde for grillen, tag da kontakt til dit salgssted.

4.8 Opmagasiner

- * Luk gastilførslen, efter brug, og lad grillen afkøle.
- * Fjern gasflasken.
- * Opbevar grillen på et godt ventileret sted og hold børn væk fra grillen.
- * Sæt ikke let antændelige produkter under grillen.
- * Hvis du lader grillen stå udenfor, anvend da et overtræk for at beskytte din grill mod ustadigt vejr. Ved opmagasinerung udendørs, skal du fjerne overtrækket regelmæssigt, for at undgå overdrevet kondensdannelse (med oxidation som følge) på metaldele.
- * Lad grillen køle af før du dækker grillen til med overtrækket eller flytter den.

4.9 Anvendelse

- * Grillen bliver meget varm, anvend varmeresistente handsker, når du bruger grillen. Rør ikke ved grillen uden den rette beskyttelse.
- * Anvend de rette grill hjælpemidler ved tilberedelse af mad på grillen.

5. Vedligeholdelse af din grill

Vigtigt:

lad ALDRIG grillen stå ubeskyttet udenfor. Regnvand kan da ellers ophobe sig i grillen og sætte sig i understellet eller i fedtbeholderen. Hvis fedtbeholderen ikke er rengjort efter brug og grillen ikke er dækket til, da vil skålen fyldes med vand, hvorved vand og fedt løber ind i understellet. Vi råder dig til at rengøre fedtbeholderen efter hvert brug

Vigtigt:

Dele, der er forseglet af fabrikanten eller dennes agent, må ikke manipuleres af brugeren. Der bør ikke foretages ændringer af nogen del af denne grill.

5.1 Rengøring

Anvend ikke slibende rengøringsmidler på grillen. Disse kan ridse og beskadige overfladen. Anvend lunkent vand kombineret med en blød svamp eller klud til at rengøre grillens metaldele.

* Opvarm grillen ved at tænde hovedbrænderne på højeste trin og luk låget.

Tænd ikke for den infrarøde brænder(e)!

- * Lad grillen varme op i 10 minutter til 250 grader.
- * Sluk for brænderne og lad grillen afkøle før du rengører den.
- * Rens grillristen og grillpladen med en dertil egnet børste (fås via Boretti's webshop)
- * Fjern grillristen og grillpladen.
- * Fej forkullede (mad)rester væk hen imod fedtbeholderen.
- * Fjern fedtbeholderen og rens denne med varmt vand og sæbe.
- * Brug varmt vand og sæbe for at rengøre grillens yderside.
- * Aftør grillen med en blød, ren klud.

5.2 Fedtbeholder

Fedtbeholderen skal rengøres regelmæssigt, for at forhindre ophobning af skidt og rester.

Bemærk:

Sørg for at fedtbeholderen er afkølet før at du rengører den.

5.3 Grillriste

Grillristene kan rengøres med det samme, efter at grillen har været i brug, med en egnet rengøringsbørste. Rengøring af grillristene med et affedtende middel og vand, øger chancen for oxidation/rust. Du kan undgå dette ved at smøre grillristene ind med olivenolie, efter rengøring.

5.4 Rustfrit stål

Efter første brug kan grillens dele blive misfarvet på grund af den intense varme, som brænderne forårsager. Dette er normalt.

Anskaf rengøringsmiddel specielt til rustfrit stål og påfør dette ved børstningen af metallet. Det kan ske at fedtpletter havner på rustfrit ståldele og brænder fast, således at nogle dele ser slidte ud. Anvend et rengøringsmiddel, der ikke ridser sammen med et rengøringsmiddel beregnet til rustfrit stål, for at fjerne fedtet.

5.5 Udskiftning af batterier på tænderen (hvis denne forefindes)

Drej knappen på tænderen løs og fjern AA batteriet. Indsæt et nyt AA batteri.

5.6 Emaljerede dele

Nogle af grillens dele har en emalje coating. Emalje er et product på glasbasis og er meget holdbart og slidstærkt. Det tåler dog dårligt chok og stød, da disse kan forårsage revner. Disse revner kan forårsage, at små stykker emalje der brækker af i skår, med rustdannelse som følge. Din grills præstationer vil dog ikke lide under de afbrækkede skår og revner. Der gives ikke erstatning på emaljeskader i madlavningssektionen, efter at grillen er taget i brug.

5.7 Ventilation

Brænderne kan kun fungere optimalt hvis den varme, de producerer, også kan slippe væk. Kan dette ikke lade sig gøre, får brænderne muligvis ikke ilt nok, og kan dette forårsage en eftertænding, især hvis brænderne står i "HØJ" tilstand. Hvis dette sker gentagende gange, kan der opstå revner i brænderne. Af denne grund er der ventilationsåbninger omkring grillen. Herved kan varm luft slippe væk. Sørg for at der altid er rigeligt med plads rundt om overfladen i madlavningssektionen (ristene sørger for tilstrækkelig plads). Afdæk aldrig ventilationsåbningerne med folie eller andre materialer, der kan hindre luftstrømmen. Vær opmærksom på, at overfladen i madlavningssektionen ALDRIG helt er dækket til af f.eks. en stor gryde eller udelukkende med grillplader.

5.8 Udskiftning af gasslangen

Gasslangen bør udskiftes hvert andet år. Gasslanger af gummi kan udtørre og herved kan der opstå en gaslækage.

5.9 Brændere

Det er normalt at der opstår rust (oxidation) på brænderne. Fødevarerester skal fjernes regelmæssigt. Dette kan gøres ved hjælp af en grill rengøringsbørste. Brændere skal regelmæssigt fjernes til kontrol og rengøring, især efter en periode i opbevaring/uden brug. Brænderne skal kontrolleres på deres almene tilstand og for at sikre at åbninger ikke blokeres. Brænderne kan rengøres ved hjælp af en børste. Hvis du fjerner brænderne, vær da opmærksom på ikke at beskadige gashanen og tændeelektroden.

Der er bevidst lavet en åbning i begyndelsen af brænderen, for at sikre en tilstrækkelig tilførsel af ilt til at der kan dannes en brændbar blanding. Derfor ser du en lille åbning, der hvor gashanen tilsluttes brænderen. Her siver ingen gas ud.

5.10 Edderkopper og insekter

Edderkopper og insekter kan bygge rede i brænderne på din grill, hvorved gassen løber ud ad forsiden på brænderen. Dette er en meget farlig situation, der kan forårsage brand bag ved kontrolpanelet. Dette skader grillen, der ikke længere er sikker i brug. Vi råder dig derfor til at kontrollere grillen mindst én gang om året for edderkopper, insekter og deres reder (især efter lang tids opmagasining). Dette kan du gøre ved at afmontere brænderrørene og rengøre disse ved at puste eller børste dem af.

6. Miljøretningslinje, Garantibetingelser & Kontaktinformation



Hvis du, af en eller anden grund, vil skaffe dig af med grillen, overhold da disse retningslinjer:

- * Indlever grillen ved en lokal virksomhed, der har kompetence til at indsamle kasserede husholdningsapparater. Få oplyst ved din kommune, hvor disse indsamlingssteder befinder sig.
- * Denne grill er mærket ifølge den europæiske retningslinje 2002/96EG, vedrørende kasseret apparatur. Denne retningslinje fastlægger normerne for indsamling og genbrug af kasseret apparatur, som er gældende for hele den europæiske union.

For grilltilbehør, garanti-, servicebetingelser og øvrige spørgsmål, henviser vi dig

www.boretti.com

Du kan sende dine spørgsmål og forslag til

info@boretti.com

Boretti BV

Abberdaan 114

1046 AA Amsterdam

Appliance name: Gas grill

Model number: Maggiore

Category: I3+, I3B/P(30)

Q.: Total 121.6 kW (1572 g/h)

Injector size	Main burners 11.1kW	IR Back 3.7kW	Side burner 3.6kW	IR Bottom 3.2kW
	Main burners 0.93	IR Back 0.93	Side burner 0.92	IR Bottom 0.85



Country	Category	Gas type	Pressure (mbar)	WARNING
BE	I3+	But	28-30	
	I3+	Propan	37	Il faudra utiliser un détendeur approprié.
BG	I3B/P(30)	бѳтан	29	
	I3B/P(30)	пропан	29	
CY	I3+	βουτάνιο	28-30	
	I3+	προπάνιο	37	Απαιτείται άλλος ρυθμιστής πίεσης αερίου.
	I3B/P(30)	βουτάνιο	29	
	I3B/P(30)	προπάνιο	29	
CZ	I3+	Butan	28-30	
	I3+	Propan	37	Vyžaduje se jiný regulátor tlaku plynu.
	I3B/P(30)	Butan	29	
DK	I3B/P(30)	Propan	29	
	I3B/P(30)	Propan	29	
EE	I3B/P(30)	Butaani	29	
	I3B/P(30)	Propani	29	
ES	I3+	Butano	28-30	
	I3+	Propano	37	Se necesita otro regulador de presión de gas.
FI	I3B/P(30)	Butaani	29	
	I3B/P(30)	Propani	29	
FR	I3+	Butane	28-30	
	I3+	Propane	37	Il faudra utiliser un détendeur approprié.
GB	I3+	Butane	28-30	
	I3+	Propane	37	Other gas pressure regulator required.
GR	I3+	βουτάνιο	28-30	
	I3+	προπάνιο	37	Απαιτείται άλλος ρυθμιστής πίεσης αερίου.
HR	I3B/P(30)	Butan	29	
	I3B/P(30)	Propan	29	
	I3B/P(30)	Butángáz	29	
HU	I3B/P(30)	Propán	29	
	I3+	Butane	28-30	
IE	I3+	Propane	37	Other gas pressure regulator required.
	I3B/P(30)	Bután	29	
IS	I3B/P(30)	Própan	29	
	I3+	Butano	28-30	
IT	I3+	Propano	37	È necessario un altro regolatore della pressione del gas.
	I3B/P(30)	Butano	29	
	I3B/P(30)	Propano	29	
LT	I3+	Butanas	28-30	
	I3+	Propano	37	Būtinās kitas duju slėgio regulatorius.
	I3B/P(30)	Butanas	29	
LV	I3B/P(30)	Propano	29	
	I3+	Butāns	28-30	
	I3+	Propāns	37	
MT	I3B/P(30)	Butāns	29	
	I3B/P(30)	Propāns	29	
	I3B/P(30)	Butaan	29	
NL	I3B/P(30)	Butaan	29	
	I3B/P(30)	Propan	29	
NO	I3B/P(30)	Butan	29	
	I3B/P(30)	Propan	29	
PT	I3+	Butano	28-30	
	I3+	Propano	37	Outro regulador de pressão de gás necessário.
RO	I3B/P(30)	Butan	29	
	I3B/P(30)	Propan	29	
SE	I3B/P(30)	Butan	29	
	I3B/P(30)	Propan	29	
SI	I3+	Butan	28-30	
	I3+	Propan	37	Zahtevan je drug regulator za tlak plina.
	I3B/P(30)	Butan	29	
TR	I3B/P(30)	Propan	29	
	I3B/P(30)	Propan	29	

Boretti BV

Abberdaan 114 | 1046 AA Amsterdam | The Netherlands

www.boretti.com

 2531/22
 PIN: 2531CU-0105

Made in PRC



Passione in Cucina



MAGGIORE AN

FI | OHJEKIRJASSA

www.boretti.com

Esittely

Onnittelut uuden grillin ostamisesta. Olemme varmoja siitä, että intohimosi grillaukseen ja ulkoilma-elämäntyyliin tekee tavallisesta kesäillasta kauniin *buona seran* ja pihastasi *giardinon*.

Squadra Boretti

Lue tämä ohjekirja huolella ja säilytä se!

Tässä ohjekirjassa on tarkkoja ohjeita koskien turvallisuuttasi, grillin kokoonpanoa, käyttöä ja huoltoa. Käytä grilliä ainoastaan ohjekirjan ohjeiden mukaisesti. Terve järki ja varovaisuus käytön aikana ovat *pakollisia!*

Sisältö

* 1. Yleiset turvallisuusohjeet.....	126
* 2. Osat.....	129
* 3. Kokoonpanopiirroksset.....	131
* 4. Grillin käyttö.....	138
* 5. Grillin huolto.....	143
* 6. Ympäristöohje, Takuun ehdot & Yhteystiedot.....	146

Tärkeitä turvallisuustietoja

Käytä vain ulkona!

Lue ohjeet ennen laitteen käyttöä!

VAROITUS: koskettavissa olevat osat voivat olla erittäin kuumia.

Pidä pienet lapset poissa!

Älä siirrä laitetta käytön aikana!

Katkaise kaasuntulo kaasupullosta käytön jälkeen!

1. Yleiset turvallisuusohjeet

- * Ennen käyttöä, ensin lue kaikki tämän ohjekirjan tiedot huolella.
- * Älä koskaan päästä lapsia tai lemmikkejä grillin lähelle.
- * Tätä grilliä ei koskaan saa käyttää lapset, psyykkisesti vammautuneet henkilöt tai henkilöt, jotka ovat mieleen vaikuttavien aineiden ja/tai lääkitysten vaikutuksen alaisena.
- * Pidä aina mahdollisimman suuri etäisyys grilliin, kun sytytät sen tai käytät sitä.
- * Varmista, että kaasusäiliön kaasuventtiili on aina käden ulottuvilla, jotta voit sulkea kaasunsyötön grilliin.
- * Sammuta kaikki liekit ja **ÄLÄ TUPAKOI**, kun avaat kaasuventtiilin ja sytytät grillin.
- * Tämä grilli tulee erittäin kuumaksi, suurta huolellisuutta ja varovaisuutta vaaditaan käytön aikana.
- * Jos haistat kaasua, tarkista kaikkien kaasuliitäntöjen tiukkuus ennen käyttöä. Jos kaasun haju jatkuu, sulje kaasuventtiili ja ota suoraan yhteyttä jälleenmyyjääsi.
- * Pidä tulenarat aineet, kaasut, nesteet ja materiaalit etäällä grillistä kaikissa tapauksissa ja älä koskaan anna niiden päästä kosketuksiin grillin kanssa.
- * Tämän ohjekirjan ohjeiden, varotoimien, turvallisuusohjeiden, varoitusten ja vaarojen laiminlyönti ja/tai väärin noudattaminen voi johtaa tulipaloon, räjähdykseen, tuotevaurioihin ja voi myös aiheuttaa loukkaantumisen tai kuoleman.
- * Ainoastaan kotitalouskäyttöön ja yksinomaan ruoanlaiton käyttötarkoitukseen.

- * Grilliä voidaan käyttää 5 - 6 kg kaasupullojen kanssa. Kaasupullon enimmäiskoon pitäisi olla: Halk. 300 mm, korkeus: 470 mm. Noudata käyttöohjeen teknisiä tietoja ja tarkista paikalliselta kaasuntoimittajalta, että sinulla on sopiva kaasupullo grilliisi.
- * Vältä joustavan letkun kiertämistä laitteen ollessa käytössä. Joustavan letkun pituus saa olla enintään 1,5 m. Suomessa pituus saa olla enintään 1,2 metriä. Letkun on oltava sovellettavan EN-standardin ja paikallisten säännösten mukainen.

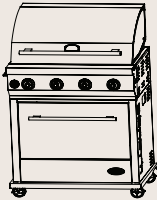
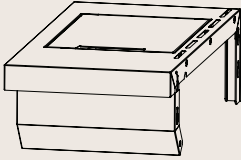
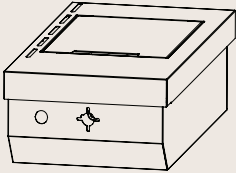
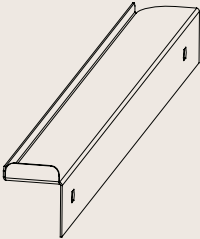
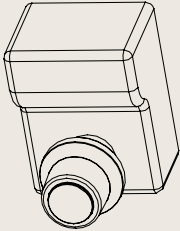

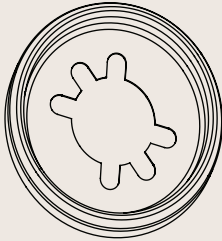
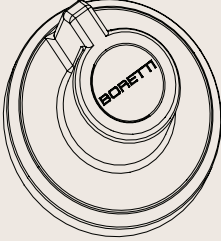

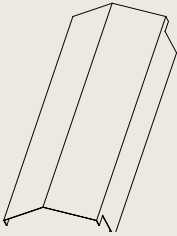
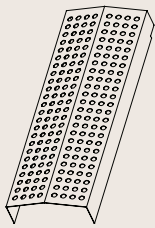

1.1 Kokoonpano

- * Kokoa grilli tämän käyttöoppaan asennuspiirustuksen mukaisesti.
- * Virheellinen kokoonpano tai oikean kokoamisjärjestyksen noudattamatta jättäminen, kuten piirros osoittaa, voi johtaa erittäin vakaviin tilanteisiin.
- * Ole aina varovainen ja tarkka asennuksen aikana.
- * Kaikki osat on koottava kokoonpanokaavion mukaisesti. Jos osa puuttuu ja/tai epäilet kokoonpanon oikeellisuutta, ota välittömästi yhteys myyntipisteeseesi.
- * Älä koskaan korjaa tai vaihda tämän laitteen osia itse, ellei se ole nimenomaisesti mainittu tässä käyttöoppaassa.
- * Älä koskaan liitä vaurioitunutta kaasuletkeä laitteeseen. Tämä voi johtaa tulipaloon.
- * Jos laitteessa on pistoke, tämä on maadoitettu pääpistoke suojaamaan sinua sähköiskuilta. Pistoke on kytkettävä sopivaan, maadoitettuun pistorasiaan. **ÄLÄ KOSKAAN** poista metallilevyjä tulpasta.
- * **ÄLÄ** muokkaa laitetta.

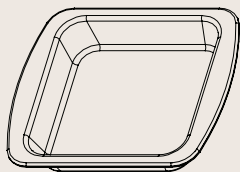
1.2 Käyttöpaikka

- * Käytä grilliä ainoastaan ulkotiloissa ja hyvin ilmastoiduissa paikassa. Älä koskaan käytä grilliä sisätiloissa tai missään (osittain) suljetussa tilassa. Myrkyllisiä kaasuja voi kerääntyä ja ne voivat johtaa vakaviin vammoihin tai kuolemaan.
- * Älä koskaan käytä grilliä tulenaralla tai helposti syttyvällä pinnalla.
- * Käytä grilliä ainoastaan kovalla, suoralla ja vakaalla pinnalla, joka kestää sen painon.
- * Pidä vähintään 3 metrin vapaa tila grillin ja kaikkien tulenarkojen materiaalien (puu, muovi, kasvien lehdet jne.) välillä, kun grilliä käytetään.
- * Pidä aina grilli etäällä bensiinistä ja/tai muista tulenaroista nesteistä, kaasusta, höyryistä ja alueilta, joissa epäilet näitä aineita olevan.
- * Älä koskaan käytä grilliä kovassa tuulessa.
- * Varmista, että pääpoltin (tai polttimet) ja infrapunapoltin EIVÄT KOSKAAN ole päällä samanaikaisesti. Tämä voi johtaa grillin kannen vääntymiseen tai luhistumiseen.
- * Grilli tulee erittäin kuumaksi, älä koskaan siirrä sitä käytön aikana tai heti käytön jälkeen.
- * Useimmissa Boretti grilleissä on pyörät, jotka helpottavat niiden siirtämistä. Ole varovainen, kun siirrät grilliä epätasaisella alustalla; muutoin pyörät saattavat vaurioitua.
- * Älä käytä paistovarrasta sadesäällä.
- * Keittoastioiden koko voi olla grillissämme 130 - 220 mm välillä.

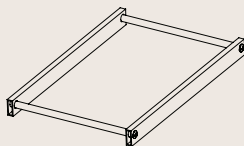
2. Osat

Grilli	Vasen sivupöytä	Oikea sivupoltin
		
Roskapussin ohjusraiteet	Sähkösytytin	Paristo
		
Ohjause rengas	Ohjause painike	Liekinvaimennin I
		
Liekinvaimennin II	Liekinvaimennin III	Lämmitysritilä
		

Rasva-astia



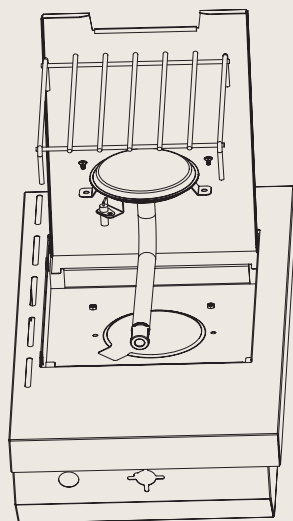
Roskapussin kehys



3. Kokoonpanopiirrokset

Vaihe 1

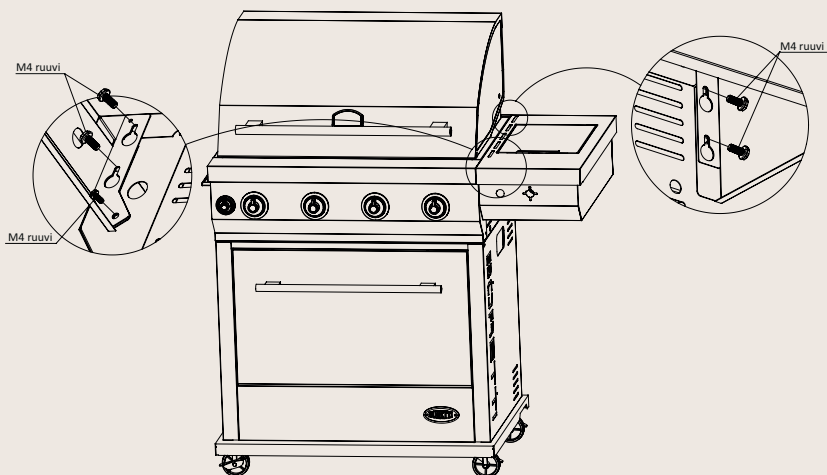
Irrota pannujalusta ja löysää M4 mutteria ja ruuvia irrottaaksesi sivupolttimen.



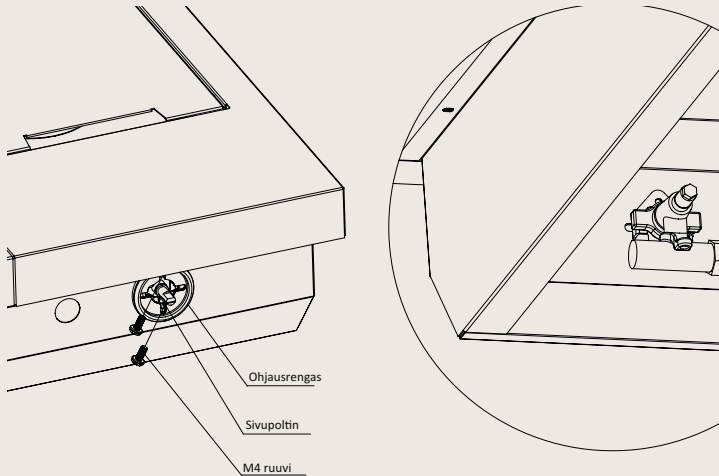
Vaihe 2 - a) Löysää 4x M6 ja 1x M4 ruuveja grillin oikealla puolella noin 6 mm matkalta.

b) Liu'uta sivupolttimen reiät löysäämiesi ruuvien yli.

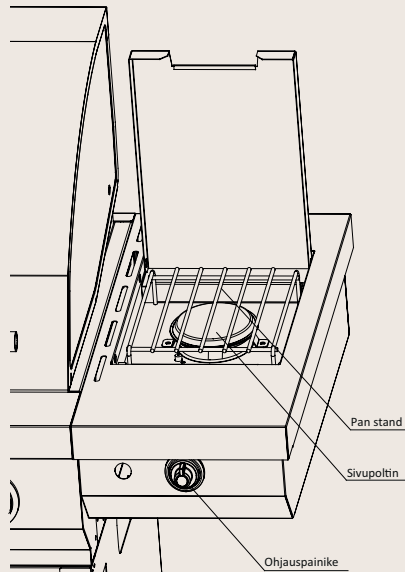
c) Kiristä ruuvit uudelleen kiinnittääksesi sivupolttimen.



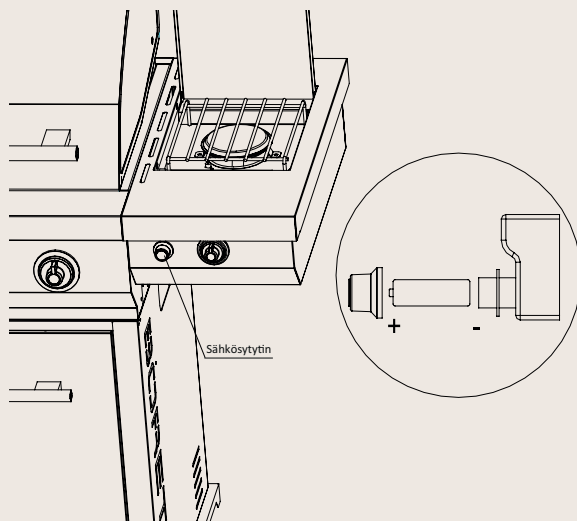
- Vaihe 3** - a) Aseta pakkauksen mukana tullut ohjausrenkas sivupolttimeen ja kiristä se mukana tulleella M4 ruuvilla.
- b) Aseta toinen M4 ruuvi ja kiristä se varmistaen, että 'H' osoittaa sytytyksen avausta kohden (vasemmalla puolella).



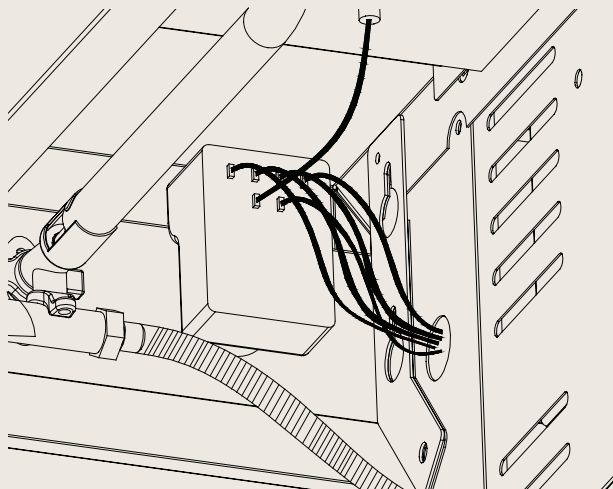
- Vaihe 4** - a) Asenna sivupoltin käyttäen 2x M4 ruuvia. Palauta pannujalusta paikoilleen.
- b) Asenna ohjauspainike ja varmista, että painikkeen litteä sivu vastaa kaasuventtiilin litteää sivua.



- Vaihe 5** - a) Liu'uta sytyttimen kierteinen osa sivupolttimen edessä olevan avauksen läpi ja asenna lukkomutteri.
- b) Aseta paristo pidikkeeseen siten, että + puoli osoittaa eteenpäin.
- c) Ruuvaa sytyttimen pää kiinni.

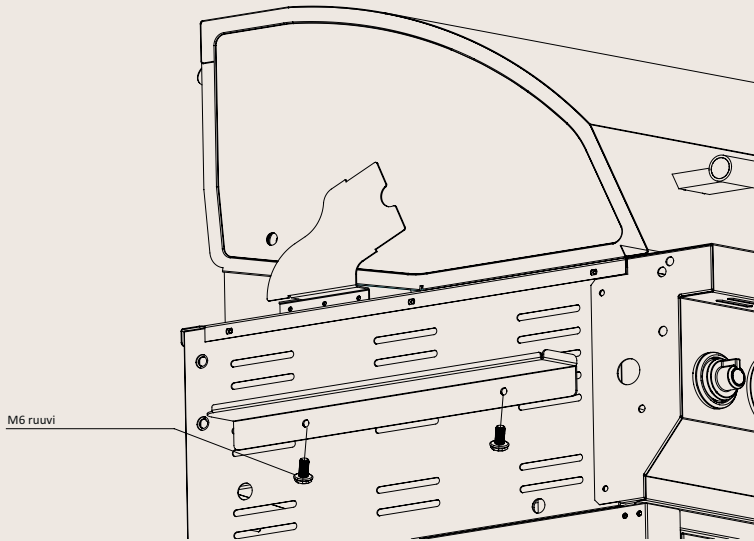


- Vaihe 6** - a) Yhdistä sivupolttimen sytytysjohdon pää sähkösytyttimeen.
- b) Yhdistä grillin sivusta ulkonevat viisi johtoa sähkösytyttimeen.



Vaihe 7

Kiinnitä roskapussin ohjausraiteet grillin vasemmalle puolelle ja kiinnitä se käyttäen 2x M6x10 ruuvia.

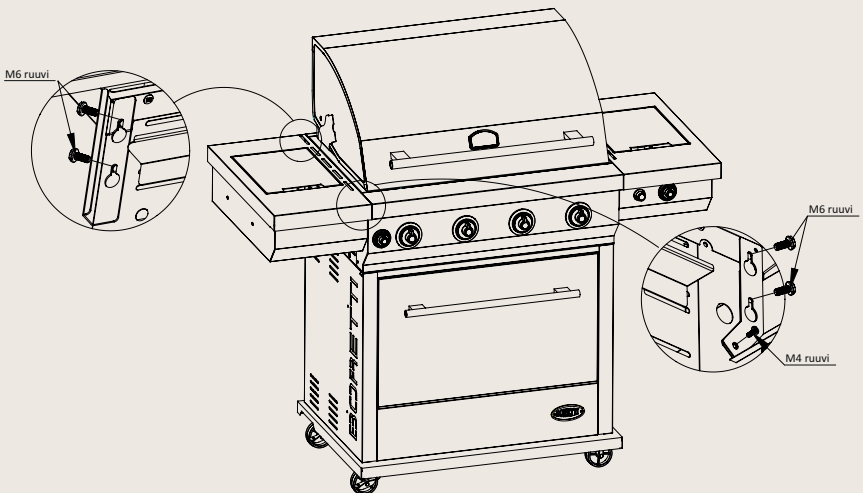


Vaihe 8 - a) Löysää 4 x M6 ruuveja grillin vasemmalla puolella noin 6 mm matkalta.

 Löysää 1 x M4 ruuvi kokonaan.

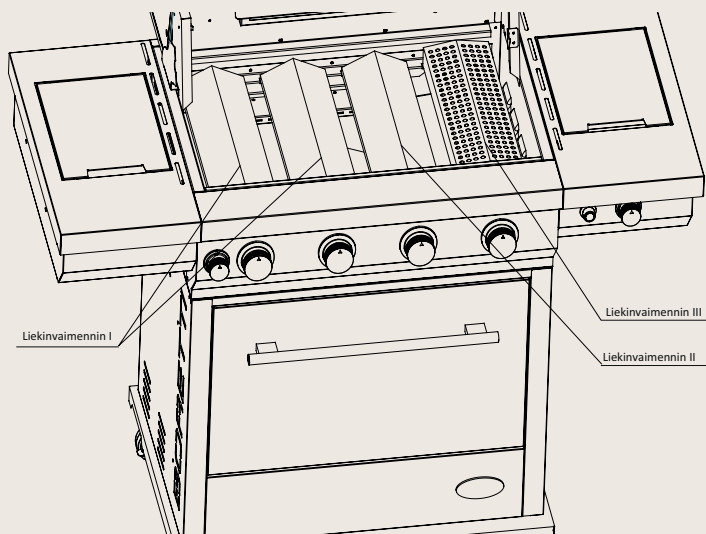
b) Liu'uta sivupöytä 4 löysätyn M6 ruuvin yli.

c) Kiristä kaikki viisi ruuvia uudelleen kiinnittääksesi sivupöydän.

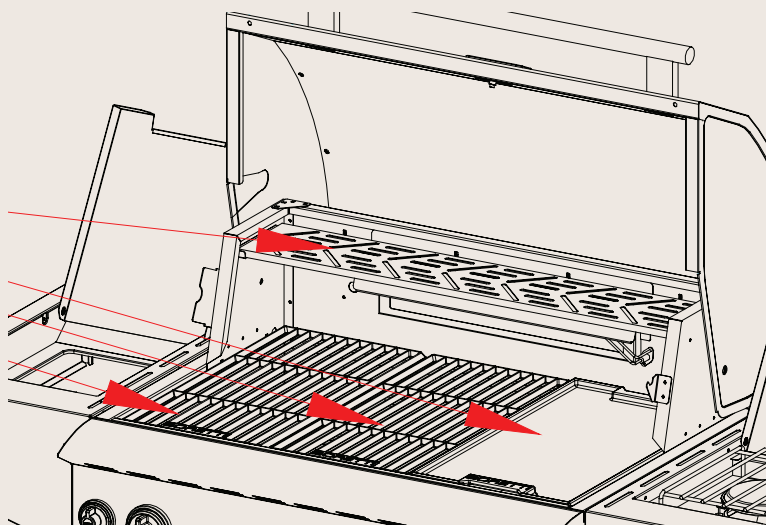


Vaihe 9

Aseta liekinvaimentimet syvennyksiin siten, että kolmionmallinen puoli osoittaa ylöspäin. Varmista, että pitkäsivuinen liekinvaimennin asetetaan infrapunapolttimen viereen.

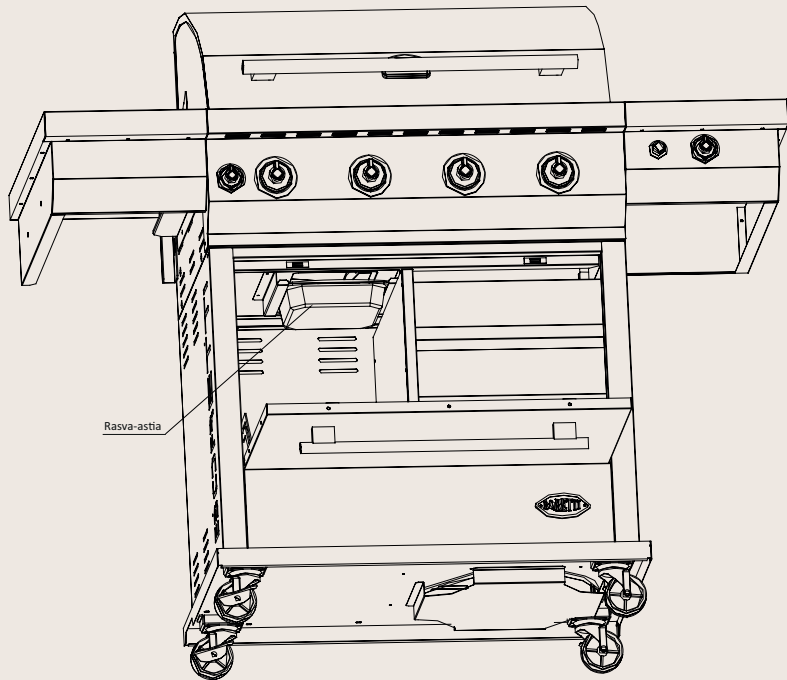


- Vaihe 10** - a) Aseta ritilät grillissä oleville ulokkeille.
b) Aseta lämmitysritilä paikoilleen.



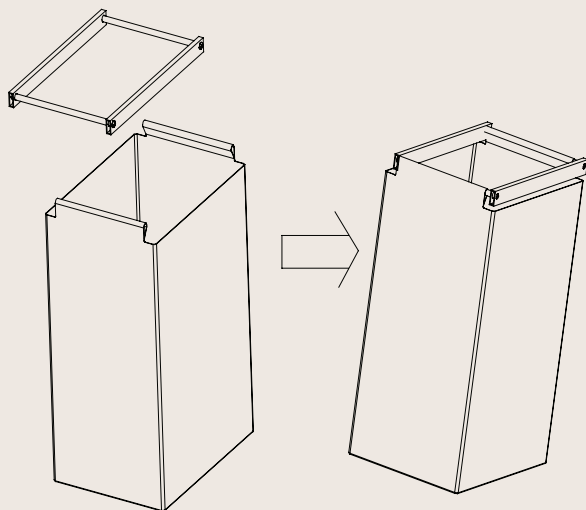
Vaihe 11

Liu'uta rasva-astia polttimien alapuolella oleville ohjusraiteille.

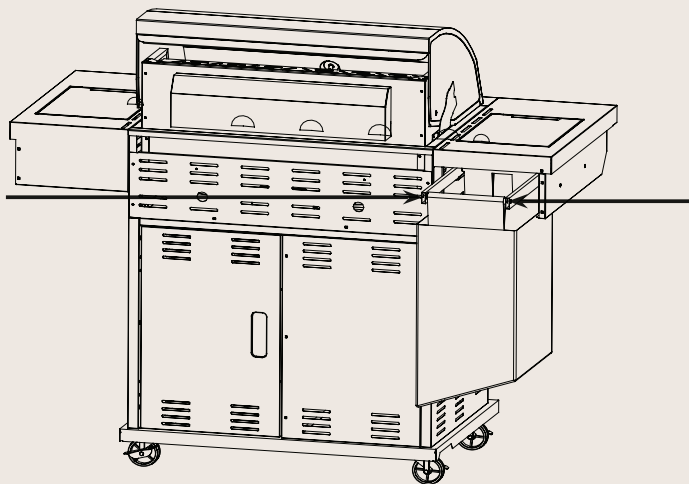


Vaihe 12

Ripusta roskapussi sen kehykseen.

**Vaihe 13**

Liu'uta kehyksessä oleva roskapussi ohjausraiteille.



4. Grillin käyttö

4.1 Yleistä tietoa

Vaikka kaikki grillin liitännät on testattu vuotojen varalta ennen kuljetusta, kokonainen testaaminen tulee suorittaa asennuspaikalla. Kuljetuksen tai kokoonpanon aikana, jotkut grillin osat ovat saattaneet siirtyä. On myös mahdollista, että laitteen kaasun paine on liian korkea. Tarkista koko laite säännöllisesti vuotojen varalta ja tarkista laite välittömästi, mikäli haistat kaasua.



4.2 Kaasuvuototesti

Tee kaasuvuototesti aina ennen grillin käyttöä ja kun grilliä ei ole käytetty hetkeen.

- * Sammuta kaikki avotulet (ÄLÄ TUPAKOI, kun teet kaasuvuototestin).
- * Älä koskaan tee kaasuvuototestiä avotulen lähellä.
- * Tee saippualliuos käyttäen samaa määrää vettä ja nestesaippuaa tai hellävaraista pesuainetta
- * Noudata seuraavia vaiheita:
 1. Käännä polttimien ohjausnupit pois päältä.
 2. Irrota sähköisen sytyttimen paristo.
 3. Avaa kaasunsyöttö.
 4. Laita saippualliuosta kaikkiin kaasunsyötön liittimiin. Jos saippuakuplia ei synny, kaasua ei vuoda. Jos saippuakuplia syntyy liitännäkohdassa, tämä viittaa vuotoon. Jos havaitset kaasuvuodon, kiristä vuotavat liitännät tiukasti, avaa kaasusäiliö uudelleen ja toista kohdat 1 – 4.
 5. Sulje kaasunsyöttö.
 6. Käännä polttimien ohjausnupit päälle 10 sekunnin ajaksi vapauttaaksesi paine letkusta ja käännä sitten ohjausnupit taas pois päältä.
 7. Poista saippualliuos laitteen liitännöistä kylmällä vedellä ja kuivaa liinalla. Tarkista kaikki kaasuliitännät ennen jokaista käyttöä ja tee se myös, kun kaasusäiliö liitetään kaasun paineensäätimeen.

On suositeltavaa, että tarkistat kaasuletkun vuotojen varalta joka vuosi, vaikka kaasusäiliötä ei olisi koskaan irrotettu laitteesta.

Huomio:

Varmista, että testaat kaikki löysät liitännät (mukaan lukien sivupolttimen) ja tarvittaessa kiristät ne uudelleen, kun testaat laitetta vuotojen varalta. Jopa pieni vuoto järjestelmässä voi johtaa vaaralliseen tilanteeseen.

Huomio:

Tänä päivänä useimmissa kaasusäiliöissä on mekanismi, joka löytää säiliön sisällä tapahtuvat vuodot. Kun kaasua vapautuu liian nopeasti, tämä mekanismi sulkee kaasunsyötön. Vuoto voi vahvasti rajoittaa kaasunsyöttöä, joka tekee grillin sytyttämisestä vaikeaa.

Huomio:

Jos et pysty sulkemaan kaasuvuotoa, sulje kaasunsyöttö ja ota yhteyttä jälleenmyyjääsi. Jopa pieni vuoto voi johtaa tulipaloon.

Huomio:

Jos et useammankaan yrityksen jälkeen pysty sytyttämään grilliä, ota yhteyttä jälleenmyyjääsi.

Huomio:

Varmista, että ohjausnupit ovat "OFF" asennossa, kun et käytä laitetta.

4.3 Grillin sytyttäminen

- * Tarkista polttimien yleinen kunto (katso kohta 5.9). Jos olet epävarma polttimien kunnosta, ota yhteyttä jälleenmyyjääsi.
- * Varmista, että grilli on tasaisella alustalla.
- * **Tämä laite on pidettävä poissa syttyvistä materiaaleista käytön aikana.** Pidä kypsennysalue puhtaana liasta ja bensiniistä ja/tai muista syttyvistä ja/tai tulenaroista aineista, syttyvistä kaasuista tai syttyvistä höyryistä.
- * Varmista, ettei mikään tuki polttimia tai ilmanvaihtoa.
- * Älä käytä alumiinifoliota emalipoltinvuoalla tai liekkilähteiden läheisyydessä.
- * Varmista, että kaasusäiliöllä on riittävä ilmanvaihto.

Varoitus:

- * Älä sytytä grilliä, jos haistat kaasua!
- * Tarkista kaasuletku halkeamien ja kulumien varalta (katso: KAASUVUOTOTESTI).
- * Pidä kasvosij ja kehosi mahdollisimman kaukana grillistä, kun sytytät sitä.

4.4 Polttimien sytyttäminen sähköisellä sytyttimellä

- * Varmista, että kaikki nupit ovat "OFF" asennossa.
- * Avaa aina kansi ennen kuin sytytät grillin.
- * Avaa kaasunsyöttö.

Huomio:

kun avaat kaasusäiliön, avaa venttiiliä HITAASTI kahden (2) täyden kierroksen verran saadaksesi riittävä määrä kaasua.

- * Paina ja käännä yhtä ohjausnuppia "HIGH" asentoon. Kuulet naksahavaa ääntä. Voi olla tarpeellista pitää sytytintä pohjassa noin 10 sekunnin ajan.

Huomio:

Jos poltin ei syty noin 10 sekunnin jälkeen, käännä nuppi takaisin "OFF" asentoon ja odota 1 minuutti ennen uudelleen yrittämistä.

- * Toista yllä olevat vaiheet myös muiden polttimien kohdalla.

Huomio:

Joissakin malleissa ohjausnupin lisäksi erillistä sytytinnuppia tulee myös painaa.

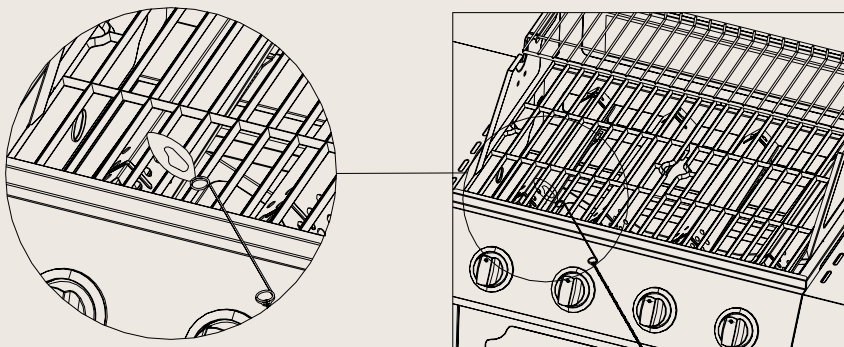
4.5 Polttimien sytyttäminen tulitikun pidikkeellä (jos mukana)

Jos sähköinen sytytin ei kykene sytyttämään polttimia, on myös mahdollista sytyttää polttimet tulitikun avulla.

- * Aseta tulitikku pidikkeeseen, jos grillin mukana tulee tulitikun pidike.
- * Pidä kasvoski mahdollisimman kaukana grillistä ja osoita tulitikulla poltinta kohden grillissä olevien rakojen läpi.
- * Aseta tulitikku lähelle polttimen avausta ja käännä ohjausnuppi "HIGH" asentoon.

Huomio:

Jos useammankaan yrityksen jälkeen et kykene sytyttämään grilliä, ota yhteyttä jälleenmyyjääsi.



4.6 Sivupolttimen sytyttäminen sähköisellä sytyttimellä

- * Paina ja käännä ohjausnappi "HIGH" asentoon. Kuulet naksahavaa ääntä.
- * Voi olla tarpeellista pitää sytytintä pohjassa noin 10 sekunnin ajan.
- * Jos poltin ei syty noin 10 sekunnin jälkeen, käännä nappi takaisin "OFF" asentoon ja odota 1 minuutti ennen uudelleen yrittämistä.

4.7 Sivupolttimen sytyttäminen tulitikulla

Jos sähköinen sytytin ei kykene sytyttämään poltinta, on myös mahdollista sytyttää poltin tulitikun avulla.

- * Aseta tulitikku pidikkeeseen, jos grillin mukana tulee tulitikun pidike.
- * Pidä kasvosu mahdollisimman kaukana grillistä ja osoita (pidennettyä) tulitikkua polttimen avausta kohti.
- * Paina ja käännä ohjausnappi "HIGH" asentoon.

Huomio:

Jos useammankaan yrityksen jälkeen et kykene sytyttämään grilliä, ota yhteyttä jälleenmyyjääsi.

4.8 Säilytys

- * Grillin käytön jälkeen sulje kaasunsyöttö ja anna laitteen jäähtyä.
- * Irrota kaasusäiliö.
- * Säilytä grilli hyvin ilmastoidussa tilassa ja pidä lapset poissa laitteen ulottuvilta.
- * Älä aseta mitään tulenarkaa materiaalia grillin alle.
- * Jos säilytät grilliä ulkona, käytä suojakangasta suojaamaan grilliäsi sään vaikutuksilta. Jos säilytät grilliä ulkona, poista suojakangas säännöllisesti ehkäistääksesi ylimääräisen kosteuden kerääntyminen (joka voi johtaa hapettumiseen) metalliosiin.
- * Anna grillin jäähtyä ennen kuin asetat suojakangkaan sen päälle tai yrität siirtää sitä.

4.9 Käyttö

- * Grillistä tulee erittäin kuuma, käytä kuumuudenkestäviä käsineitä grillatessasi. Älä kosketa grilliä ilman asianmukaista suojausta.
- * Käytä sopivia grillivälineitä ruoan valmistukseen grillillä.

5. Grillin huolto

Tärkeää:

ÄLÄ KOSKAAN jätä grilliä ulos peittämättä sitä. Sadevesi voi kerääntyä grilliin, sen runkoon tai rasva-astiaan. Jos rasva-astia ei ole puhdistettu käytön jälkeen ja grilliä ei ole peitetty, astia voi täytyä vedellä, joka voi johtaa veden ja rasvan pääsyn runkoon. Me suosittelemme, että puhdistat rasva-astian jokaisen käyttökerran jälkeen.

Tärkeää:

Käyttäjä ei saa muokata valmistajan tai tämän edustajan sinetöimiä osia. Tämän grillin mihinkään osaan ei saa tehdä muutoksia.

5.1 Puhdistus

Grillin puhdistamiseen ei saa käyttää hankaavia puhdistusaineita. Nämä voivat naarmuttaa ja vahingoittaa pintaa. Puhdista grillin rungon metalliosat pehmeällä sienellä tai liinalla, joka on kastettu haaleaan veteen.

- * Lämmitä grilli sytyttämällä pääpolttimet niiden korkeimmalla asetuksella ja sulkemalla kansi. **Älä käynnistä infrapunapolttimia!**
- * Anna grillin lämmitä noin 10 minuutin ajan 250 asteessa (Celsius).
- * Sammuta polttimet ja anna laitteen jäähtyä ennen kuin aloitat puhdistamisen.
- * Puhdista ritilät ja paistoastiat sopivalla puhdistusharjalla (Saatavilla Boretti verkkokaupasta). • Irrota paistoritilät ja paistoastia.
- * Harjaa palaneet (ruoan) jämät rasva-astiaa kohti.
- * Irrota rasva-astia ja puhdista se lämpimällä vedellä ja pesuaineella.
- * Käytä lämmintä vettä ja pesuainetta puhdistamaan grillin ulkopinnat.
- * Kuivaa grilli pehmeällä, puhtaalla liinalla.

5.2 Rasva-astia

Rasva-astia tulee puhdistaa säännöllisesti, jottei se kerää likaa ja ruoanjämiä.

Huomio:

Varmista, että rasva-astia on jäähtynyt ennen kuin puhdistat sen.

5.3 Grilliritilät

Grilliritilät voidaan puhdistaa heti ruoanlaiton jälkeen, kun grilli on sammutettu, käyttäen sopivaa puhdistusharjaa. Grilliritilöiden puhdistaminen vedellä ja rasvanpoistoaineella tehostaa hapettumista ja ruostetta. Voit estää tämän levittämällä oliiviöljyä ritilöiden päälle puhdistamisen jälkeen.

5.4 Ruostumaton teräs

Ensimmäisen käyttökerran jälkeen, jotkut grillin osat voivat muuttaa väriä polttimien kovan kuumuuden vuoksi. Tämä on normaalia.

Osta ruostumattomalle teräkselle tehty puhdistustuote jaa käytä sitä, kun harjaat metallia. Jotkut rasvapisarat voivat pudota ruostumattomalle teräkselle ja palaa siihen kiinni, joka voi johtaa joiden osien näyttämiseen kuluneelta. Käytä hankaamatonta pesuainetta yhdessä ruostumattomalle teräkselle suunnitellun puhdistustuotteen kanssa poistaaksesi rasva.

5.5 Sytyttimen pariston vaihtaminen (jos mukana)

Löysää sytyttimen nuppi kääntämällä sitä ja poista AA paristo. Laita uusi AA paristo sen tilalle.

5.6 Emaliosat

Joissakin grillin osissa on emalipinnoite. Emali on lasipohjainen tuote, erittäin vahva ja kulumisen kestävä. Kuitenkaan se ei ole kestävä iskuja vastaan, joka voi johtaa hiushalkeamiin. Hiushalkeamat voivat aiheuttaa joidenkin pienten emaliosien rikkoontumisen, joka johtaa ruosteen kerääntymiseen. Grillisi käyttösuoritusta ei haittaa irronneet emalipalaset tai hiushalkeamat. Mitään korvausvaatimuksia koskien emalin vaurioitumista ei hyväksytä laitteen käytön jälkeen.

5.7 Ilmanvaihto

Polttimet toimivat kunnolla ainoastaan, kun niiden tuottama lämpö pääsee myös pakoon. Jos tämä ei toteudu, polttimet eivät saa tarpeeksi happea, joka voi aiheuttaa takaiskun, erityisesti kun polttimet on asetettu "HIGH" asetukselle. Jos tämä tapahtuu usein, polttimiin voi syntyä halkeamia. Tästä syystä grillin ympärillä on ilmanvaihtoaukkoja. Nämä antavat kuuman ilman karata. Varmista aina, että ruoanlaittoalueen ympärillä on riittävästi tilaa (ritilät tarjoavat tarpeeksi tilaa). Älä koskaan peitä ilmanvaihtoaukkoja alumiinifoliolla tai muilla materiaaleilla, jotka voivat häiritä ilmanvaihtoa. ÄLÄ koskaan salli ruoanlaittoalueen olevan täysin peitettynä, esimerkiksi suurella pannulla tai täyttämällä se täyteen grilliastioilla.

5.8 Kaasuletkun vaihto

Kaasuletku tulee vaihtaa kahden vuoden välein. Kumiset kaasuletkut voivat kuivua, joka voi johtaa kaasuvuotoihin.

5.9 Polttimet

On normaalia, että ruostetta (hapettumista) kertyy polttimien ympärille. Ruoanjämät tulee poistaa säännöllisesti. Tämä voidaan suorittaa grillin puhdistusharjalla.

Polttimet tulee säännöllisesti irrottaa tarkastusta ja puhdistusta varten, erityisesti säilyttämisen/pitkän käyttämättömyyden jälkeen. Polttimien yleiskunto tulee tarkastaa ja varmistaa, että avaukset eivät ole tukkeessa. Polttimet voidaan puhdistaa harjalla. Polttimia irrotettaessa tulee varoa vahingoittamasta kaasuventtiiliä ja sytytyselektrodia.

Avas on asetettu tietoisesti polttimen ensimmäiseen osaan, jotta poltin saa tarpeeksi happea syttyvän seoksen syntymiseksi. Tämä tarkoittaa, että kykenet näkemään pienen avauksen kohdassa, jossa kaasuventtiili yhdistyy polttimeen. Kaasua ei vuoda tästä kohdasta.

5.10 Hämähäkit ja hyönteiset

Hämähäkit ja hyönteiset tekevät pesiä grillin polttimien sisälle, joka voi johtaa kaasun valumiseen polttimen etuosaan. Tämä on vaarallinen tilanne, joka voi aiheuttaa tulipalon ohjauspaneelin taakse. Tämä vaurioittaa grilliä eikä se ole enää turvallinen käyttää. Tämän vuoksi suosittelemme, että tarkistat grillin vähintään kerran vuodessa hämähäkkien, hyönteisten ja pesien varalta (erityisesti pitkien säilytysaikojen jälkeen). Voit suorittaa tämän purkamalla polttimen putket ja puhaltamalla niiden läpi tai harjaamalla ne puhtaiksi.

6. Ympäristöohje, Takuun ehdot & Yhteystiedot



Jos mistä tahansa syystä haluat hävittää grillisi, ota huomioon seuraavat ohjeistukset:

- * Vie grilli valtuutettuun paikalliseen liikkeeseen, joka kerää ylimääräiset kotitalouslaitteet. Ota yhteyttä paikalliseen kuntaasi selvittääksesi, missä nämä keräyspisteet sijaitsevat.
- * Tässä grillissä on merkki, joka noudattaa eurooppalaisia ohjeistuksia 2002/96EG koskien laitteiden hävittämistä. Tämä ohjeistus säätää standardit hävitettyjen laitteiden keräyksestä ja kierrätyksestä ja se koskee koko Euroopan Unionin aluetta.

Ostaaksesi grillivälineitä tai saadaksesi tietoa takuusta, huoltotoimista tai vastauksia muihin kysymyksiin, mene osoitteeseen

www.boretti.com

Voit myös lähettää kysymyksiä ja kommentteja osoitteeseen

info@boretti.com

Boretti BV

Abberdaan 114

1046 AA Amsterdam

Appliance name: Gas grill

Model number: Maggiore

Category: I3+, I3B/P(30)

Q.: Total 121.6 kW (1572 g/h)

Injector size	Main burners 11.1kW	IR Back 3.7kW	Side burner 3.6kW	IR Bottom 3.2kW
	Main burners 0.93	IR Back 0.93	Side burner 0.92	IR Bottom 0.85



Country	Category	Gas type	Pressure (mbar)	WARNING
BE	I3+	But	28-30	
	I3+	Propan	37	Il faudra utiliser un détendeur approprié.
BG	I3B/P(30)	бутан	29	
	I3B/P(30)	пропан	29	
CY	I3+	βουτάνιο	28-30	
	I3+	προπάνιο	37	Απαιτείται άλλος ρυθμιστής πίεσης αερίου.
	I3B/P(30)	βουτάνιο	29	
	I3B/P(30)	προπάνιο	29	
CZ	I3+	Butan	28-30	
	I3+	Propan	37	Vyžaduje se jiný regulátor tlaku plynu.
	I3B/P(30)	Butan	29	
DK	I3B/P(30)	Propan	29	
	I3B/P(30)	Propan	29	
EE	I3B/P(30)	Butaani	29	
	I3B/P(30)	Propani	29	
ES	I3+	Butano	28-30	
	I3+	Propano	37	Se necesita otro regulador de presión de gas.
FI	I3B/P(30)	Butaani	29	
	I3B/P(30)	Propani	29	
FR	I3+	Butane	28-30	
	I3+	Propane	37	Il faudra utiliser un détendeur approprié.
GB	I3+	Butane	28-30	
	I3+	Propane	37	Other gas pressure regulator required.
GR	I3+	βουτάνιο	28-30	
	I3+	προπάνιο	37	Απαιτείται άλλος ρυθμιστής πίεσης αερίου.
HR	I3B/P(30)	Butan	29	
	I3B/P(30)	Propan	29	
	I3B/P(30)	Butángáz	29	
HU	I3B/P(30)	Propán	29	
	I3+	Butane	28-30	
IE	I3+	Propane	37	Other gas pressure regulator required.
	I3B/P(30)	Bután	29	
IS	I3B/P(30)	Própan	29	
	I3+	Butano	28-30	
IT	I3+	Propano	37	È necessario un altro regolatore della pressione del gas.
	I3B/P(30)	Butano	29	
	I3B/P(30)	Propano	29	
LT	I3+	Butanas	28-30	
	I3+	Propano	37	Būtinias kitas duju slėgio regulatorius.
	I3B/P(30)	Butanas	29	
LV	I3B/P(30)	Propano	29	
	I3+	Butāns	28-30	
	I3+	Propāns	37	
MT	I3B/P(30)	Butāns	29	
	I3B/P(30)	Propāns	29	
	I3B/P(30)	Butan	29	
NL	I3B/P(30)	Butaan	29	
	I3B/P(30)	Propan	29	
NO	I3B/P(30)	Butan	29	
	I3B/P(30)	Propan	29	
PT	I3+	Butano	28-30	
	I3+	Propano	37	Outro regulador de pressão de gás necessário.
RO	I3B/P(30)	Butan	29	
	I3B/P(30)	Propan	29	
SE	I3B/P(30)	Butan	29	
	I3B/P(30)	Propan	29	
SI	I3+	Butan	28-30	
	I3+	Propan	37	Zahtevan je drug regulator za tlak plina.
	I3B/P(30)	Butan	29	
TR	I3B/P(30)	Propan	29	
	I3B/P(30)	Propan	29	

Boretti BV

Abberdaan 114 | 1046 AA Amsterdam | The Netherlands

www.boretti.com

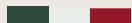


PIN: 2531CU-0105

Made in PRC



Passione in Cucina



MAGGIORE AN

NO | DRIFTSVEILEDNING

www.boretti.com

Introduksjon

Gratulerer med ditt kjøp av en ny gassgrill. Vi er overbeviste om at din lidenskap for grilling og utendørsliv vil forvandle en vanlig sommerkveld til en vakker *buena sera* og hagen din til en *giardino*.

Squadra Boretti

Les denne håndboka nøye og oppbevar den lett tilgjengelig!

Denne håndboka inneholder spesifikke instruksjoner for din sikkerhet, montering, bruk og vedlikehold av grillen. Bruk grillen kun som beskrevet i håndboka. Fornuftig og sikkert bruk er et *must*!

Contents

* 1. Generelle sikkerhetsretningslinjer	150
* 2. Deler	152
* 3. Monteringstegninger	154
* 4. Bruk av grillen	161
* 5. Vedlikehold av grillen	166
* 6. Miljøguide, Vilkår for garanti & kontaktinformasjon	169

Viktig sikkerhetsinformasjon

Kun for utendørs bruk!

Les instruksjonene før du bruker apparatet!

ADVARSEL: tilgjengelige deler kan være veldig varme.

Hold små barn borte!

Ikke flytt apparatet under bruk!

Slå av gassforsyningen til gassflasken etter bruk!

1. Generelle sikkerhetsretningslinjer

- * Les all informasjonen i denne håndboka *før bruk*.
- * Aldri la barn og dyr komme i nærheten av grillen.
- * Denne grillen må *aldri* brukes av barn, personer med mentale lidelser eller personer under påvirkning av stoffer/medisiner.
- * Bruk alltid så stor avstand som mulig når grillen antennes og er i bruk.
- * Sørg for at gassventilen på gassflaska er innenfor rekkevidde slik at du kan stenge gasstilførselen til grillen.
- * Slukk alle flammer og IKKE RØYK mens gassventilen åpnes og grillen antennes.
- * Denne grillen blir veldig varm. Forsiktighet og oppmerksomhet er derfor nødvendig ved bruk.
- * Hvis du kjenner gasslukkt, må du sjekke at alle drivstofftilkoblinger er strammet godt *før bruk*. Hvis gasslukten ikke forsvinner, må du stenge gassventilen og ta kontakt med forhandleren.
- * Hold alltid brannfarlige stoffer, gasser, væsker og materialer unna grillen, og aldri i direkte kontakt med den.
- * Hvis instruksjoner, forholdsregler og advarsler i denne håndboka ikke følges, kan brann, eksplosjoner, materialskader, personskader og til og med død være konsekvensene.
- * Kun tiltenkt privat bruk og matlaging.
- * Grillen din kan brukes med gassflasker mellom 5 kg og 6 kg. Maksimal størrelse på gassflasken bør være: Dia. 300 mm, høyde: 470 mm. Følg den tekniske informasjonen som angitt i bruksanvisningen, og sjekk med din lokale gassleverandør om du har en passende gassflaske til grillen.
- * Unngå å vri det fleksible røret når apparatet er i bruk. Lengden på den fleksible slangen skal ikke overstige 1,5 m. I Finland skal lengden ikke overstige 1,2 m. Slangen skal være sertifisert i henhold til gjeldende EN-standard og i samsvar med lokal kode.


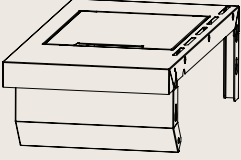
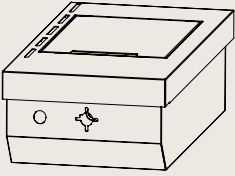
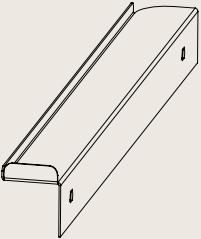
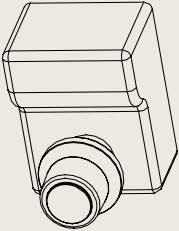
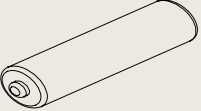
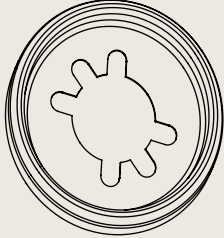
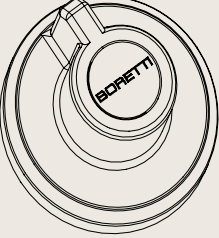


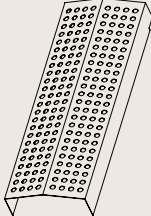

1.1 Montering

- * Sett sammen grillen i henhold til monteringstegningen i denne håndboken.
- * Feil montering eller unnlattelse av å følge riktig monteringsrekkefølge, som vist på tegningen, kan føre til svært alvorlige situasjoner.
- * Vær alltid forsiktig og vær presis under montering.
- * Alle deler må monteres som vist på monteringstegningen. Hvis en del mangler og/eller du tviler på at monteringen er korrekt, må du umiddelbart kontakte salgsstedet.
- * Du må aldri reparere eller bytte ut deler av dette utstyret med mindre dette er uttrykkelig nevnt i denne håndboken.
- * Koble aldri til en skadet gasslange til utstyret. Dette kan føre til brann.
- * I tilfelle utstyret er utstyrt med en plugg, vil dette være et jordet støpsele for å beskytte deg mot elektriske støt. Støpselet må kobles til et passende, jordet stikkontakt. Fjern ALDRI metallplatene fra pluggen.
- * IKKE modifierer apparatet.

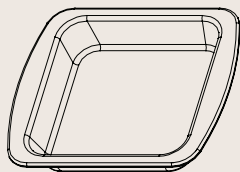
1.2 Steder for bruk

- * Bruk bare grillen utendørs og i godt ventilerte omgivelser. Bruk aldri grillen innendørs eller i et (delvis) lukket område. Giftige avgasser vil bygges opp og disse kan føre til alvorlig skade og i verste fall død.
- * Bruk aldri grillen på en brannfarlig overflate.
- * Bruk grillen kun på en hard, flat og stabil overflate som tåler vekten.
- * Hold en avstand på minst tre meter mellom grillen og alle brannfarlige materialer (tre, plastikk, folie osv.) når grillen er i bruk.
- * Hold alltid grillen unna bensin og/eller andre brannfarlige væsker og gasser, eller områder disse nevnte tingene kan være til stede.
- * Bruk aldri grillen under forhold med sterk vind.
- * Sørg for at hovedbrenneren(e) og den infrarøde brenneren på baksiden ALDRI slås på samtidig. Hvis de slås på samtidig, kan lokket til grillen ødelegges.
- * Grillen blir veldig varm. Flytt den aldri under eller rett etter bruk.
- * De fleste av Boretts griller har hjul som gjør det enkelt å flytte på dem. Vær forsiktig når grillen flyttes over ujevnt terreng ettersom hjulene kan ødelegges.
- * Ikke bruk det roterende grillspydet når det regner.
- * Størrelsen på kokekar kan brukes i grillen vår mellom 130 mm og 220 mm.

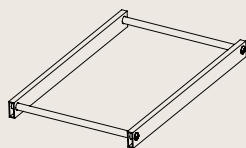
2. Deler

Grill	Bord venstre side	Brenner høyre side
		
Styreskinne for søppelsekk	Elektrisk tenner	Batteri 1x
		
Kontrollring	Kontrollknapp	Flammetemmer I
		
Flammetemmer II	Flammetemmer III	Varmestativ
		

Fettoppsamler



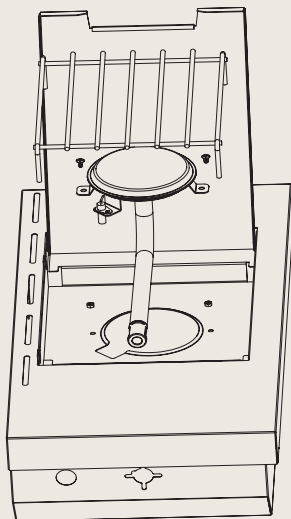
Ramme til søppelsekk



3. Monteringstegninger

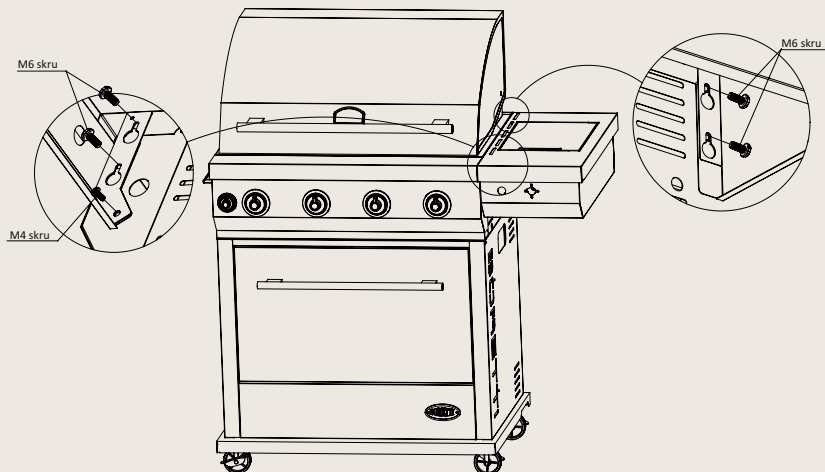
Trinn 1

Fjern pannestativet, løsne M4-mutteren og skru for å løsne sidebrenneren.



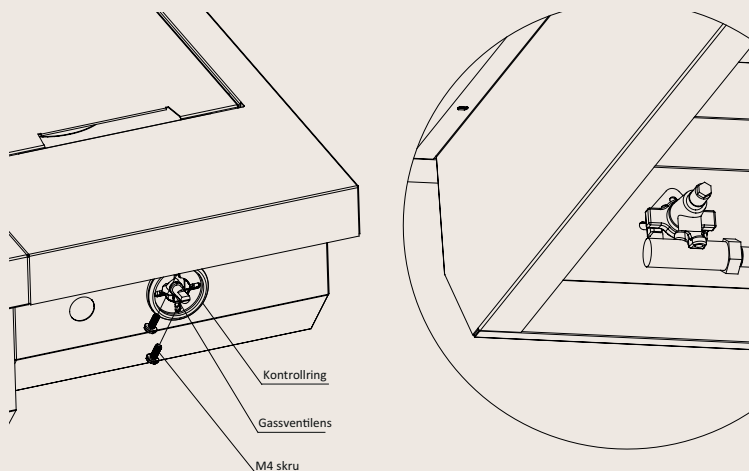
Trinn 2 - a) Løsne de fire M6-skruene og M4-skruen på høyre side av grillen med omtrent 6 mm.

- b) Skyv sidebrenneren over skruene som du har løsnet.
- c) Stram skruene igjen for å feste sidebrenneren.



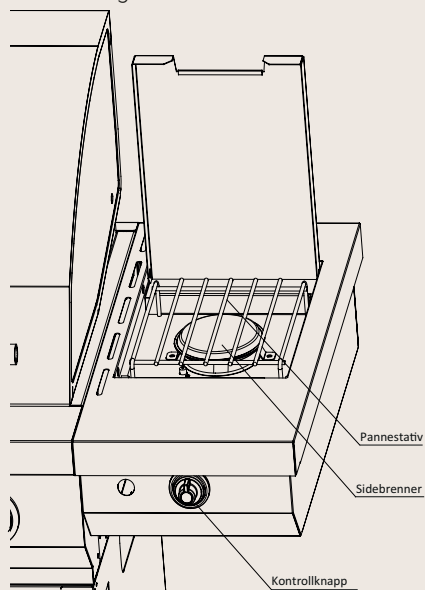
Trinn 3 - a) Sett kontrollringen på sidebrenneren og fest med den medfølgende M4-skruen.

b) Plasser den andre M4-skruen og fest den. Sørg for at "H-en" peker mot åpningen til tenneren (venstre side).

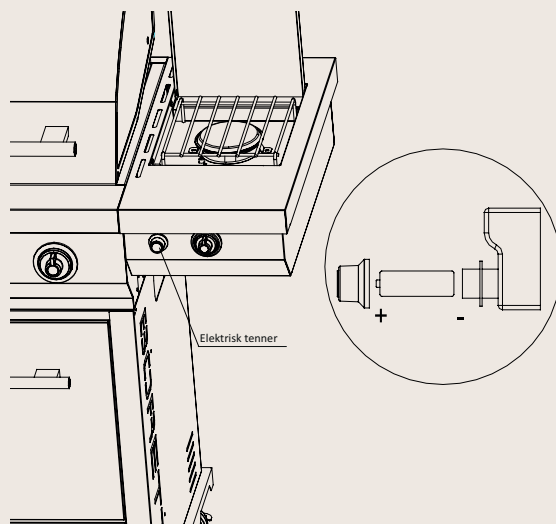


Trinn 4 - a) Installer sidebrenneren med de to M4-skruene. Sett pannestativet på plass igjen.

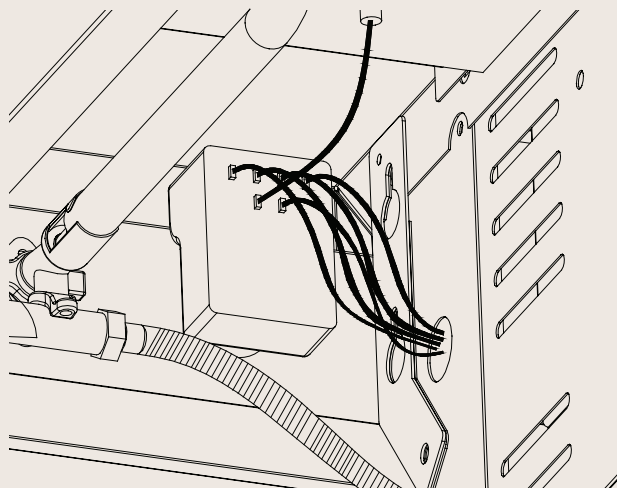
b) Installer kontrollknappen og sørg for at knappens flate side korresponderer med gassventilens flate side.



- Trinn 5** - a) Skyv den gjengede delen av tenneren gjennom åpningen på framsiden av sidebrenneren og monter låsemutteren.
- b) Plasser batteriet i beholderen med + siden vendt framover.
- c) Skru på toppen på tenneren.

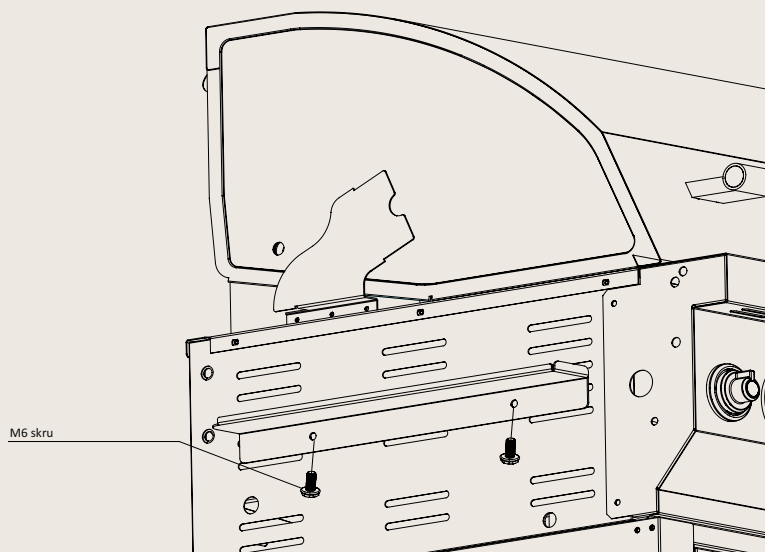


- Trinn 6** - a) Koble enden av kabelen til sidebrennerens tenner til den elektroniske tenneren.
- b) Koble de fem ledningene som rager ut fra siden av grillen til den elektroniske tenneren.



Trinn 7

Fest styreskinnen beregnet for søppelsekker til venstre for grillen og fest den.

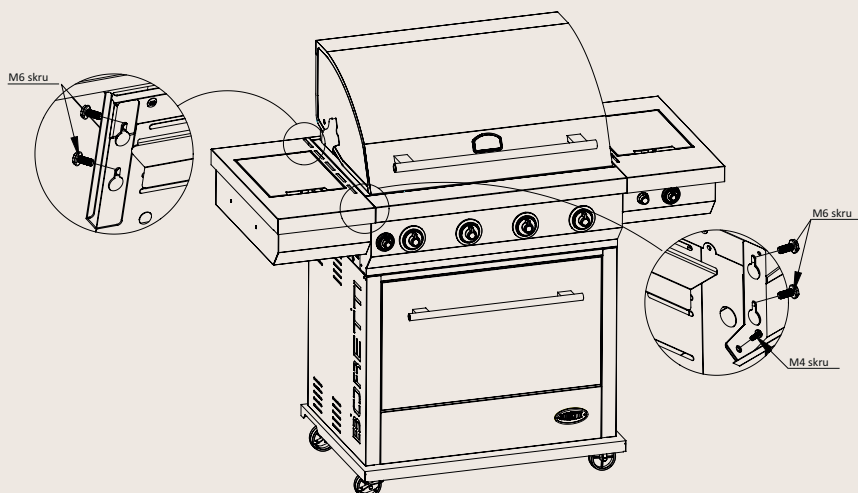


Trinn 8 - a) Løsne de fire M6-skrueene på venstre side av grillen med omtrent 6 mm.

Løsne M4-skruen fullstendig.

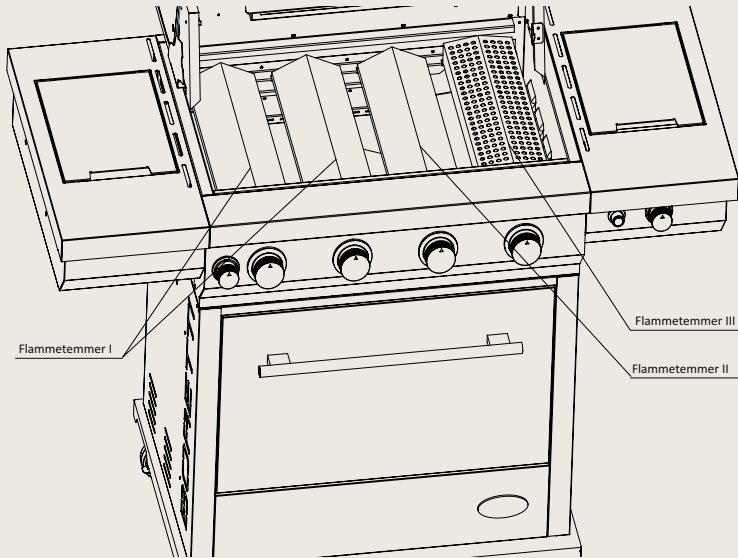
b) Skyv sidebordet over de 4 løse M6-skrueene.

c) Stram alle de fem skrueene for å feste sidebordet.

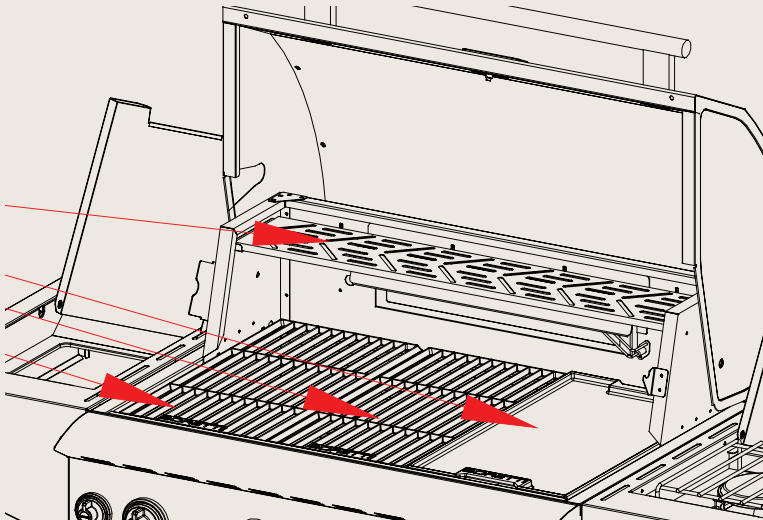


Trinn 9

Plasser flammestemmeren i utsparingene med den triangulære siden vendt oppover. Sørg for at flammestemmeren med den lange siden plasseres ved siden av den infrarøde brenneren.

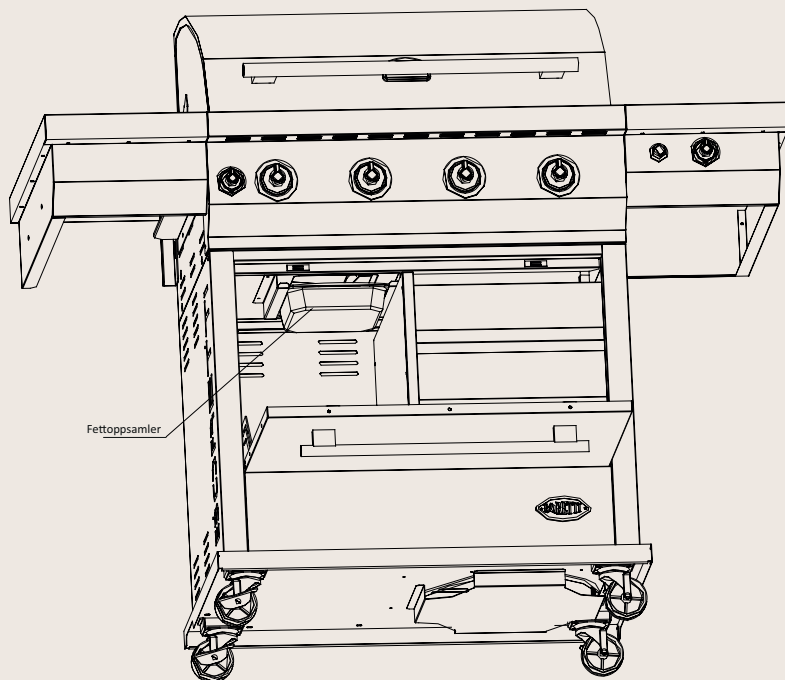


- Trinn 10** - a) Plasser stativene på hyllene i grillen.
b) Sett varmestativet på plass.



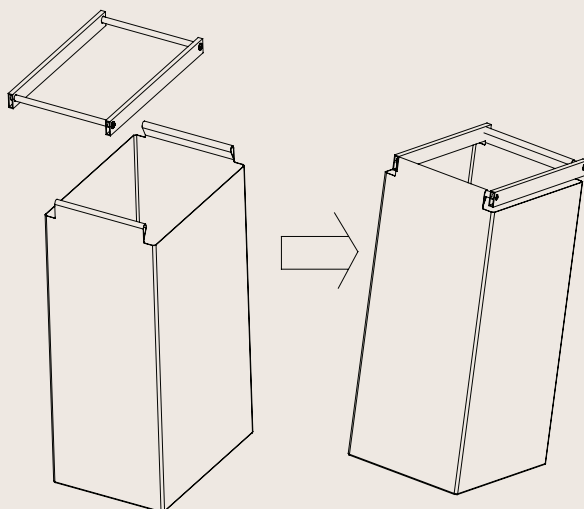
Trinn 11

Skyv fettopsamleren på plass på styreskinnene under brennerne.

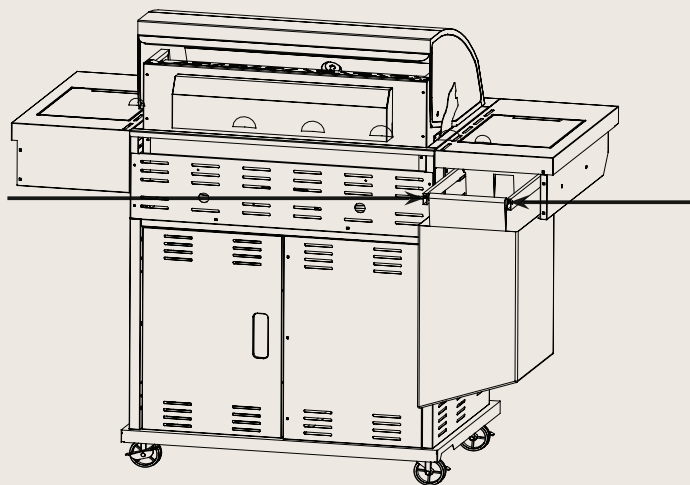


Trinn 12

Heng søppelsekken på rammen.

**Trinn 13**

Skv rammen med søppelsekken inn på styreskinnene.



4. Bruk av grillen

4.1 Generell informasjon

Selv om alle gasstilkoblingene på grillen er testet for lekkasje før transport, må en komplett test gjennomføres på monteringsstedet. Under transporten eller monteringen kan deler av grillen ha blitt fjernet. Det er også mulig at gasstrykket på utstyret er for høyt. Utfør jevnlig inspeksjoner av hele systemet for å finne eventuelle lekkasjer, og sjekk systemet umiddelbart dersom du kjenner gassluk.



4.2 Lekkasjetest

Utfør alltid en lekkasjetest før grillen tas i bruk og når grillen ikke har blitt brukt på en god stund.

- * Slukk eventuelle åpne flammer (IKKE RØYK under lekkasjetester).
- * Aldri utfør denne lekkasjetesten nær åpne flammer.
- * Lag en løsning av såpevann bestående av like deler vann og flytende såpe eller skånsom oppvasksåpe.
- * Følg stegene nedenfor:
 1. Skru av brennerne med kontrollbryterne.
 2. Fjern batteriet fra den elektriske tenningen.
 3. Åpne gassflasken.
 4. Påfør en løsning av såpevann til alle tilkoblinger av gasstilførselen. Hvis ingen såpebobler oppstår, er det ingen gasslekkasje. Hvis såpebobler oppstår, er dette en indikasjon på lekkasje. Dersom du oppdager en lekkasje, må du skru av gasstilførselen umiddelbart, stramme den tilkoblingen som lekker, åpne gassflasken igjen og gjennomføre steg 1 til 4 på nytt.
 5. Skru av gasstilførselen.
 6. Skru på brennerne med kontrollbryterne i 10 sekunder for å la trykket forsvinne fra slangen, og deretter av igjen.
 7. Fjern løsningen av såpevann fra tilkoblingene med kaldt vann og tørk med en klut. Sjekk alle tilkoblingene til gassforsyningen før hvert bruk og gjør det samme når gassflasken kobles til gasstrykkregulatoren.

Det anbefales at du sjekker gasslangene for lekkasjer hvert år, selv om gassflasken aldri har vært frakoblet utstyret.

Merk:

Sørg for at du tester alle løse tilkoblinger (inkludert sidebrennere) og, hvis påkrevd, strammer dem igjen når du tester utstyret for lekkasjer.

Merk:

Nå om dagen er de fleste gassflasker utstyrt med en mekanisme som oppdager lekkasjer inne i beholderen. Når gassen slippes for fort, vil denne mekanismen kutte gasstilførselen. En lekkasje begrenser gasstilførselen slik at det kan være vanskelig å tenne opp grillen.

Merk:

Slå av gasstilførselen og kontakt forhandleren hvis du ikke klarer å stenge en gasslekkasje. Selv en liten lekkasje kan lage en brann.

Merk:

Ta kontakt med forhandleren din hvis du etter flere forsøk ikke klarer å tenne opp grillen.

Merk:

Sørg for at kontrollbryterne er i posisjon "OFF" (AV) når du ikke bruker utstyret.

4.3 Tenne opp grillen

- * Sjekk den generelle tilstanden til brennerne (se 5.9). Ta kontakt med forhandleren din hvis du er i tvil om tilstanden til brennerne.
- * Sørg for at grillen er plassert på et plant underlag.
- * **Dette apparatet må holdes borte fra brennbare materialer under bruk.**
Hold matlagingsområdet rent og fritt for bensin og / eller andre brennbare og / eller brannfarlige stoffer eller brennbare gasser.
- * Sørg for at ingenting blokkerer brennerne og ventilasjonen.
- * Ikke bruk aluminiumsfolie rundt flammefordelerne.
- * Sørg for at det er tilstrekkelig ventilasjon for gassflaskene.

Advarsel:

- * Ikke tenn opp grillen hvis du kjenner gasslukt!
- * Sjekk gassslangen for sprekker og slitasje (se: LEKKASJETEST)
- * Hold ansiktet og kroppen din så langt unna grillen som mulig når den tennes opp.

4.4 Tenne opp grillen med en elektrisk tenner

- * Sørg for at alle brytere er i "OFF" (AV) posisjonen.
- * Åpne alltid lokket før du tenner opp grillen.
- * Åpne gasstilførselen.

Merk:

Skru ventilen SAKTE to (2) hele runder for å få riktig gasstilførsel når gassflasken åpnes.

- * Trykk og skru en av kontrollbryterne til innstillingen "HIGH" (HØY). Du vil høre en knitrende lyd. Det kan være nødvendig å holde tenneren trykket inne i rundt 10 sekunder.

Merk:

Skru bryteren tilbake til posisjon "OFF" (AV) og vent i 1 minutt før du prøver igjen med å tenne opp grillen hvis brenneren ikke antennes etter 10 sekunder.

- * Repeter stegene ovenfor også for de andre brennerne.

Merk:

På noen modeller må en separat bryter for antenning, i tillegg til kontrollbryteren, også trykkes inn.

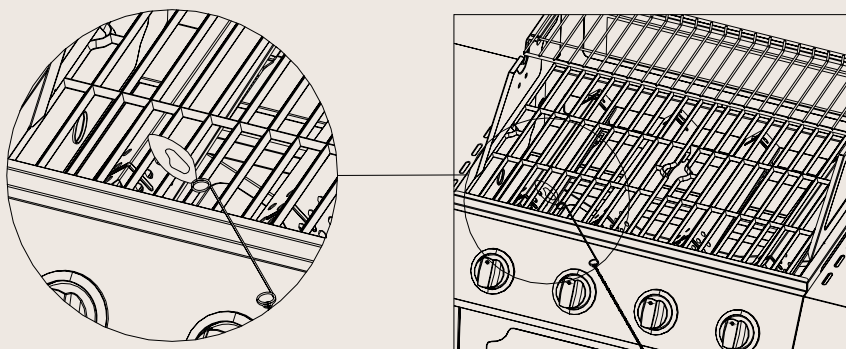
4.5 Tenne opp brennerne med en fyrstikkholder (hvis tilgjengelig)

Det er også mulig å tenne opp brennerne ved hjelp av fyrstikker hvis den elektriske tenneren ikke fungerer.

- * Plasser fyrstikken i holderen dersom grillen kommer med en fyrstikkholder.
- * Hold ansiktet ditt så langt unna grillen som mulig og pek den forlengede fyrstikken gjennom åpningene i gitteret og mot brenneren.
- * Plasser fyrstikken i nærheten av åpningene til brennerne og skru kontrollbryteren til posisjon "HIGH" (HØY).

Merk:

Ta kontakt med forhandleren din hvis du etter flere forsøk ikke klarer å tenne opp grillen.



4.6 Antenne sidebrenneren med den elektriske tenneren

- * Trykk og skru kontrollbryteren til posisjon "HIGH" (HØY). Du vil høre en knitrende lyd.
- * Det kan være nødvendig å holde tenneren trykket inne i rundt 10 sekunder.
- * Skru bryteren tilbake til posisjon "OFF" (AV) og vent i 1 minutt før du prøver igjen med å tenne opp grillen hvis brenneren ikke antennes etter 10 sekunder.

4.7 Antenne sidebrenneren med fyrstikker

Det er også mulig å tenne opp brennerne ved hjelp av fyrstikker hvis den elektriske tenneren ikke fungerer.

- * Plasser fyrstikken i holderen dersom grillen kommer med en fyrstikkholder.
- * Hold ansiktet så langt unna grillen som mulig og pek den (forlengede) fyrstikken mot åpningene til brennerne.
- * Trykk og skru kontrollbryteren til posisjon "HIGH" (HØY).

Merk:

Ta kontakt med forhandleren din hvis du etter flere forsøk ikke klarer å tenne opp grillen.

4.8 Lagring

- * Steng av gasstilførselen og la utstyret kjøles ned etter å ha brukt grillen.
- * Fjern gassflasken.
- * Lagre grillen på et godt ventilert område og hold barn unna utstyret.
- * Ikke plasser brannfarlig materiale under grillen.
- * Hvis du lagrer grillen utendørs, må du bruke et grilltrekk for å beskytte den fra vær og vind.
- * Fjern trekket jevnlig for å unngå at det dannes for mye kondens (noe som kan føre til oksidasjon) på metallkomponenten ved utendørs lagring.
- * La grillen kjøles ned før den flyttes eller trekket plasseres over den.

4.9 Bruk

- * Grillen blir veldig varm. Bruk varmebestandige hansker når grillen brukes. Ikke ta på grillen uten korrekt beskyttelse.
- * Bruk egnet grillutstyr for å tilberede mat på grillen.

5. Vedlikehold av grillen

Viktig:

Forlat ALDRI grillen ute uten å dekke den til. Regnvann kan samles opp i grillen, rammen eller fettoppsamleren. Hvis fettoppsamleren ikke har blitt rengjort etter bruk og grillen ikke er dekket til, kan brettet fylles opp med vann og fett flyte over i rammen. Vi anbefaler at du rengjør fettoppsamleren etter hvert bruk.

Viktig:

Deler som er forseglet av produsenten eller hans agent, skal ikke manipuleres av brukeren; det må ikke gjøres noen endringer på noen del av denne grillen.

5.1 Rengjøring

Ikke bruk slipende rengjøringsmidler på grillen. Disse kan ripe opp og skade overflaten. Bruk lunkent vann i kombinasjon med en myk svamp eller klut for å rengjøre metalldelene av grillkroppen.

- * Varm grillen opp ved å tenne opp hovedbrennerne til det høyeste nivået og lukk lokket. **Ikke skru på de infrarøde brennerne!**
- * La grillen varmes opp i 10 minutter til 250 grader (Celsius).
- * Slå av brennerne og la maskinen nedkjøles før du starter rengjøringen.
- * Rengjør ristene og bakebrett med en egnet rengjøringsbørste (Tilgjengelig i nettbutikken til Boretti).
- * Fjern bakeristene og bakebrettene.
- * Børst forkullede matrester mot fettoppsamleren.
- * Fjern fettoppsamleren og rengjør den med varmt vann og rengjøringsmiddel.
- * Bruk varmt vann og rengjøringsmiddel for å rengjøre utsiden av grillen.
- * Tørk grillen med en myk og ren klut.

5.2 Fettoppsamler

Fettoppsamleren må rengjøres regelmessig for å unngå oppsamling av skitt og rester.

Merk:

Sørg for at fettoppsamleren er nedkjølt før du rengjør den.

5.3 Grillrister

Grillristene kan rengjøres umiddelbart etter bruk med en egnet børste etter at grillen er slått av. Rengjøring av grillristene ved bruk av vann og avfettingsmiddel øker sjansen for oksidasjon/rust. Du kan motvirke dette ved å påføre grillristene litt olivenolje etter rengjøring.

5.4 Rustfritt stål

Etter førstegangsbruk kan deler av grillen bli misfarget av den intense varmen fra brennerne. Dette er normalt.

Kjøp et rengjøringsprodukt beregnet for rustfritt stål og bruk dette ved børsting av metallet. Fettflekker kan falle ned og brenne på delene av rustfritt stål. Dette kan føre til at noen av delene ser slitte ut. Bruk et rengjøringsprodukt uten slipeeffekt sammen med et rengjøringsprodukt beregnet for rustfritt stål for å fjerne fett.

5.5 Bytte batteriet på tenneren (hvis tilstede)

Skru bryteren på tenneren løs og fjern AA-batteriet. Sett inn et nytt AA-batteri.

5.6 Deler dekket av emalje

Noen deler på grillen har et belegg av emalje. Emalje er et glassbasert produkt og er veldig slitesterkt. Det er imidlertid ikke motstandsdyktig overfor støt og slag, noe som kan føre til hårlignende sprekker. Disse sprekkenene kan føre til at deler av emaljen brekker av og rustdannelse kan oppstå. Grillens ytelse vil ikke påvirkes av avbrukkede emaljedeler eller hårlignende sprekker. Grillens garanti gjelder ikke for skader på emaljen i området for mattilberedning etter bruk.

5.7 Ventilasjon

Brennerne kan kun fungere skikkelig dersom varmen de produserer kan unnslippe. Hvis dette ikke er mulig, kan det hende at brennerne ikke får nok oksygen. Dette kan føre til tilbakeslag, spesielt hvis brennerne er satt til "HIGH" (HØY). Hvis dette skjer regelmessig, kan brennerne utvikle sprekker. På grunn av dette finnes det ventilåpninger rundt grillen. Disse lar varm luft slippe ut. Sørg alltid for at det er tilstrekkelig rom rundt området for mattilberedning (ristene vil sørge for tilstrekkelig rom). Dekk aldri ventilåpningene med aluminiumsfolie eller andre materialer som kan forhindre tilstrekkelig lufting. La ALDRI matlagingsflaten være fullstendig dekket til, for eksempel med en stor panne eller fyll den opp helt med grillbrett.

5.8 Bytte ut gasslangen

Gasslangen bør byttes ut hvert andre år. Gasslanger av gummi kan tørke ut og dette kan føre til lekkasjer.

5.9 Brennere

Det er vanlig at rust (oksidering) oppstår rundt brennere. Matrester må fjernes regelmessig. Dette kan gjøres med en grillbørste. Brennerne må periodevis fjernes for inspeksjon, spesielt etter lengre perioder med lagring/uten bruk. Den generelle tilstanden til brennerne må sjekkes. Det er viktig å passe på at åpningene ikke er blokkerte. Brennerne kan rengjøres med en børste. Sørg for at gassventilene og tennelektroden ikke skades når brennerne fjernes. En åpning har blitt plassert i den første delen av brenneren for å sikre at nok oksygen kan tilføres for å danne en brennbar blanding. Dette betyr at du vil se en liten åpning akkurat der gassventilen kobles til brenneren. Ingen gass vil lekke fra dette.

5.10 Edderkopper og insekter

Insekter kan lage reder på innsiden av grillens brennere, noe som kan føre til at gass strømmer fra fremsiden av brennerne. Dette er farlig ettersom en brann bak kontrollpanelet kan oppstå. Grillen kan dermed ødelegges og den vil ikke lenger være trygg å bruke. Vi anbefaler derfor at du sjekker grillen minst en gang i året for insekter, edderkopper og reder (spesielt etter lengre lagringsperioder). Du kan gjøre dette ved å demontere rørene til brennerne og blåse gjennom dem, eller bruke en børste til de er rene.

6. Miljøguide, Vilkår for garanti & kontaktinformasjon



Les følgende retningslinjer hvis du av ulike årsaker ønsker å kaste gassgrillen din:

- * Lever grillen til et sted som tar imot husholdningsutstyr. Ta kontakt med kommunen din for å finne ut hvor slike steder finnes.
- * Denne grillen har merket som overholder de europeiske retningslinjene 2002/96EG om kasting av utstyr. Disse retningslinjene bestemmer standarden for innsamling og gjenvinning av kastet utstyr som gjelder for hele EUs territorium.

For grilltilbehør, garanti, serviceforhold og andre spørsmål, sjekk ut:

www.boretti.com

Du kan også sende spørsmål og forslag til

info@boretti.com

Boretti BV

Abberdaan 114

1046 AA Amsterdam

Appliance name: Gas grill

Model number: Maggiore

Category: I3+, I3B/P(30)

Q.: Total 121.6 kW (1572 g/h)

Injector size Main burners 11.1kW IR Back 3.7kW Side burner 3.6kW IR Bottom 3.2kW
Main burners 0.93 IR Back 0.93 Side burner 0.92 IR Bottom 0.85



Country	Category	Gas type	Pressure (mbar)	WARNING
BE	I3+	But	28-30	
	I3+	Propan	37	Il faudra utiliser un détendeur approprié.
BG	I3B/P(30)	бутан	29	
	I3B/P(30)	пропан	29	
CY	I3+	βουτάνιο	28-30	
	I3+	προπάνιο	37	Απαιτείται άλλος ρυθμιστής πίεσης αερίου.
	I3B/P(30)	βουτάνιο	29	
	I3B/P(30)	προπάνιο	29	
CZ	I3+	Butan	28-30	
	I3+	Propan	37	Vyžaduje se jiný regulátor tlaku plynu.
	I3B/P(30)	Butan	29	
DK	I3B/P(30)	Propan	29	
	I3B/P(30)	Propan	29	
	I3B/P(30)	Propan	29	
EE	I3B/P(30)	Butaani	29	
	I3B/P(30)	Propani	29	
ES	I3+	Butano	28-30	
	I3+	Propano	37	Se necesita otro regulador de presión de gas.
FI	I3B/P(30)	Butaani	29	
	I3B/P(30)	Propani	29	
FR	I3+	Butane	28-30	
	I3+	Propane	37	Il faudra utiliser un détendeur approprié.
GB	I3+	Butane	28-30	
	I3+	Propane	37	Other gas pressure regulator required.
GR	I3+	βουτάνιο	28-30	
	I3+	προπάνιο	37	Απαιτείται άλλος ρυθμιστής πίεσης αερίου.
HR	I3B/P(30)	Butan	29	
	I3B/P(30)	Propan	29	
	I3B/P(30)	Butángáz	29	
HU	I3B/P(30)	Propán	29	
	I3+	Butane	28-30	
IE	I3+	Propane	37	Other gas pressure regulator required.
	I3B/P(30)	Bután	29	
IS	I3B/P(30)	Própan	29	
	I3+	Butano	28-30	
IT	I3+	Propano	37	È necessario un altro regolatore della pressione del gas.
	I3B/P(30)	Butano	29	
	I3B/P(30)	Propano	29	
LT	I3+	Butanas	28-30	
	I3+	Propano	37	Būtinias kitas duju slėgio regulatorius.
	I3B/P(30)	Butanas	29	
LV	I3B/P(30)	Propano	29	
	I3+	Butāns	28-30	
	I3+	Propāns	37	
MT	I3B/P(30)	Butāns	29	
	I3B/P(30)	Propāns	29	
	I3B/P(30)	Butan	29	
NL	I3B/P(30)	Propan	29	
	I3B/P(30)	Butaan	29	
NO	I3B/P(30)	Propan	29	
	I3B/P(30)	Butan	29	
PT	I3+	Butano	28-30	
	I3+	Propano	37	Outro regulador de pressão de gás necessário.
RO	I3B/P(30)	Butan	29	
	I3B/P(30)	Propan	29	
SE	I3B/P(30)	Butan	29	
	I3B/P(30)	Propan	29	
SI	I3+	Butan	28-30	
	I3+	Propan	37	Zahtevan je drug regulator za tlak plina.
	I3B/P(30)	Butan	29	
TR	I3B/P(30)	Propan	29	
	I3B/P(30)	Butan	29	
	I3B/P(30)	Propan	29	

Boretti BV

Abberdaan 114 | 1046 AA Amsterdam | The Netherlands

www.boretti.com

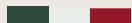
CE 2531/22

PIN: 2531CU-0105

Made in PRC



Passione in Cucina



MAGGIORE AN

SE | ANVÄNDARINSTRUKTIONER

www.boretti.com

Inledning

Grattis till köpet av din nya grill. Vi är övertygade om att du, med din passion för grillning och utomhusliv, kommer att förvandla en helt vanlig sommarkväll till en vacker *buona sera* och din trädgård till en *giardino*.

Squadra Boretti

Läs den här manualen noga och spara den

Den här manualen innehåller specifika instruktioner för din säkerhet, för monteringen, användandet och underhållet av din grill. Använd endast grillen i enlighet med instruktionerna. Sunt förnuft och försiktighet vid användningen är ett absolut *måste*!

Innehåll

* 1. Allmänna säkerhetsinstruktioner	174
* 2. Delar	177
* 3. Monteringsritningar	179
* 4. Använd din grill	186
* 5. Underhåll av din grill.....	191
* 6. Miljöguide, Garantivillkor och Kontaktinformation.....	194

Viktig säkerhetsinformation

Använd endast utomhus!

Läs instruktionerna innan apparaten används!

WARNING: åtkomliga delar kan vara mycket heta. Håll små barn borta!

Flytta inte apparaten under användning!

Stäng av gastillförseln vid gasbehållaren efter användning!

1. Allmänna säkerhetsinstruktioner

- * Före användandet, *läs först* hela informationen i denna manual.
- * Låt *aldrig* barn eller husdjur komma i närheten av grillen.
- * Denna grill får *aldrig* användas av barn, personer med nedsatt mental förmåga eller personer under beteendeförändrande substanser och/eller mediciner.
- * Håll alltid så stort avstånd som möjligt när grillen tänds och används.
- * Byt gasflaskan långt ifrån antändningskällor.
- * Gasflaskan kan placeras under grillen. Detta gäller ej för bordsmodeller av grillar.
- * Se till att gasslangen inte böjs under installeringen av gasregulatorn.
- * Den medföljande gasregulatorn bör användas. Om en ny gasregulator installeras, se till att den uppfyller kraven i EN 16129. Gastrycket måste vara samma som anges på märkningen på grillen.
- * Försäkra att gasreglaget på gastuben är inom räckhåll, så att du kan stänga av gastillförseln till grillen.
- * Släck alla öppna lågor och RÖK EJ när gasreglaget öppnas och grillen tänds.
- * Denna grill blir extremt varm, särskild hänsyn och uppmärksamhet krävs därför vid användandet.
- * Om du känner lukt av gas, se efter att alla bränsleanslutningar är tillslutna och säkrade innan användandet. Om gaslukten kvarstår, stäng av gasreglaget och kontakta din återförsäljare omedelbart.
- * Håll brännbara och/eller lättantändliga substanser, gaser, vätskor och material borta från grillen hela tiden och låt dem aldrig komma i direktkontakt med den.
- * Att bortse från och/eller på ett felaktigt sätt följa dessa instruktioner,
- * försiktighetsåtgärder, säkerhetsföreskrifter, varningar och faror som inkluderas i denna bruksanvisning kan leda till eldsvådor eller explosioner samt till materiell eller fysisk skada och dödsfall.
- * Endast för hushållsanvändning och uteslutande för tillagning av mat.

- * Din grill kan användas med gasbehållare mellan 5 kg och 6 kg. Gasbehållarens maximala storlek ska vara: diam. 300 mm, höjd: 470 mm. Följ den tekniska informationen som anges i bruksanvisningen och kontrollera med den lokala gasleverantören om vilken gasbehållare som är lämplig för grillen.
- * Undvik att vrida den flexibla slangen när apparaten används. Längden på den flexibla slangen får inte överstiga 1,5 m. I Finland får längden inte överstiga 1,2 m. Slangen ska vara certifierad enligt tillämplig EN-standard och överensstämna med lokala föreskrifter.

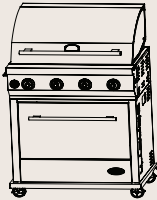
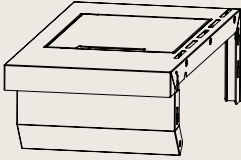
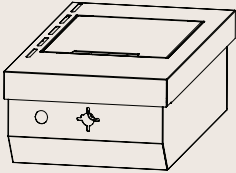
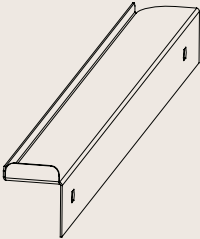
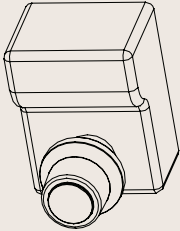

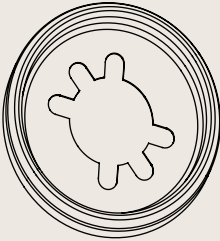
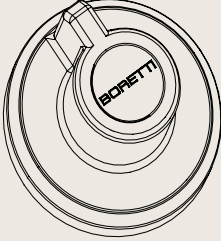

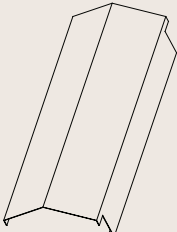
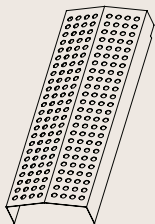

1.1 Montering

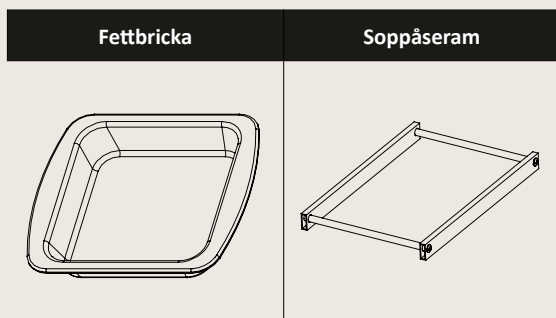
- * Montera grillen enligt monteringsritningen som finns i denna handbok.
- * Vid felaktig montering eller om den korrekta monteringsordningen inte följs, så som visas på bilden, kan det leda till mycket allvarliga situationer.
- * Var alltid försiktig och noggrann vid monteringen.
- * Alla delar måste monteras så som visas på monteringsritningen. Kontakta omedelbart försäljningsstället om en del saknas och/eller vid tvivel på att monteringen är korrekt.
- * Reparera eller byt aldrig delar av utrustningen själv om detta inte uttryckligen nämns i den här handboken.
- * Anslut aldrig en skadad gasslang till utrustningen. Detta kan leda till brand.
- * Om utrustningen är utrustad med en stickkontakt, kommer detta att vara en jordad stickkontakt som skyddar mot elektriska stötar. Stickkontakten måste anslutas till ett lämpligt jordat uttag. Ta ALDRIG bort metallplattorna från stickkontakten.
- * ÄNDRA INTE apparaten.

1.2 Plats för användning

- * Använd endast grillen utomhus och på ett väl ventilerat utrymme. Använd aldrig grillen inuti eller i ett med någon del (delvis) slutet utrymme. Giftig rök kan skapas och denna kan orsaka allvarlig kroppsskada eller dödsfall.
- * Använd *aldrig* grillen på en brandfarlig eller lättantändlig yta.
- * Använd endast grillen på en hård, plan och stabil yta som klarar av tyngden.
- * Håll ett avstånd om minst 3 meter mellan grillen och alla brandfarliga och/eller lättantändliga material (trä, plast, bladverk etc.) när grillen används.
- * Håll *alltid* grillen borta från bensin och/eller andra brandfarliga eller lättantändliga vätskor, brandfarliga gaser, rök eller områden där du misstänker att de kan finnas.
- * Använd *aldrig* grillen vid starka vindar.
- * Försäkra dig om att huvudbrännaren(na) och den infraröda brännaren på baksidan ALDRIG slås på samtidigt. Detta kan leda till locket på grillen vrids eller bucklas.
- * Grillen blir extremt varm, flytta den *aldrig* under eller kort efter användning.
- * De flesta Boretti-grillar har hjul som gör dem lätta att flytta. Var försiktig när du flyttar grillen över ojämn terräng. Annars kan hjulen bli skadade.
- * Använd inte stekpipan vid regn.
- * Storleken på kokkärl som kan användas i vår grill är mellan 130 mm och 220 mm.

2. Delar

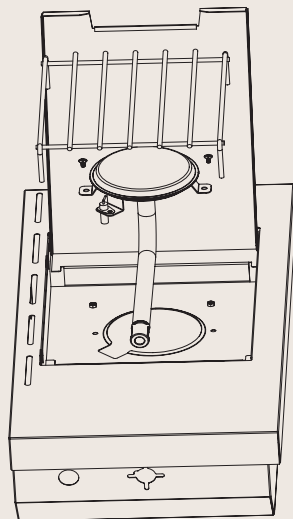
Grill	Bord på vänster sida	Brännare på höger sida
		
Soppåseskenor	Elektronisk brännare	Batteri
		
Kontrollring	Kontrollknapp	Flametamer I
		
Flametamer II	Flametamer III	Uppvärmningsställ
		



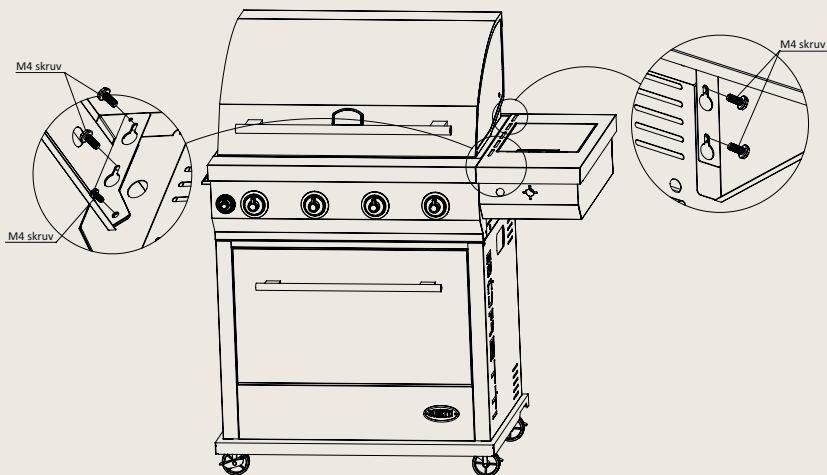
3. Monteringsritningar

Steg 1

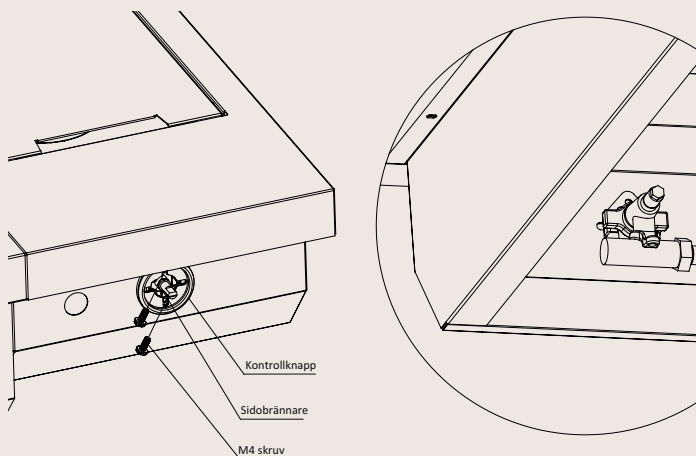
Ta bort stativet och lossa M4-muttern och skruva för att lossa sidbrännaren.



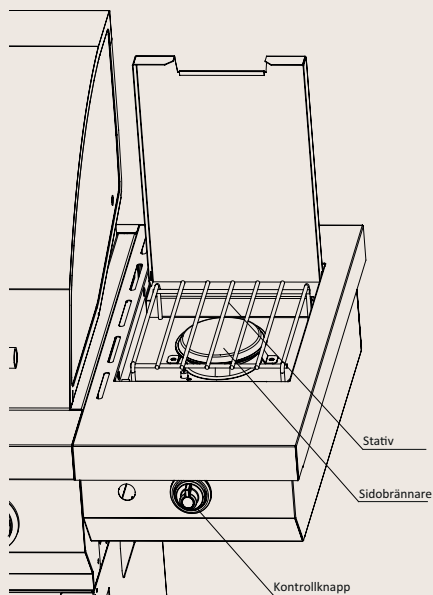
- Steg 2** - a) Lossa 4x M6 och 1x M4 skruvarna på höger sida av grillen med ca 6 mm.
b) Skjut sidbrännarens utskärningar över skruvarna som du har lossat.
c) Dra åt skruvarna igen för att säkra sidbrännaren.



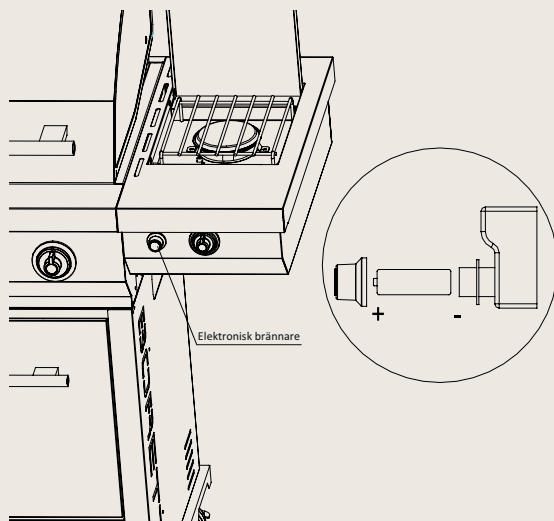
- Steg 3** - a) Placera kontrollringen på sidobrännaren och dra åt den medföljande M4-skraven.
 b) Placera den andra M4-skraven och dra åt den, så att "H" pekar på tändningsöppningen (vänster sida).



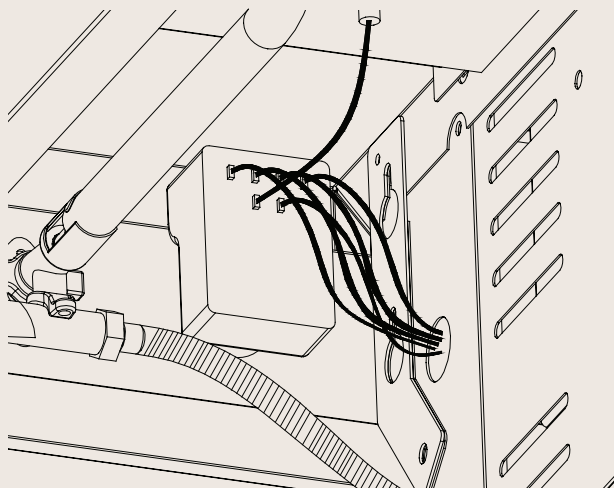
- Steg 4** - a) Montera sidbrännaren med 2x M4-skraven. Sätt tillbaka stativet på plats.
 b) Montera kontrollknappen och se till att den platta sidan av knappen motsvarar gasventilens platta sida.



- Steg 5** - a) Skjut in den gängade delen av tändaren genom öppningen på framsidan av sidobrännaren och installera låsmuttern.
- b) Placera batteriet i hållaren med + sidan framåt.
- c) Skruva toppen på tändaren.

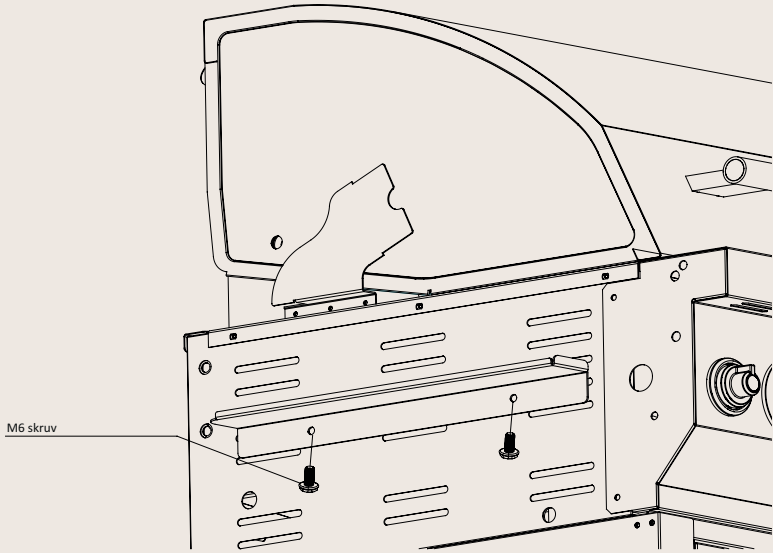


- Steg 6** - a) Anslut änden av sidobrännarens tändningskabel med den elektroniska tändaren.
- b) Anslut de fem kablarna som sticker ut från grillens sida med den elektroniska tändaren.



Steg 7

Sätt soppåseskenorna på vänster sida av grillen och fast dem med 2x M6x10 skruvar.

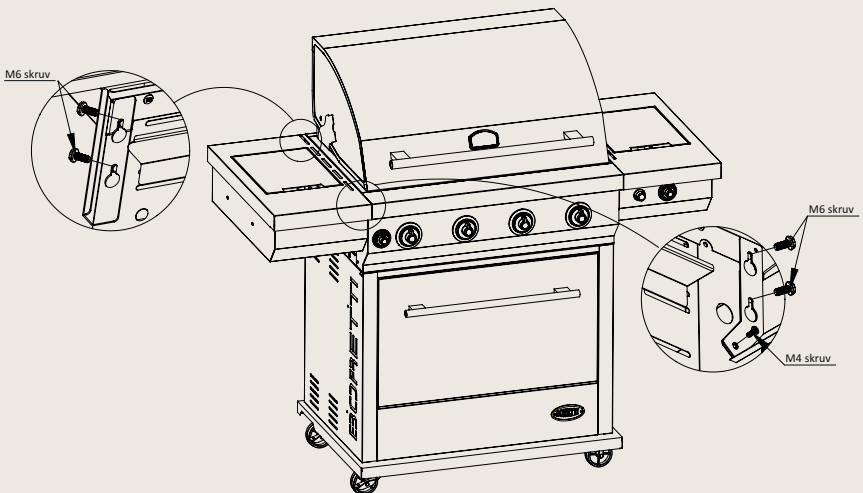


Steg 8 - a) Lossa 4x M6 och 1x M4 skruvarna till vänster om grillen med ca 6 mm.

Lossa 1 x M4 skruven helt.

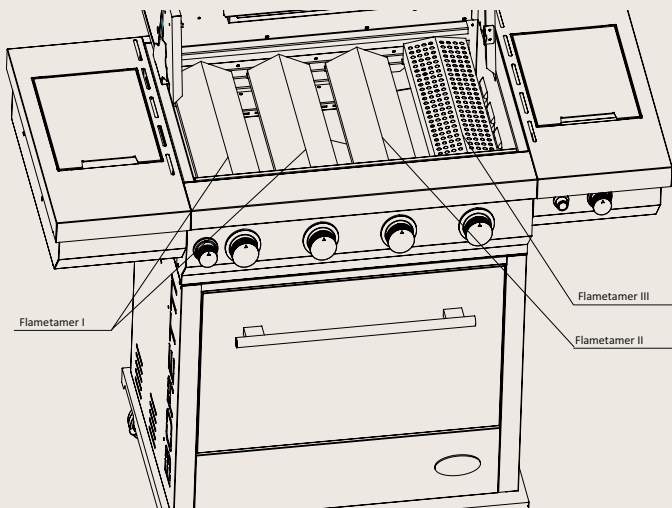
b) Skjut sidobordet över de 4 skruvarna.

c) Dra åt de fem skruvarna igen för att säkert fästa sidobordet.



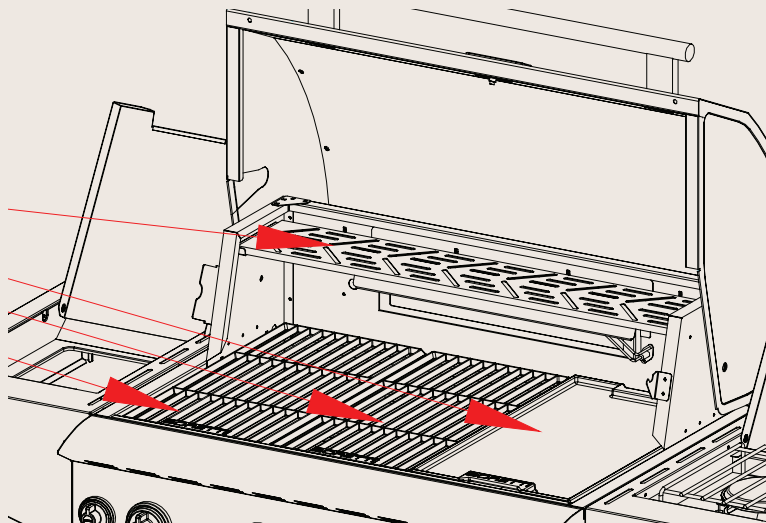
Steg 9

Placera flammetamers i urtagen med den triangulära sidan uppåt. Se till att flammetamern med den långa sidan placeras bredvid den infraröda brännaren.



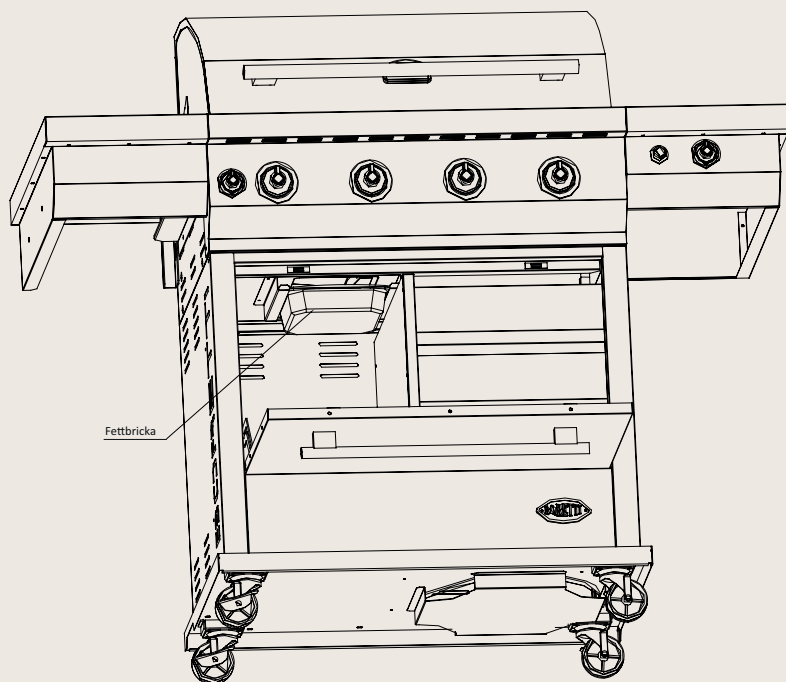
Steg 10 - a) Sätt stativet på avsatserna i grillen.

b) Placera värmestativet.



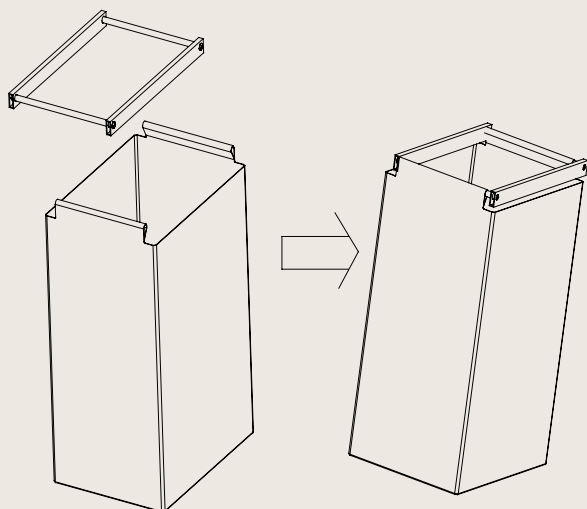
Steg 11

Skjut fettbrickan i styrskenorna under brännarna.

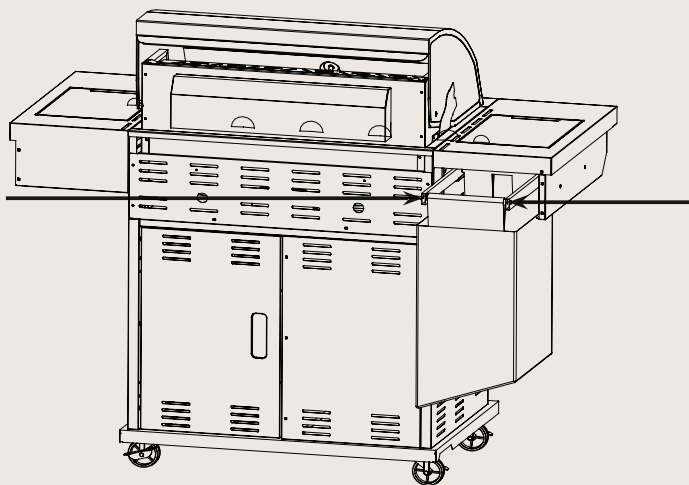


Steg 12

Häng soppåsen på sin ram.

**Steg 13**

Skjut in ramen med soppåsen i styrskenor.



4. Använd din grill

4.1 Allmän information

Trots att alla gasanslutningar på grillen testas för läckage före transport måste ett komplett prov utföras på monteringsplatsen. Under transport eller montering kan delar av grillen ha flyttats. Det är också möjligt att gastrycket på utrustningen är för högt. Kontrollera regelbundet hela systemet för läckage och kontrollera omedelbart systemet om du känner lukten av gas.

Gasbehållare 5-6 kg



4.2 Test för gasläckage

Genomför alltid ett gasläckagetest före användning av grillen eller när grillen inte har använts under en tid.

- * Släck samtliga öppna lågor (RÖK EJ när du testar för gasläckor).
- * Genomför aldrig detta gasläckagetest nära öppna lågor.
- * Gör en tvållösning bestående av lika delar vatten och flytande tvål eller mjuk tvättvätska
- * Följ stegen nedan:
 1. Vrid brännarnas kontrollknappar till av.
 2. Ta bort batteriet från den elektriska tändningen.
 3. Öppna gasflaskan.
 4. Applicera tvållösningen på alla anslutningar för gastillförsel. Om inga tvålbubblor bildas finns det inget gasläckage. Om tvålbubblor börjar bildas vid en anslutning, indikerar detta en läcka. Om du upptäcker en läcka, stäng av gasen direkt, dra åt de läckande anslutningarna ordentligt, öppna gasflaskan igen och upprepa steg 1 till 4.
 5. Stäng av gastillförseln.
 6. Slå på brännarnas kontrollknappar i 10 sekunder för att släppa ut trycket ur slangen och vrid sedan reglaget till på igen.
 7. Ta bort tvållösningen från utrustningens anslutningar med kallt vatten och gnugga med en trasa. Kontrollera alla gasanslutningar före varje användning och gör detsamma när gasflaskan är ansluts till gasregulatorn.

Det rekommenderas att du kontrollerar gasslangen för läckage varje år, även om gasflaskan inte har kopplats från utrustningen.

Obs!

Se till att du testar alla lösa anslutningar (inklusive sidbrännaren) och dra vid behov åt dem igen när du testar utrustningen för läckage. Även en liten läcka i systemet kan leda till en farlig situation.

Obs!

Idag är de flesta gasflaskor försedda med en mekanism som upptäcker läckage inuti behållaren. När gasen släpps för snabbt avbryter denna mekanism gasförsörjningen. En läcka kan allvarligt begränsa gastillförseln, vilket gör det svårt att tända grillen.

Obs!

Om du inte kan stänga av en gasläcka, stäng av gasen och kontakta ditt försäljningsställe. Även en liten läcka kan orsaka brand.

Obs!

Om du efter flera försök inte kan tända grillen, kontakta ditt försäljningsställe.

Obs!

Kontrollera att styrknapparna är i läge "OFF" när du inte använder utrustningen.

4.3 Tända grillen

- * Kontrollera brännarnas allmänna tillstånd (se 5.9). Om du är osäker på brännarnas skick, kontakta då din återförsäljare.
- * Se till att grillen placeras på en jämn yta.
- * **Den här apparaten måste hållas borta från brandfarliga material under användning.** Håll matlagingsområdet rent och fritt från bensin och/eller andra brandfarliga och/eller lättantändliga ämnen, brandfarliga gaser eller brandfarliga ångor.
- * Se till att ingenting blockerar brännare eller ventilation.
- * Använd inte aluminiumfolie i emaljbrännaren eller runt flamfördelarna.
- * Se till att det finns tillräcklig ventilation för gasflaskan.

Varning:

- * Tänd inte grillen om du känner lukt av gas!
- * Kontrollera gasslangen efter sprickor eller slitage (se: GASLÄCKAGETEST).
- * Håll ansiktet och kroppen så långt borta från grillen som möjligt när du tänder den.

4.4 Tända brännarna med elektrisk tändare

- * Kontrollera att alla knappar är i läge "AV".
- * Öppna alltid locket innan du tänder grillen.
- * Öppna gastillförseln.

Obs!

När du öppnar gasflaskan, vrid ventilen SAKTA två (2) varv för att få rätt gastillförsel.

- * Tryck och vrid en av kontrollknapparna till "HÖG"-inställningen. Du kommer att höra ett knäppande ljud. Det kan vara nödvändigt att hålla tändaren nedtryckt i ca 10 sekunder.

Obs!

Om brännaren inte tänds efter 10 sekunder, vrid knappen till "OFF"-läget och vänta 1 minut innan du försöker igen.

- * Upprepa ovanstående steg även för de andra brännarna.

Obs!

På vissa modeller behöver, utöver kontrollknappen, en separat tändningsknapp tryckas in.

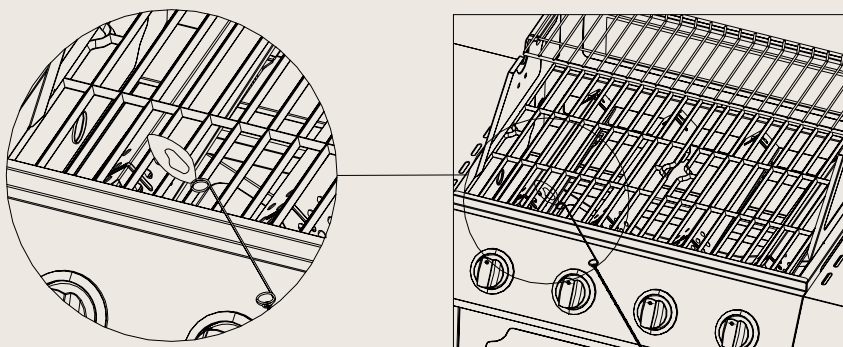
4.5 Tändning av brännarna med tändsticksförlängare (om tillgänglig)

Om den elektriska tändaren inte lyckas tända brännarna, är det även möjligt att tända brännarna med hjälp av en tändsticka.

- * Lägg tändstickan i förlängningsdelen om grillen levereras med en tändsticksförlängare.
- * Håll ansiktet så långt bort som möjligt från grillen och rikta den förlängda tändstickan genom öppningarna i gallret mot brännaren.
- * Placera tändstickan nära brännöppningarna och vrid kontrollreglaget till läget "HÖG".

Obs!

Om du efter flera försök fortfarande inte kan tända grillen, vänligen kontakta ditt försäljningsställe.



4.6 Tändning av sidbrännaren med elektrisk tändare

- * Tryck och vrid kontrollknappen till läget "HÖG". Du kommer att höra ett knäppande ljud.
- * Det kan vara nödvändigt att hålla tändaren nedtryckt i ca 10 sekunder.
- * Om brännaren inte tänds efter 10 sekunder, vrid tillbaka knappen till "AV" och vänta 1 minut innan du försöker igen.

4.7 Tändning av sidbrännaren med tändstickor

Om den elektriska tändaren inte lyckas tända brännaren är det även möjligt att tända den med hjälp av en tändsticka.

- * Lägg tändstickan i förlängningsdelen om grillen levereras med en matchningsförlängare.
- * Håll ansiktet så långt bort som möjligt från grillen och rikta (den förlängda) tändstickan mot brännöppningarna.
- * Tryck och vrid kontrollknappen till läget "HÖG".

Obs!

Om du efter flera försök fortfarande inte kan tända grillen, vänligen kontakta ditt försäljningsställe.

4.8 Förvaring

- * När du har använt din grill, stäng gasanordningen och låt utrustningen svalna.
- * Ta bort gasflaskan.
- * Förvara grillen på ett väl ventilerat utrymme och håll barn borta från utrustningen.
- * Placera inte lättantändliga material under grillen.
- * Om du lagrar grillen ute, använd ett skydd för att skydda grillen från elementen. Vid förvaring utomhus, ta bort skyddet regelbundet för att förhindra överdriven kondensbildning (vilket kan leda till oxidation) på metallkomponenterna.
- * Låt grillen svalna innan du lägger på kåpan eller försöker flytta utrustningen.

4.9 Användning

- * Grillen blir extremt het, använd värmeståliga handskar när grillen används. Rör inte grillen utan rätt skydd.
- * Använd lämpliga grillredskap för att laga mat på grillen.

5. Underhåll av din grill

Viktigt:

Lämna aldrig grillen utomhus utan att täcka över den. Regnvatten kan samlas i grillen, ramen eller fettbehållaren. Om fettbehållaren inte har rengjorts efter användning och grillen är avtäckt, kan facket fyllas med vatten vilket gör att vatten och fett rinner in i ramen. Vi rekommenderar att du rengör fettbehållaren efter varje användning.

Viktigt:

Delar som plomberats av tillverkaren eller dennes representant får inte manipuleras av användaren. Inga ändringar får göras på någon del av denna grill.

5.1 Rengöring

Använd inte slipande rengöringsmedel på grillen. Dessa kan repa och skada ytan. Använd ljummet vatten i kombination med en mjuk svamp eller trasa för att rengöra grillens metalledar.

- * Värm grillen genom att tända huvudbrännarna på högsta inställningen och stäng locket. **Slå inte på den infraröda brännaren!**
- * Låt grillen värma upp i ca 10 minuter till 250 grader (Celsius).
- * Stäng av brännarna och låt maskinen svalna innan du börjar rengöringen.
- * Rengör stativ och bakplåtar med en lämplig rengöringsborste (Finns i Borettis Webshop).
- * Ta bort bakställningen och bakplåten.
- * Borsta förkolnade (mat-) rester mot fettbehållaren.
- * Avlägsna fettbehållaren och rengör den med varmt vatten och tvättmedel.
- * Använd varmt vatten och rengöringsmedel för att rengöra grillens utsida.
- * Torka grillen med en mjuk, ren trasa.

5.2 Fettbehållaren

Fettbehållaren måste rengöras regelbundet för att undvika uppbyggnad av smuts och rester.

Obs!

Kontrollera att fettbehållaren har svalnat innan du rengör den.

5.3 Grill racks

Grillställen kan rengöras omedelbart efter tillagningen, när grillen är avstängd, med hjälp av en lämplig rengöringsborste. Rengöring av grillställen med vatten och avfettningsmedel ökar risken för oxidation/rost. Du kan motverka detta genom att behandla grillställen med lite olivolja efter rengöring.

5.4 Rostfritt stål

Efter den första användningen kan delar av grillen bli missfärgad av den intensiva värmen från brännarna. Det är normalt.

Köp en rengöringsprodukt för rostfritt stål och använd den när du borstar av metallen. Det är möjligt att fettfläckar landar på det rostfria stålet och bränner fast, vilket kan leda till att vissa delar ser slitna ut. Använd ett rengöringsmedel som inte slipar tillsammans med ett rengöringsmedel för rostfritt stål för att avlägsna fett.

5.5 Byte av batteriet till tändningen (om tillgänglig)

Vrid vredet på tändningen och ta bort AA-batteriet. Sätt ett nytt AA-batteri på plats.

5.6 Emaljerade delar

Några av delarna på grillen har en emaljbeläggning. Emalj är en glasbaserad produkt och mycket slitstark och hållbar. Det är emellertid inte resistent mot stötar och slag, vilket kan leda till hårfina sprickor. Sprickorna kan leda till att små bitar emalj bryts loss, vilket leder till rostbildning. Funktionen på din grill kommer inte att påverkas av avbrutna bitar eller hårfina sprickor. Inga anspråk kan göras avseende skador på emalj i kokplattan efter användning.

5.7 Ventilation

Brännarna kan endast fungera ordentligt om värmen de producerar också kan försvinna. Om detta inte är möjligt, kan brännarna inte få tillräckligt med syre, vilket kan orsaka baktändning, särskilt om brännarna är inställda på "HÖG". Om det händer regelbundet kan det orsaka att brännaren utvecklar sprickor. Av denna anledning finns det ventilationsöppningar runt grillen. Dessa låter den heta luften ledas ut. Se alltid till att det finns tillräckligt med utrymme runt matlagningsområdet (stativen ger tillräckligt med utrymme). Täck aldrig ventilationsöppningarna med aluminiumfolie eller annat material som kan hindra luftflödet. Låt aldrig matlagningsytan vara helt täckt, till exempel med en stor panna eller genom att fylla den helt med grillpåsar.

5.8 Byte av gasflaska

Gasslangen ska bytas vartannat år. Gummigaslangar kan torka ut vilket kan leda till gasläckage.

5.9 Brännare

Det är normalt att rost (oxidation) bildas runt brännarna. Livsmedelsrester måste avlägsnas regelbundet. Detta kan göras med hjälp av en grillrengöringsborste. Brännare måste regelbundet avlägsnas för inspektion och rengöring, särskilt efter en periods utebliven användning/förvaring. Brännarnas allmänna tillstånd måste kontrolleras för att säkerställa att öppningarna inte blockeras. Brännarna kan rengöras med hjälp av en pensel. Se till att du inte skadar gasventilen eller tändeledroden när du tar bort brännarna.

En öppning har avsiktligt placerats i brännarens första del för att säkerställa att tillräckligt med syre kan tillföras för att bilda en brandfarlig blandning. Det betyder att du kommer att se en liten öppning, precis där gasventilen ansluts till brännaren. Ingen gas kommer att läcka från detta.

5.10 Spindlar och insekter

Spindlar och insekter kan bygga bo i grillens brännare, vilket kan orsaka att gas flödar från brännarens framsida. Det här är en farlig situation som kan orsaka brand bakom operationspanelen. Detta kommer att skada grillen, vilken då inte längre är säker att använda. Därför rekommenderar vi att du kontrollerar grillen minst en gång per år för spindlar, insekter och bon (särskilt efter längre förvaringsperioder). Du kan göra det genom att demontera brännarens och blåsa genom dem eller borsta dem rena.

6. Miljöguide, Garantivillkor och Kontaktinformation



Om du, av någon anledning, vill göra dig av med din gasgrill, ta hänsyn till följande riktlinjer:

- * Leverera grillen till det lokala auktoriserade företag som samlar in överbliven hushållsutrustning. Kontakta din kommun för att ta reda på var dessa samlingspunkter finns.
- * Denna grill har en märkning som uppfyller de europeiska riktlinjerna 2002 / 96EG om bortskaffande av utrustning. Denna riktlinje bestämmer standarden för insamling och återvinning av bortskaffad utrustning som gäller hela EU: s territorium.

För grillaccessoarer, garanti, service och övriga frågor hänvisar vi dig till

www.boretti.com

Du kan även skicka frågor och förslag till

info@boretti.com

Boretti BV

Abberdaan 114

1046 AA Amsterdam

Appliance name: Gas grill

Model number: Maggiore

Category: I3+, I3B/P(30)

Q.: Total 121.6 kW (1572 g/h)

Injector size Main burners 11.1kW IR Back 3.7kW Side burner 3.6kW IR Bottom 3.2kW
Main burners 0.93 IR Back 0.93 Side burner 0.92 IR Bottom 0.85



Country	Category	Gas type	Pressure (mbar)	WARNING
BE	I3+	But	28-30	
	I3+	Propan	37	Il faudra utiliser un détendeur approprié.
BG	I3B/P(30)	бѳтан	29	
	I3B/P(30)	пропан	29	
CY	I3+	βουτάνιο	28-30	
	I3+	προπάνιο	37	Απαιτείται άλλος ρυθμιστής πίεσης αερίου.
	I3B/P(30)	βουτάνιο	29	
	I3B/P(30)	προπάνιο	29	
CZ	I3+	Butan	28-30	
	I3+	Propan	37	Vyžaduje se jiný regulátor tlaku plynu.
	I3B/P(30)	Butan	29	
DK	I3B/P(30)	Propan	29	
	I3B/P(30)	Propan	29	
EE	I3B/P(30)	Butaani	29	
	I3B/P(30)	Propani	29	
ES	I3+	Butano	28-30	
	I3+	Propano	37	Se necesita otro regulador de presión de gas.
FI	I3B/P(30)	Butaani	29	
	I3B/P(30)	Propani	29	
FR	I3+	Butane	28-30	
	I3+	Propane	37	Il faudra utiliser un détendeur approprié.
GB	I3+	Butane	28-30	
	I3+	Propane	37	Other gas pressure regulator required.
GR	I3+	βουτάνιο	28-30	
	I3+	προπάνιο	37	Απαιτείται άλλος ρυθμιστής πίεσης αερίου.
HR	I3B/P(30)	Butan	29	
	I3B/P(30)	Propan	29	
HU	I3B/P(30)	Butángáz	29	
	I3B/P(30)	Propán	29	
IE	I3+	Butane	28-30	
	I3+	Propane	37	Other gas pressure regulator required.
IS	I3B/P(30)	Butan	29	
	I3B/P(30)	Própan	29	
IT	I3+	Butano	28-30	
	I3+	Propano	37	È necessario un altro regolatore della pressione del gas.
	I3B/P(30)	Butano	29	
	I3B/P(30)	Propano	29	
LT	I3+	Butanas	28-30	
	I3+	Propano	37	Būtinās kitas duju slėgio regulatorius.
	I3B/P(30)	Butanas	29	
LV	I3B/P(30)	Propano	29	
	I3B/P(30)	Propāns	29	
MT	I3+	Butāns	28-30	
	I3+	Propāns	37	
NL	I3B/P(30)	Butan	29	
	I3B/P(30)	Propan	29	
NO	I3B/P(30)	Butan	29	
	I3B/P(30)	Propan	29	
PT	I3+	Butano	28-30	
	I3+	Propano	37	Outro regulador de pressão de gás necessário.
RO	I3B/P(30)	Butan	29	
	I3B/P(30)	Propan	29	
SE	I3B/P(30)	Butan	29	
	I3B/P(30)	Propan	29	
SI	I3+	Butan	28-30	
	I3+	Propan	37	Zahtevan je drug regulator za tlak plina.
	I3B/P(30)	Butan	29	
TR	I3B/P(30)	Propan	29	
	I3B/P(30)	Butan	29	

Boretti BV

Abberdaan 114 | 1046 AA Amsterdam | The Netherlands

www.boretti.com



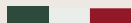
2531/22

PIN: 2531CU-0105

Made in PRC



Passione in Cucina



MAGGIORE AN

IT | MANUALE D'USO

www.boretti.com

Introduzione

Congratulazioni per l'acquisto del tuo nuovo barbecue. Siamo convinti che tu, con la tua passione per il barbecue e lo stile di vita all'aria aperta, trasformerai una normale serata estiva in una bellissima buona sera e il tuo giardino in un giardino.

Squadra Boretti

Leggere attentamente questo manuale e conservarlo al sicuro!

Questo manuale contiene istruzioni specifiche per la tua sicurezza, per il montaggio, il funzionamento e la manutenzione del tuo barbecue. Utilizzare il barbecue solo come indicato in questo manuale. Il buon senso e la cautela durante l'uso sono un must assoluto!

Indice

*1. Linee guida generali sulla sicurezza.....	4
*2. Lista componenti.....	7
*3. Disegni di montaggio.....	8
*4. Come usare il barbecue	12
*5. Manutenzione del vostro barbecue	14
*6. Guida ambientale, condizione di garanzia e contatti.....	15

Informazioni importanti sulla sicurezza

Utilizzare solo all'aperto!

Leggere le istruzioni prima di utilizzare l'apparecchio!

ATTENZIONE: le parti accessibili possono essere molto calde.

Tenere lontani i bambini piccoli! Non spostare l'apparecchio durante l'uso! Chiudere l'alimentazione del gas alla bombola del gas dopo l'uso!

1. Linee guida sulla sicurezza

- * Prima dell'uso, leggere attentamente tutte le informazioni contenute in questo manuale.
- * Non lasciare mai che bambini e animali domestici si avvicinino a questo barbecue.
- * Questo barbecue non può mai essere utilizzato da bambini, persone con disabilità mentali o persone che sono sotto l'influenza di sostanze che espandono la mente e / o farmaci.
- * Mantenere sempre la massima distanza possibile quando si accende e si utilizza questo barbecue.
- * Sostituire la bombola del gas lontano da qualsiasi fonte di accensione.
- * La bombola del gas può essere posizionata sotto il barbecue. Questo non è conforme a un barbecue da tavolo.
- * Fare attenzione che il gashose non si pieghi durante l'installazione del regolatore del gas.
- * Utilizzare il regolatore del gas fornito. Se viene installato un nuovo regolatore del gas, assicurarsi che sia conforme alla norma EN 16129. La pressione del gas deve essere la stessa indicata sull'etichetta del barbecue.
- * Assicurarsi che la valvola del gas sulla bombola del gas sia a portata di mano, in modo da poter interrompere l'alimentazione del gas al barbecue.
- * Spegnere tutte le fiamme e NON FUMARE mentre si apre la valvola del gas e si accende il barbecue.
- * Questo barbecue diventerà estremamente caldo, è necessaria estrema cura e attenzione durante il suo funzionamento.
- * In caso di odore di gas, controllare che tutti i collegamenti del carburante siano ben serrati prima dell'uso. Se l'odore di gas persiste, ruotare la valvola del gas e contattare direttamente il punto vendita.
- * Tenere sempre sostanze, gas, liquidi e materiali infiammabili lontano dal barbecue e non lasciarli mai entrare in contatto diretto con il barbecue.
- * Omettere e / o seguire in modo errato le istruzioni, precauzioni, linee guida di sicurezza, avvertenze e pericoli contenuti in questo manuale può causare incendi o esplosioni, danni materiali e può anche causare lesioni fisiche o morte.

- * Esclusivamente per uso domestico e destinato esclusivamente alla preparazione di cibi.
- * Il tuo barbecue può essere utilizzato con bombole di gas comprese tra 5 kg e 6 kg. La dimensione massima della bombola del gas dovrebbe essere: Dia. 300 mm, altezza: 470 mm. Seguire le informazioni tecniche come indicato nel manuale di istruzioni e verificare con il fornitore di gas locale di disporre di una bombola di gas adatta per il barbecue.
- * Evitare di torcere il tubo flessibile quando l'apparecchio è in uso. La lunghezza del tubo flessibile non deve superare 1,5 m. In Finlandia, la lunghezza non deve superare 1,2 m. Il tubo deve essere certificato secondo lo standard EN applicabile e rispettare il codice locale.

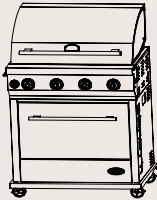
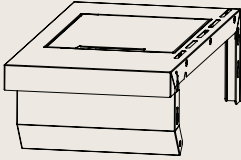
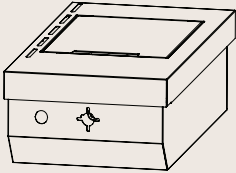
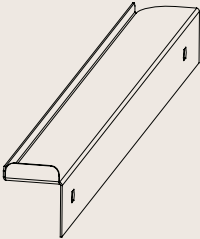
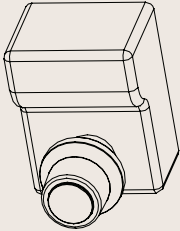

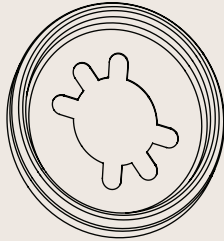
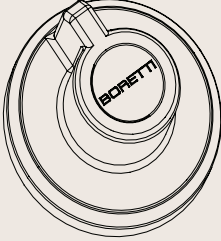

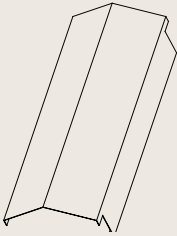
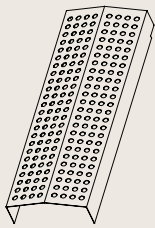

1.1 Assemblaggio

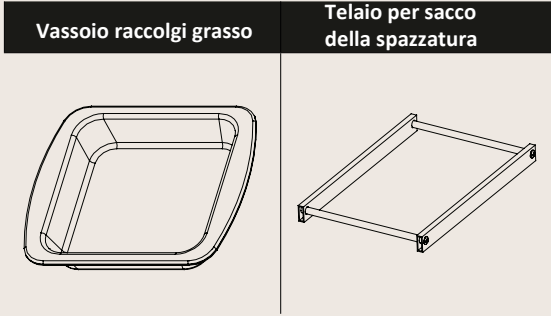
- * Montare il barbecue secondo il disegno di assemblaggio contenuto in questo manuale.
- * Un montaggio errato o il mancato rispetto del corretto ordine di assemblaggio, come mostrato nel disegno, possono portare a situazioni molto gravi.
- * Fare sempre attenzione e essere precisi durante il montaggio.
- * Tutte le parti devono essere assemblate come mostrato nel disegno di assemblaggio. Se una parte manca e / o dubiti della correttezza del montaggio, contatta immediatamente il tuo punto vendita.
- * Non riparare o sostituire mai da soli parti di questa apparecchiatura a meno che ciò non sia espressamente menzionato in questo manuale.
- * Non collegare mai un tubo del gas danneggiato all'apparecchiatura. Questo può provocare un incendio.
- * Nel caso in cui l'apparecchiatura sia dotata di una spina, questa sarà una spina principale con messa a terra per proteggerti da scosse elettriche. La spina deve essere collegata a una presa idonea con messa a terra. NON rimuovere MAI le piastre metalliche dalla spina.
- * NON modificare l'apparecchiatura.

1.2 Luogo d'utilizzo

- * Utilizzare il barbecue solo all'aperto (esterno) e in uno spazio ben ventilato. Non utilizzare mai il barbecue all'interno o in uno spazio (parzialmente) chiuso. Possono accumularsi fumi tossici che possono causare gravi lesioni fisiche o morte.
- * Non utilizzare mai il barbecue su una superficie infiammabile.
- * Utilizzare il barbecue solo su una superficie dura, diritta e stabile che possa sopportare il peso.
- * Mantenere una distanza di almeno 3 metri tra il barbecue e tutti i materiali infiammabili (legno, plastica, fogliame ecc.), quando il barbecue è in uso.
- * Tenere sempre il barbecue lontano da benzina e / o altri liquidi infiammabili, gas infiammabili, fumi infiammabili o aree in cui si sospetta che possano essere presenti.
- * Non utilizzare mai il barbecue in condizioni di vento forte.
- * Assicurarsi che il bruciatore principale e il bruciatore a infrarossi sul retro non siano MAI accesi contemporaneamente. Ciò può causare deformazioni o deformazioni del coperchio del barbecue.
- * Il barbecue diventa estremamente caldo, non spostarlo mai durante o subito dopo l'uso.
- * La maggior parte dei barbecue Boretti è dotata di ruote che ne facilitano lo spostamento. Fare attenzione quando si sposta il barbecue su un terreno irregolare; altrimenti le ruote potrebbero danneggiarsi.
- * Non utilizzare lo spiedo in caso di pioggia.
- * Le dimensioni delle pentole possono essere utilizzate nel nostro barbecue tra 130 mm e 220 mm.

2. Lista componenti

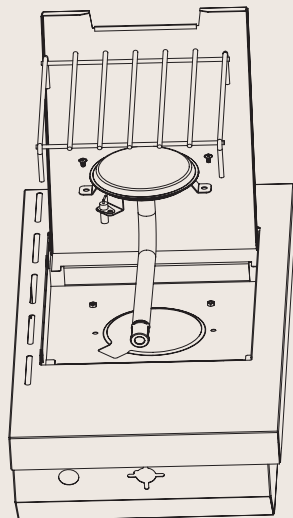
<p>Barbecue</p>	<p>Tavolo lato sx</p>	<p>Brucciato esterno dx</p>
		
<p>Guide per sacchi della spazzatura</p>	<p>Accenditore elettronico</p>	<p>Batteria</p>
		
<p>Controllo anello</p>	<p>Controllo pulsante</p>	<p>Domatore di fiamme I</p>
		
<p>Domatore di fiammell</p>	<p>Domatore di fiammelll</p>	<p>Ripiano riscaldante</p>
		



3. Disegno di montaggio

Passaggio 1

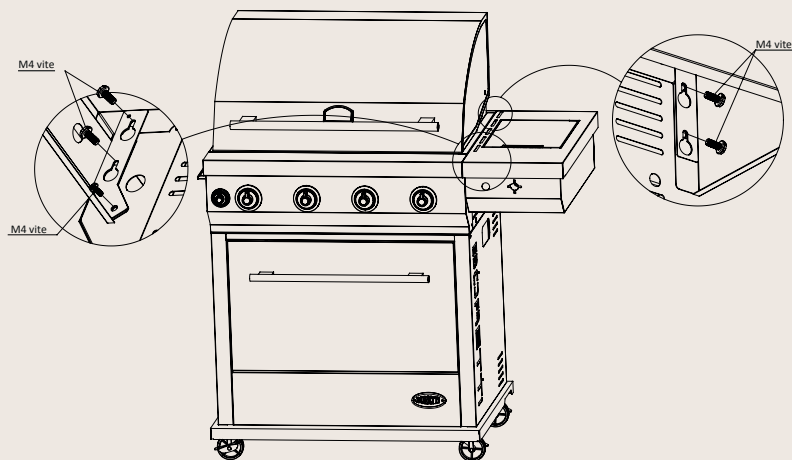
Rimuovere la griglia e allentare il dado M4 e la vite per sbloccare il fornello laterale.



Passaggio 2 - a) Allentare le 4x viti M6 e 1x M4 sul lato destro del barbecue di circa 6 mm.

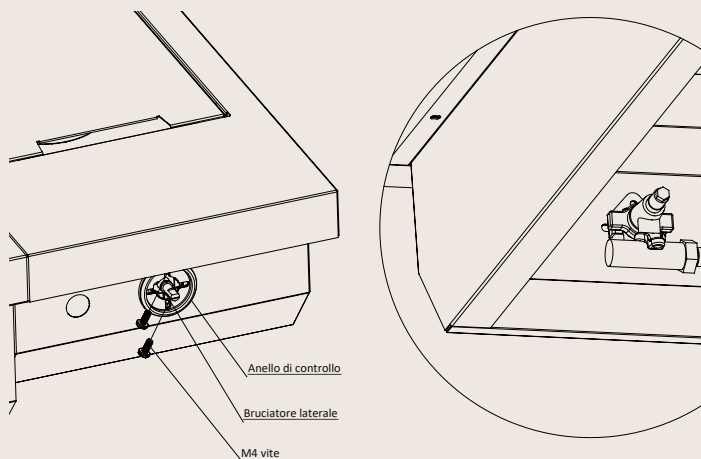
b) Far scorrere le aperture del fornello laterale sulle viti che avete allentato.

c) Riavvitare le viti per fissare il fornello laterale.



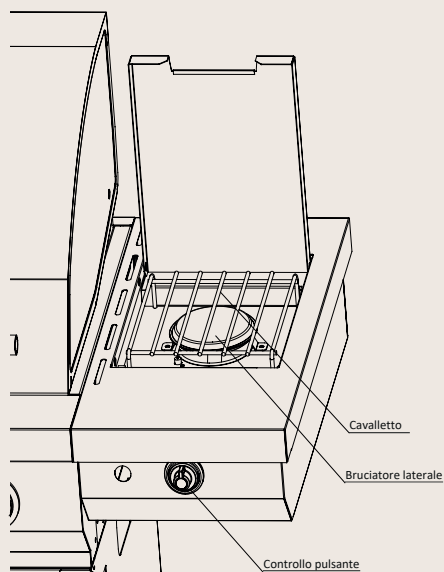
Passaggio 3 - a) Posizionare l'anello di controllo fornito sul fornello laterale e serrare con la vite M4 in dotazione.

b) Posizionare la seconda vite M4 e serrarla, assicurandosi che la "H" sia rivolta verso l'apertura di accensione (lato sinistro).

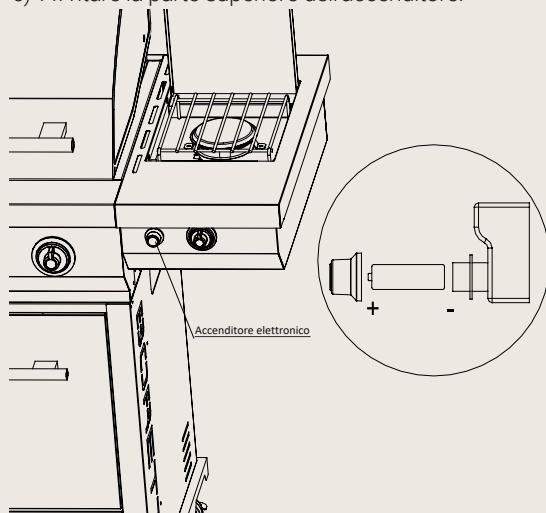


Passaggio 4 - a) Installare il fornello laterale con le 2x viti M4. Riporta la padella in posizione..

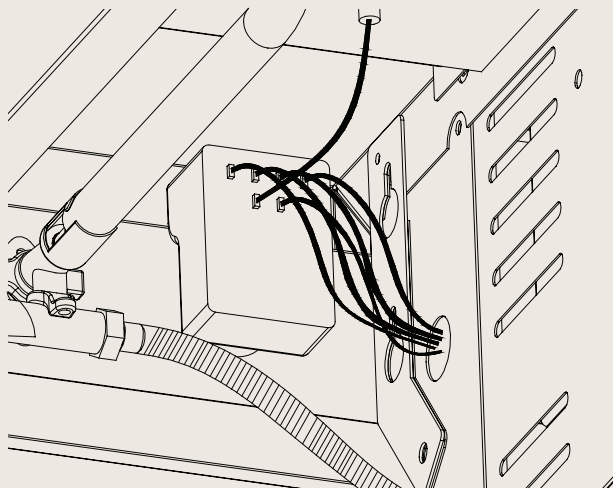
b) Installare il pulsante di controllo e assicurarsi che il lato piatto del pulsante corrisponda al lato piatto della valvola del gas.



- Passaggio 5** - a) Far scorrere la parte filettata della vite dell'accenditore attraverso l'apertura nella nello parte anteriore del fornello laterale e installare il dado di bloccaggio.
- b) Posizionare la batteria nel supporto con il lato + rivolto in avanti.
- c) Avvitare la parte superiore dell'accenditore.

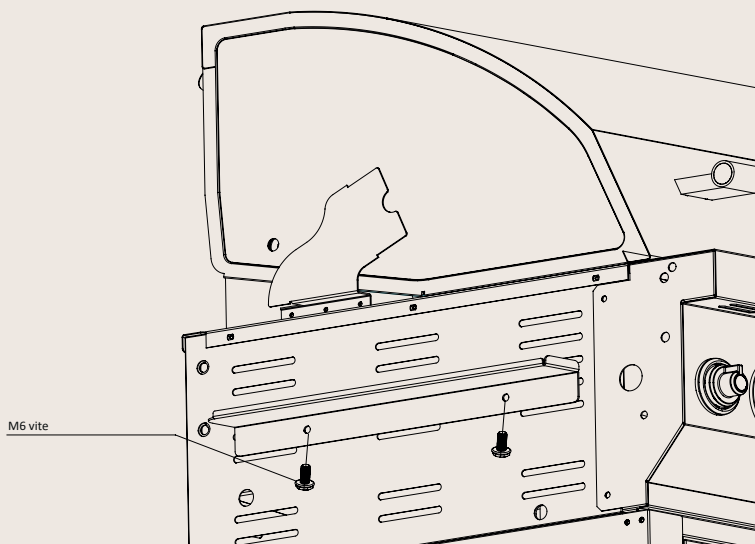


- Passaggio 6** - a) Collegare l'estremità del cavo di accensione del fornello laterale con l'accenditore elettronico.
- b) Collegare l'estremità del cavo di accensione del fornello laterale con l'accenditore elettronico accenditore elettronico.



Passaggio 7

Fissare la guida del sacco della spazzatura a sinistra del barbecue e fissarla con 2x viti M6x10.

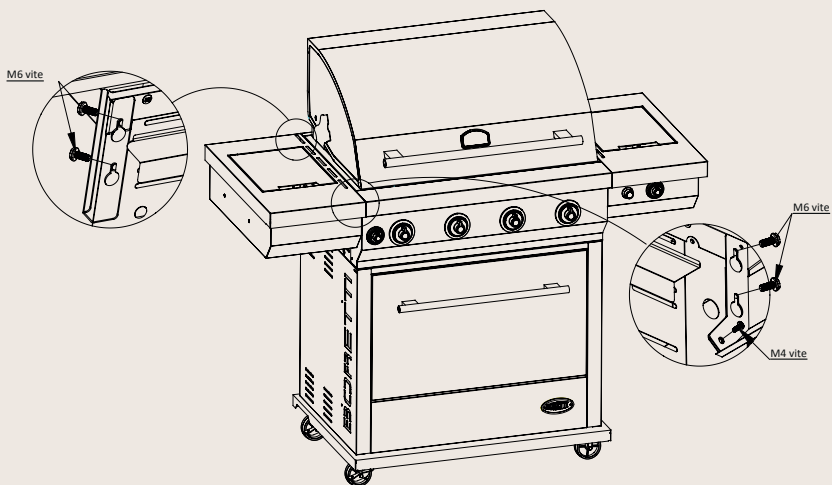


Passaggio 8 - a) Allentare le 4 viti M6 a sinistra del barbecue di circa 6 mm.

Allentare completamente la vite 1 x M4.

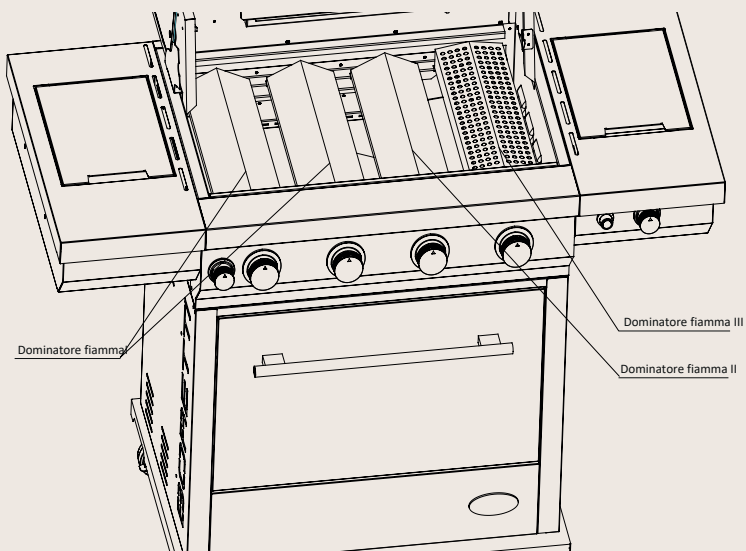
b) Far scorrere il tavolino sulle 4 viti M6 allentate.

c) Stringere nuovamente tutte e cinque le viti per fissare saldamente il tavolino.

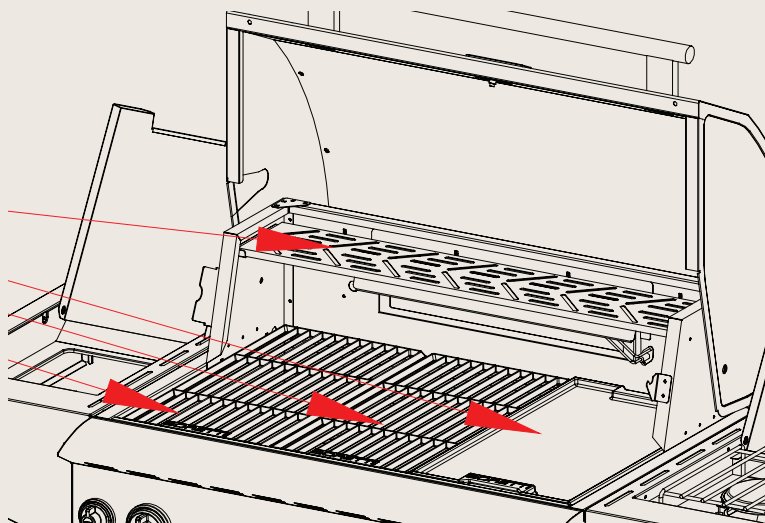


Passaggio 9

Posizionare i domatori di fiamma negli incavi con il lato triangolare rivolto verso l'alto. Accertarsi che il domatore di fiamma con il lato lungo sia posizionato accanto al bruciatore a infrarossi.

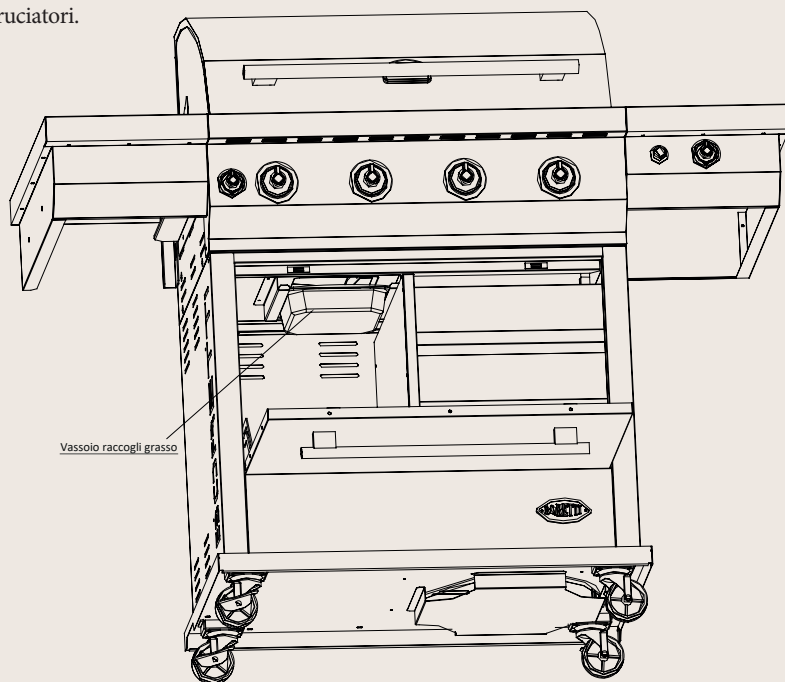


Passaggio 10 - a) Metti le griglie sulle sporgenze del barbecue.
b) Posizionare la griglia riscaldante.



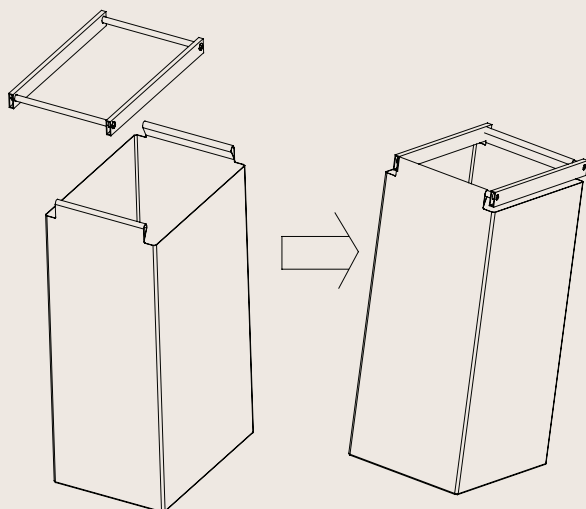
Passaggio 11

Far scorrere il vassoio raccogligrasso nelle guide sotto i bruciatori.



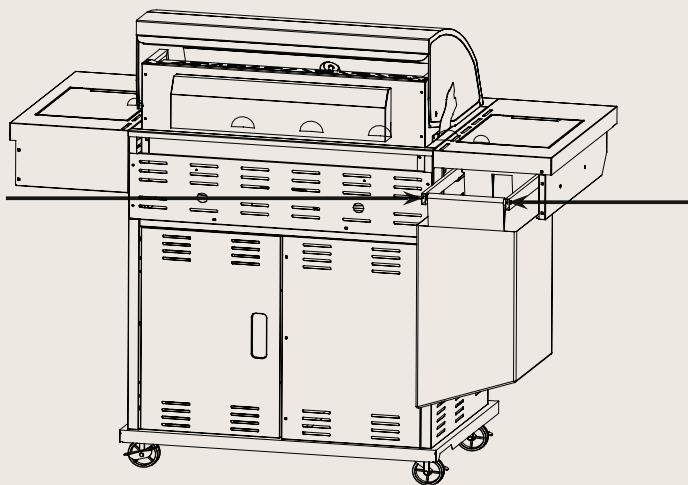
Passaggio 12

Appendi il sacchetto della spazzatura al telaio.



Passaggio 13

Far scorrere il telaio con il sacco dei rifiuti nelle guide.



4. Utilizzo del vostro barbecue

4.1 Informazioni generali

Anche se tutti i collegamenti del gas sul barbecue vengono testati per rilevare eventuali perdite prima del trasporto, è necessario eseguire un test completo sul luogo di montaggio. Durante il trasporto o il montaggio, alcune parti del barbecue potrebbero essere state spostate. È anche possibile che la pressione del gas sull'attrezzatura sia troppo alta. Ispezionare regolarmente l'intero sistema per rilevare eventuali perdite e controllare immediatamente il sistema in caso di odore di gas.



4.2 Prova tenuta del gas

Eseguire sempre una prova di tenuta del gas prima di utilizzare il barbecue e quando il barbecue non è stato utilizzato per un certo periodo di tempo.

- * Spegnerne eventuali fuochi liberi (NON FUMARE durante il test di perdite).
- * Non eseguire mai questo test di fuga di gas vicino a fiamme libere.
- * Prepara una soluzione saponosa composta da parti uguali di acqua e sapone liquido o detersivo delicato
- * Segui i passaggi seguenti:
 1. Ruotare le manopole di controllo dei bruciatori su OFF.
 2. Rimuovere la batteria dall'accensione elettronica.
 3. Aprire la bombola del gas.
 4. Applicare la soluzione saponosa a tutti i collegamenti dell'alimentazione del gas. Se non si formano bolle di sapone, non ci sono perdite di gas. Se su una connessione iniziano a formarsi bolle di sapone, ciò indica una perdita. Nel caso in cui si rilevi una perdita, chiudere immediatamente l'alimentazione del gas, serrare saldamente i collegamenti che perdono, aprire nuovamente la bombola del gas e ripetere i passaggi da 1 a 4.
 5. Chiudere l'alimentazione del gas.
 6. Ruotare le manopole di controllo dei bruciatori per 10 secondi per far uscire la pressione dal tubo, quindi ruotare nuovamente le manopole di controllo su OFF.
 7. Rimuovere la soluzione saponosa dai collegamenti dell'apparecchiatura con acqua fredda e asciugare con un panno. Controllare tutti i collegamenti di alimentazione del gas prima di ogni utilizzo e fare lo stesso quando la bombola del gas viene collegata al regolatore di pressione del gas.

Si consiglia di controllare ogni anno la tenuta del tubo del gas, anche se la bombola del gas non è mai stata scollegata dall'attrezzatura.

Nota:

Assicurarsi di testare tutti i collegamenti allentati (compreso il fornello laterale) e, se necessario, serrarli di nuovo quando si verifica la tenuta dell'apparecchiatura. Anche una piccola perdita nel sistema può provocare una situazione pericolosa.

Nota:

Oggi giorno, la maggior parte delle bombole di gas è dotata di un meccanismo che rileva le perdite all'interno del contenitore. Quando il gas viene rilasciato troppo rapidamente, questo meccanismo interrompe l'alimentazione del gas. Una perdita può limitare gravemente l'alimentazione del gas, rendendo difficile l'accensione del barbecue.

Nota:

Se non si è in grado di chiudere una perdita di gas, chiudere l'alimentazione del gas e contattare il proprio punto vendita. Anche una piccola perdita può provocare un incendio.

Nota:

Se, dopo diversi tentativi, non riesci ad accendere il barbecue, contatta il tuo punto vendita.

Nota:

Assicurarsi che le manopole di controllo siano in posizione "OFF" quando non si utilizza l'apparecchiatura.

4.3 Accensione del barbecue

- * Verificare le condizioni generali dei bruciatori (vedi 0). In caso di dubbi sulle condizioni dei bruciatori, contattare il proprio punto vendita.
- * Assicurarsi che il barbecue sia posizionato su una superficie piana.
- * Questo apparecchio deve essere tenuto lontano da materiali infiammabili durante l'uso. Mantenere la zona cottura pulita e priva di benzina e / o altre sostanze infiammabili, gas infiammabili o esalazioni infiammabili.
- * Assicurarsi che niente blocchi i bruciatori e la ventilazione.
- * Non utilizzare fogli di alluminio nella bacinella smaltata o intorno ai distributori di fiamma.
- * Assicurarsi che ci sia ventilazione sufficiente per la bombola del gas.

Attenzione:

- * Non accendere il barbecue se senti odore di gas!
- * Verificare che il tubo del gas non presenti crepe o segni di usura (vedi: PROVA PERDITE DI GAS).

4.4 Accensione dei bruciatori con accenditore elettronico

- * Assicurarsi che tutte le manopole siano in posizione "OFF".
- * Aprire sempre il coperchio prima di accendere il barbecue.
- * Aprire l'alimentazione del gas.

Nota:

Quando si apre la bombola del gas, ruotare la valvola LENTAMENTE di due (2) giri interi per ottenere la corretta alimentazione del gas.

- * Premere e ruotare una delle manopole di controllo sull'impostazione "HIGH". Sentirai un crepitio. Potrebbe essere necessario tenere premuto l'accenditore per circa 10 secondi.

Nota:

Se il bruciatore non si accende dopo 10 secondi, riportare la manopola in posizione "OFF" e attendere 1 minuto prima di riprovare.

- * Ripetere i passaggi precedenti anche per gli altri bruciatori.

Nota:

Su alcuni modelli, oltre alla manopola di controllo, è necessario premere anche una manopola di accensione separata.

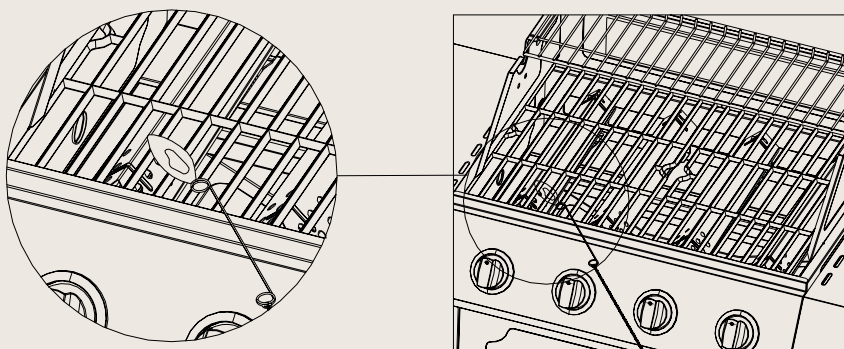
4.5 Accendere i bruciatori con un fiammifero (se previsto)

Se l'accenditore elettronico non riesce ad accendere i bruciatori, è possibile accendere i bruciatori anche con l'ausilio di un fiammifero.

- * Metti il fiammifero nella prolunga, se il barbecue è dotato di una prolunga per fiammiferi.
- * Tieni il viso il più lontano possibile dal barbecue e punta il fiammifero esteso attraverso le aperture della griglia verso il bruciatore.
- * Posizionare il fiammifero vicino alle aperture del bruciatore e ruotare la manopola di controllo in posizione "HIGH".

Nota:

Se, dopo diversi tentativi, non riesci ancora ad accendere il barbecue, contatta il tuo punto vendita.



4.6 Accensione del fornello laterale con l'accenditore elettronico

- * Premere e ruotare la manopola di controllo in posizione "HIGH". Sentirai un crepitio.
- * Potrebbe essere necessario tenere premuto l'accenditore per circa 10 secondi.
- * Se il bruciatore non si accende dopo 10 secondi, riportare il cono in posizione "OFF" e attendere 1 minuto prima di riprovare.

4.7 Accendere il fornello laterale con i fiammiferi

Se l'accenditore elettronico non riesce ad accendere il bruciatore, è possibile accendere il bruciatore anche con l'ausilio di un fiammifero.

- * Metti il fiammifero nella prolunga, se il barbecue è dotato di una prolunga per fiammiferi.
- * Tieni il viso il più lontano possibile dal barbecue e punta il fiammifero (esteso) alle aperture del bruciatore.
- * Premere e ruotare la manopola di controllo in posizione "HIGH".

Nota:

Se, dopo diversi tentativi, non riesci ancora ad accendere il barbecue, contatta il tuo punto vendita.

4.8 Deposito

- * Dopo aver utilizzato il barbecue, chiudere l'alimentazione del gas e lasciare raffreddare l'attrezzatura.
- * Rimuovere la bombola del gas.
- * Conservare il barbecue in uno spazio ben ventilato e tenere i bambini lontani dall'attrezzatura.
- * Non collocare materiali facilmente infiammabili sotto il barbecue.
- * Se si ripone il barbecue all'aperto, utilizzare una copertura per proteggere il barbecue dagli elementi. In caso di immagazzinamento all'aperto, rimuovere regolarmente il coperchio per evitare la formazione di condensa eccessiva (che può provocare ossidazione) sui componenti metallici.
- * Lasciar raffreddare il barbecue prima di posizionarci sopra il coperchio o provare a spostare l'attrezzatura.

4.9 Utilizzo

- * Il barbecue diventa estremamente caldo, utilizzare guanti resistenti al calore quando si utilizza il barbecue. Non toccare il barbecue senza la protezione adeguata.
- * Utilizzare utensili da barbecue adatti per preparare il cibo sul barbecue.

4. Manutenzione del tuo barbecue

Importante:

Non lasciare MAI il barbecue all'esterno senza coprirlo. L'acqua piovana potrebbe raccogliersi nel barbecue, nel telaio o nel recipiente del grasso. Se il contenitore del grasso non è stato pulito dopo l'uso e il barbecue è scoperto, il vassoio può riempirsi d'acqua, che farà riversare acqua e grasso nel telaio. Si consiglia di pulire il contenitore del grasso dopo ogni utilizzo.

Importante:

Le parti sigillate dal produttore o dal suo agente non devono essere manipolate dall'utente; Nessuna modifica deve essere apportata a nessuna parte di questo barbecue.

4.1 Pulizia

Non utilizzare agenti di pulizia abrasivi sul barbecue. Questi possono graffiare o danneggiare la superficie. Utilizzare acqua tiepida in combinazione con una spugna morbida o un panno per pulire le parti metalliche del corpo del barbecue.

- * Riscaldare il barbecue accendendo i bruciatori principali al massimo e chiudendo il coperchio. Non accendere i bruciatori a infrarossi!
- * Lascia che il barbecue si riscaldi per circa 10 minuti a 250 gradi (Celsius).
- * Spegnerli i bruciatori e lasciare raffreddare la macchina prima di iniziare la pulizia.
- * Pulire le griglie e le teglie con uno scovolino adatto (disponibile nel negozio web Boretti).
- * Rimuovere le griglie e la teglia.
- * La spazzola carbonizzata (cibo) rimane verso il contenitore del grasso.
- * Rimuovere il contenitore del grasso e pulirlo con acqua calda e detergente.
- * Utilizzare acqua calda e detergente per pulire l'esterno del barbecue.
- * Asciugare il barbecue con un panno morbido e pulito.

4.2 Contenitore del grasso

Il contenitore del grasso deve essere pulito regolarmente per evitare l'accumulo di sporco e residui.

Nota:

Assicurarsi che il contenitore del grasso si sia raffreddato prima di pulirlo.

4.3 Grigli

Le griglie possono essere pulite subito dopo la cottura, una volta spento il barbecue, con l'utilizzo di un'apposita spazzola per la pulizia. La pulizia delle griglie con acqua e uno sgrassatore aumenta la possibilità di ossidazione / ruggine. Puoi contrastare questo problema ricoprendo le griglie con dell'olio d'oliva dopo la pulizia.

4.4 Acciaio inossidabile

Dopo il primo utilizzo, parti del barbecue possono scolorirsi a causa del calore intenso che proviene dai fornelli. E' normale.

Acquista un prodotto per la pulizia dell'acciaio inossidabile e usalo per spazzolare il metallo. Potrebbe essere possibile che macchie di grasso cadano sulle parti in acciaio inossidabile e si brucino, il che potrebbe far sembrare usurate alcune parti. Utilizzare un prodotto per la pulizia che non sia abrasivo insieme a un prodotto per la pulizia dell'acciaio inossidabile, per rimuovere il grasso.

4.5 Sostituzione della batteria dell'accensione (se presente)

Allenta la manopola dell'accensione e rimuovi la batteria AA. Metti una nuova batteria AA in posizione.

4.6 Parti smaltate

Alcune parti del barbecue hanno un rivestimento smaltato. Lo smalto è un prodotto a base di vetro ed è molto durevole e resistente all'usura. Tuttavia, non è resistente a urti e colpi, che possono causare crepe sottili. Crepe sottili possono portare alla rottura di piccoli pezzi di smalto, che porta alla formazione di ruggine. Le prestazioni del barbecue non saranno influenzate da pezzi rotti o crepe sottili. Non si possono fare reclami per danni allo smalto nella zona di cottura dopo l'uso.

5.7 Ventilazione

I bruciatori possono funzionare correttamente solo se può fuoriuscire anche il calore che producono. Se ciò non è possibile, i bruciatori potrebbero non ricevere abbastanza ossigeno, il che potrebbe causare un ritorno di fiamma, soprattutto se i bruciatori sono impostati su "ALTO". Se ciò accade regolarmente, i bruciatori potrebbero sviluppare crepe. Per questo motivo sono presenti aperture di ventilazione attorno al barbecue. Consentono la fuoriuscita dell'aria calda. Assicurarsi sempre che ci sia spazio sufficiente intorno alla zona di cottura (le griglie lasceranno spazio sufficiente). Non coprire mai le aperture di ventilazione con fogli di alluminio o altri materiali che possono ostacolare il flusso d'aria. NON permettere MAI che la superficie di cottura sia completamente coperta, ad esempio da una padella grande o riempiendola completamente di teglie

5.8 Sostituzione del tubo del gas

Il tubo del gas deve essere sostituito ogni due anni. I tubi flessibili del gas in gomma possono seccarsi provocando perdite di gas.

5.9 Bruciatori

È normale che si formi ruggine (ossidazione) intorno ai bruciatori. I resti di cibo devono essere rimossi regolarmente. Questo può essere fatto per mezzo di una spazzola per la pulizia del barbecue. I bruciatori devono essere periodicamente rimossi per ispezione e pulizia, in particolare dopo un periodo di non utilizzo / immagazzinamento. I bruciatori devono essere controllati per il loro stato generale e per assicurarsi che le aperture non siano ostruite. I bruciatori possono essere puliti con l'uso di una spazzola. Durante la rimozione dei bruciatori assicurarsi di non danneggiare la valvola del gas e l'elettrodo di accensione.

Un'apertura è stata intenzionalmente posizionata nella prima parte del bruciatore per garantire che possa essere fornito abbastanza ossigeno per formare una miscela infiammabile. Ciò significa che vedrai una piccola apertura, proprio dove la valvola del gas si collega al bruciatore. Nessun gas fuoriuscirà da questo.

5.10 Ragni e insetti

Ragni e insetti possono fare il nido all'interno dei bruciatori del barbecue, provocando la fuoriuscita di gas dalla parte anteriore del bruciatore. Questa è una situazione pericolosa che può causare un incendio dietro il pannello operativo. Ciò danneggerà il barbecue, che non sarà più sicuro da usare. Pertanto, si consiglia di controllare il barbecue almeno una volta all'anno per ragni, insetti e nidi (in particolare dopo lunghi periodi di conservazione). Puoi farlo smontando i tubi del bruciatore e soffiandoli o pulendoli con una spazzola.

6. Guida ambientale, condizioni di garanzia e informazioni contatti



Se, per qualsiasi motivo, desideri smaltire il tuo barbecue a gas, ti preghiamo di prendere in considerazione le seguenti linee guida:

- * Consegnare il barbecue all'azienda locale autorizzata per la raccolta delle apparecchiature domestiche in eccesso. Contatta il tuo comune per scoprire dove si trovano questi punti di raccolta.
- * Questo barbecue presenta il marchio conforme alle linee guida europee 2002 / 96EG relative allo smaltimento delle apparecchiature. Questa linea guida definisce lo standard per la raccolta e il riciclaggio delle apparecchiature smaltite che si applica all'intero territorio dell'Unione Europea.

Per gli accessori del barbecue, la garanzia, le condizioni di servizio e altre domande a cui si fa riferimento

www.boretti.com

Puoi anche inviare domande e suggerimenti a

info@boretti.com

Boretti BV

Abberdaan 114

1046 AA Amsterdam

Appliance name: Gas grill

Model number: Maggiore

Category: I3+, I3B/P(30)

Q.: Total 121.6 kW (1572 g/h)

Injector size Main burners 11.1kW IR Back 3.7kW Side burner 3.6kW IR Bottom 3.2kW
Main burners 0.93 IR Back 0.93 Side burner 0.92 IR Bottom 0.85



Country	Category	Gas type	Pressure (mbar)	WARNING
BE	I3+	But	28-30	
	I3+	Propan	37	Il faudra utiliser un détendeur approprié.
BG	I3B/P(30)	бѳтан	29	
	I3B/P(30)	пропан	29	
CY	I3+	βουτάνιο	28-30	
	I3+	προπάνιο	37	Απαιτείται άλλος ρυθμιστής πίεσης αερίου.
	I3B/P(30)	βουτάνιο	29	
	I3B/P(30)	προπάνιο	29	
CZ	I3+	Butan	28-30	
	I3+	Propan	37	Vyžaduje se jiný regulátor tlaku plynu.
	I3B/P(30)	Butan	29	
DK	I3B/P(30)	Propan	29	
	I3B/P(30)	Propan	29	
	I3B/P(30)	Propan	29	
EE	I3B/P(30)	Butaani	29	
	I3B/P(30)	Propani	29	
ES	I3+	Butano	28-30	
	I3+	Propano	37	Se necesita otro regulador de presión de gas.
FI	I3B/P(30)	Butaani	29	
	I3B/P(30)	Propani	29	
FR	I3+	Butane	28-30	
	I3+	Propane	37	Il faudra utiliser un détendeur approprié.
GB	I3+	Butane	28-30	
	I3+	Propane	37	Other gas pressure regulator required.
GR	I3+	βουτάνιο	28-30	
	I3+	προπάνιο	37	Απαιτείται άλλος ρυθμιστής πίεσης αερίου.
HR	I3B/P(30)	Butan	29	
	I3B/P(30)	Propan	29	
	I3B/P(30)	Butángáz	29	
HU	I3B/P(30)	Propán	29	
	I3+	Butane	28-30	
IE	I3+	Propane	37	Other gas pressure regulator required.
	I3B/P(30)	Bután	29	
IS	I3B/P(30)	Própan	29	
	I3+	Butano	28-30	
IT	I3+	Propano	37	È necessario un altro regolatore della pressione del gas.
	I3B/P(30)	Butano	29	
	I3B/P(30)	Propano	29	
LT	I3+	Butanas	28-30	
	I3+	Propano	37	Būtinias kitas duju slėgio regulatorius.
	I3B/P(30)	Butanas	29	
LV	I3B/P(30)	Propano	29	
	I3+	Butāns	28-30	
	I3+	Propāns	37	
MT	I3B/P(30)	Butāns	29	
	I3B/P(30)	Propāns	29	
	I3B/P(30)	Butaan	29	
NL	I3B/P(30)	Propan	29	
	I3B/P(30)	Butan	29	
NO	I3B/P(30)	Propan	29	
	I3+	Butano	28-30	
PT	I3+	Propano	37	Outro regulador de pressão de gás necessário.
	I3B/P(30)	Butan	29	
RO	I3B/P(30)	Propan	29	
	I3B/P(30)	Propan	29	
	I3B/P(30)	Butan	29	
SE	I3B/P(30)	Propan	29	
	I3B/P(30)	Propan	29	
SI	I3+	Butan	28-30	
	I3+	Propan	37	Zahtevan je drug regulator za tlak plina.
	I3B/P(30)	Butan	29	
TR	I3B/P(30)	Propan	29	
	I3B/P(30)	Butan	29	
	I3B/P(30)	Propan	29	

Boretti BV

Abberdaan 114 | 1046 AA Amsterdam | The Netherlands

www.boretti.com

CE 2531/22

PIN: 2531CU-0105

Made in PRC



Passione in Cucina

