

# DIVINA



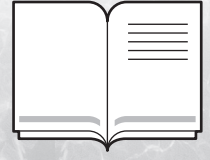
NOVELLINI

## XL-XXL





## READ THE INSTRUCTIONS CAREFULLY



**For a correct use of the SPA, please follow the warnings and indications reported in this manual.**



The SPA can only be used for the use for which it was designed. Novellini S.p.a. is not responsible for any damage resulting from improper use. In the event of a breakdown or malfunction of the SPA, contact only the dealer and authorized technical personnel for the maintenance of Novellini products. Novellini S.p.a. reserves the right to make any changes deemed appropriate to this manual without notice or replacement.

Pregnant women and children must not use the pool without having consulted a doctor; anyhow the water must not exceed a temperature of 38 °C.

**Check the water temperature before entering the SPA.**

### DANGER WARNINGS:



• **ATTENTION:** The appliance is not intended to be used by persons whose physical, sensory or mental abilities are reduced, or with lack of experience or knowledge, unless that they have been able to benefit from, through the intermediation of a person responsible for their safety, surveillance or instructions regarding the use of the appliance. To reduce the risk of accidents, children, even if older than 8 years, must be supervised and must use the SPA only in the presence of adults.

There is a possible DANGER OF DROWNING! Children should not be allowed to climb or enter the SPA without careful adult supervision. For this purpose, it is recommended to secure access to the SPA using a device suitable to prevent its unattended use. For example, fences, barriers, nets, etc.

- The minipool must not be cleaned and maintained by minors without supervision.
- **ATTENTION:** To avoid accidents, the suction grid must never be removed or tampered with. The SPA can never be used in case the suction grid is faulty or missing; in this case please contact immediately a NOVELLINI dealer or an authorized service center.
- **ATTENTION:** it is forbidden to DIVE into the SPA. This can lead to serious injury or death.
- **ATTENTION:** do not insert your fingers into the massage jets.
- **ATTENTION:** Do not use electrical equipment (radio, hairdryer ...) near or inside the minipool. Electrical equipment must be installed at a safety distance in any case greater than 1.5m.

- **ATTENTION:** Disconnect the power supply before carrying out any maintenance.

**Do not use the swimming pool with water temperature higher than 40 ° C, as it could cause significant damage to the product and to the users.**

Lower water temperatures are recommended for children and when the use of the SPA exceeds 10 min. Exposure to longer periods at temperatures above 37 ° can cause hyperthermia. In any case, it is recommended to consult a doctor before use.

Temperatures between 38 ° C and 40 ° C are normally tolerated by adults. The ideal temperature is 35 ° C and 36 ° C. Tolerability to hot water varies from person to person.

Pregnant women and minors must not use the minipool without consulting a doctor; in any case, the water must not exceed a temperature of 38 ° C.

Check always the water temperature with a precision thermometer before entering the SPA. The use of alcohol, drugs or medicines before or during the use of the SPA can lead to unconsciousness, with the possibility of drowning. People with any unfavorable medical condition (respiratory failure, heart problems, etc.) should consult a doctor before using the minipool.

People who use drugs should consult a doctor before using a SPA since some drugs can induce sleepiness, while other medications may affect the frequency heart, pressure and blood circulation.

**WARNING:** prolonged immersion in a hot tub can have harmful consequences for health.

Avoid ingesting the SPA water.

Be very careful when entering and exiting the minipool, the water makes



## READ THE INSTRUCTIONS CAREFULLY



all surfaces slippery. Enter and exit the minipool slowly taking into account that the wet surfaces are slippery.

Do not use the SPA when the weather conditions are prohibitive (thunderstorms, rain ...).

During the use of the SPA do not use fragile objects which might be broken.

While using the SPA keep hair or loose objects not in close to the suction vents. Long hair goes collected and properly stopped.

Prevention of unauthorized access must also be obtained with the installation of a safety protection device on the SPA.

Keep the SPA water always clean and adequately treated with the appropriate and recommended chemicals. The chemical levels of the water must be kept within the ideal values in order to prevent annoying

irritations to the skin and eyes of the users.

**For the use of the SPA as part of a real estate deed, refer to the information "APPENDIX C" of the EN standard 17125. In any case, follow the instructions contained in this manual.**

### PRECAUTIONS FOR USE:

**To avoid accidental falls or unauthorized entry into the SPA, it is recommended to install the key locking system included in the NOVELLINI thermal cover.**

**ATTENTION, the cover is not meant to support weights, and they don't have to be subjected to sudden stresses.**

Keep the cover on the SPA to minimize heat loss during the heating of the SPA between one use and another (but not during use). Make sure that the cover is firmly fixed according to the instructions to maximize insulation. When the cover is not in use, it must be kept away from the ground to preserve its cleanliness (in particular the surface near the water surface of the SPA). Coverage should be kept in an appropriate place where cannot be damaged or cause damage.

Check the setting of the water temperature and consider to lower it for periods when the SPA is not in use, depending on the external conditions. Turn off the heater completely if you are not using the SPA for a long period of time.

In case of long periods of inactivity it is advisable to proceed with complete emptying of the SPA, paying particular attention to correct drainage of the entire hydraulic system.

Keep filters clean to maintain proper working conditions for the pump and avoid unnecessary water replacements and heating.

### HEAT EXCHANGER:

The heat exchanger consists of two water circuits, a primary and secondary one.

The secondary circuit is already connected to the outdoor spa, the primary

circuit must be connected to a hot water source. The performance of the heat exchanger depends on the temperature and flow rate of the hot water; see the characteristics provided in the table.



**The heat source and its connecting circuit to the heat exchanger must include an effective earth connection and be connected upstream to an all-pole residual current circuit breaker with a minimum contact opening of 3mm at 10mA.**

**In accordance with the EN 60335-1 and EN 60335-2-60 product standards for spas, no voltages of any type are permitted in the liquid.**

**The heat source connected to the heat exchanger must comply with product regulations and be properly connected to the electrical system.**



## READ THE INSTRUCTIONS CAREFULLY



For a correct installation of the SPA, follow the instructions given in this manual carefully. For a correct use of the SPA, follow the warnings and indications reported in the "Use and maintenance" manual.

**CAUTION:** Installation and maintenance must be carried out by qualified technicians.

**An incorrect installation can cause damage to people, things or animals. Novellini S.p.a. is not liable for any damage caused by incorrect installation.**

### INSTALLATION:

#### WARNINGS:



The installation must be performed by qualified personnel. The installer must ensure compliance with current national provisions.

The installation must be carried out by a technician with electrical qualification and by a technician with hydraulic qualification.



The installer is responsible for the choice of the materials, the correct execution of the works, the verification and the suitability of the plant to which the SPA is connected.



The connections to the water network for water loading must be carried out in compliance with the EN1717 standard and comply with the regulations in force in the country installation. Particular attention must be used for the protection of the water network with anti-pollution devices.



When preparing the SPA drain, consult local authorities to check the rules for the disposal of chemically treated water.



#### AUTOMATIC FILLING:

Check that the water pressure is between 0.5-5 bar.

Use mains water. If mains water is used from other sources, insert a filter upstream of the product.

When the product is emptied, disconnect the supply and close the water supply valve upstream of the system.

Automatic filling ensures the correct water level is constantly maintained in the tub. The first time the tub is filled, it will need to be done manually.



#### HEAT EXCHANGER:

The performance of the heat exchanger depends on the temperature of the water in the primary circuit. The temperature must be between 50-90°C. The pressure must be between

2-6 bar. The current flowing through the dry contact must be less than 230V and 10A. The electrical cables must be suited to the nominal input power and must guarantee an IP55 water ingress protection rating, and must be suitable for outdoor use.

Provide sufficient space around the minipool to ensure correct accessibility in case of intervention or maintenance. Consider the position of the SPA also to minimize the possible acoustic inconveniences.

Consider that for handling, installation and removal the SPA may require the use of lifting equipment specialized (for example a crane).

The support area of the minipool must be sufficiently resistant to withstand the maximum load of the SPA, the water of the SPA and the bathers. It is recommended to ask a qualified manufacturer or a structural engineer to check these static requirements. Regardless of the installation position of the SPA, the foundation must be stable and resistant to loads with particular attention when installing on a floor suspended (for example a balcony, a platform, a terrace ...). The installation surface must be properly structured to guarantee perfect flatness, rigidity and impermeability.

The surrounding flooring must be suitable to guarantee excellent results non-slip properties even with the presence of water, also considering a suitable drainage system that avoids the risk of contamination of the aquifers.

Do not install the SPA on carpet or other floor materials (for instance wood or other porous materials) that promote or host moisture and bacteria, or that could be affected by the substances chemicals for water treatment used in the SPA.

Provide for a correct treatment of the air (ventilation and dehumidification) where the SPA is located in order to preserve the materials and the decorations, as well the safety and comfort of the minipool users.

In case of outdoor installation, it is necessary to take into consideration



## READ THE INSTRUCTIONS CAREFULLY



local environmental conditions.

In presence of low temperatures, it is necessary to leave the SPA on to prevent freezing of the water in the pipes and in the circulation.


Prolonged exposure to the sun could damage the material of the shell of the SPA. When the SPA is not in use and during the hottest hours it is important to provide shading devices (thermal cover, gazebo, ...) which can reduce the effect of a possible overheating caused from direct rays.

Any damage resulting from failure to observe the warnings are not covered by warranty.


### ELECTRIC CONNECTIONS:


 The electrical installation must be carried out by an electrical technician.


 The electrical installation must be made according to the legal compliance with the safety standards in force in the country of installation.

 The installation of electrical devices and appliances (sockets, switches, ...) near the SPA must comply with the provisions of the law and regulations of the country where the SPA is installed.


 The ground cable must be connected fix and permanent.

 The equipment must be connected to the equipotential system of the room and duly fixed to the appropriate terminal on the frame of the SPA.


 The conductor cross-sections must be dimensioned taking into account the absorption of the device but also the distances and routing of the cables, the systems and of the specific regulations in force in the country of installation of the SPA.


 The connection to the power grid includes the installation of a switch differential by 30mA with thermomagnetic circuit breaker with class overvoltage III, with opening of the contacts of at least 3 mm with adequate voltage and current dimensioned. The switch must be placed in an area that complies with safety


requirements and however not reachable by users during the use of the SPA.

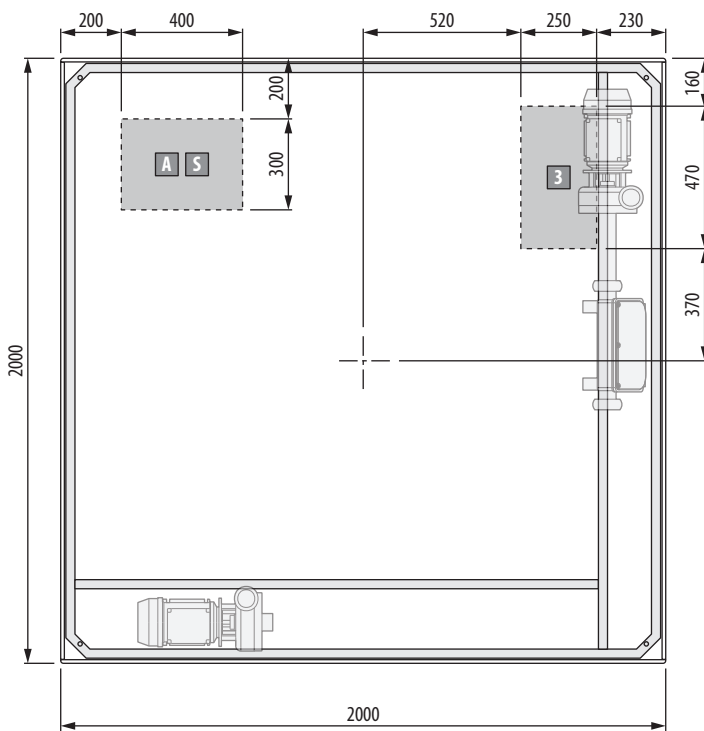
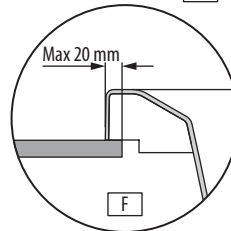
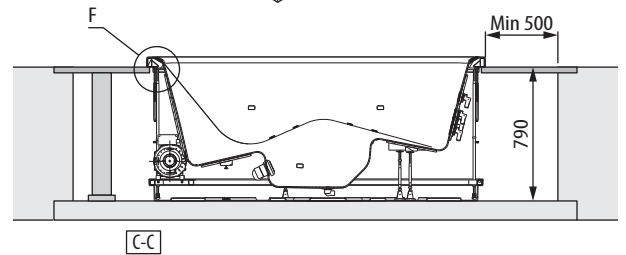
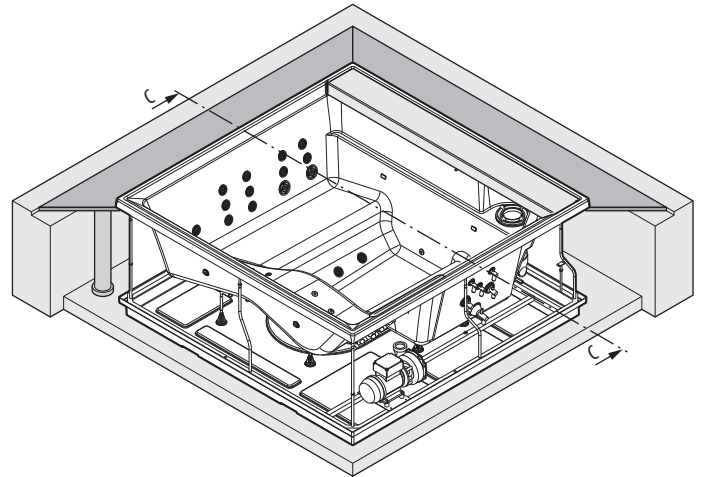
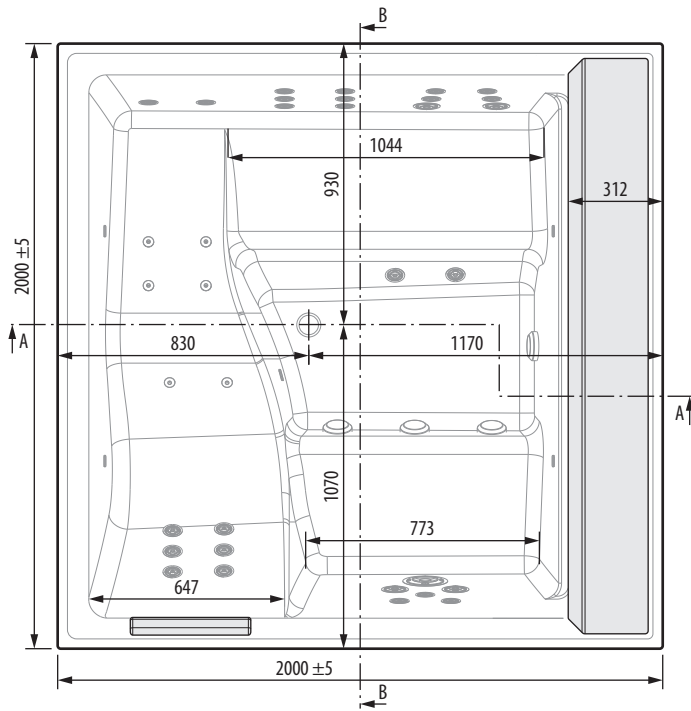
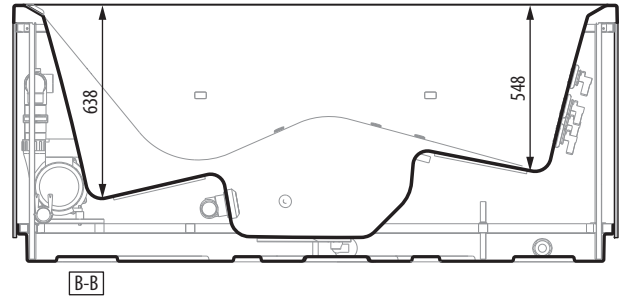
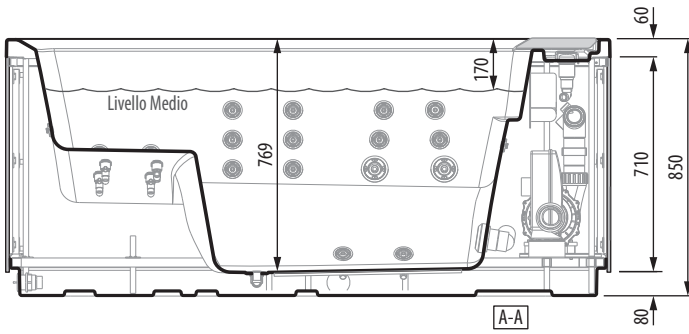
 The SPA is a class 1 device, the product must be connected with permanent installation **WITHOUT INTERMEDIATE JUNCTIONS**, to the electricity grid and to the ground system.

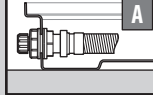
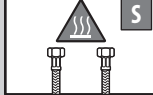
 It is mandatory to comply with the above prescriptions , any other procedure is prohibited.


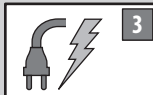
 The electrical system of the building must be equipped with a switch differential 30 mA with an efficient ground circuit.

 It is obligatory to make sure that the electric differential is performed every month by pressing the (TEST) button.

 In the presence of the heat exchanger, the electronics are equipped with a normally open dry contact. The contact closes when the tub water temperature needs to be increased. The installer must use the contact to feed water to the primary circuit, for example, controlling a solenoid valve starting a pump or drawing water from a heat pump.



 <ul style="list-style-type: none"> <li>• Area connessioni IDRAULICHE</li> <li>• Zone de branchements HYDRAULIQUES</li> <li>• Zone de branchements HYDRAULIQUES</li> </ul>	 <ul style="list-style-type: none"> <li>• Area connessioni SCAMBIATORE</li> <li>• Zone de connexion ÉCHANGEUR</li> <li>• EXCHANGER connections area</li> </ul>
---	---

 <ul style="list-style-type: none"> <li>• Area connessioni CARICAMENTO AUT.</li> <li>• Zone de connexion REMPLISSAGE AUTO</li> <li>• AUT. FILLING connections area</li> </ul>	 <ul style="list-style-type: none"> <li>• Area connessioni ELETTRICHE</li> <li>• Zone de branchements ÉLECTRIQUES</li> <li>• Zone de branchements ÉLECTRIQUES</li> </ul>
--	---



XL	Tension	Frequency	TUV Model	Power consumption (Watt)			
VERSION	V(V)	F(Hz)	CODE	HEATER	WHIRPOOL PUMP 1	WHIRPOOL PUMP 2	P. MAX
STANDARD	230 V	50 Hz	900/30	3000 W	Speed 1 - 420 W	/	3450 W
					Speed 2 - 1500 W		
PLUS	230 V	50 Hz	900/30	3000 W	Speed 1 - 420 W	1500 W	3450 W
					Speed 2 - 1500 W		

### MECHANICAL CHARACTERISTICS XL

Total area 4 m<sup>2</sup>

Total weight: 1610 kg

Hot tub weight + components 360 kg

User weight (4 people) 80x4 = 320 kg

Specific load on support base 4030 N/m<sup>2</sup>

XXL	Tension	Frequency	TUV Model	Power consumption (Watt)			
VERSION	V(V)	F(Hz)	CODE	HEATER	WHIRPOOL PUMP 1	WHIRPOOL PUMP 2	P. MAX
STANDARD	230 V	50 Hz	900/30	3000 W	Speed 1 - 420 W	1500 W	3450 W
					Speed 2 - 1500 W		
PLUS	230 V	50 Hz	900/30	3000 W	Speed 1 - 420 W	1500 W	3450 W
					Speed 2 - 1500 W		

### MECHANICAL CHARACTERISTICS XXL

Total area 4.9 m<sup>2</sup>

Total weight: 2080 kg

Hot tub weight + components 440 kg

User weight (6 people) 80x6 = 480 kg

Specific load on support base 4210 N/m<sup>2</sup>



Note: the electrical box is supplied with cable gland type PG21



#### WARNINGS

- dimensions are expressed in mm
- all dimensions indicated can have tolerances of  $\pm 15$ mm
- all drawings shown are not to scale
- size, functional and technical changes are possible at any time without prior notice.

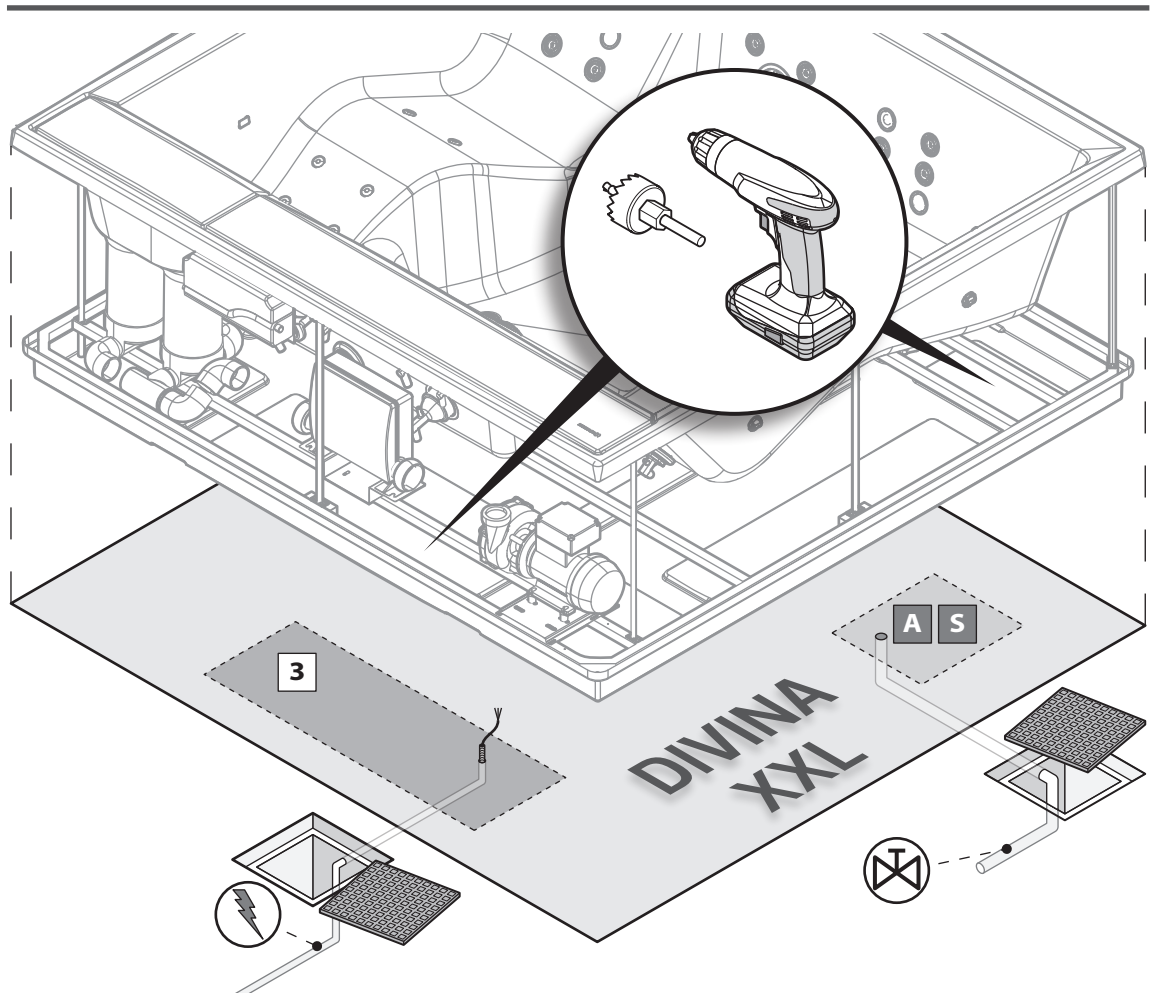
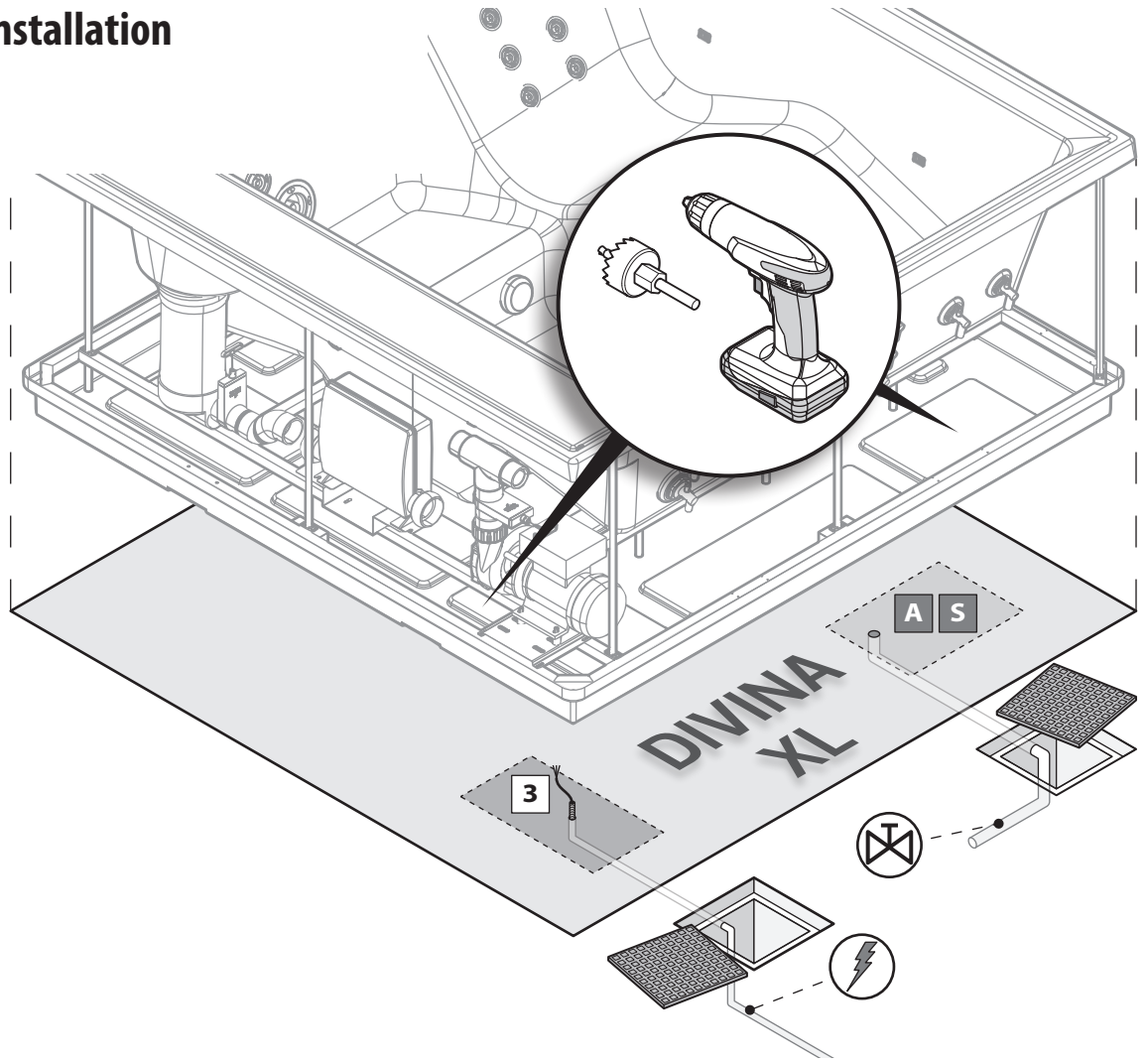
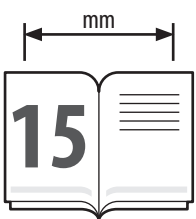
# Arrangement for installation



- Area connessioni SCAMBIATORE
- Zone de connexion ÉCHANGEUR
- EXCHANGER connections area

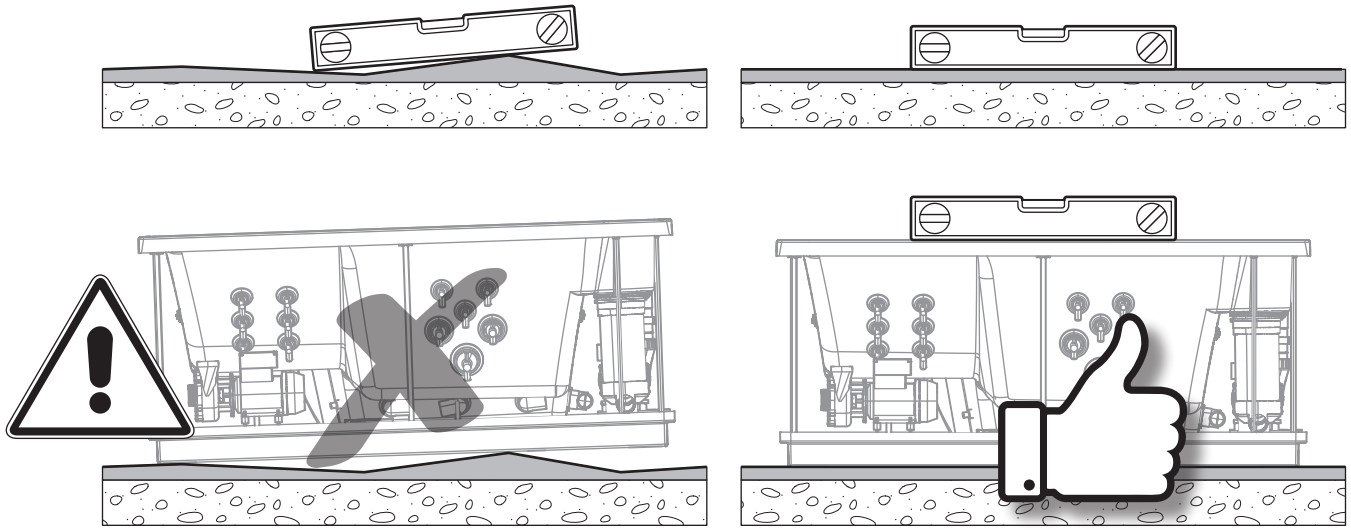
- Area connessioni CARICAMENTO AUT.
- Zone de connexion REMPLISSAGE AUTO
- AUT. FILLING connections area

- Area connessioni ELETTRICHE
- Zone de branchements ÉLECTRIQUES
- Zone de branchements ÉLECTRIQUES

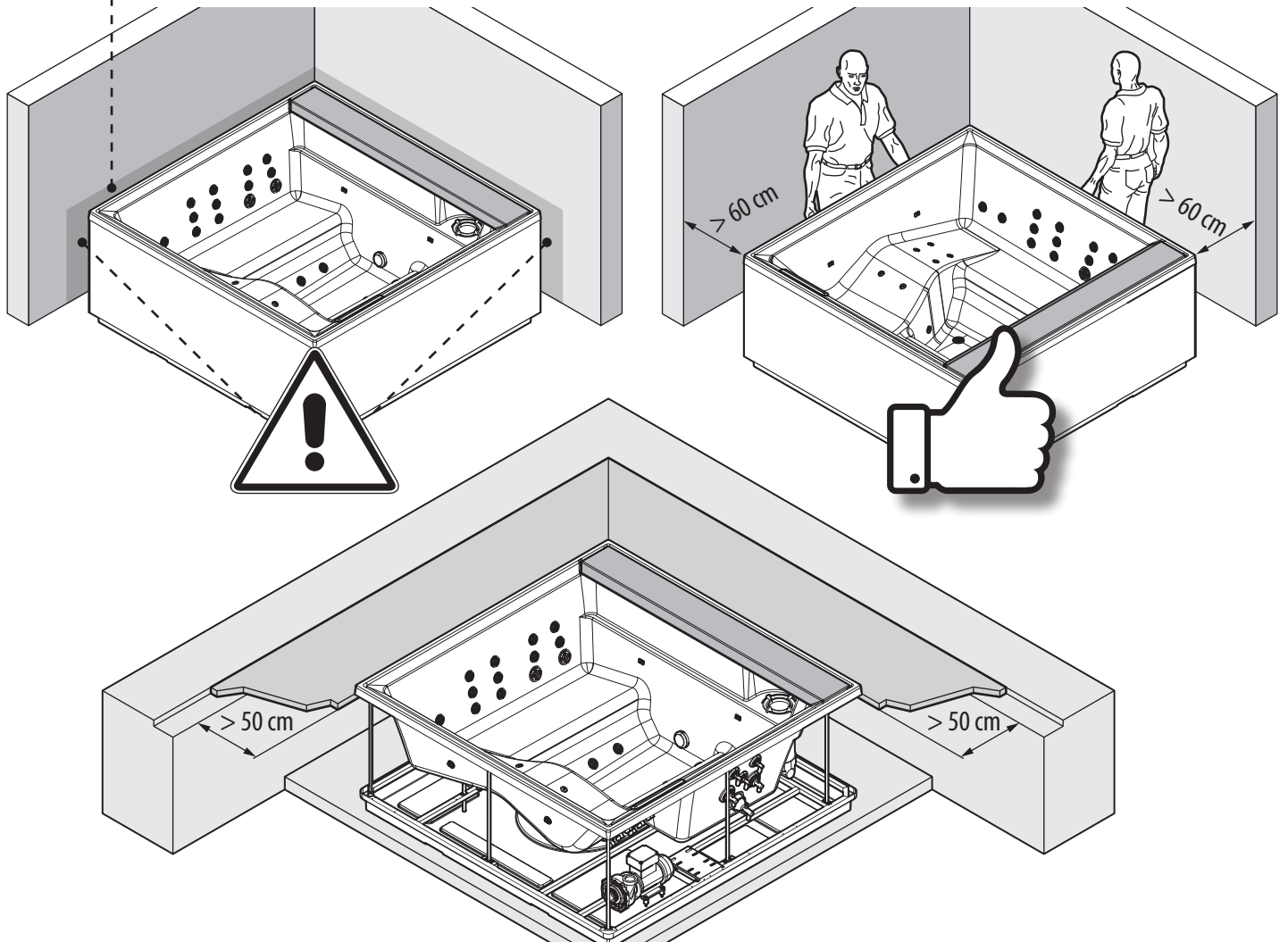


## Arrangement for installation

- The installation surface must be suitably structured to ensure perfect flatness, rigidity and impermeability.

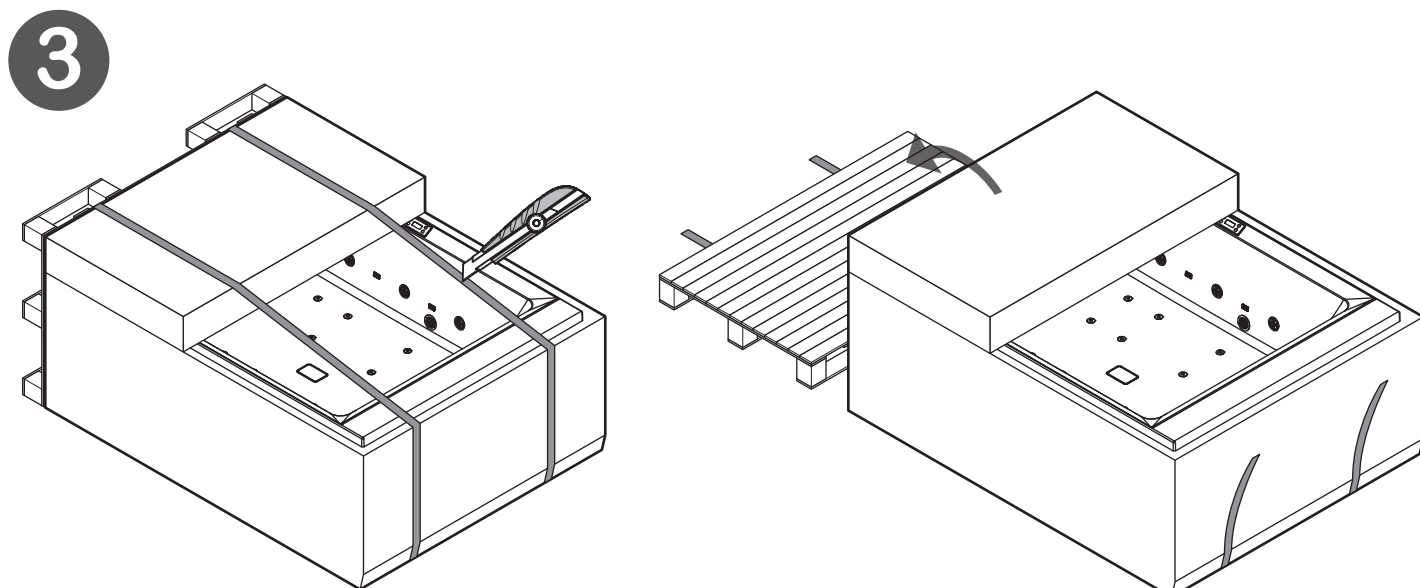
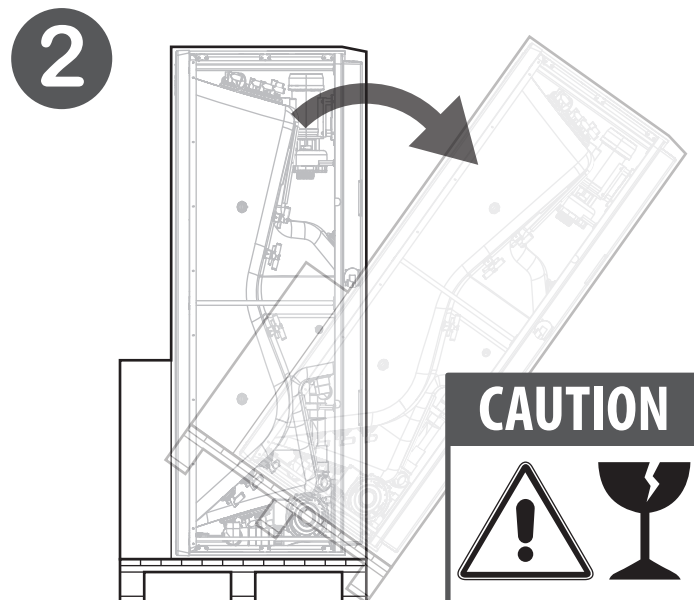
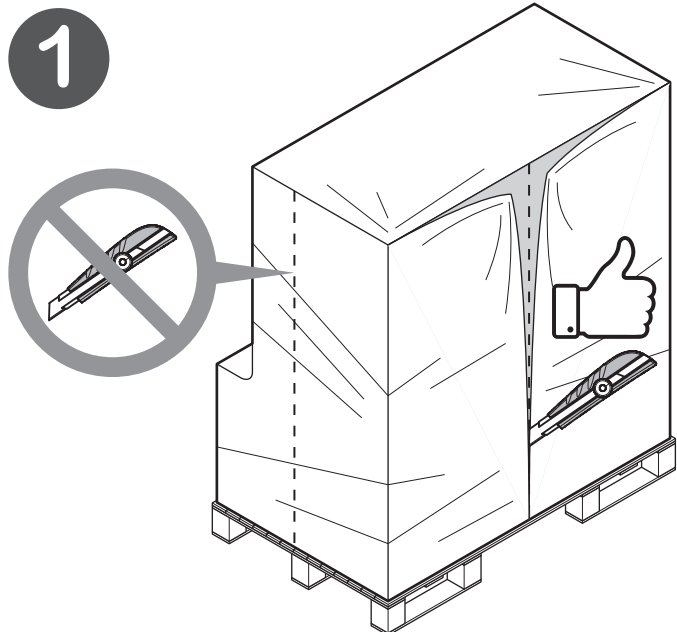
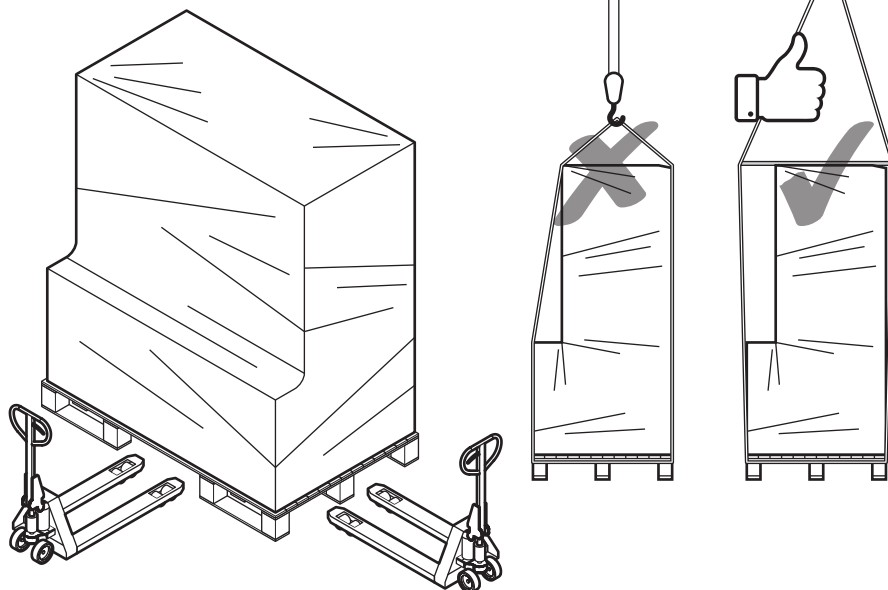


 *pay attention to the accessibility of the control panel.*



# INSTALLATION INSTRUCTIONS

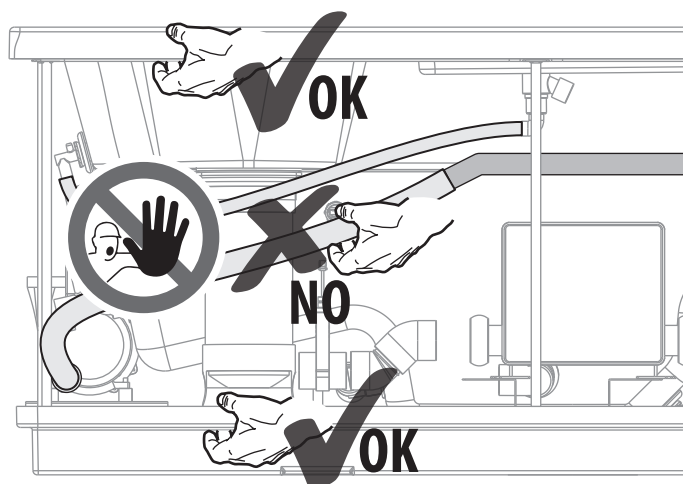
## 1 - UNPACKING THE PRODUCT:



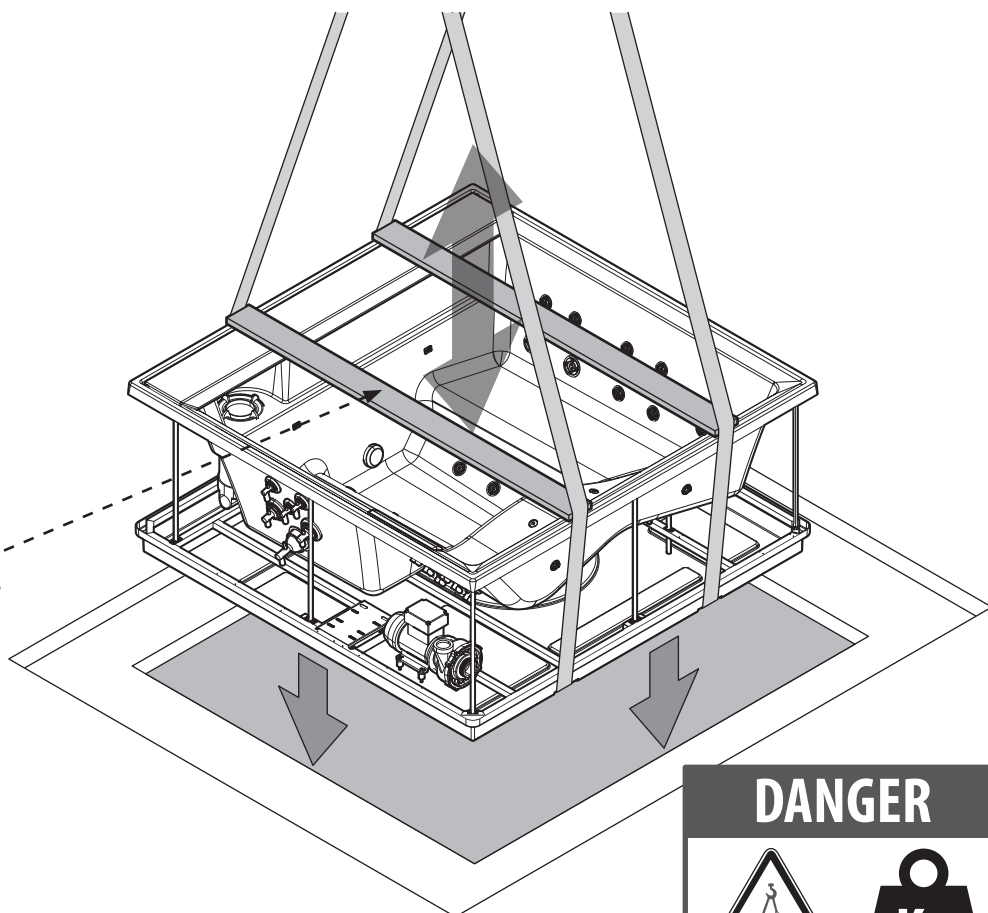
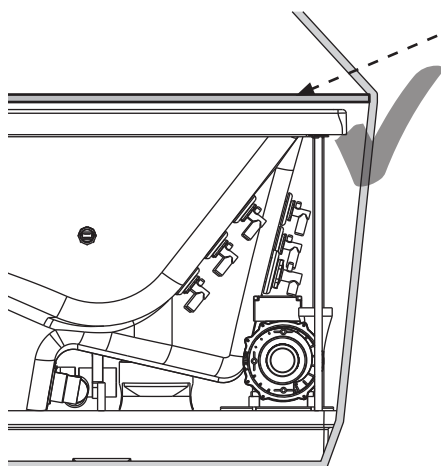
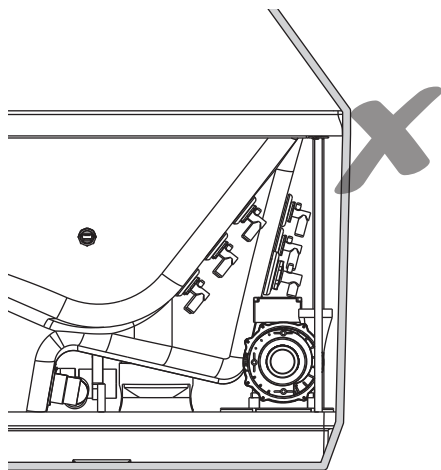
## 2 - HANDLING OF THE HOT TUBE:



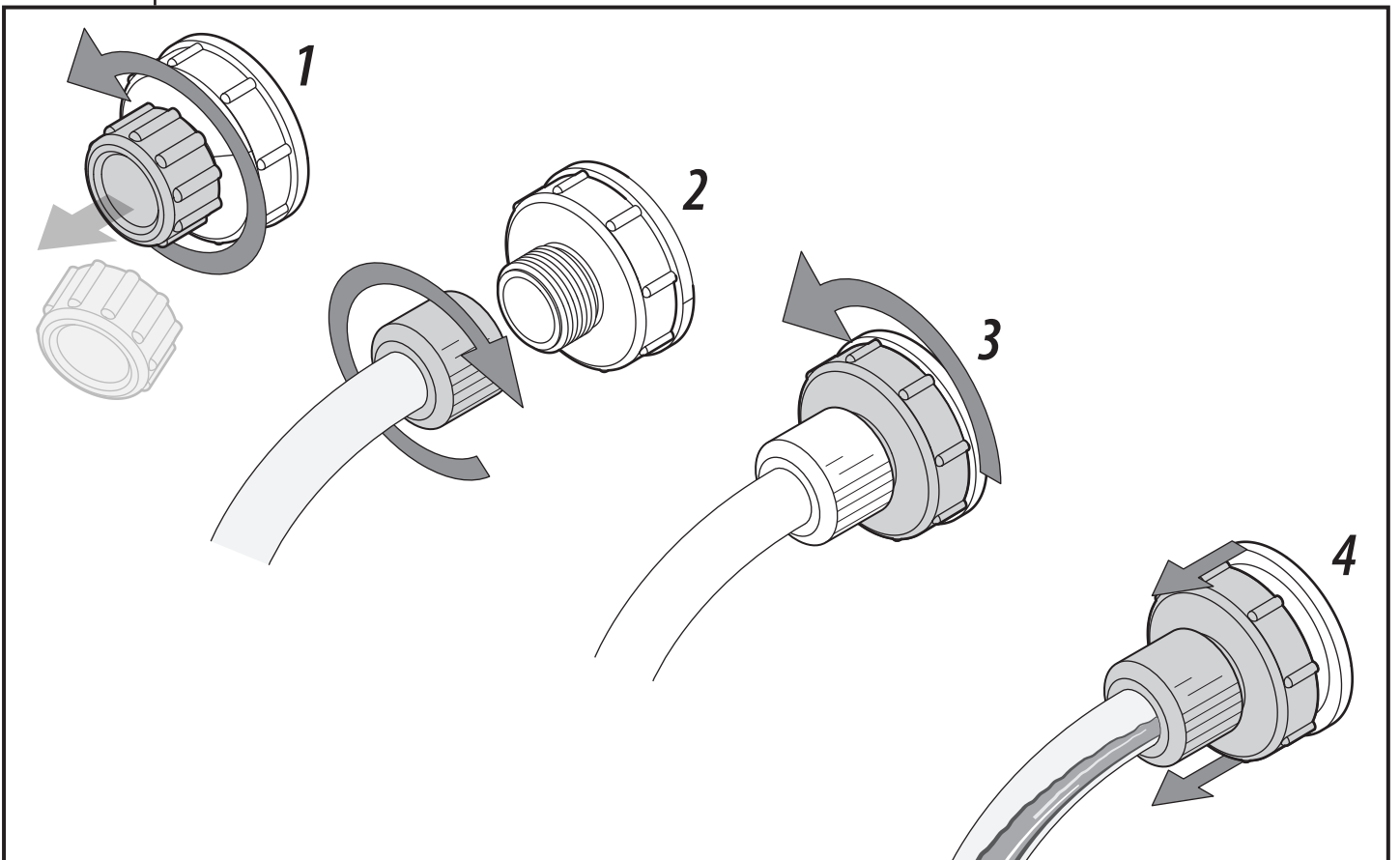
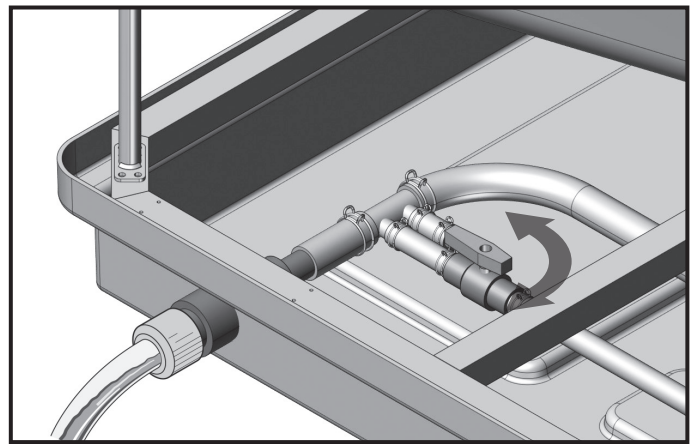
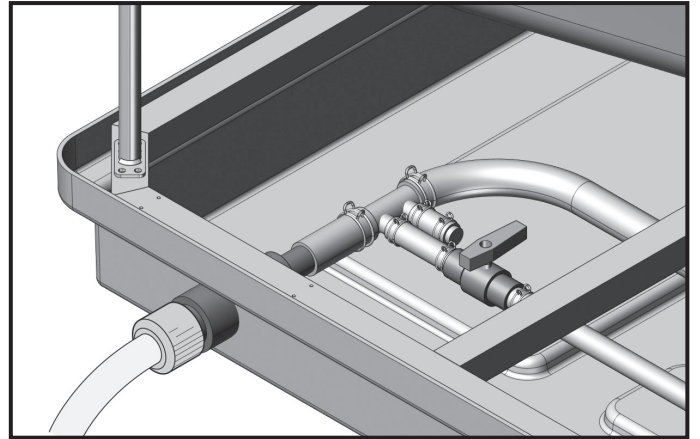
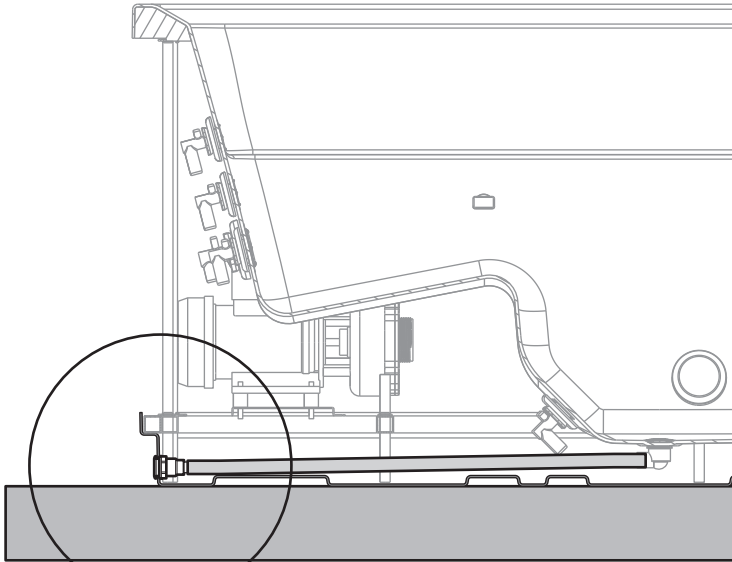
SPA XL 360 Kg  
SPA XXL 440 Kg



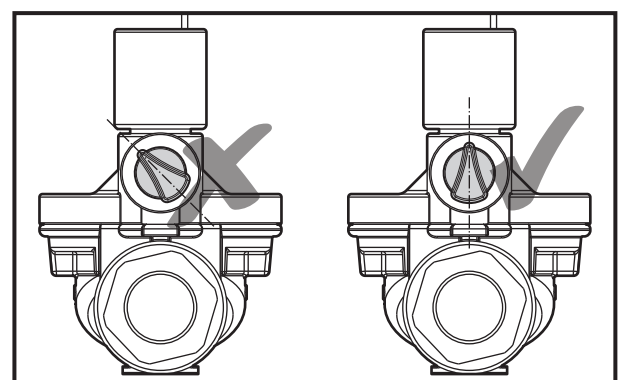
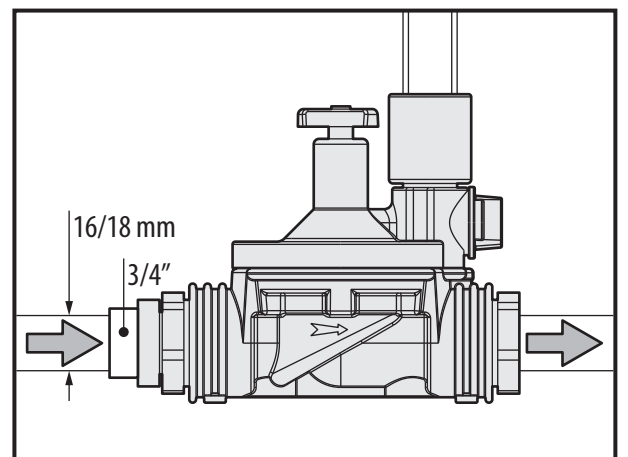
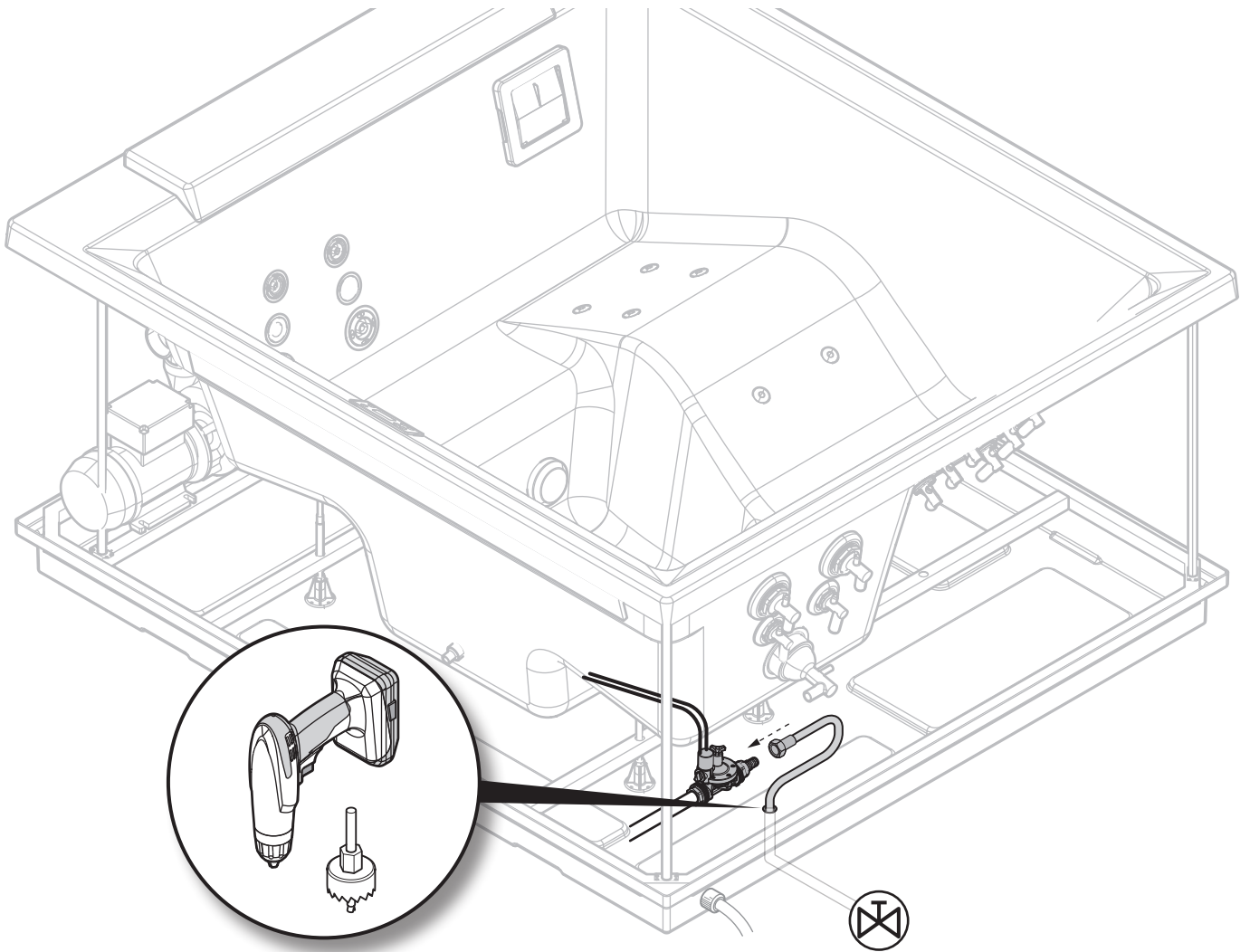
## 3 - POSITIONING OF THE SPA (freestanding or recess):



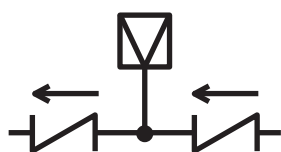
## 4- HYDRAULIC CONNECTION



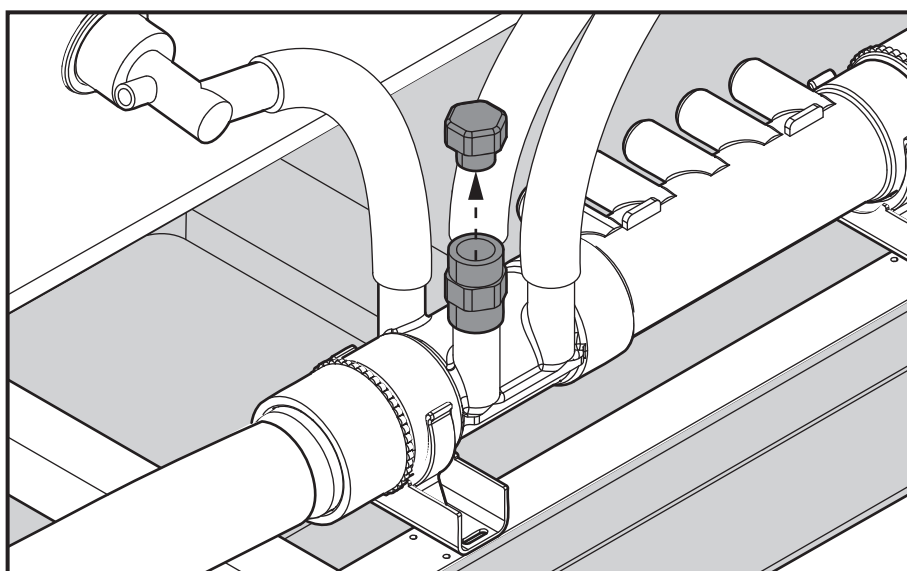
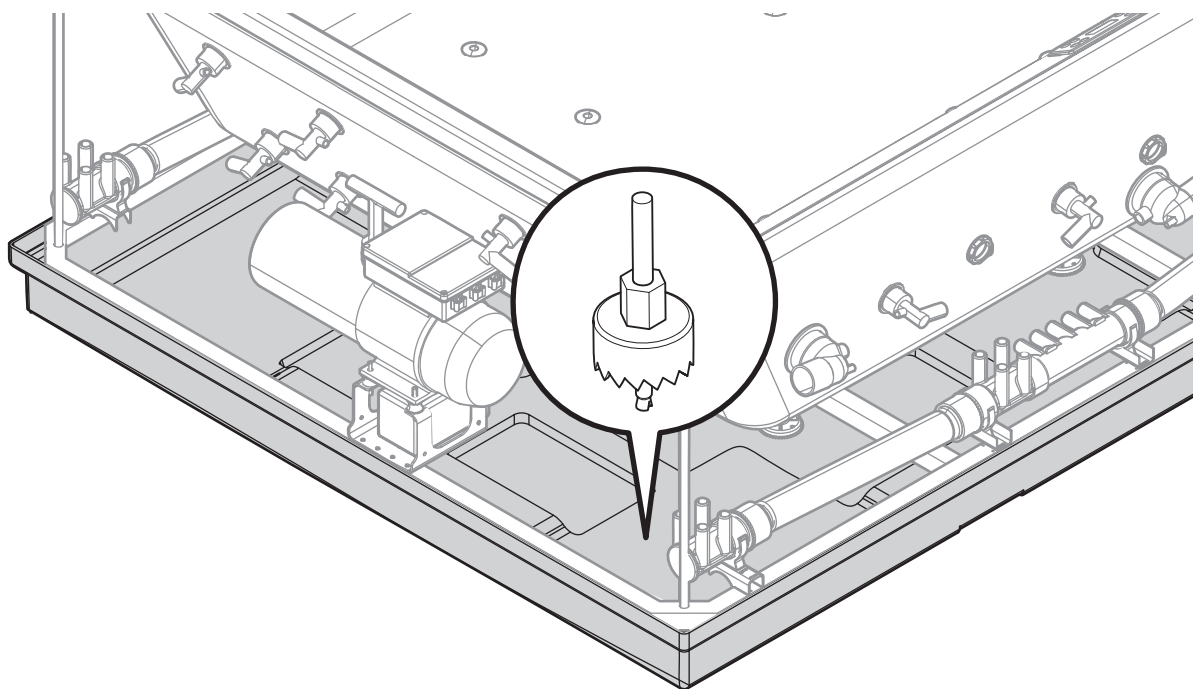
## Automatic water filling (optional)



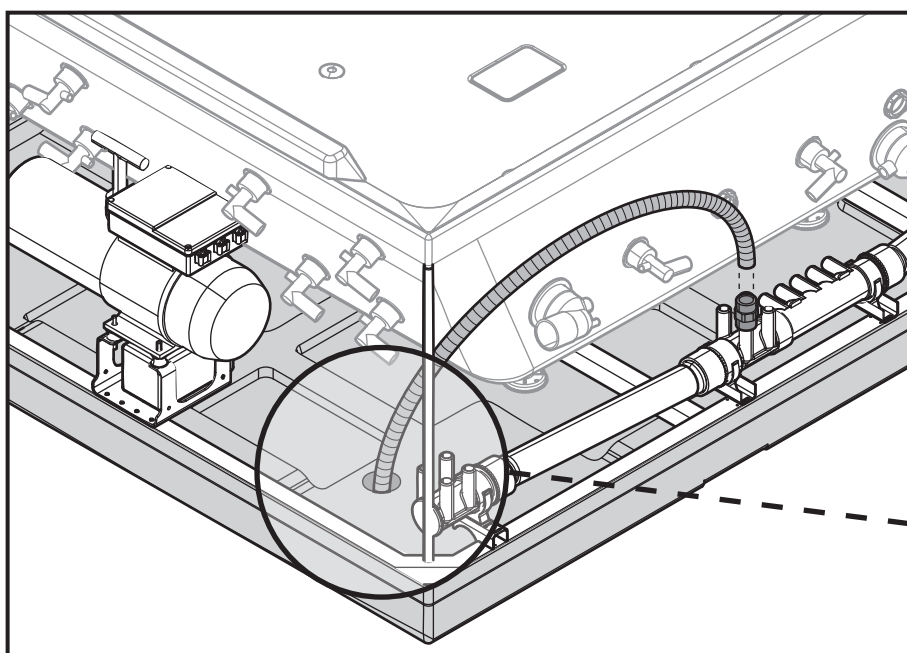
- Connect with the water supply hose with a disconnecting device respecting the regulations.



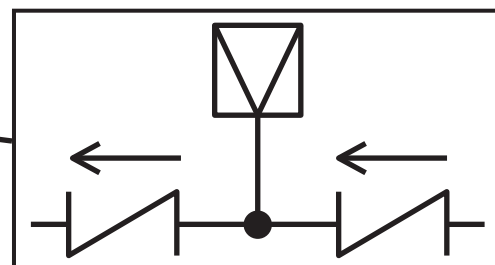
## 5 - CONNECTION TO THE WATER NETWORK (optional):



- unscrew the water inlet cap.

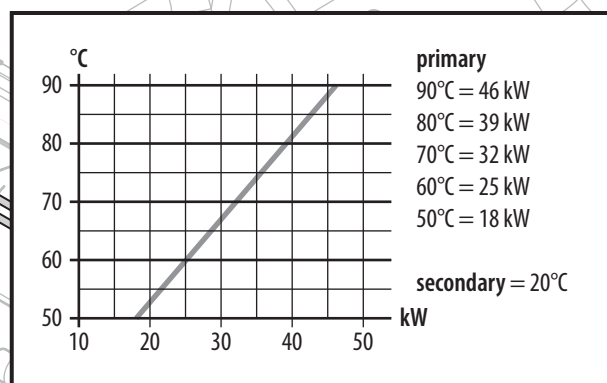
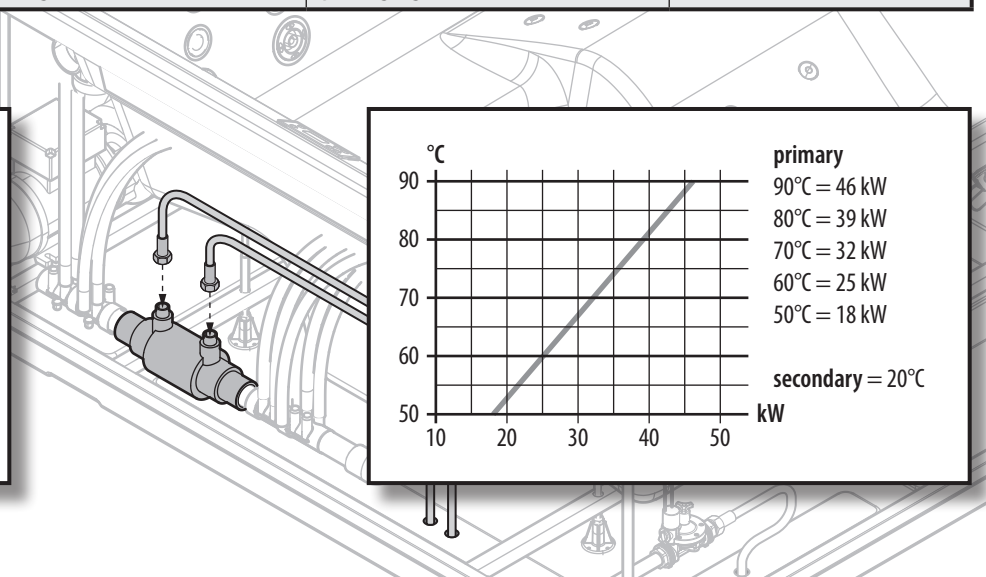
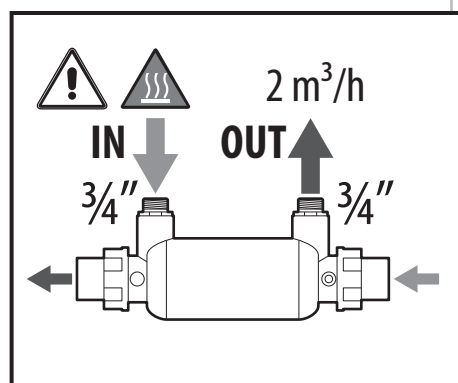


- connect with the water supply hose with a disconnecting device respecting the regulations.



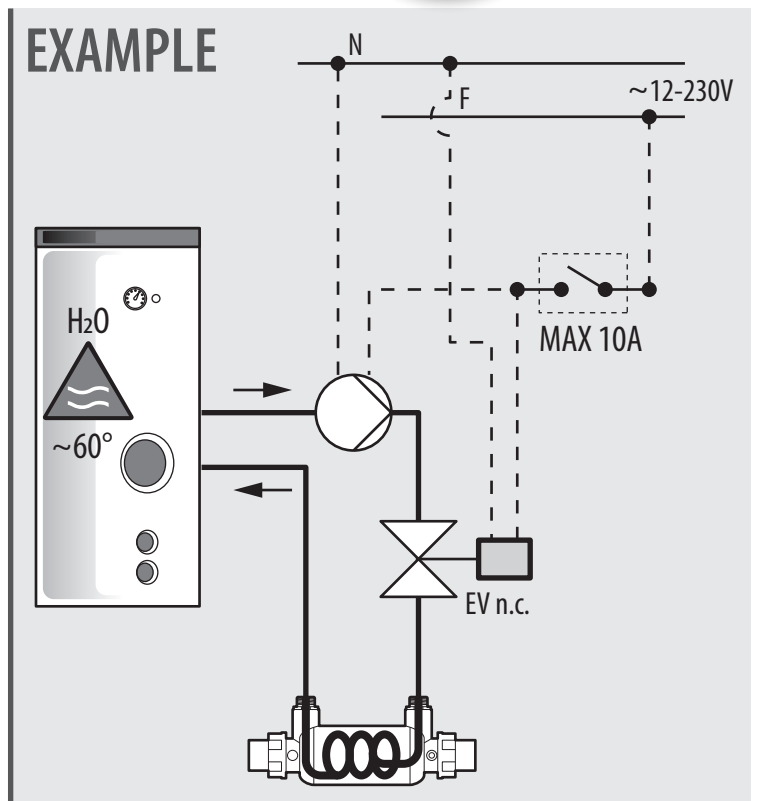
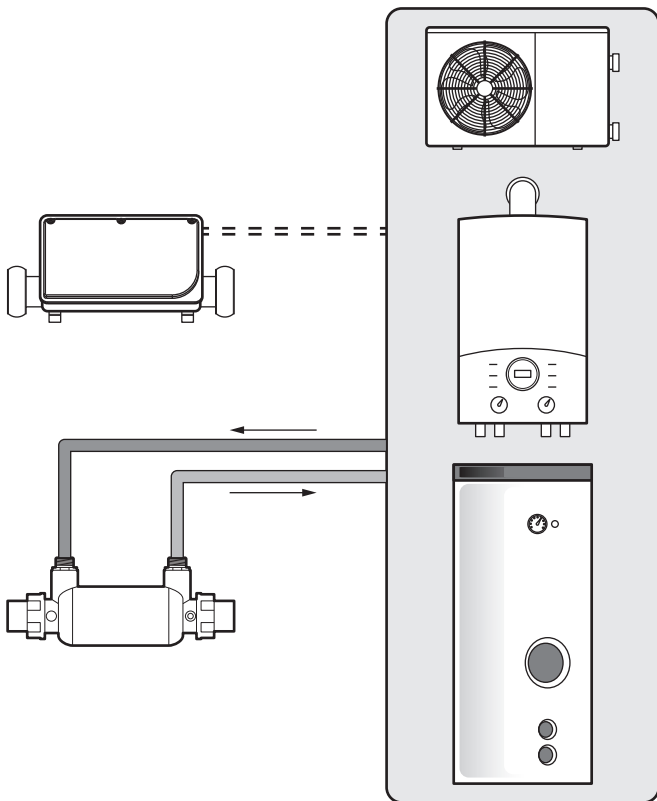
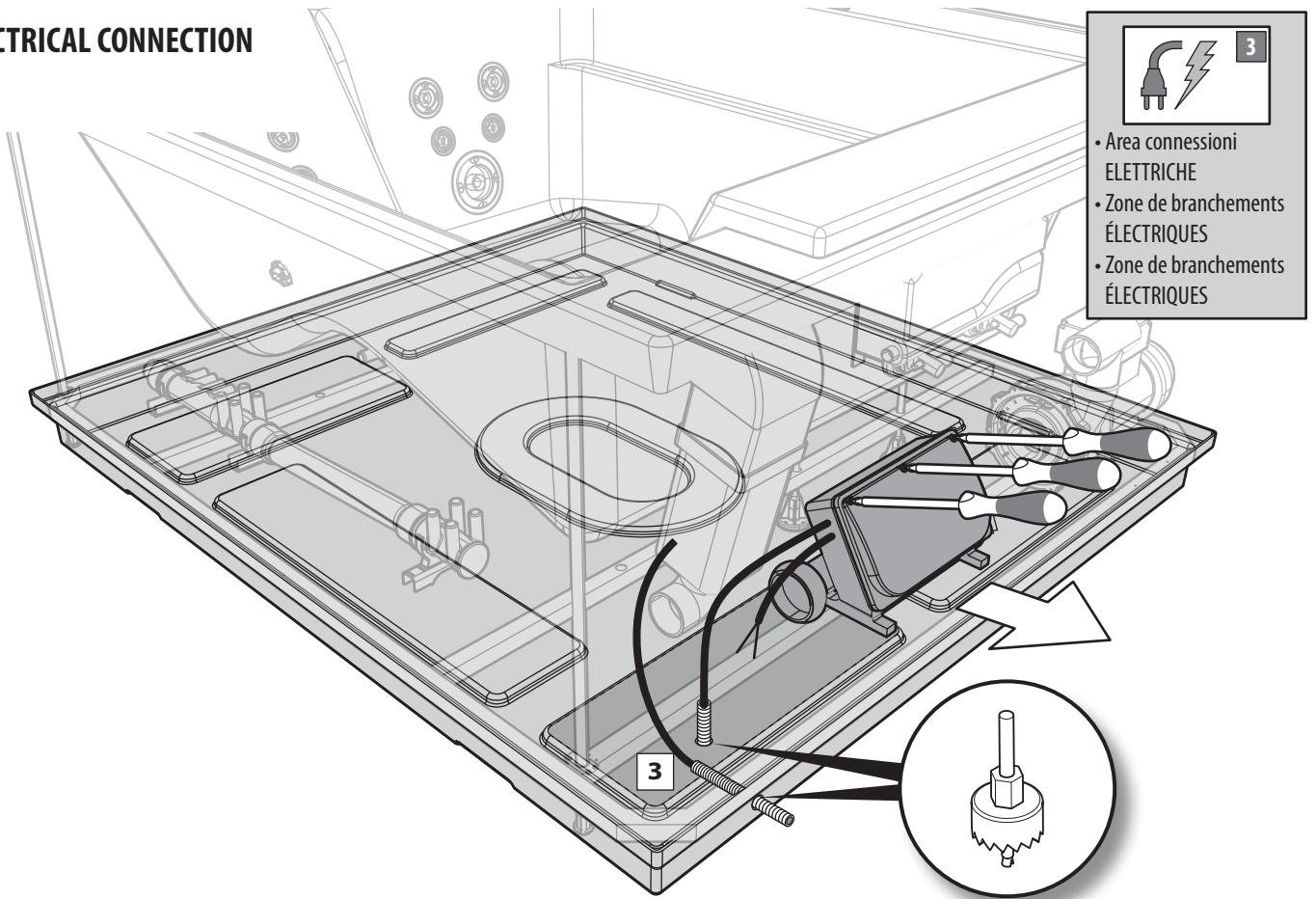
## HEAT EXCHANGER (Optional):

Informazioni tecniche	Informations Techniques	Technical Information	D-KWT 45
capacità termica	puissance thermique à 90 °C	heat capacity	46 kW
capacità termica	puissance thermique à 90 °C	heat capacity	39.560 kcal/h
differenza di temperatura	différence de température	temperature difference	70 °C = 0,66 kW/°C
area	surface d'échange	area	0,15 m <sup>2</sup>
primary flow	débit primaire	primary flow	2 m <sup>3</sup> /h
flusso secondario	débit secondaire	secondary flow	10 m <sup>3</sup> /h
perdita di pressione primaria	perte de puissance primaire	pressure loss primary	0,15 bar
perdita di pressione secondaria	perte de puissance secondaire	pressure loss secondary	0,15 bar
pressione massima primaria	pression de service max. primaire	max. pressure primary	6 bar
pressione massima secondaria	pression max. secondaire	max. pressure secondary	2 bar
materiale alloggiamento	matériau boîtier	material shell	PP 30% FG
materiale manicotti di unione	matériau manchons union à coller	material gluing socket	ABS
materiale O-ring	matériau joints toriques	material O-rings	silicone
materiale tubo corrugato	matériau tube ondulé	material corrugated tube	AISI 316 / titanium
peso	poids	weight	2,2 kg
imballaggio	emballage	packaging	0,095 m <sup>3</sup>

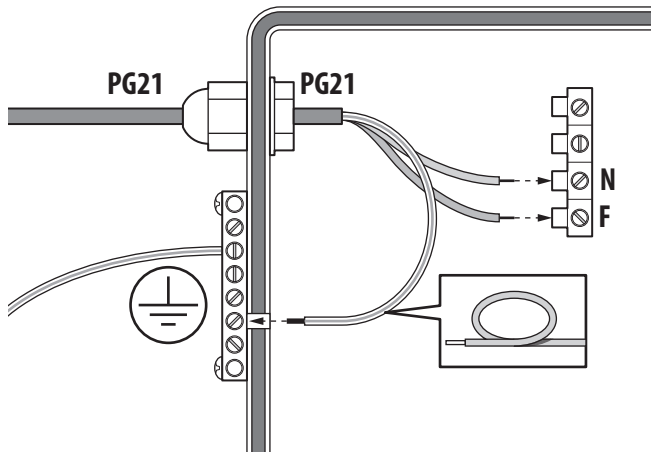


Tipo	typ	type	D-KWT 45		
acqua della piscina	eau de piscine	pool water	20 °C	24°C	28°C
capacità termica	puissance thermique	heat capacity	25 kW	22,4 kW	19,7 kW
primario in/out	primaire entrée/sortie	primary in/out	60/49°C	60/50,2°C	60/51,4°C
secondario in/out	secondaire entrée/sortie	secondary in/out	20/22,1°C	24/25,9°C	28/29,7°C
capacità termica	puissance thermique	heat capacity	18 kW	15,4 kW	12,7 kW
primario in/out	primaire entrée/sortie	primary in/out	50/42,1°C	50/43,3°C	50/44,5°C
secondario in/out	secondaire entrée/sortie	secondary in/out	20/21,5°C	24/25,3°C	28/29,1°C

## 7- ELECTRICAL CONNECTION



• The electronics are equipped with a normally open dry contact. The contact closes when the tub water temperature needs to be increased. The installer must use the contact to feed water to the primary circuit, for example, controlling a solenoid valve starting a pump or drawing water from a heat pump.



• connect the grounding to the external terminal through the hole indicated by the arrow.

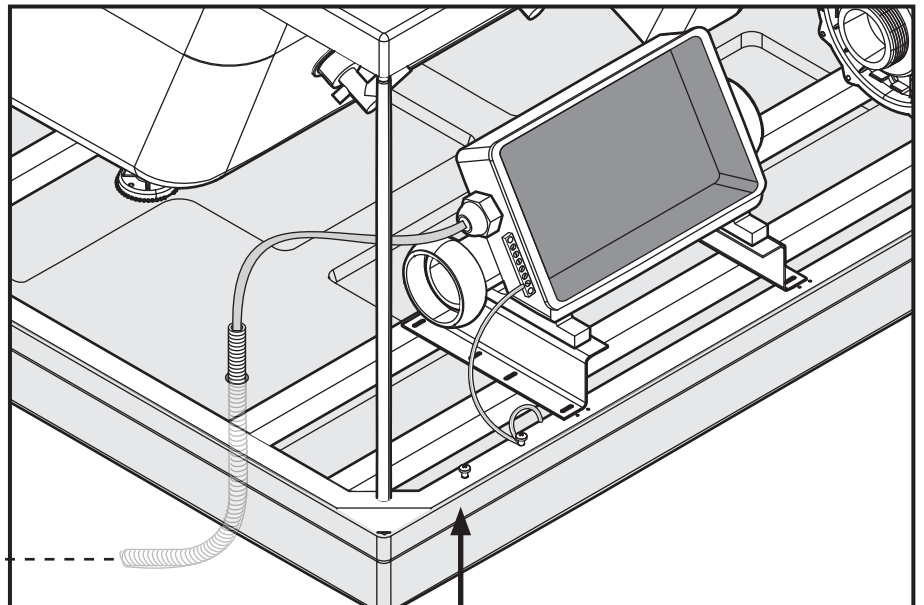
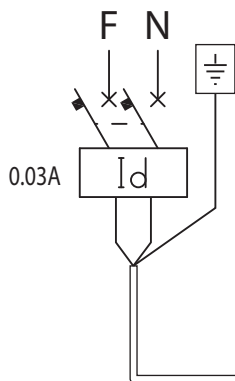
connect the 2 wires:

F: fase

N: Neutro

to the two terminals by routing the cable to its "fairlead":

• 30 mA differential switch connection



• connect the equipment to the system equipotential bonding with the appropriate clamp present on the frame of the SPA.

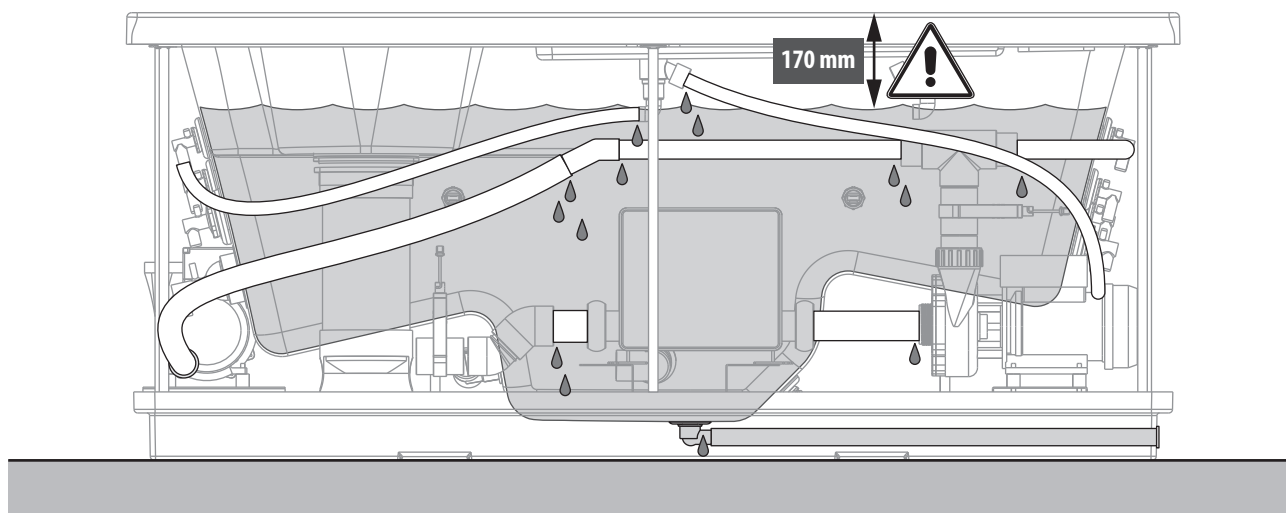
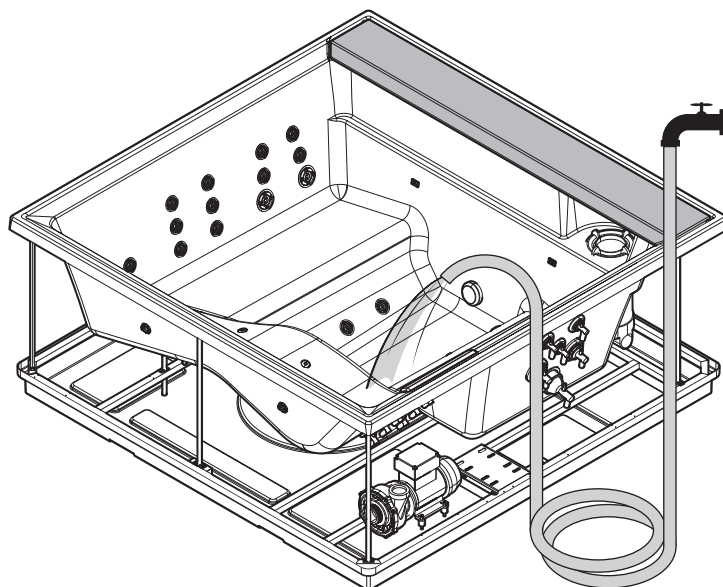
MODELS	VERSION	CONTROL BOARD	SOFTWARE SETUP	SWITCH POSITION	
				OFF	ON
XL	STANDARD	BP601	5	A1-A2-A3-A4-A5-A6-A7-A8-A9-A10	/
	PLUS		1	A1-A2-A3-A4-A5-A6-A7-A8-A9-A10	/
XXL	STANDARD	BP601	1	A1-A2-A3-A4-A5-A6-A7-A8-A9-A10	/
	PLUS		1	A1-A2-A3-A4-A5-A6-A7-A8-A9-A10	/

## 8- TESTING:

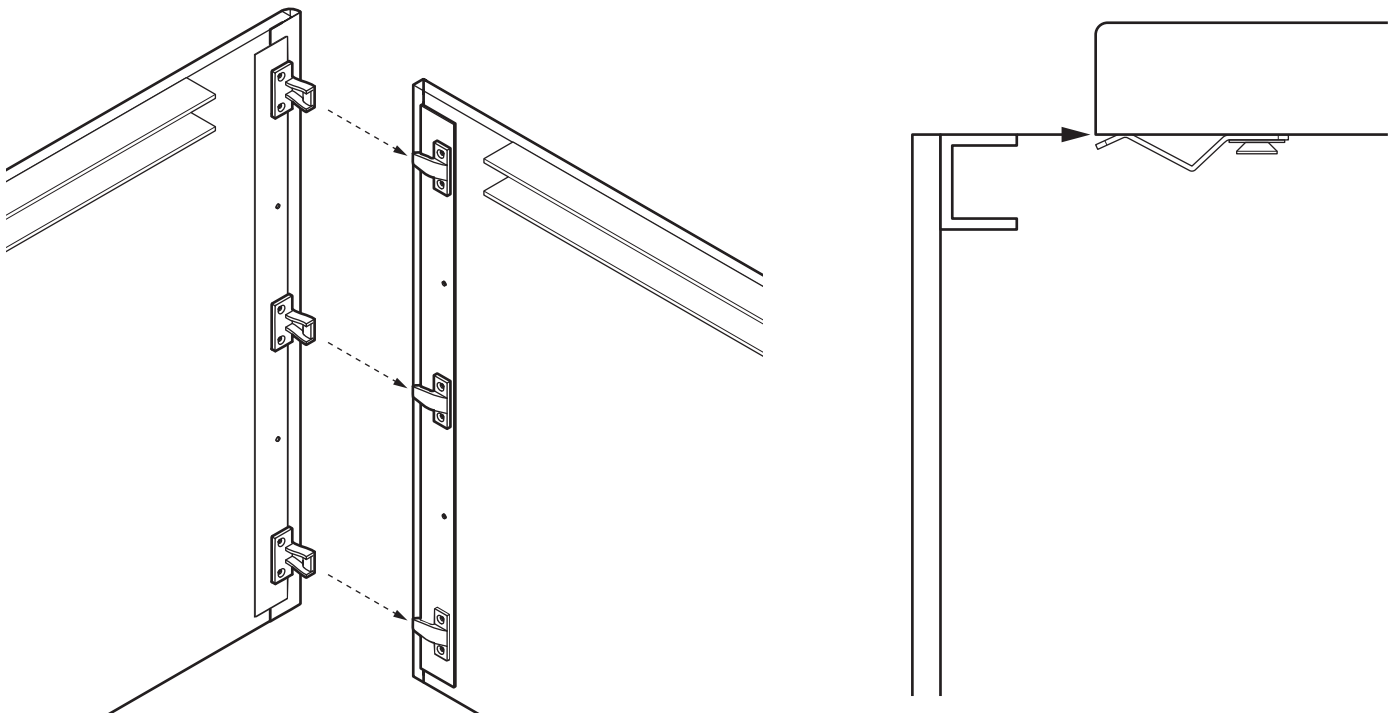
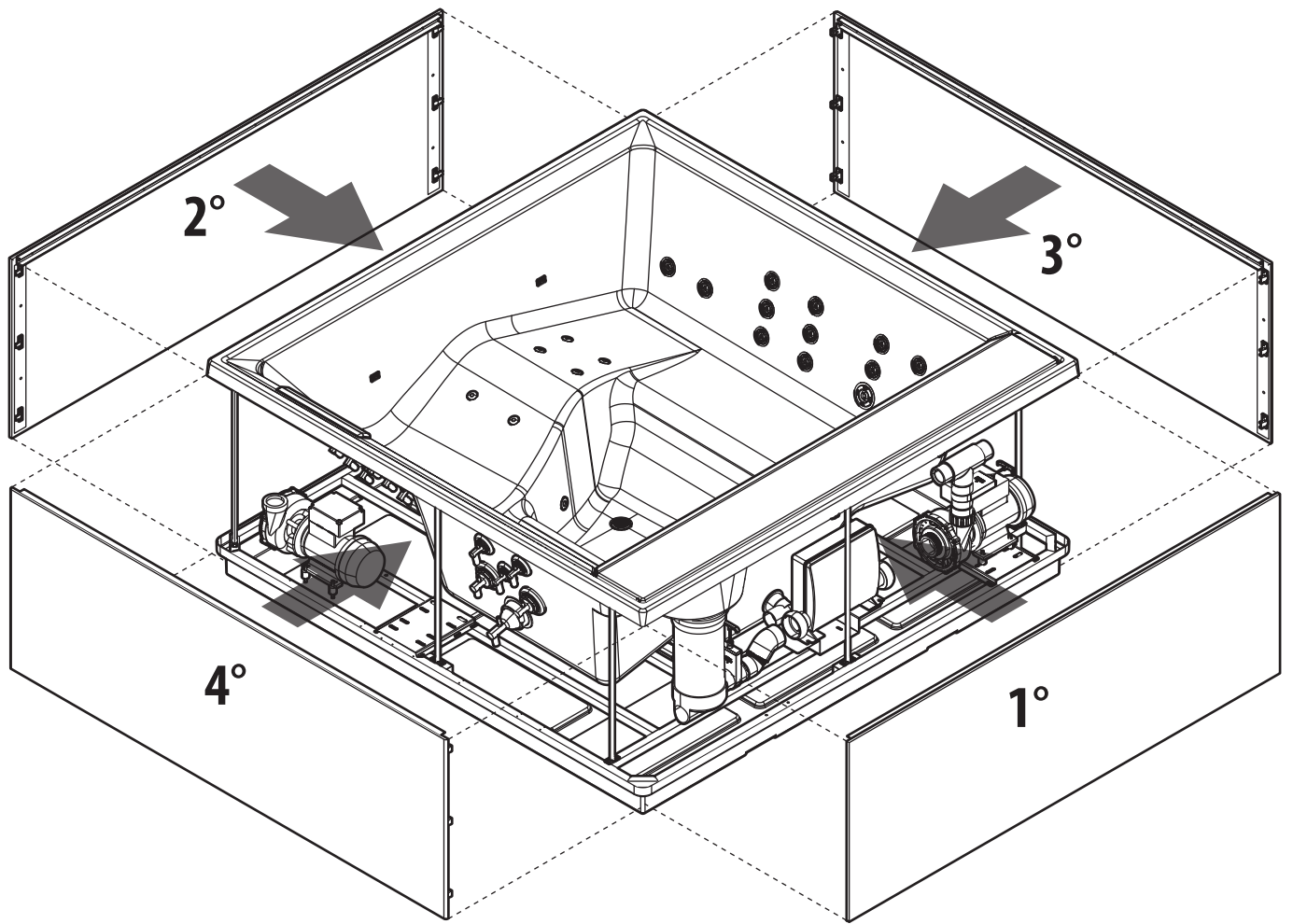


• **FOR THE FIRST USE REFER TO THE USER MANUAL**  
After having carried out all the installation according to the previous instructions, proceed with the SPA test following the indications in the user's manual in the "first ignition" chapter.

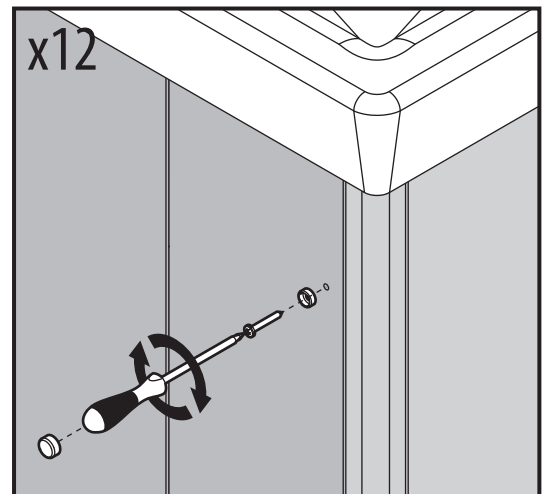
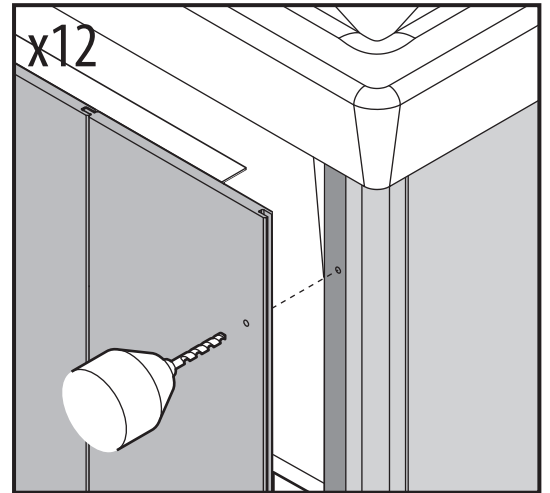
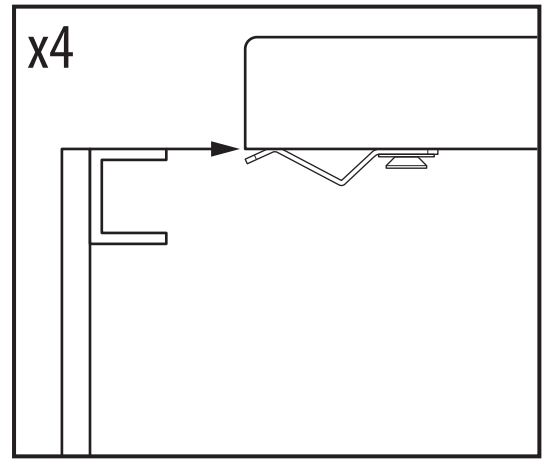
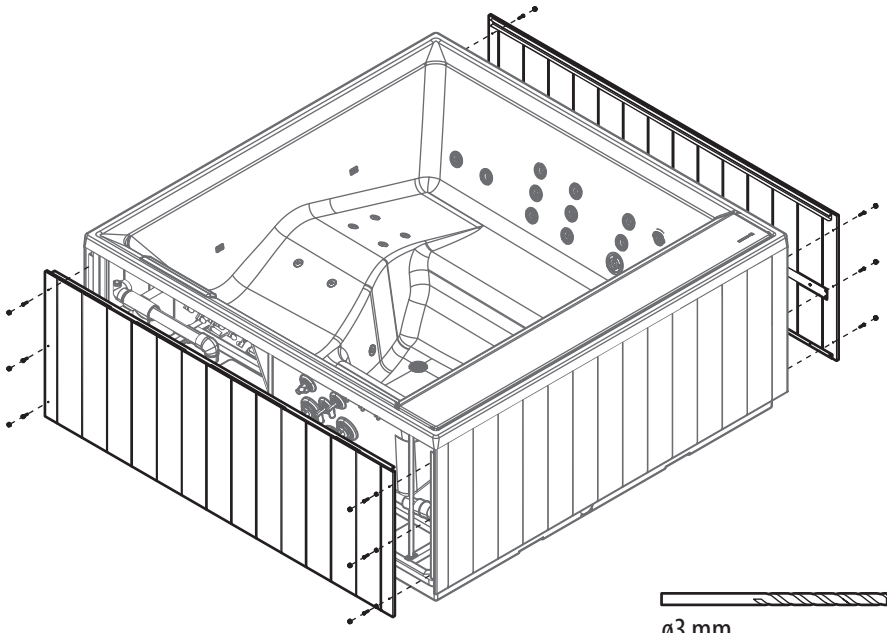
**VERIFY TIGHTNESS AND CORRECT FUNCTIONING**



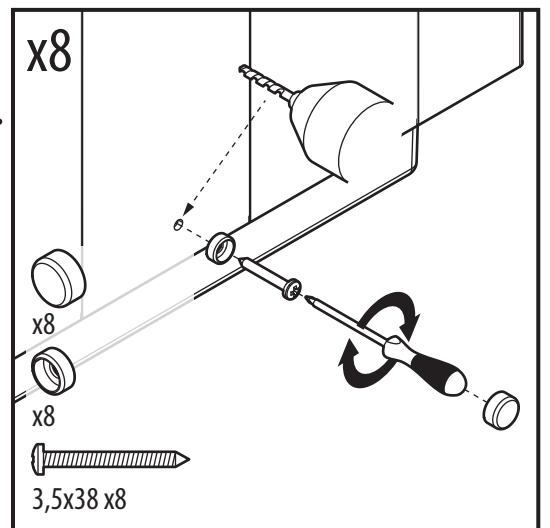
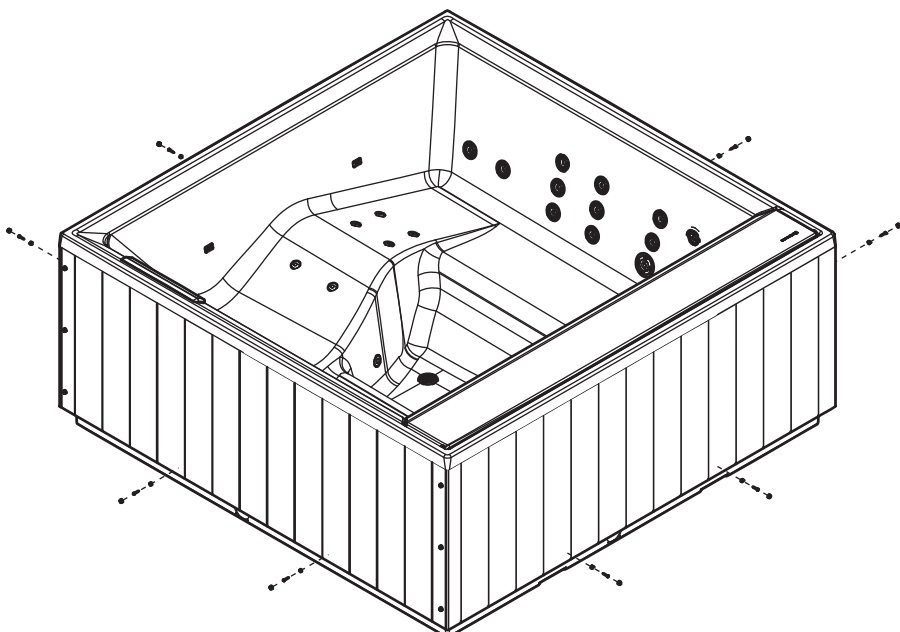
9 - PANEL MOUNTING (OPTIONAL):



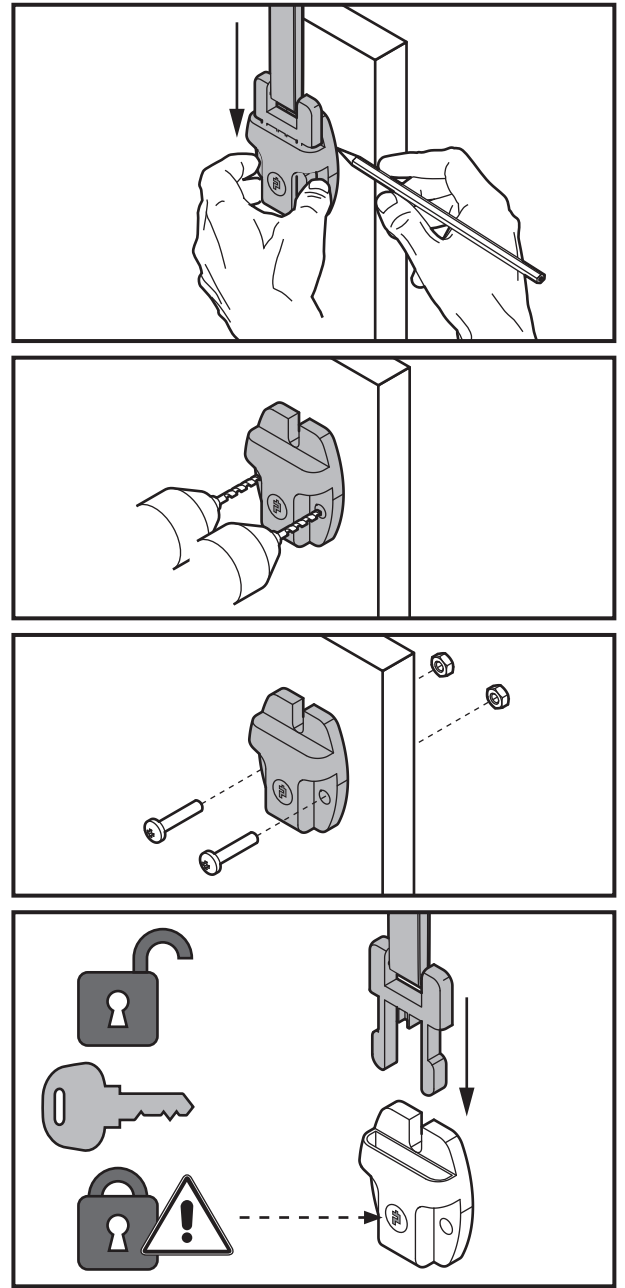
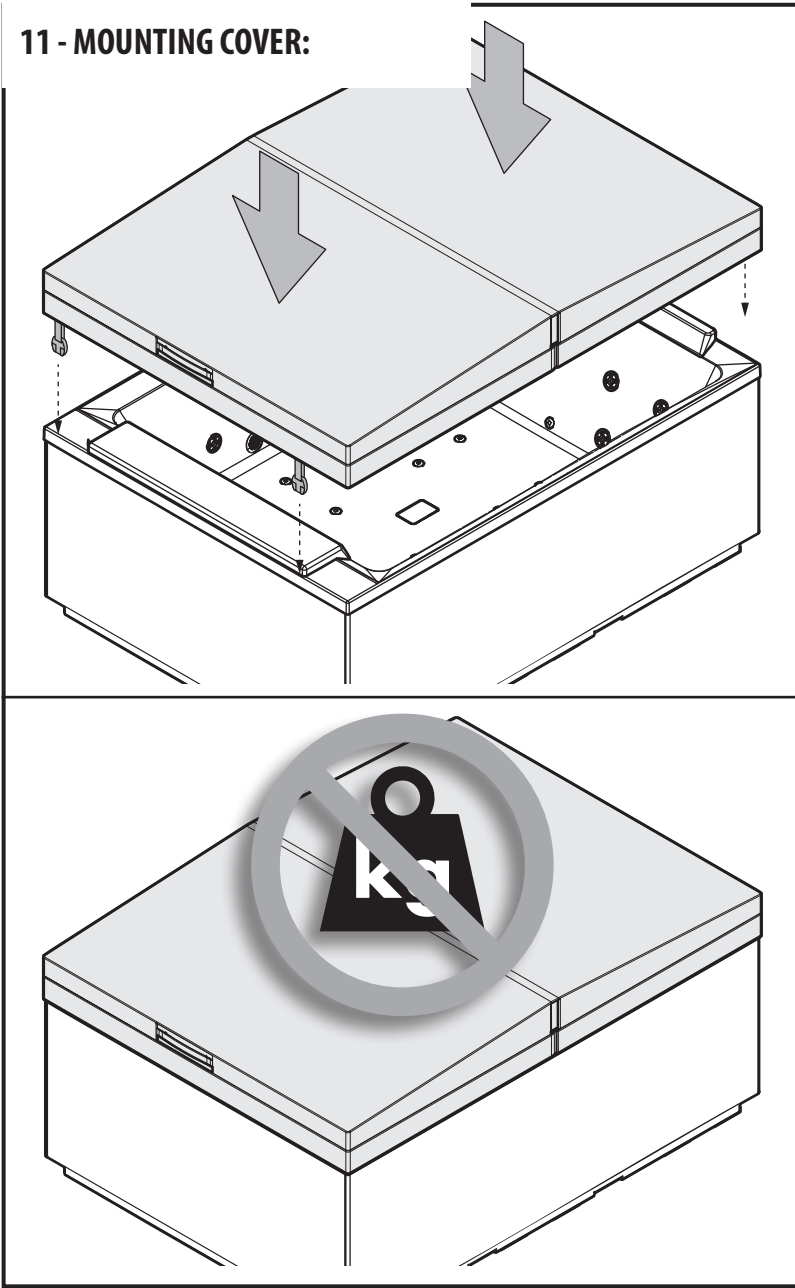
# 10 - INSTALLATION OF SLAT PANELS (OPTIONAL):



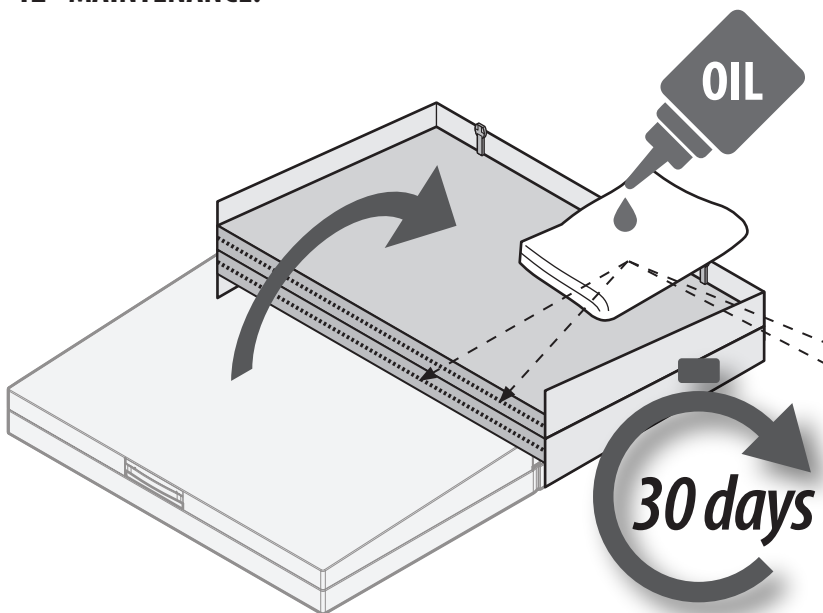
- 3,5x19 x12
- x12
- x12



**11 - MOUNTING COVER:**



**12 - MAINTENANCE:**



**13 - SIGNALLING INSTALLATION (not supplied):**

Place the safety and prohibition symbols on or within 2 m of the SPA in a clearly visible position:

**1 - Supervision by adults**



**2 - Prohibition of diving**



**3 - Read the user manual**



**4 - Do not insert your fingers into the massage jets**



**PRODUCT GUARANTEE:**

All products purchased by consumers, as defined in Article 3 of the Consumer Code (Legislative Decree no. 206 of 6 September 2005 and subsequent amendments), are covered by the legal guarantee of the seller under Article 128 and subsequent amendments of the consumer Code. In case of lack of conformity of the product, we invite the consumer to contact their dealer within the statutory deadline. Outdoor hot tubs warranty period 2 years (covers and accessories are excluded).

- EN 60335-1
- EN14516
- EN 12764
- EN 61000-3-2
- EN 61000-3-3
- EN 301 489-17 V3.2.0
- EN 62233
- EN 301 489-1 V2.2.0
- EN 17125

**DISPOSING OF THE WHIRPOOL SPA:**

For the disposal of the product or its parts, follow the local regulations on matters of waste disposal. For Italy, Legislative Decree n. 152 of April 3, 2006 will hold, and for the other EU countries, Directive 2008/98/EC.

 SEPARATE COLLECTION - PACKAGING - CHECK THE PROVISIONS OF YOUR MUNICIPALITY (COUNTRY).

Conforms with The Restriction of the Use of Certain Hazardous Substances in Electrical and Electronic Equipment Regulations 2012, and that the maximum concentration allowed for the following substances have been fully complied to.

- Mercury (Hg), 0.1% max.
- Cadmium (Cd), 0.01% max.
- Lead (Pb), 0.1% max.
- Chromium VI (hexavalent chromium) (Cr(VI)), 0.1% max.
- PBB (polybrominated biphenyls), 0.1% max.
- PBDE (Polybrominated diphenyl ether), 0.1% max.
- Bis(2-ethylhexyl) phthalate (DEHP) (0,1 %) max.
- Butyl benzyl phthalate (BBP) (0,1 %) max.
- Dibutyl phthalate (DBP) (0,1 %) max.
- Diisobutyl phthalate (DIBP) (0,1 %) max

**UK DECLARATION OF CONFORMITY:**

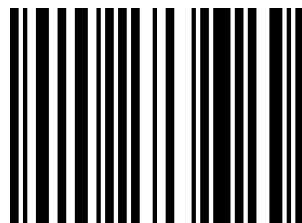
**CA** The manufacturer Novellini S.p.a. Via Mantova, 1023 - 46030 Romanore di Borgo Virgilio, Mantova - Italy Declares under its responsibility that the following products: whirlpool SPA mod. 900/30 are in conformity with the following directives: Electromagnetic Compatibility Regulations 2016, Electrical Equipment (Safety) Regulations 2016, Radio Equipment Regulations 2017, Construction Products, Regulations 2019 and subsequent amendments, with reference to designated standards:

- EN 55014-1
- EN 55014-2
- EN 60335-2-60









183072

**NOVELLINI S.p.A.**

Via Mantova, 1023 - 46030 Romanore di Borgo Virgilio (Mn)  
Tel. +39 0376 6421 - Fax +39 0376 642250 - e-mail: [novellini@novellini.it](mailto:novellini@novellini.it)  
[www.novellini.com](http://www.novellini.com)