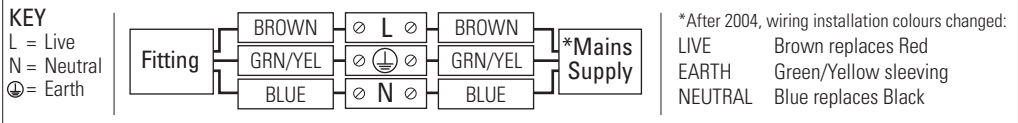


# Safety & Installation Instructions

v1.2.-04.19

These instructions are provided for your safety in order to prevent the risk of Fire, Electric shock or Injury. It is vitally important that they are read in their entirety before installing your fitting. Please retain for future reference.

1. If you are in any doubt consult a qualified electrician as to the installation of the fitting. Install in accordance with current IEE wiring regulations. It is recommended that this fitting is installed by a qualified electrician.
2. Ensure that the electrical supply is OFF. Disconnect the electrical supply at the fuse-board.
3. If removing an existing fitting first, note all wiring connections: record which of the house wires is connected to the live, neutral and earth terminals.
4. Carefully identify where the supply cable is (and check there are no other cables in the area) to avoid damage to concealed wiring during installation.
5. Position the light where desired ensuring that there is suitable support adjacent to where you will connect to the house supply and mark position of fixing holes, before drilling appropriate holes as below.
6.
  - a. Brick or masonry: Drill holes into which the wall plugs tightly fit, then insert wall plugs.
  - b. Wood: No hole necessary (unless small pilot hole required), screws can be screwed directly into the timber.
  - c. Plaster/Cavity: Special cavity wall fittings are required, rather than provided fixings. These are widely available from good hardware or DIY store and should come with their own instructions that must be followed. It may be easier to relocate the fitting so that you screw directly into a timber joist or beam.
7. Support the fitting so that no strain is applied to the wiring when making the electrical connections. If necessary get a colleague to help.
8. Electrical connection: this light fitting must be earthed. Make connections following the diagram below using the terminal block provided. A small flat-head screwdriver is required. Connections should be housed in enclosure suitable for the installation.



9. To maintain the IP rating of this fitting, you must ensure that the electrical connection has suitable protection from water ingress, housing the connection in an IP rated junction box or sealing the backplate with silicone.
10. Ensure that all electrical connections are tight, with no loose strands of wire left out of the connectors, no wires are trapped behind or within the fitting and complete the installation, screwing the fitting to the mounting surface, referring to the installation diagram inside.
11. Switch on at the fuse-board. Your light fitting is now ready for use.

## Other Important Information

Ensure children do not play with the light fitting. Adjust fitting only when power to the fitting is off and has been left to cool. If the electrical flex or electrical components become damaged at any point, power to the fitting should be disconnected immediately and not operated until the damaged parts are fixed/replaced.

## Cleaning and Maintenance

Metal finishes should only be cleaned with a soft, dry cloth. Do not use polishes or abrasives. Glass can be cleaned by hand, using a soft damp cloth with a diluted mild detergent (nonabrasive) or suitable glass cleaner if necessary. Switch off power to the fitting before cleaning. Spare parts are available for this product, please contact us on the details below.

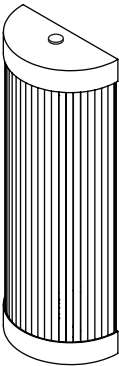
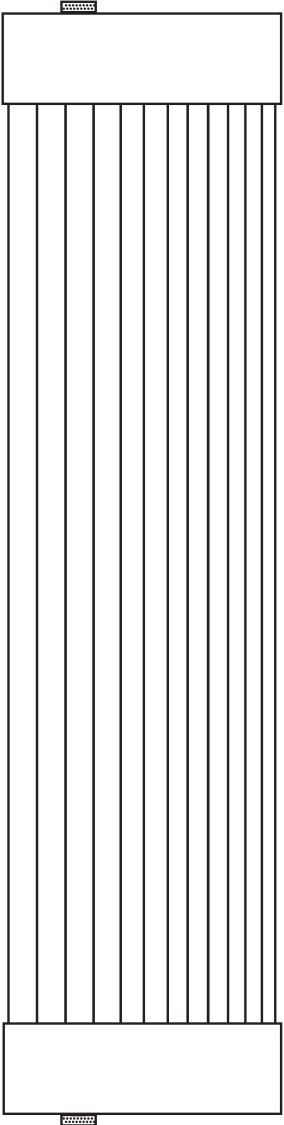
Established in 1990, Original BTC manufactures relaxed, familiar lighting for traditional and contemporary homes. All products are hand-assembled in Oxford from high quality components, produced in the UK.

ORIGINALBTC.COM  
+44 (0)1993 882 251  
UNIT 21 / 22 AVENUE ONE, STATION LANE, WITNEY, OX28 4XZ, ENGLAND

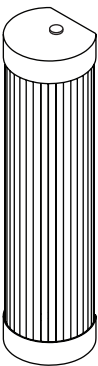


# Pillar Wall Light with Glass Rods 7210/7211

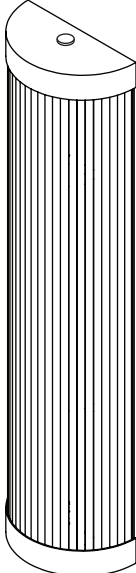
## Instruction Manual



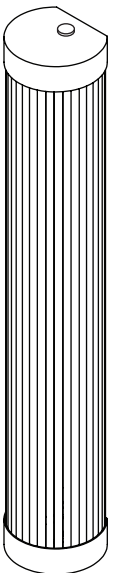
7210/40/LED  
7210/40/IP44



7211/40/LED  
7211/40/IP44



7210/60/LED



7211/60/LED

**ORIGINAL BTC**  
BRITISH LIGHTING MANUFACTURERS  
LONDON - PARIS



# Pillar Wall Light with Glass Rods | 230V ac 50Hz | IP44

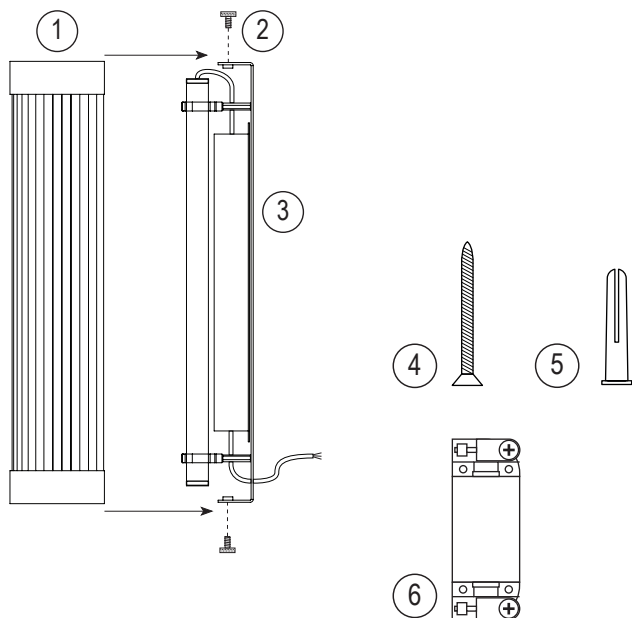
7210 Pillar Wall Light with Glass Rods (7210/40/LED | 7210/40/IP44 | 7210/60/LED)  
 7211 Pillar Wall Light with Glass Rods (7211/40/LED | 7211/40/IP44 | 7211/60/LED)

LED LAMP GUIDANCE		
MODEL	TYPE	WATTAGE
7210/LED/40, 7211/LED/40	LED	4.5W
7210/LED/60, 7211/LED/60	LED	7W

Integral LED light source. DO NOT ATTEMPT TO REPLACE LAMP. In case of lamp failure contact original point of purchase. Contains 12V dimmable driver, compatible with trailing edge dimmer modules.

IP44 LAMP GUIDANCE					
MODEL	BASE	SHAPE	TYPE	WATTAGE	
7210/40/IP44	G5	T5	INCANDESCENT	✗	n/a
7211/40/IP44			CFL	✓	8W MAX
			HALOGEN	✗	n/a
			LED	✗	n/a

Contains non-dimmable fluorescent ballast



## Contents

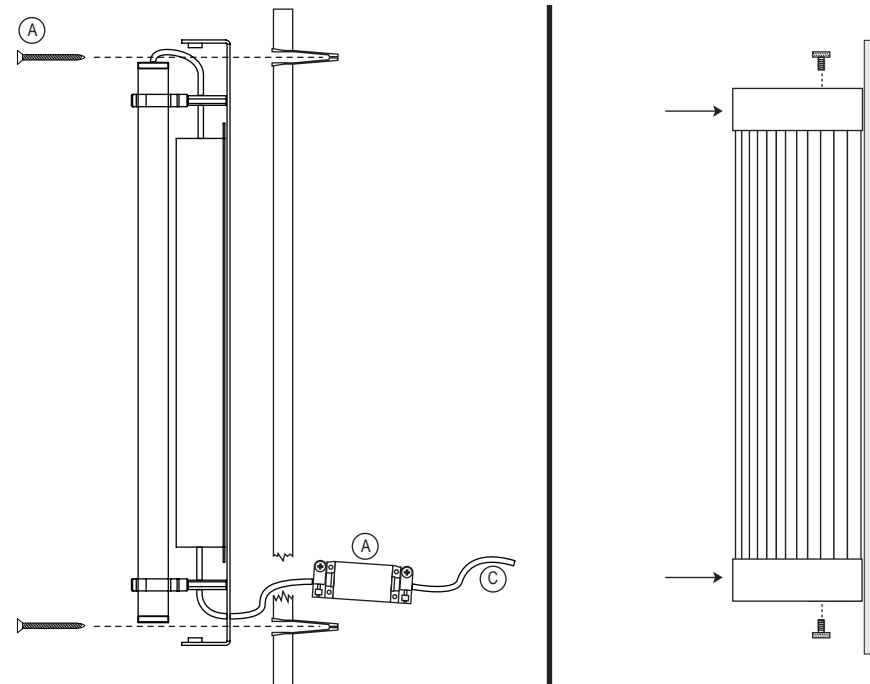
- 1 - Pillar light - glass rod front
- 2 - 2 x Gallery screws
- 3 - Backplate/lamp (LED/T5)/driver housing module
- 4 - 4 x Fixing screws
- 5 - 4 x Rawl plugs
- 6 - IP44 Connector

## Required for Installation

- Screwdriver, flat-head
  - Small screwdriver, flat-head
  - Drill (if holes are required)
- Gallery screws secure end caps of pillar light to backplate. Remove for installation and re-lamping.

PLEASE READ THE INSTRUCTIONS ON THE REVERSE BEFORE YOU BEGIN INSTALLING YOUR LIGHT

## Installation Diagram



Install backplate/lampholder assembly & make electrical connection

Secure glass rod section to backplate using gallery screws

## Key

- A Fixing Screws
- B Connector Block (not included)
- C Main Supply

## Installation and Assembly Instructions

- LED version supplied with dimmable integral driver- compatible with most trailing edge dimmer modules.
- T5 version is non-dimmable.

## Assembly Instructions

- Remove the glass rod section of the pillar light from the back plate by unscrewing the gallery screws.
- Follow the instructions overleaf to install the fitting.
- Replace the glass rod section of the pillar light, using the gallery screws to secure it to the backplate.

*If this light is being installed in an exterior or bathroom location, a suitable silicone sealant should be applied around the backplate where it meets the mounting surface, to prevent moisture ingress into fitting.*

*This product is not suitable for installation in exposed exterior locations where there is a risk of exposure to direct rainfall. If installing in an exterior location, this product MUST have adequate shelter or cover to provide adequate protection from rainfall.*