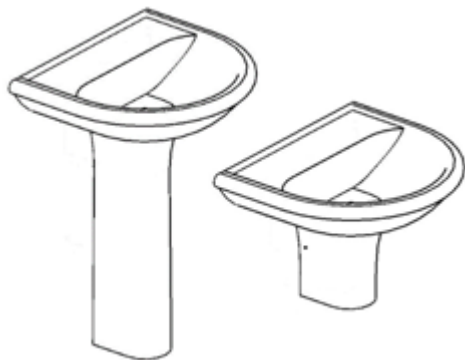


BAGNODESIGN

EXPERTLY CRAFTED BATHROOMS

General Installation Guide



PEDESTAL & SEMI-PEDESTAL WASH BASIN

A member of  SANIPEXGROUP

Please leave these instructions with the customer

IMPORTANT PLEASE READ

Remove all packaging and check the product for missing parts or damage before starting installation.

Any alterations made to this product and fittings may infringe water regulations and invalidate the guarantee.

The Installation must comply with all Local/National Water Supply Authority Regulations/Byelaws and Building and Plumbing Regulations.

We strongly recommend that your product be installed by a reputable qualified trade's person.

General Installation:

Please note this product can require 2 or more persons to lift and manoeuvre into position.

To the installer: Please read and follow this instruction carefully, as the guarantee is only valid if the product is installed as directed.

Don't rush, read the instructions first and run through them before you begin. Keep fittings together to avoid loss. Do not over tighten screws or bolts.

If the unit is covered with polyethylene protective film, do not remove until installation is complete to grant maximum protection. However, remove film where any two surfaces will be in permanent contact.

Verify that all dimensions on the plan are the same as the ones of the product.

Please leave this installation manual with the end user once the product has been installed.

Product Aftercare:

We recommend cleaning with a soft damp cloth and mild soap solution.

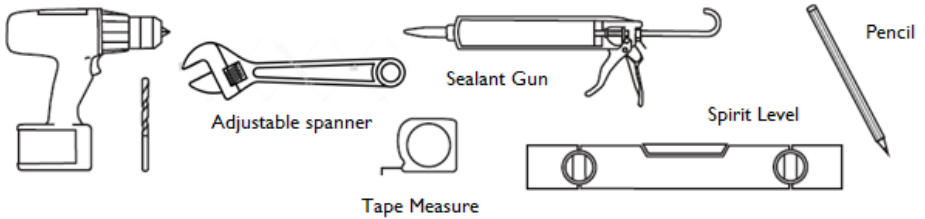
Do not use cream cleaners or cleaners containing bleach.

Do not scrub or scour.

Do not use abrasive cleaning agents.

Do not use solvent based cleaners.

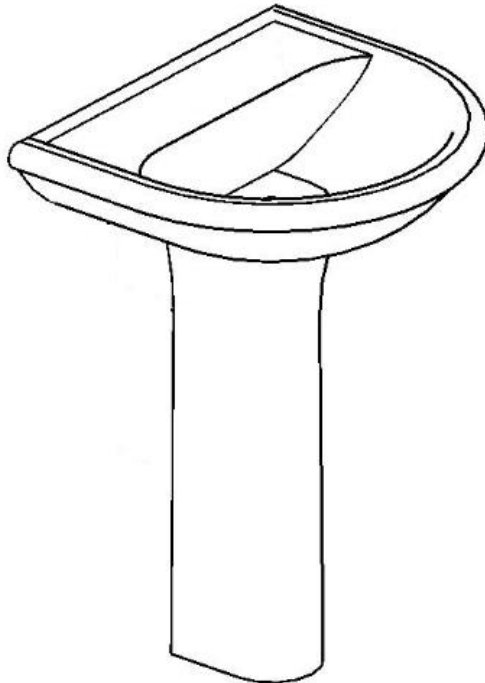
TOOLS REQUIRED (Not supplied)



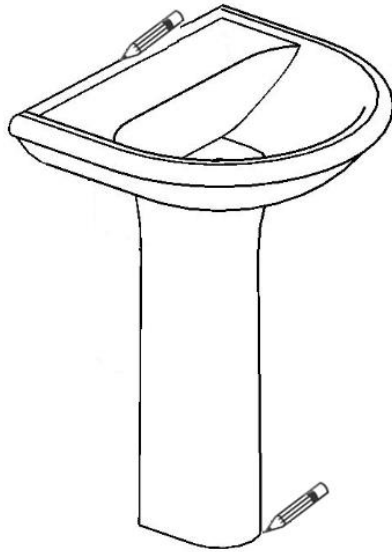
Drill and drill bits

Required when securing the wash basin to a wall. Use an appropriate size bit to match the wall fixing chosen (wall screws and fixings may not be supplied).

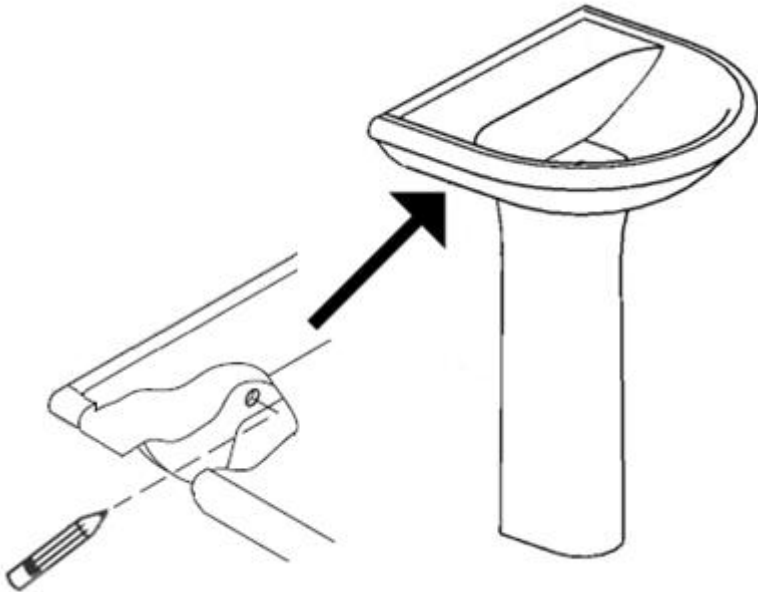
Full Pedestal



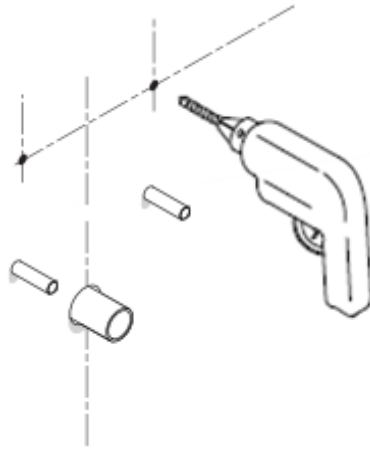
Place the pedestal in position, and place the basin on top, align the 2 items so that items are level. Also check that the basin is sitting flat against the wall.



Once level, draw a pencil line around the bottom perimeter of the pedestal and a line across the top edge of the basin, this will give a reference mark when re-installing after drilling.

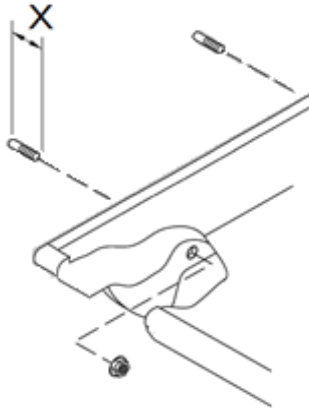


Before removing the basin, from the underside mark the wall anchor points as shown above



Remove the Basin and pedestal, the anchor point should be clearly marked.

Check with the fixing kit, and drill the holes to the required diameter and depth.



Install the threaded rod fixing into the wall, measure the thickness of the basin ceramic and add 25mm this will give you 'X', ensure X is protruding from the wall to allow fixing.

Using the reference marks, place the pedestal in position, then install the basin onto the the threaded rod and align with the pedestal.

Place the plastic washer and metal washer onto the threaded rod and then hand tighten with the nut. If any adjustment for level is required do this before tightening the nut to fully secure.

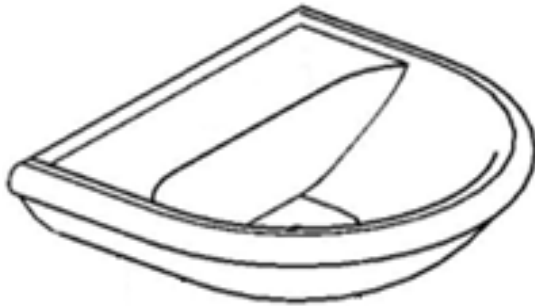


To secure the pedestal, place a bead of silicon around the base perimeter, and if required the joint between the basin and pedestal.

To finish, place a bead of silicon across the top and side edges of the basin.

INSTALLATION COMPLETE!!!

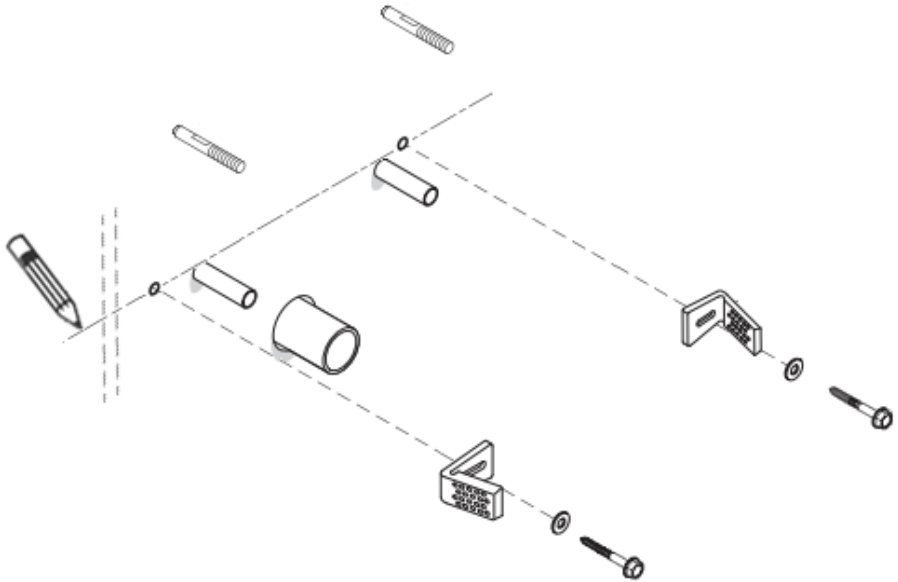
Semi – Pedestal



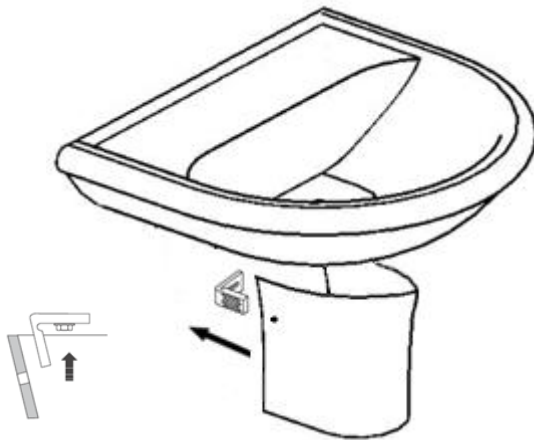
Install the basin as per the Full Pedestal instructions previous.



Hold the semi-pedestal in position under the basin, and mark the fixing hole and outer perimeter. Remove the semi-pedestal and remove the basin.



From the vertical line measure the thickness of the semi-pedestal, now draw the horizontal line through from the fixing hole. Offer up the fixing bracket so that the edge aligns with the inner vertical line. Mark the fixing hole, drill plug and bolt the fixing in place.



Connect the flexible pipes to the angle valves, Connect the waste and bottle trap to the waste pipe, test for any leaks. Place the semi-pedestal back into position over the fixing kit.



Secure the semi-pedestal to the fixing kit with the plastic sleeves and the screws. Fit the plastic cover caps over the heads of the screws.



Clean away the pencil lines and if required place a small bead of silicon around the semi-pedestal

INSTALLATION COMPLETE!!!

