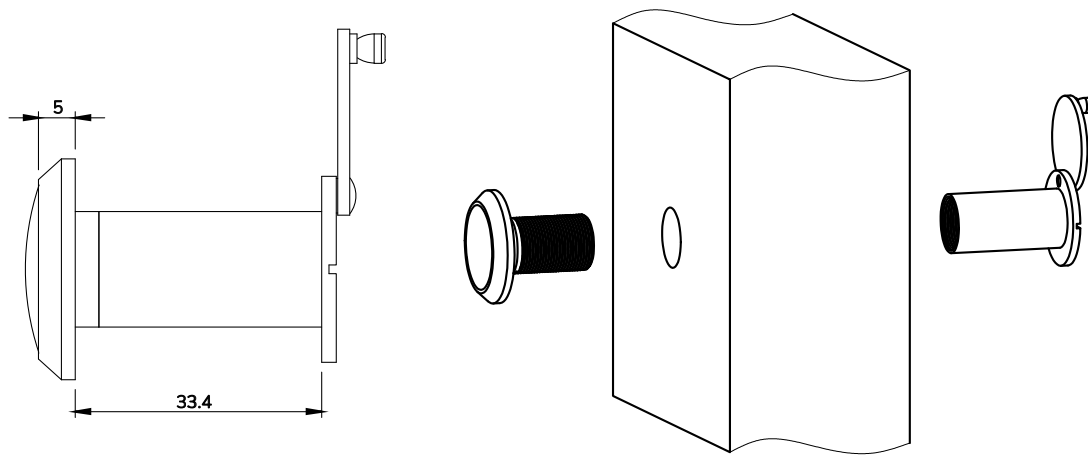


Installation Instructions



Installation Method for a Door Viewer (Peephole)

1. Select the Mounting Height

Choose a height that is comfortable for the primary users of the door.

2. Mark the Drilling Point

Use a pencil to mark the exact center point where the viewer will be installed. Ensure the mark is level and centered horizontally on the door.

3. Drill the Hole

Start with a pilot hole drilled straight through the door. Then drill the full-size hole required for your viewer.

4. Insert the Viewer

Insert the front section of the viewer from the outside of the door and the barrel/back section from the inside. Thread them together by hand and tighten until secure.

