

SHIP / INFINITIVE STANDARD



NOVELLINI



INSTALLATION MANUAL



READ THE INSTRUCTIONS CAREFULLY



INTRODUCTION:

Installation of the bathtubs must be carried out by personnel who are able to demonstrate to the relevant authorities a degree of awareness and competence regarding the application of national regulatory requirements relating to safety, i.e. electricity and water supply/disposal.

The manufacturer provides training for service technicians and we therefore recommend that installation be carried out by one of the manufacturer's technical support centres.



Whenever the indicated symbol is seen in this manual, it corresponds to important instructions or to the safety of the item.

IMPORTANT!

Please read all instructions carefully before installing the item.



Check that all components for assembly are in the packaging and that they are not visibly defective.

Installation must be carried out in such a way that all elements requiring maintenance (e.g. DRAIN, SIPHON, etc.) are accessible following installation.

Installation must be carried out on finished floors and walls.

In the event of a complaint, submit the invoice/receipt together with the installation instruction booklet.

The images and drawings shown in the manual are for illustrative purposes only. The manufacturer reserves the right to make any changes or modifications.

CAUTION:



- Observe all plumbing and construction requirements in accordance with local regulations.
- SHIP and INFINITIVE are bathtubs for bathrooms and must be used exclusively for this purpose. Improper use of bathtubs exempts NOVELLINI SPA from any liability and renders any form of warranty null and void.
- Unpack and inspect the bathtub for any damage. Reposition the



READ THE INSTRUCTIONS CAREFULLY



tub onto the pallet and cover it with cardboard until installation is required.

- Before installation, check for accessibility of the final plumbing fittings.
- The tub must be moved by at least 4 persons.
- Do not install the tap at the level of the overflow.
- Any taps installed on the edge of the bathtub may not be used as a support or stand as they are not designed for this purpose.
- The bath tub cannot be modified or dismantled, even partially. Drilling holes or other types of interventions are not permitted.



WARNING

- This bathtub must not be used independently by people with reduced motor, sensory and/or cognitive abilities (including children), or by those who do not have the required knowledge regarding its use. Ensure that children are supervised by persons responsible for their safety if they use the bathtub.
- NOVELLINI SPA bathtubs are designed for domestic or similar use and must only be installed and used indoors at room temperature.
- Use or proximity of electrical equipment (radios, hair dryers etc.) pose a hazard when using the bathtub.
- Pay special care when using the bathtub when alone. Immersion in hot water for extended periods may cause nausea, dizziness or fainting.
- Use of the bathtub after taking medication, or any other substance that may induce drowsiness or alter blood pressure, is not advisable.
- It should be borne in mind that a slight drop in blood pressure usually occurs because of the effects of vasodilation brought about by high water temperatures.
- Water temperature must never exceed 45°C. It is always good practice to run mixed water into the bathtub, avoiding the use of boiling water first and then cold. Recall that the highest degrees of relaxation are obtained with a temperature that is between 36 and 37°C.
- Baths should never last longer than 20/30min, keeping in mind that times should be reduced for higher water temperatures (approx. 15/20min at 36/37°).
- Bathtub surfaces become more slippery when wet. Be aware that this occurs especially when soaps, shampoos, bath oils, etc. are used.



READ THE INSTRUCTIONS CAREFULLY



- The use of aggressive chemicals such as acetone, trichlor, strong acids (muriatic acid etc.) and strong bases (caustic soda etc.), industrial detergents, or solvents used in the painting industry are NOT recommended for cleaning. Refer to the Maintenance and Cleaning section in this manual for further information.
- DO NOT use metal scrapers, iron brushes, or other metal household utensils to remove stains, paint, filler, or other.
- Certain substances such as ink, cosmetics and dyes may stain the material if they are in prolonged contact with the surface of the bathtub. A similar phenomenon may occur with lit cigarettes.



Data Sheet

Mod.	A	B	C	D	kg	lt
Ship 150	1500 mm	1280 mm	900 mm	1650 mm	105	260
Ship 160	1600mm	1380 mm	950 mm	1750 mm	115	290
Infinitive	-	-	-	-	135	360

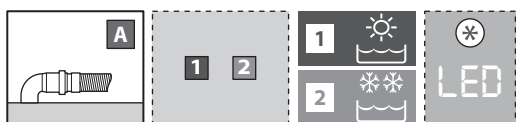
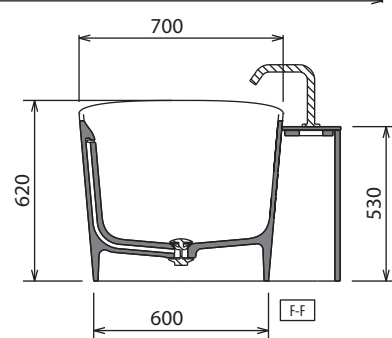
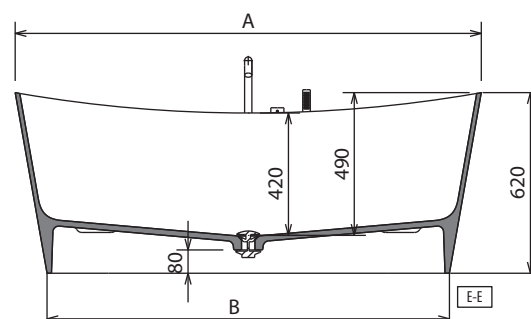
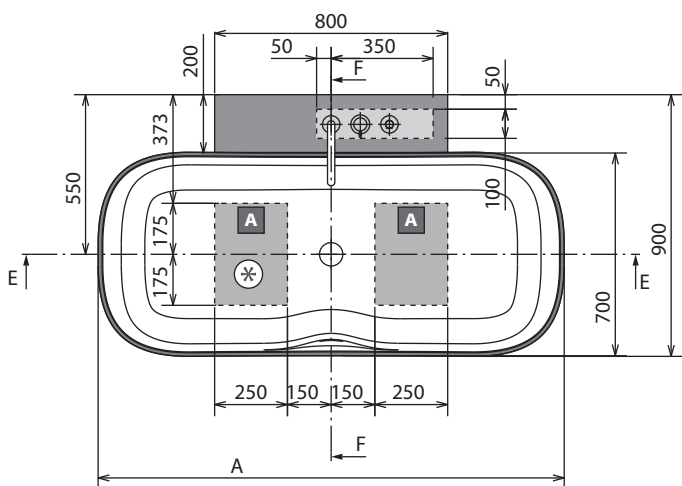
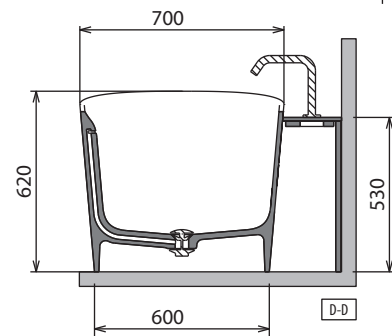
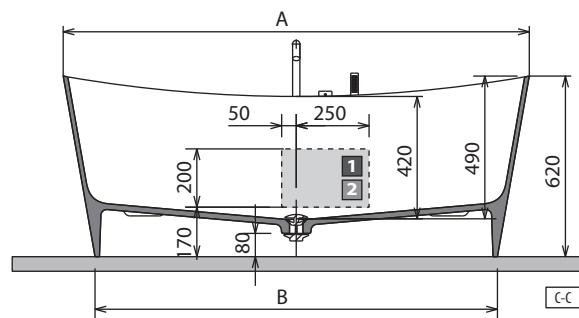
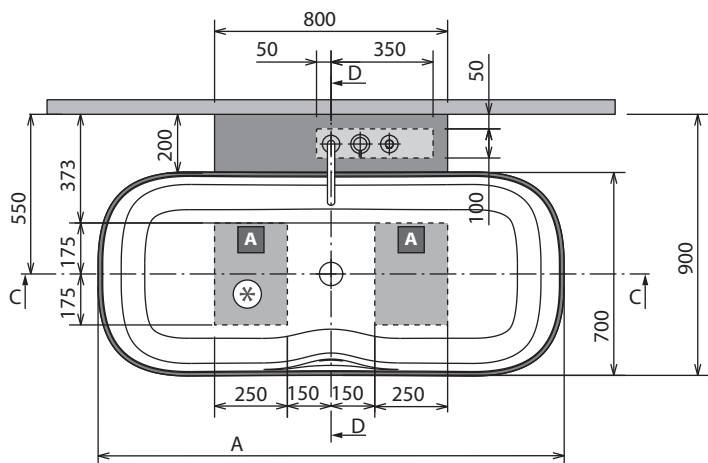
EN WARNINGS

- sizes are in mm
- the sizes indicated may have tolerances of ± 15 mm
- drawings shown are not to scale
- sizes, functional and technical modifications may be made at any time without prior notification.

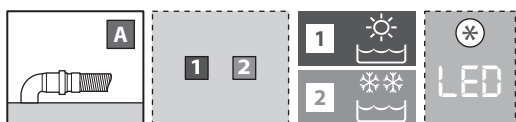
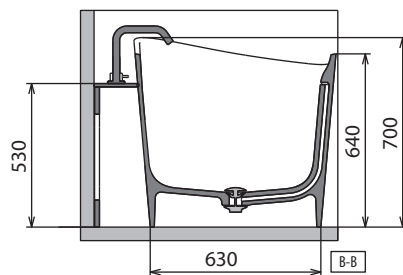
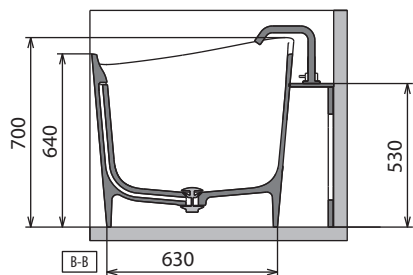
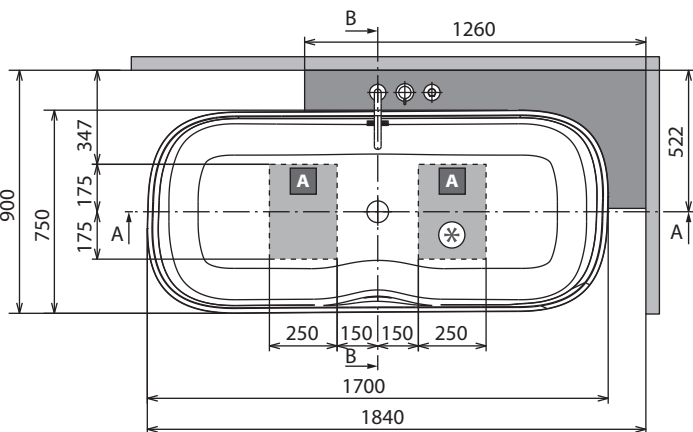
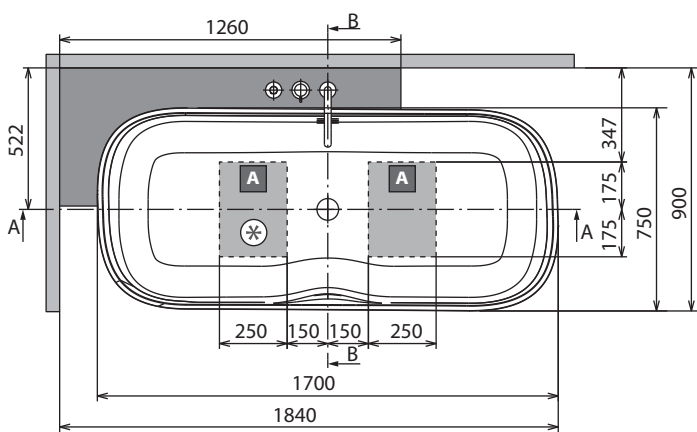
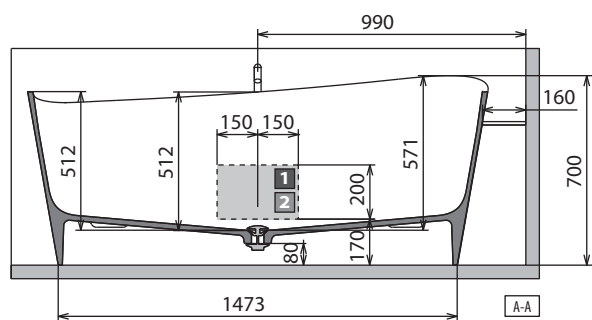
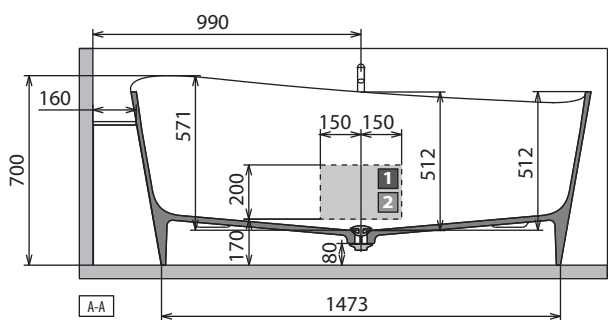
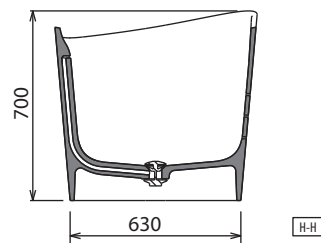
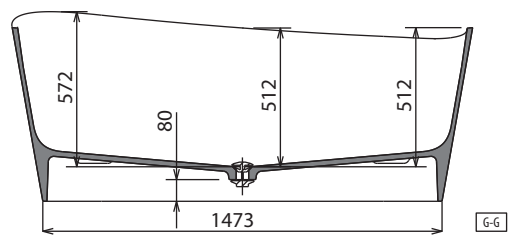
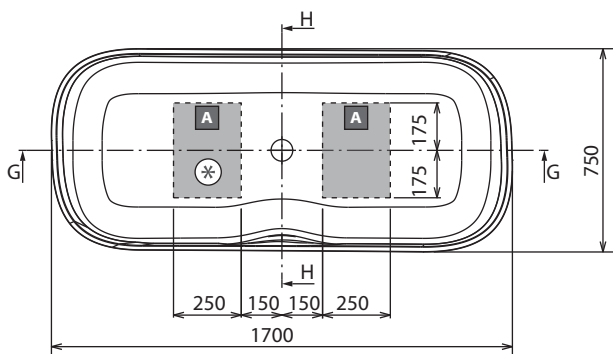


EN HYDRAULIC SPECIFICATIONS Trap with 40 mm fitting

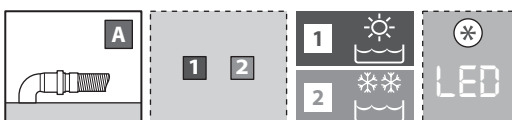
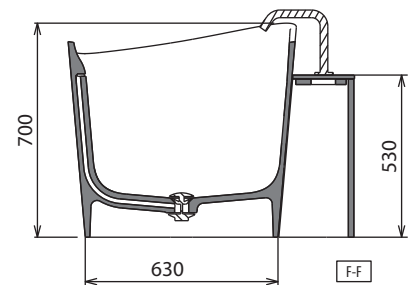
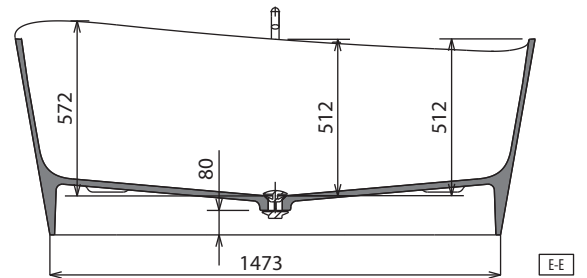
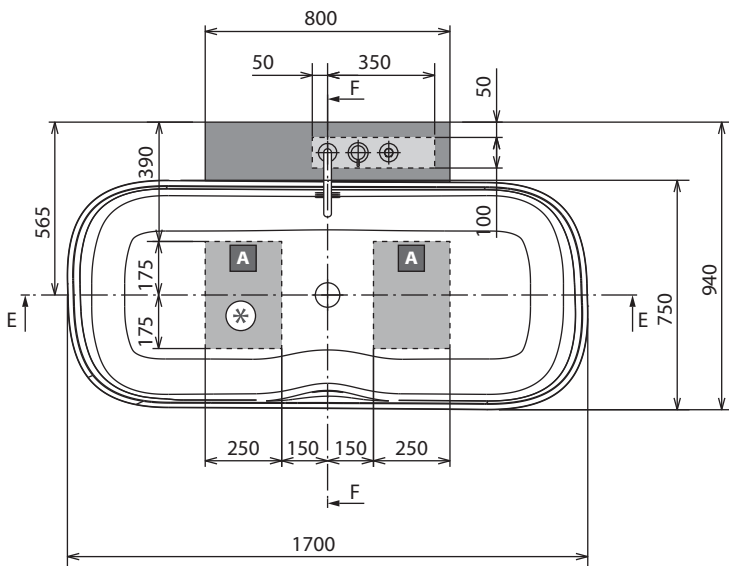
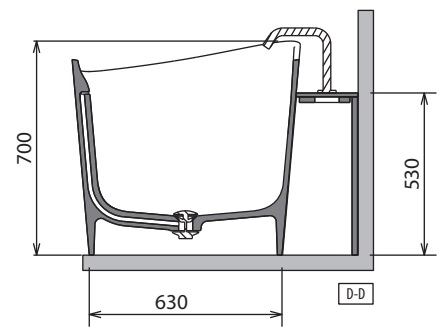
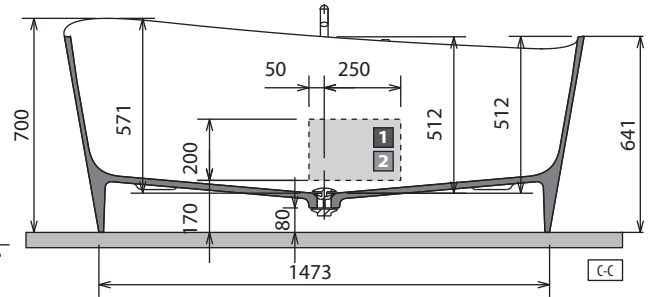
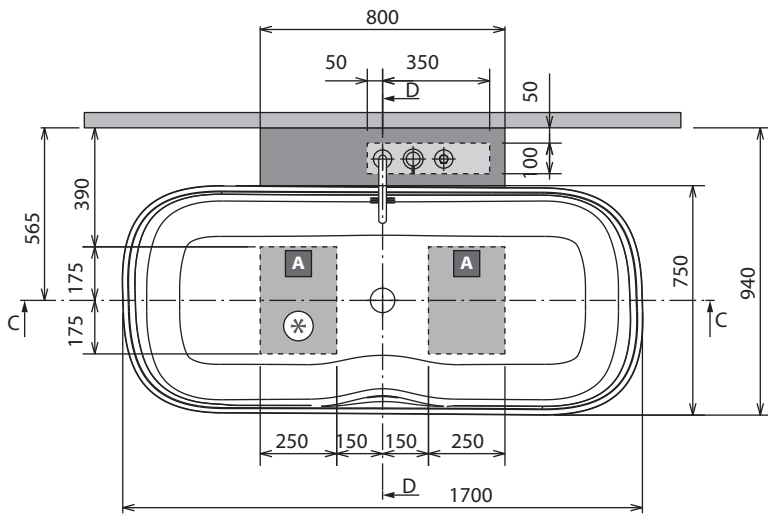
SHIP

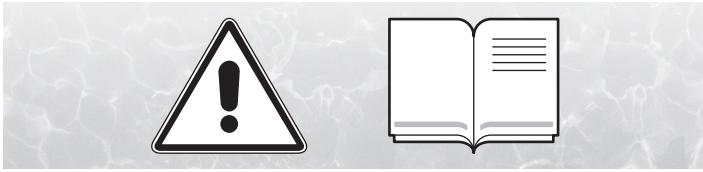


INFINITIVE



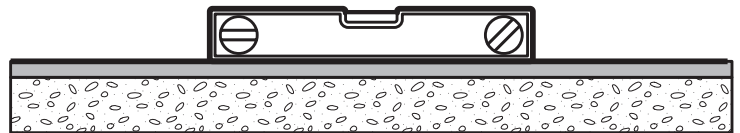
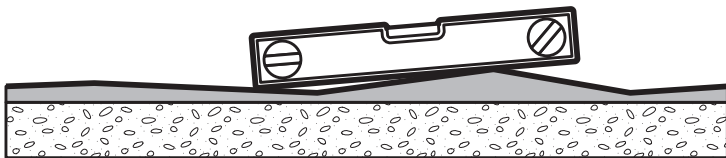
INFINITIVE



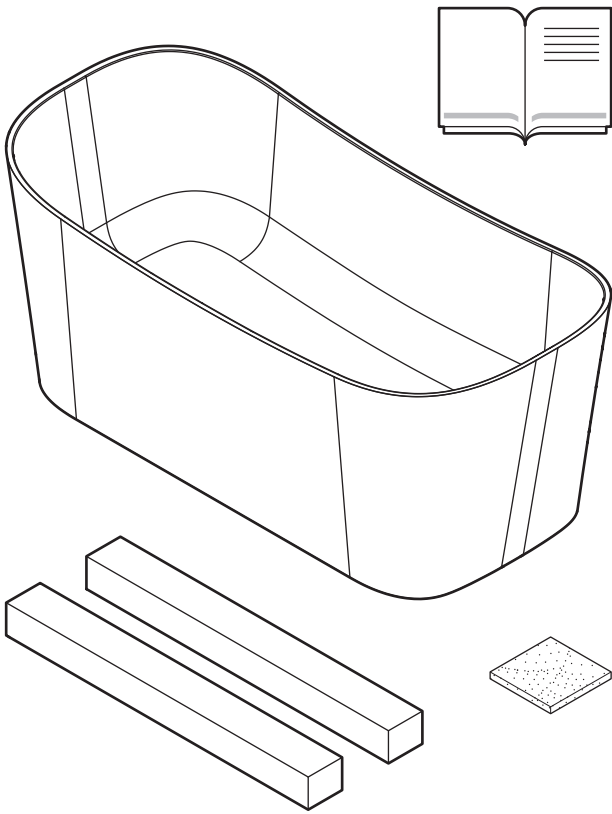


INSTALLATION NOTES:

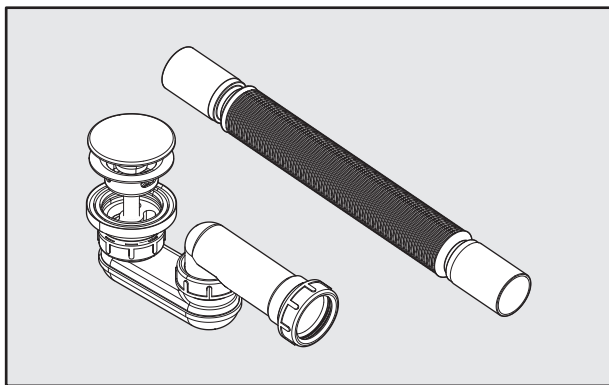
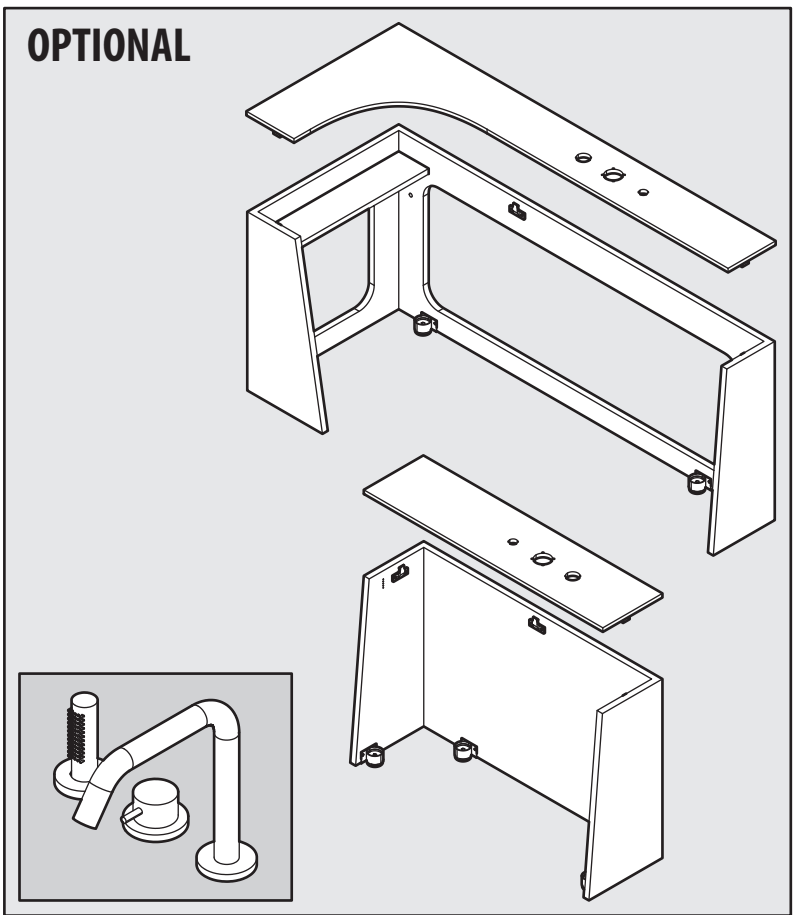
- Ensure that the floor and platform, if any, are adequate to support the weight of the product.
- Check that the floor and supporting surfaces are flat and level.
- Installation must be carried out on finished floors and walls.
- In the event of a complaint, submit the invoice/receipt together with the installation instruction booklet.
- This bathtub can be installed on floors or raised platforms.



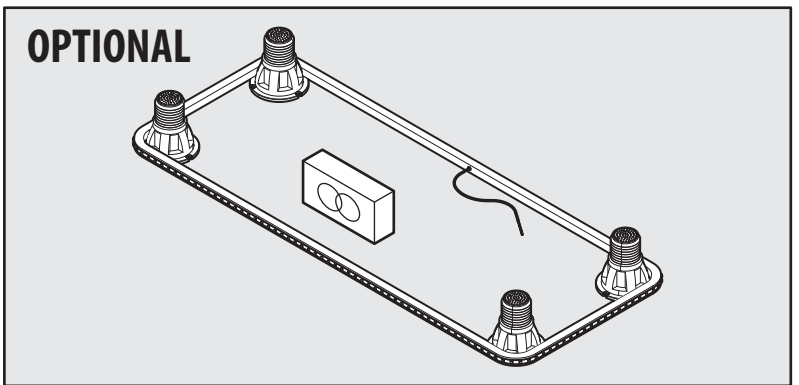
INSTRUCTIONS FOR INSTALLATION



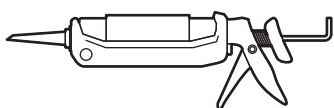
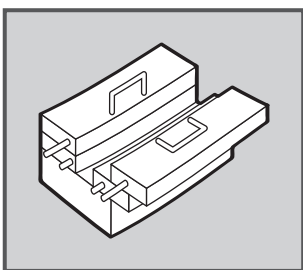
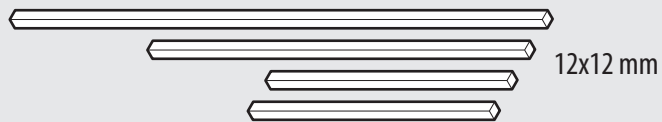
OPTIONAL



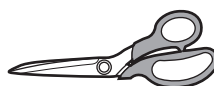
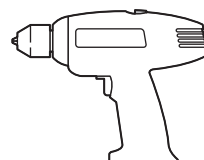
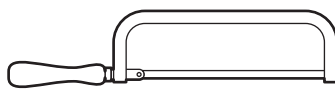
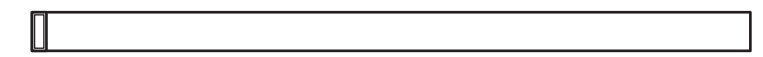
OPTIONAL

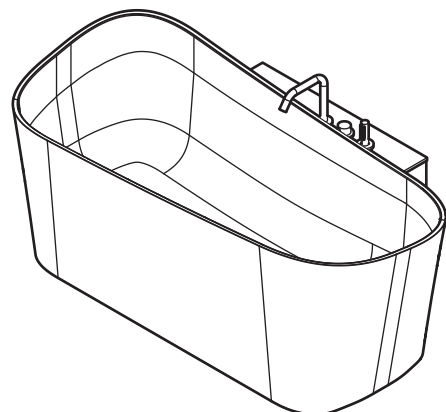
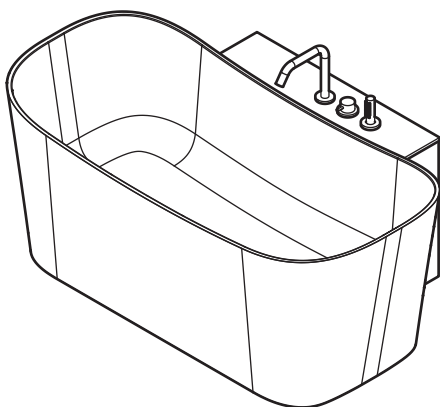
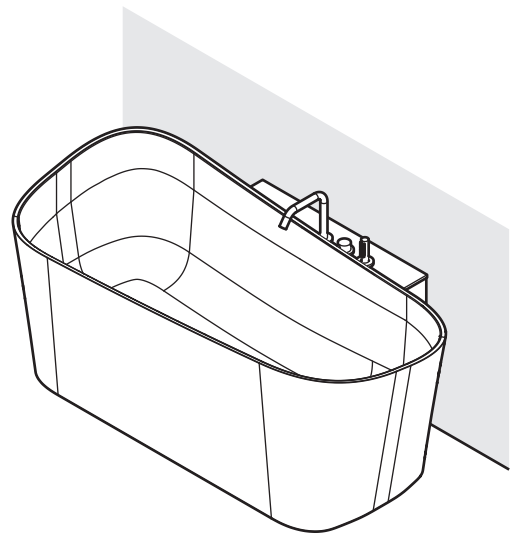
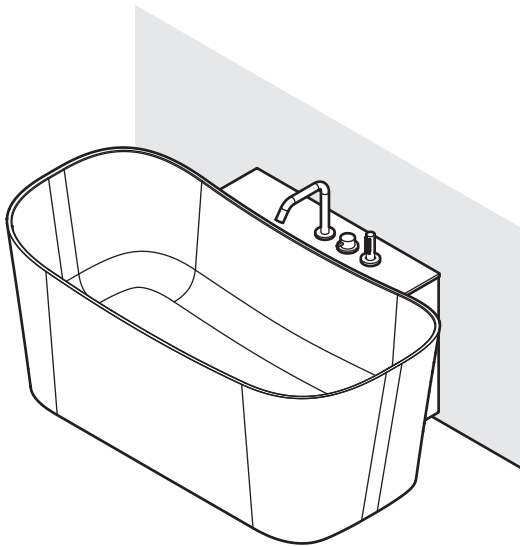
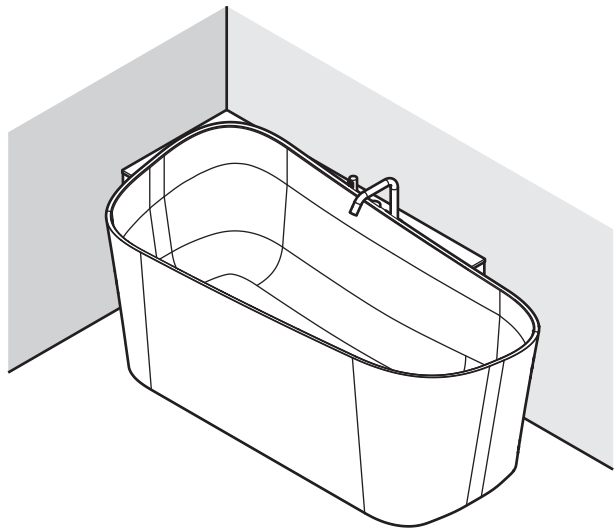
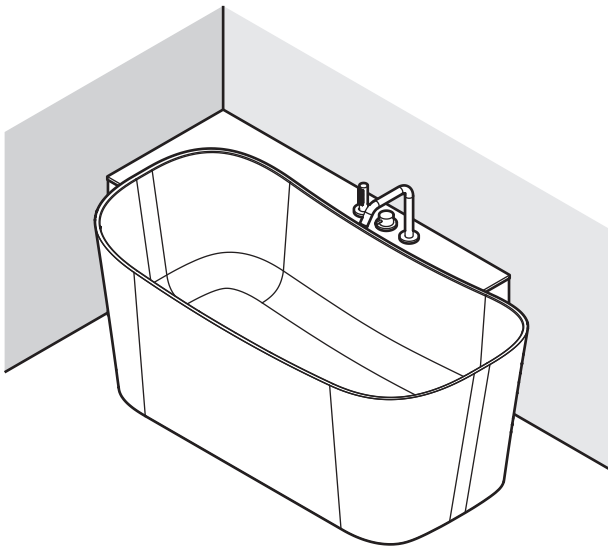


OPTIONAL

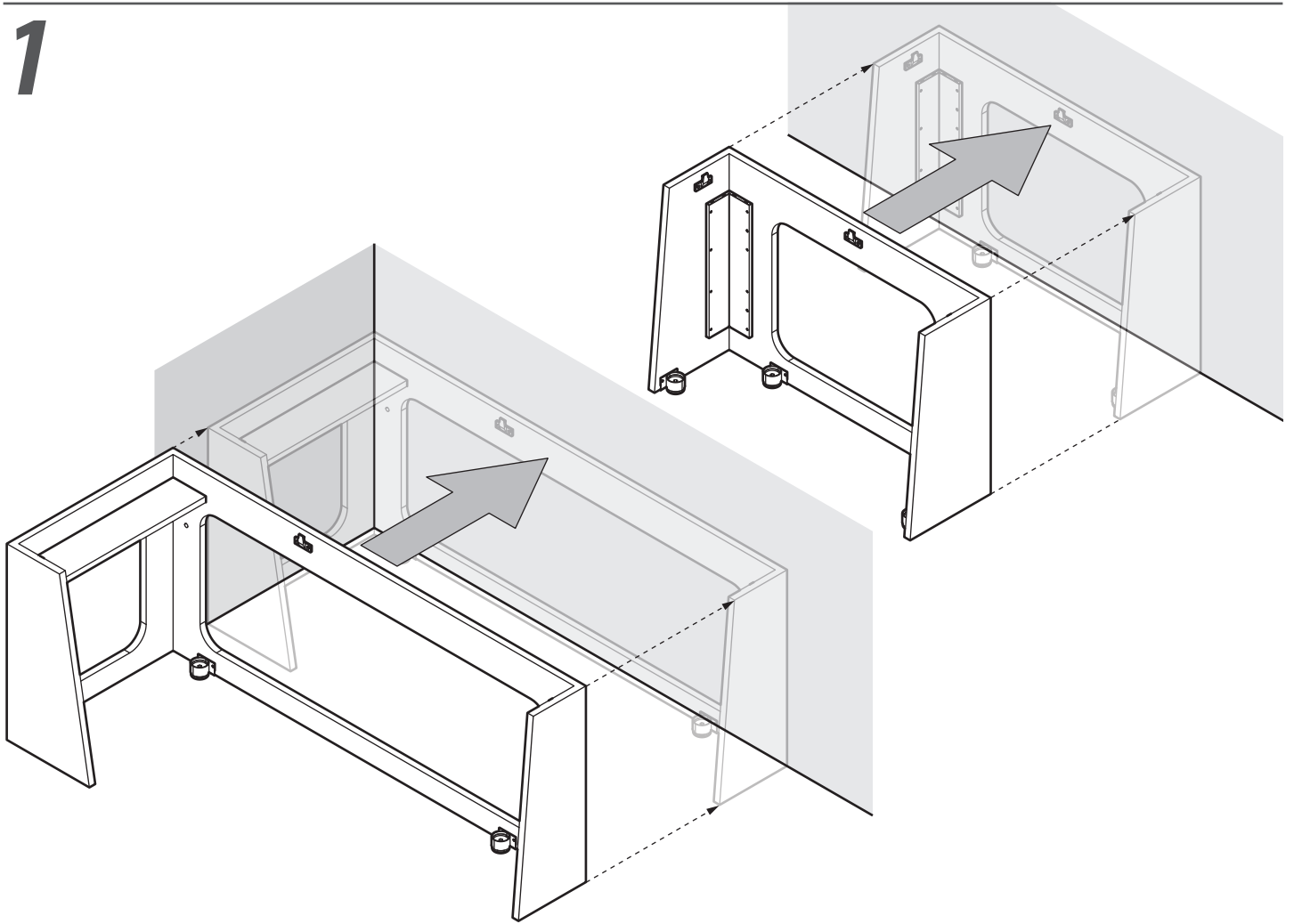


EN NON-ACETIC

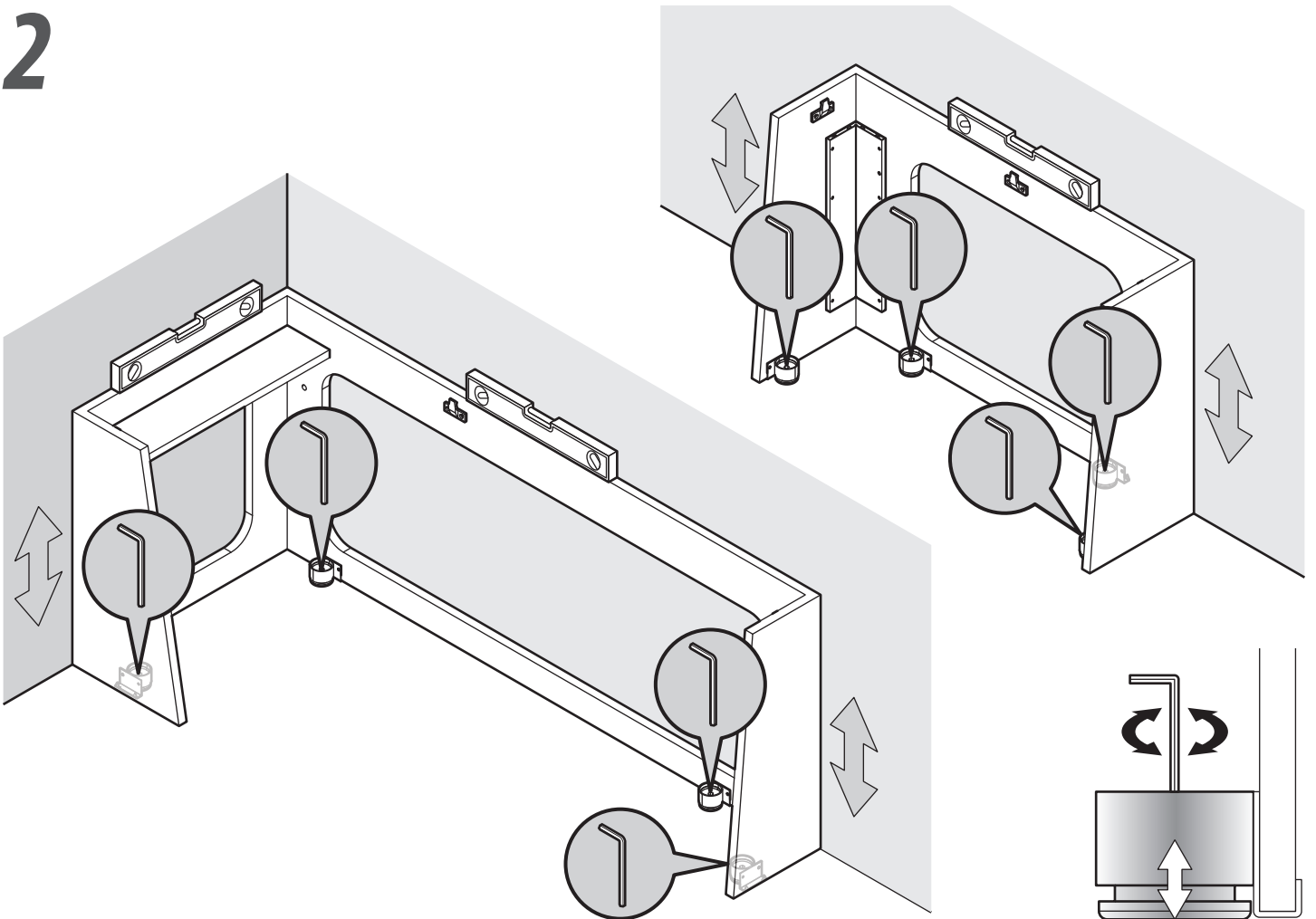




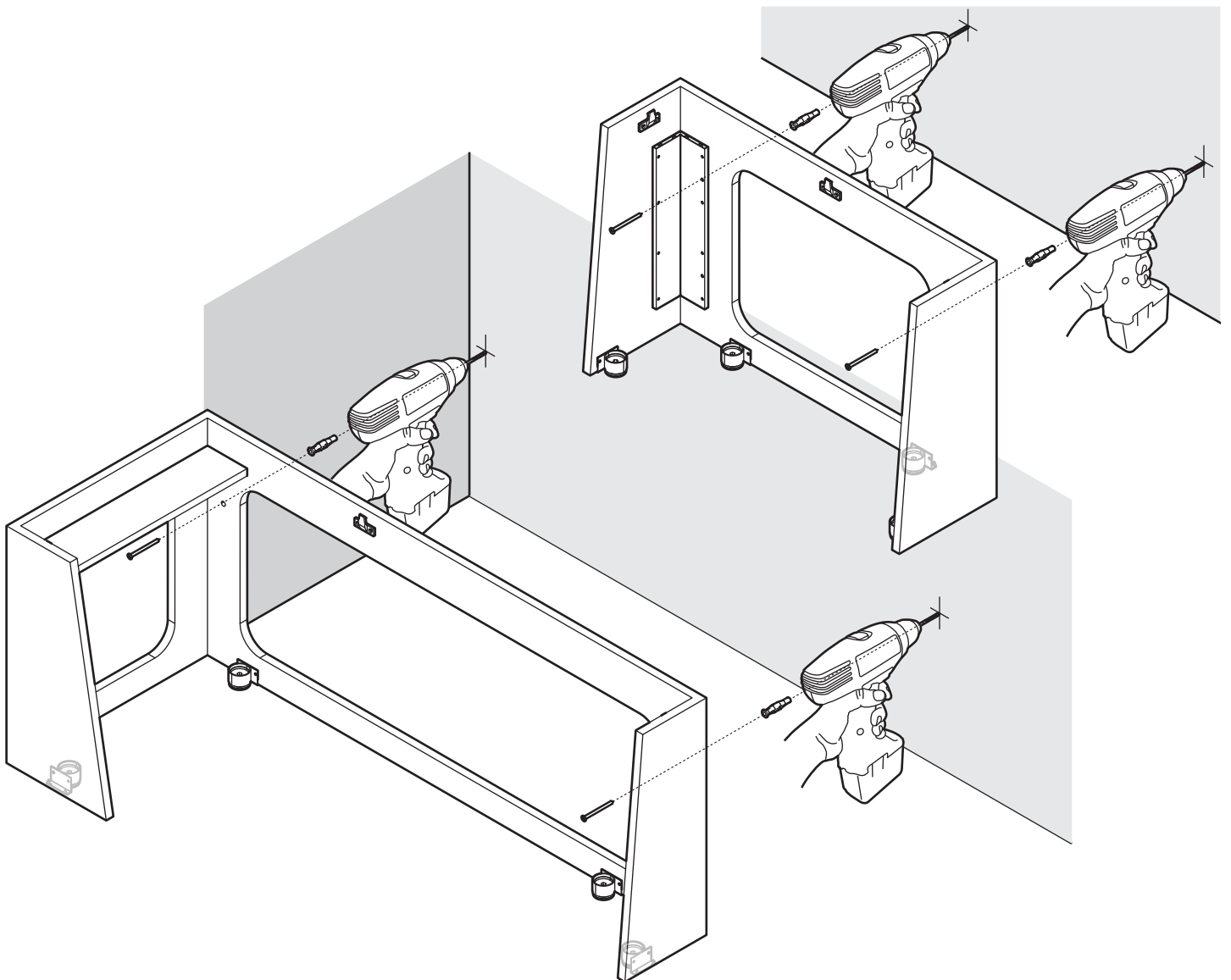
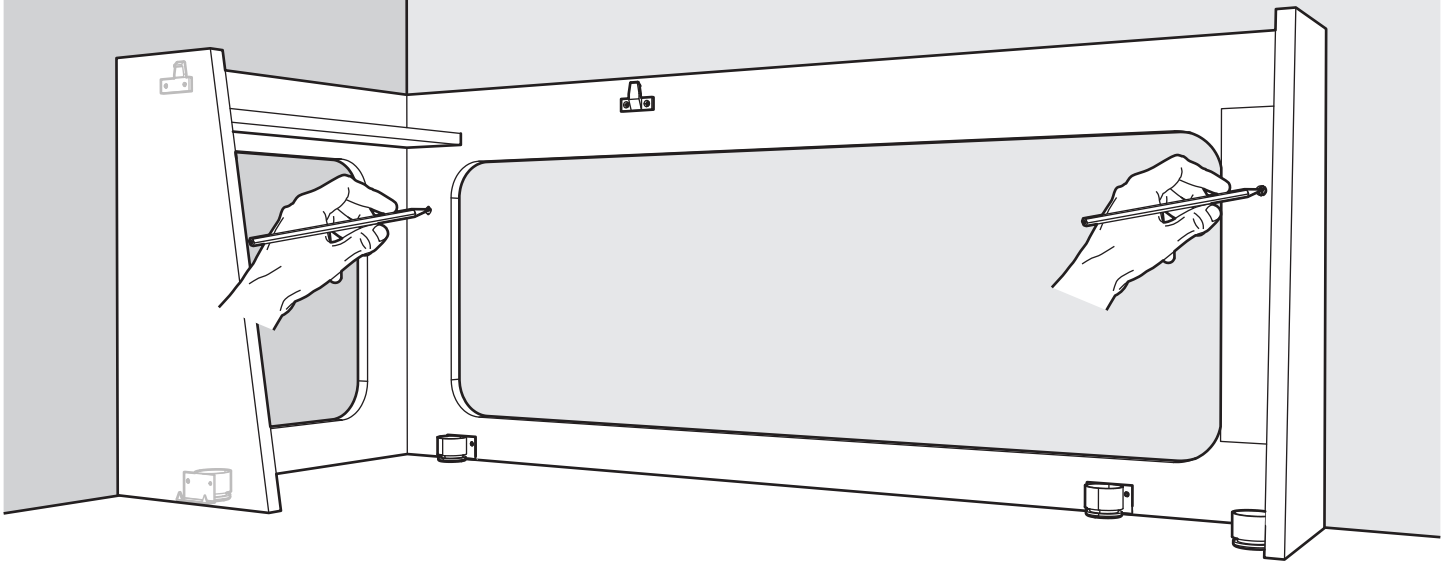
1



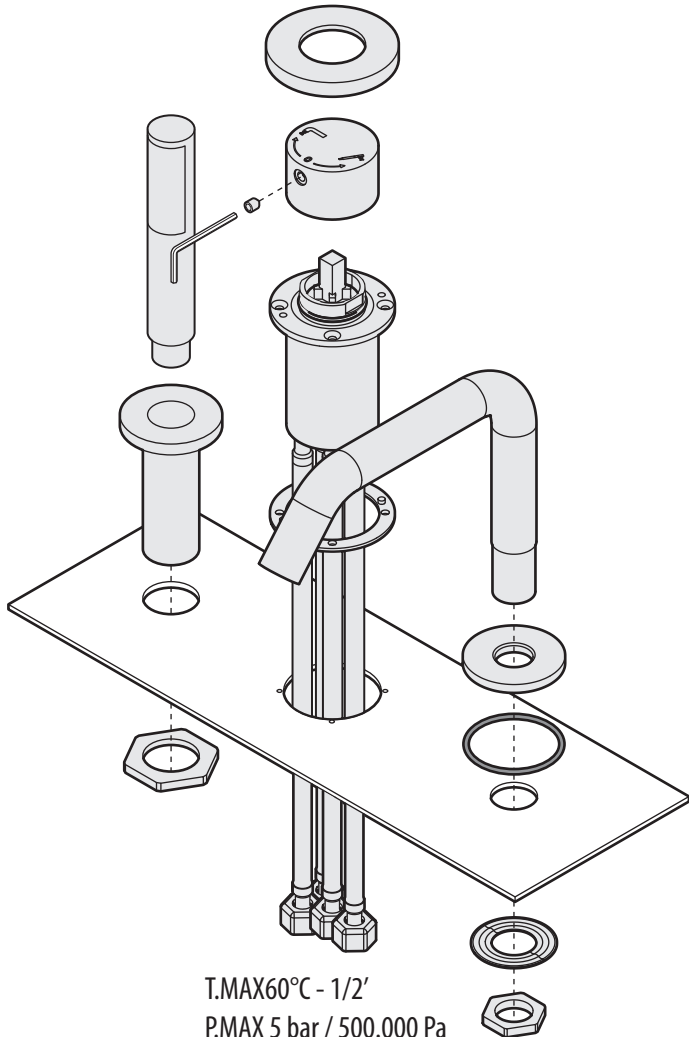
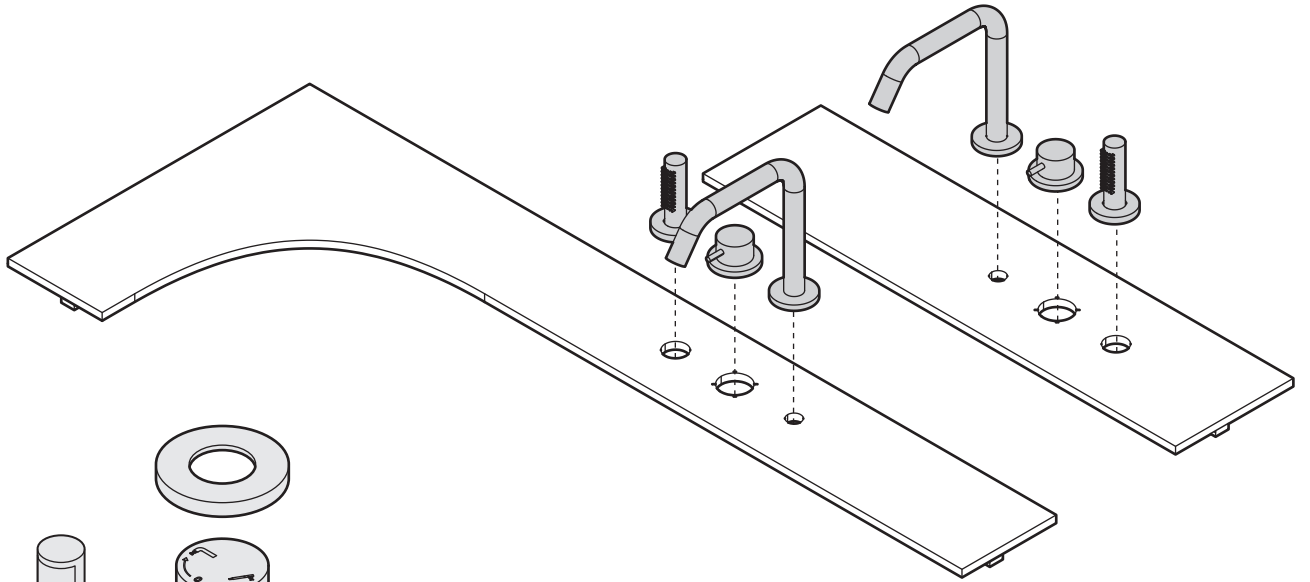
2



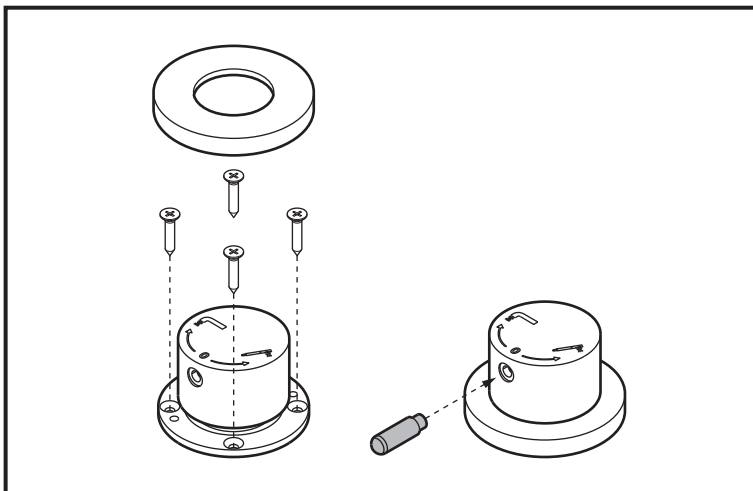
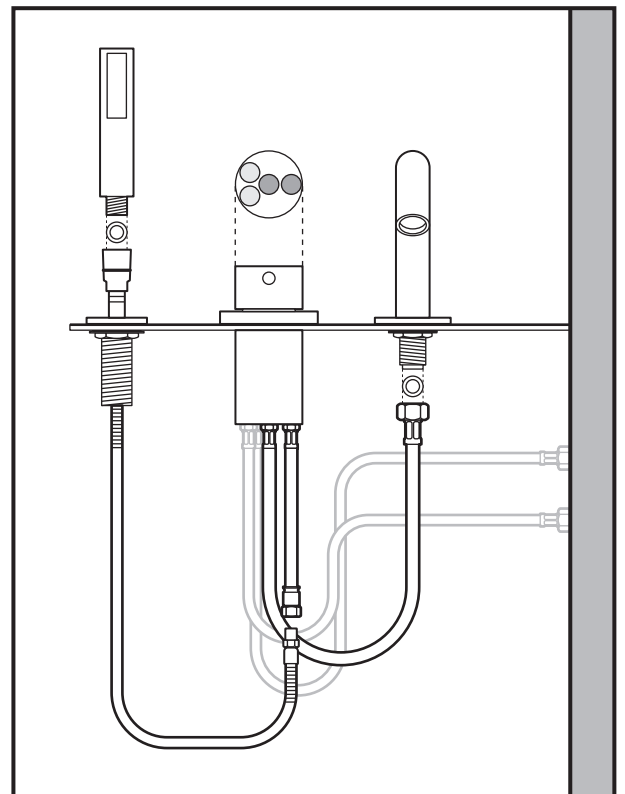
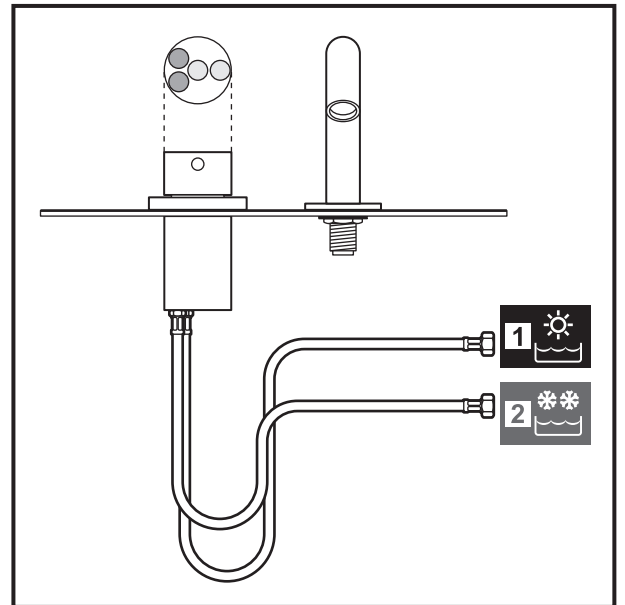
3



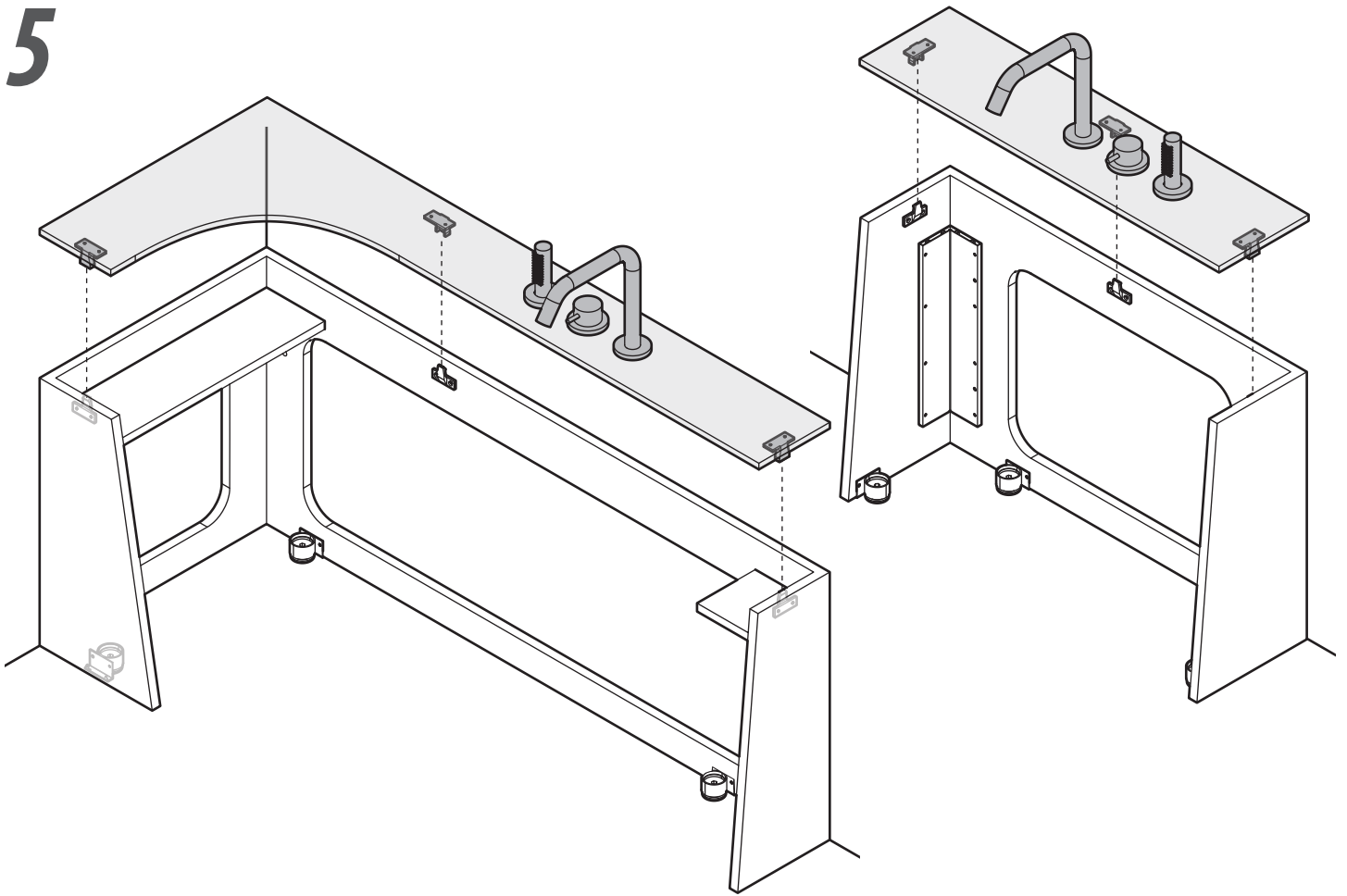
4



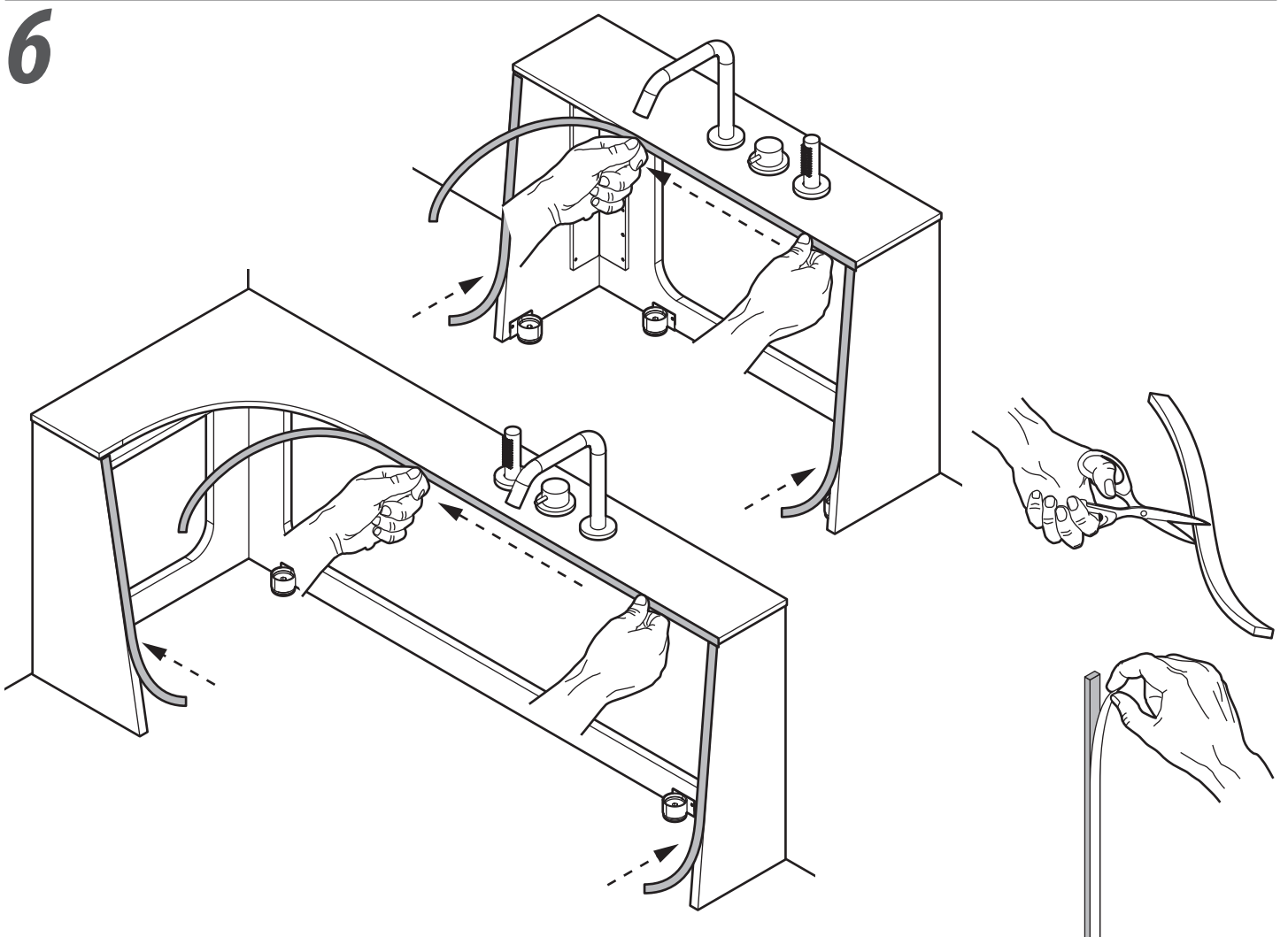
T.MAX60°C - 1/2'
P.MAX 5 bar / 500.000 Pa
P.MIN 1 bar / 100.000 Pa



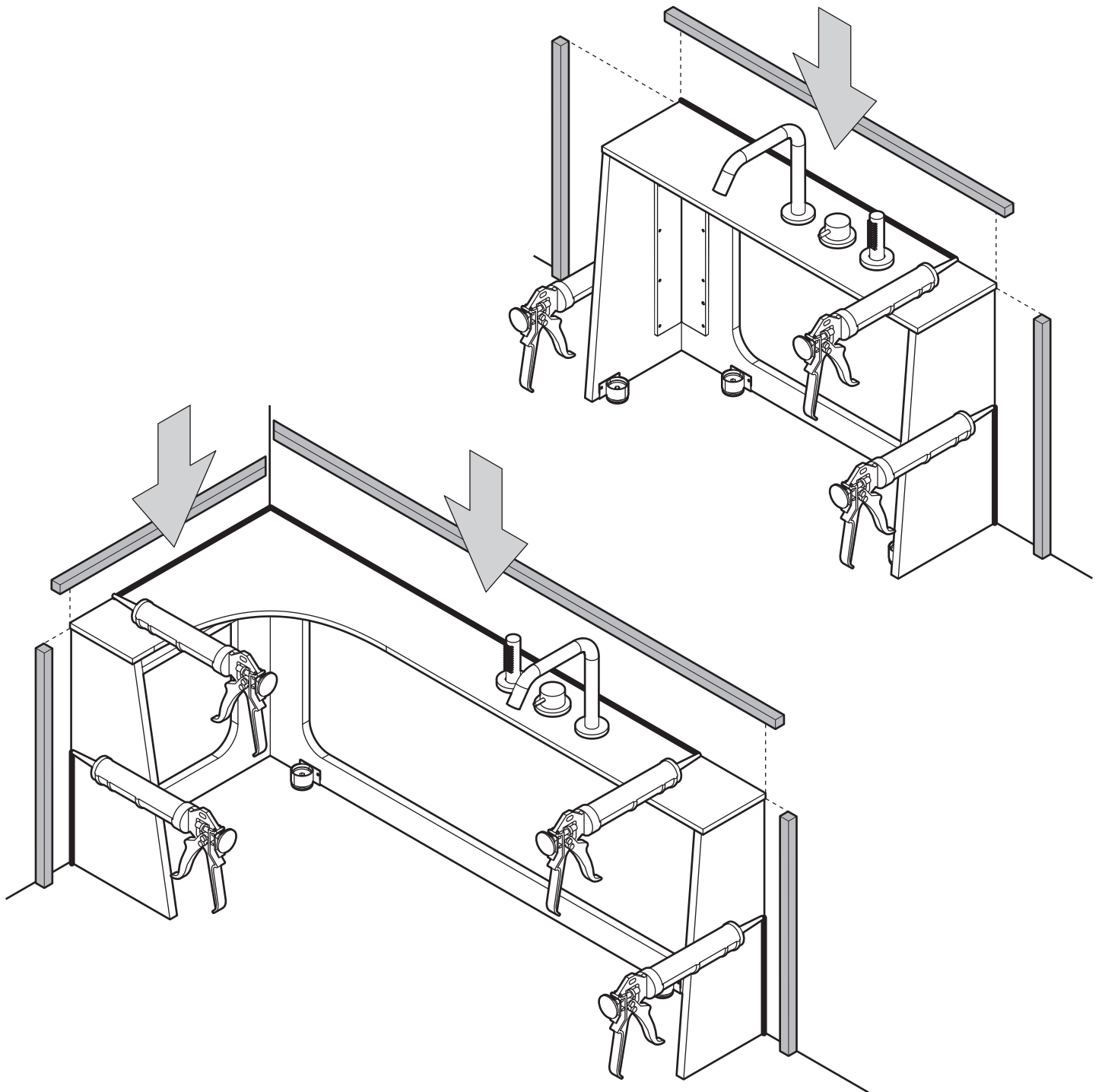
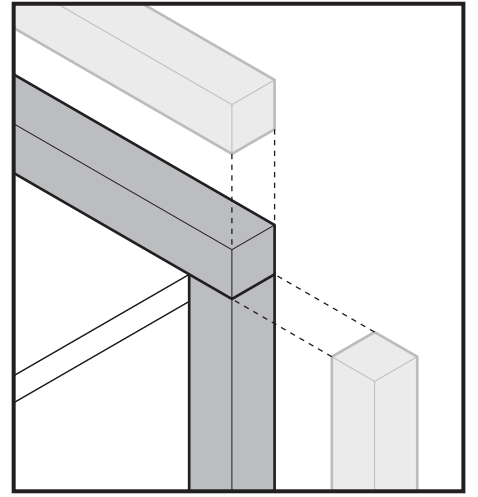
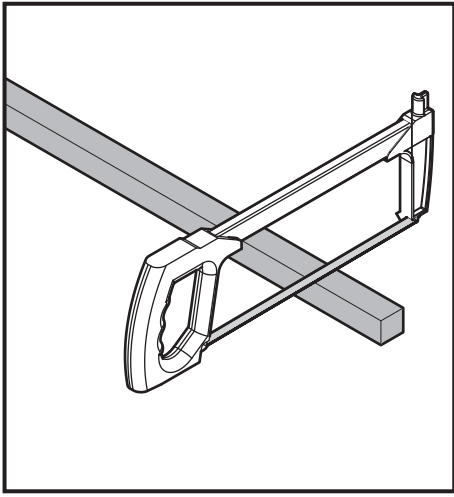
5



6



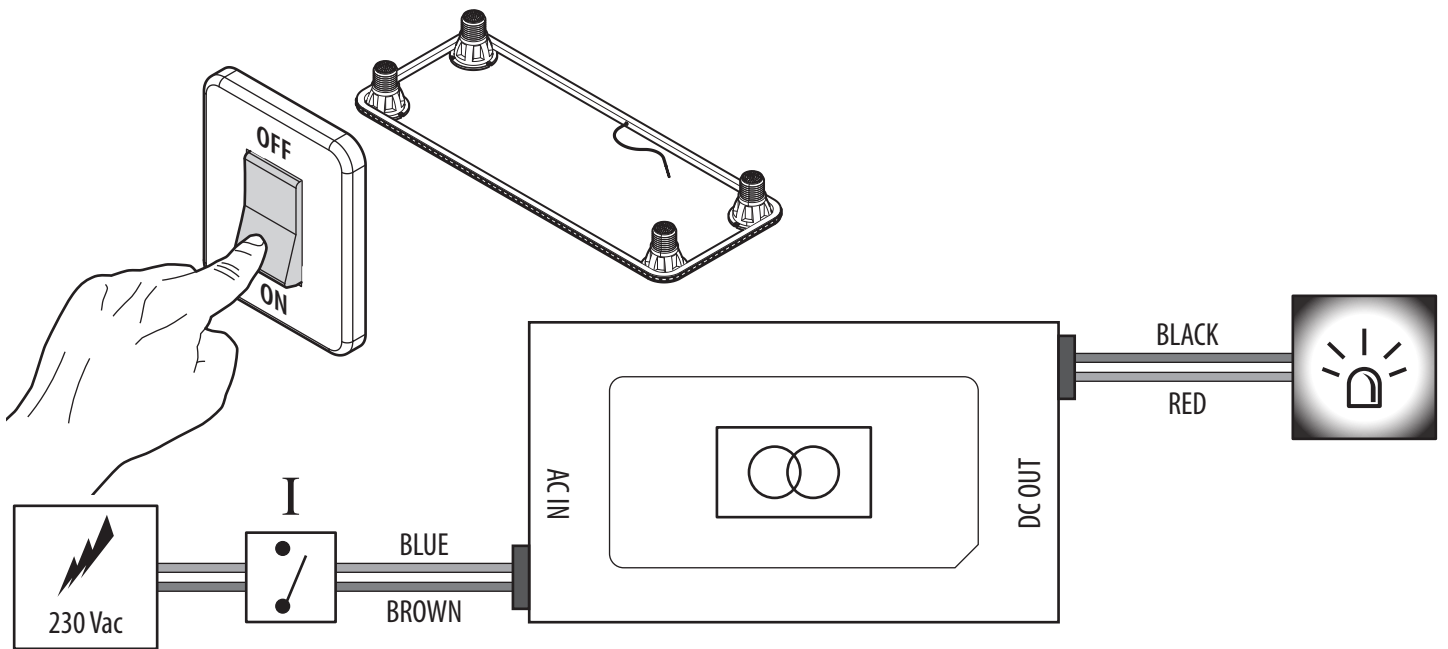
7



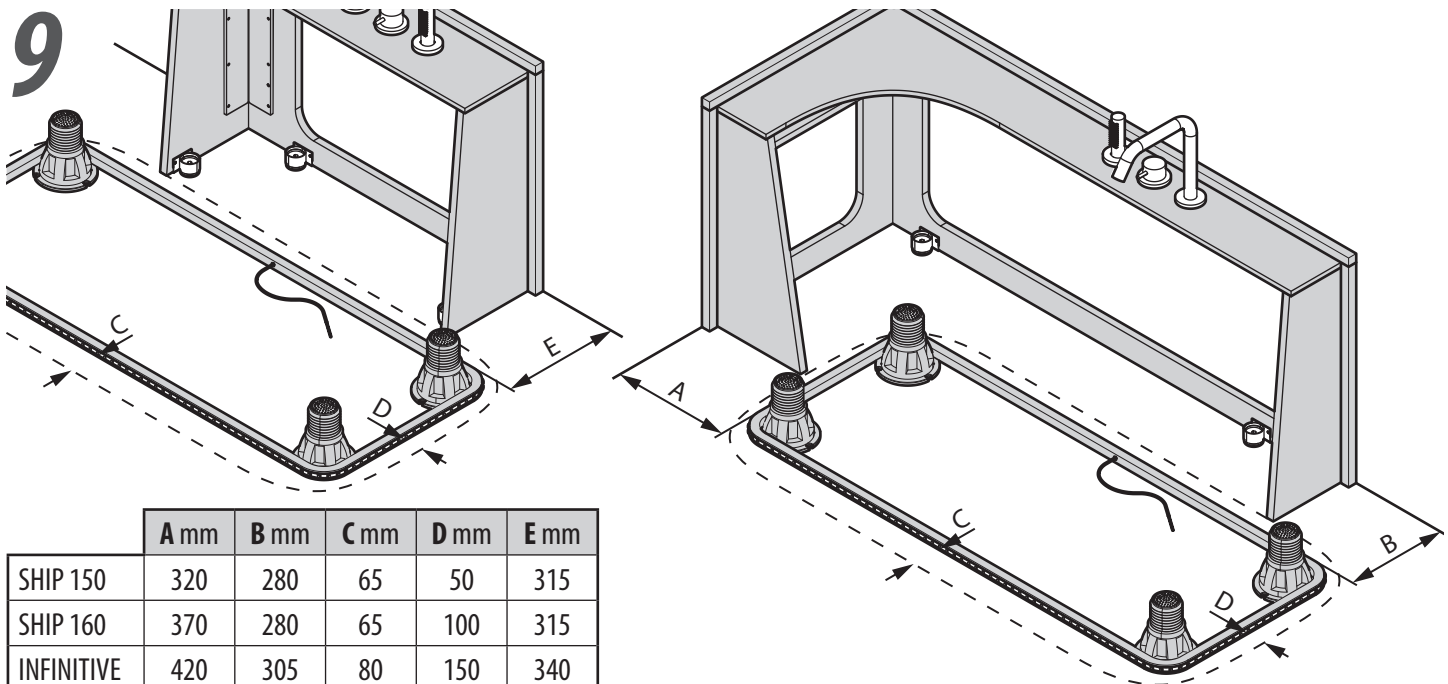
8

EN LED KIT ASSEMBLY (OPTIONAL):

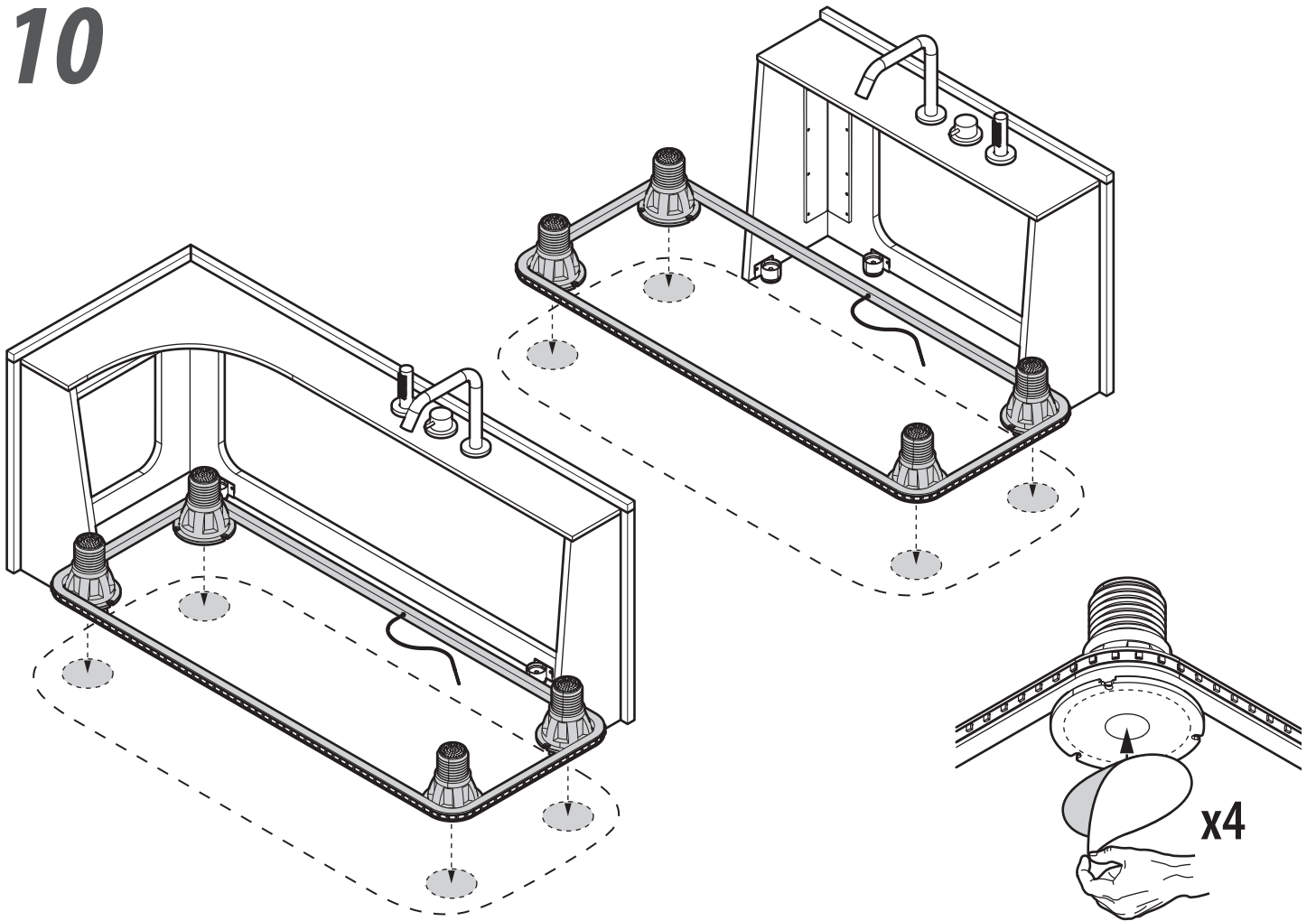
Before installing the item, ensure that the power supply connections are plugged in and that the LEDs light correctly.



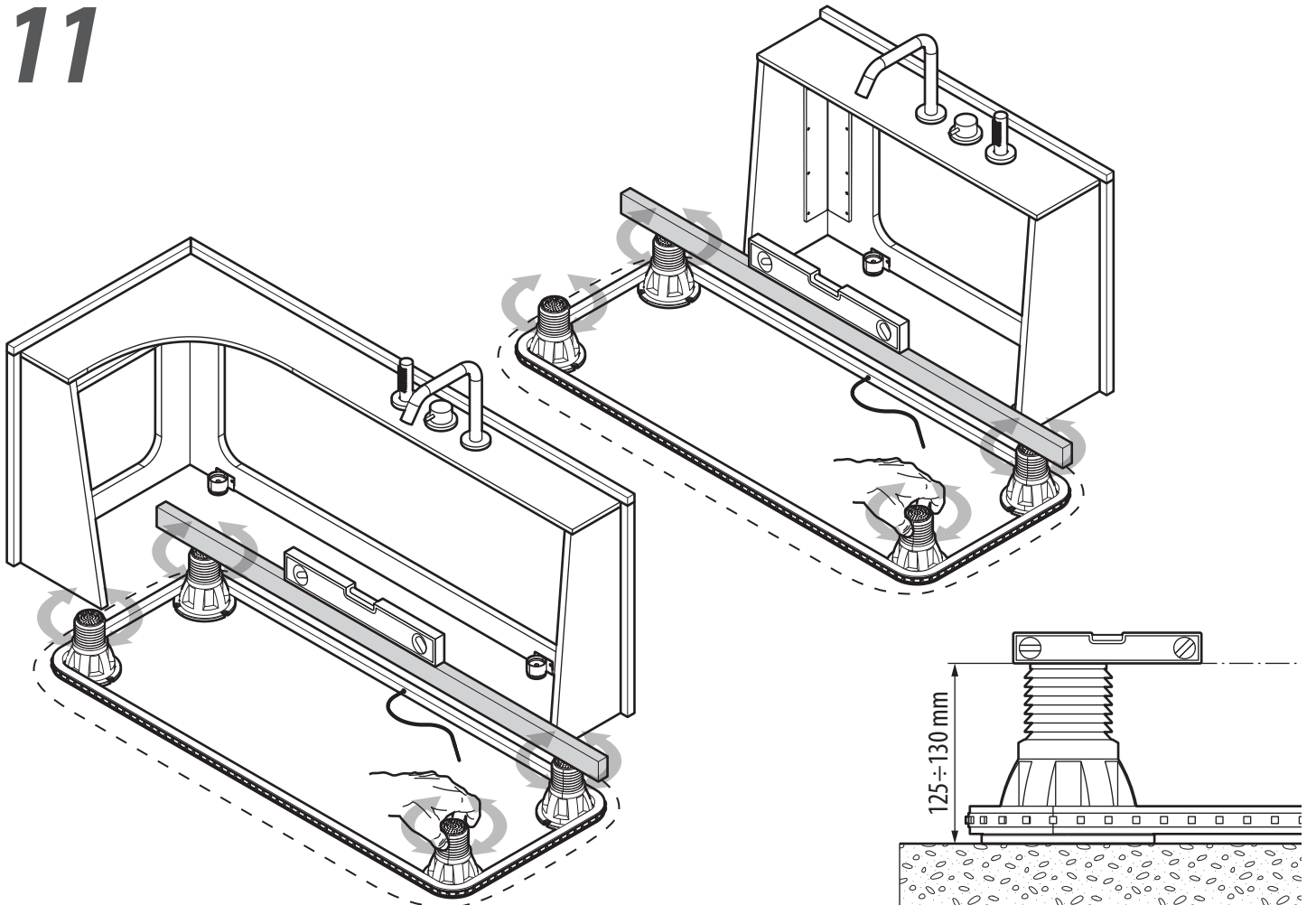
9

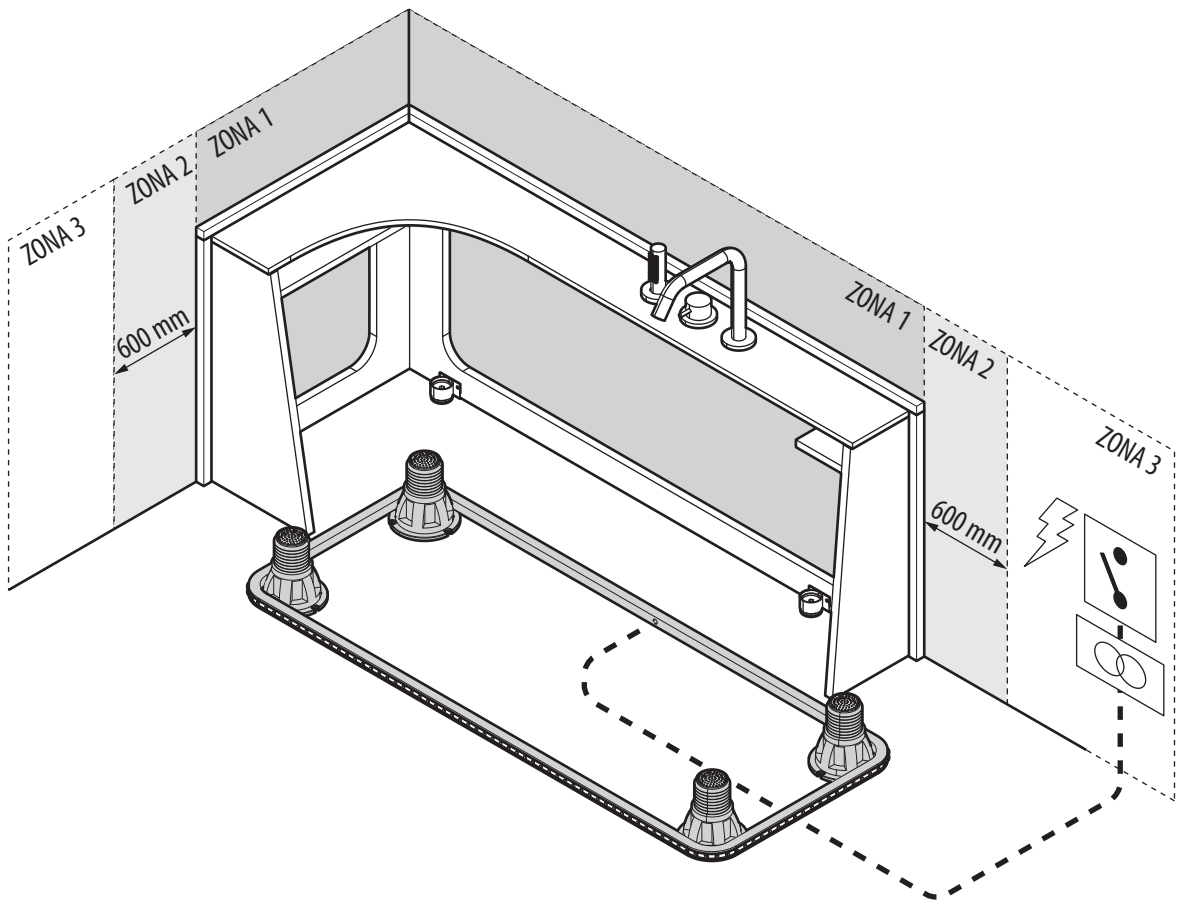


10

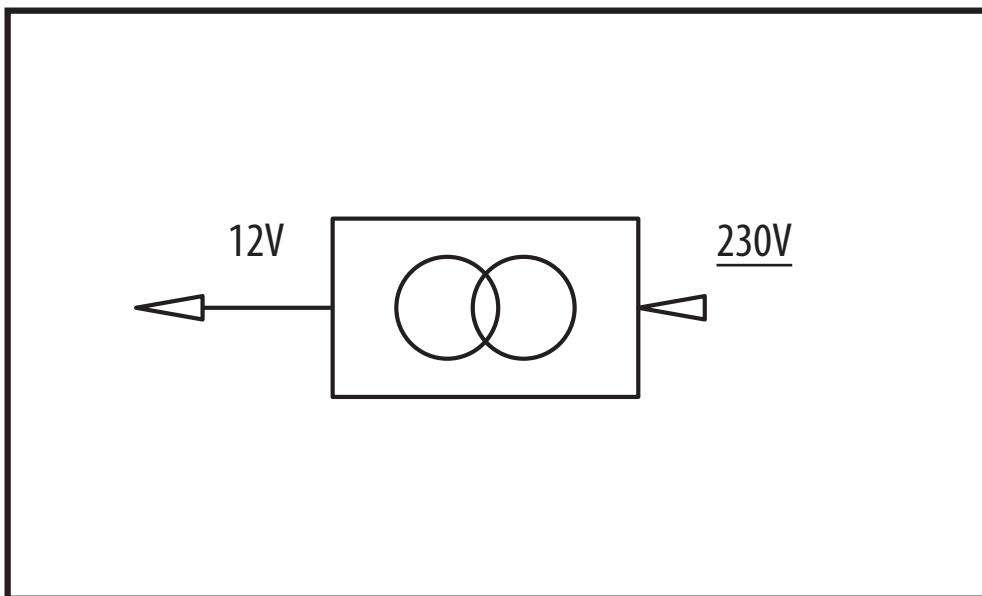


11

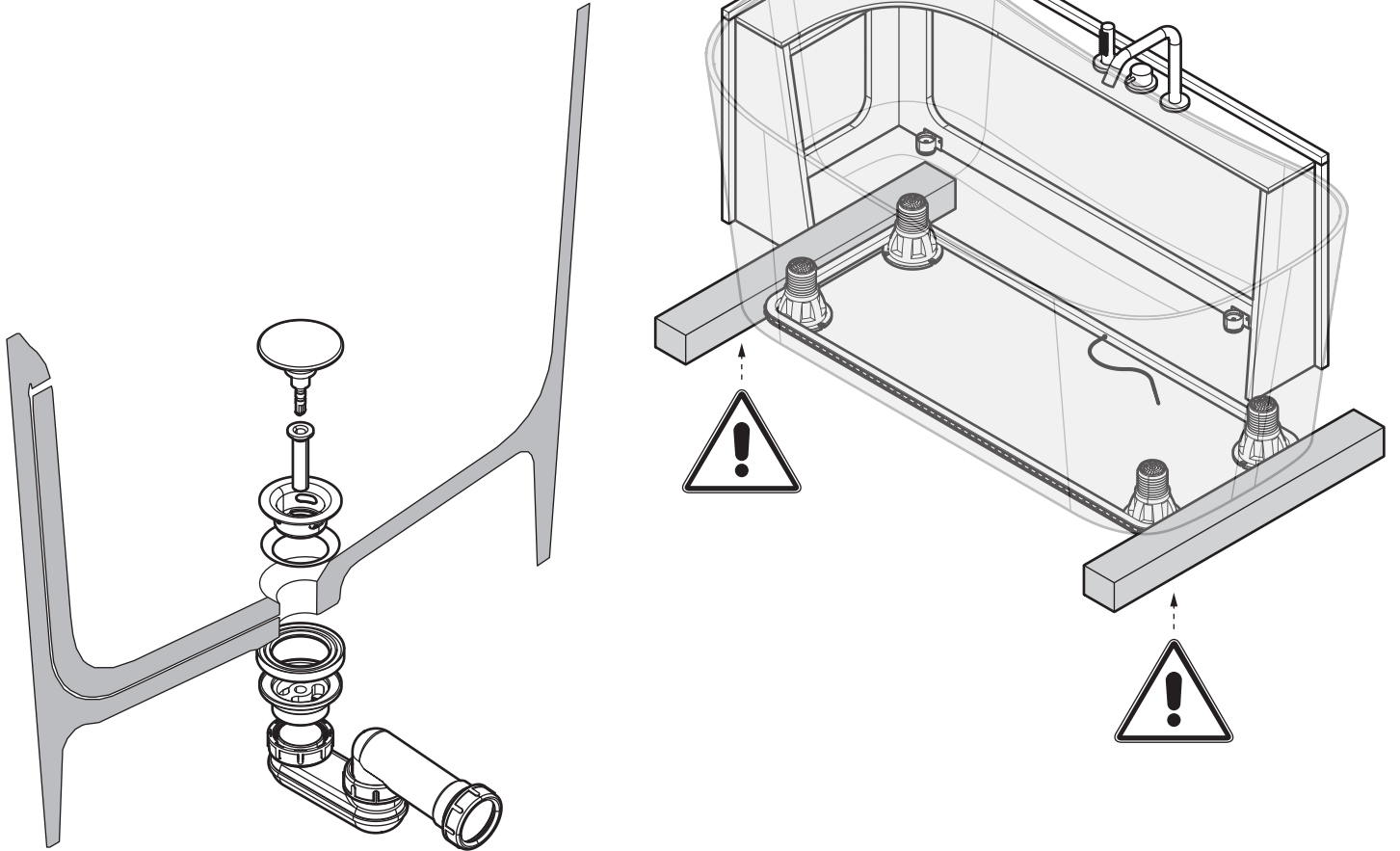




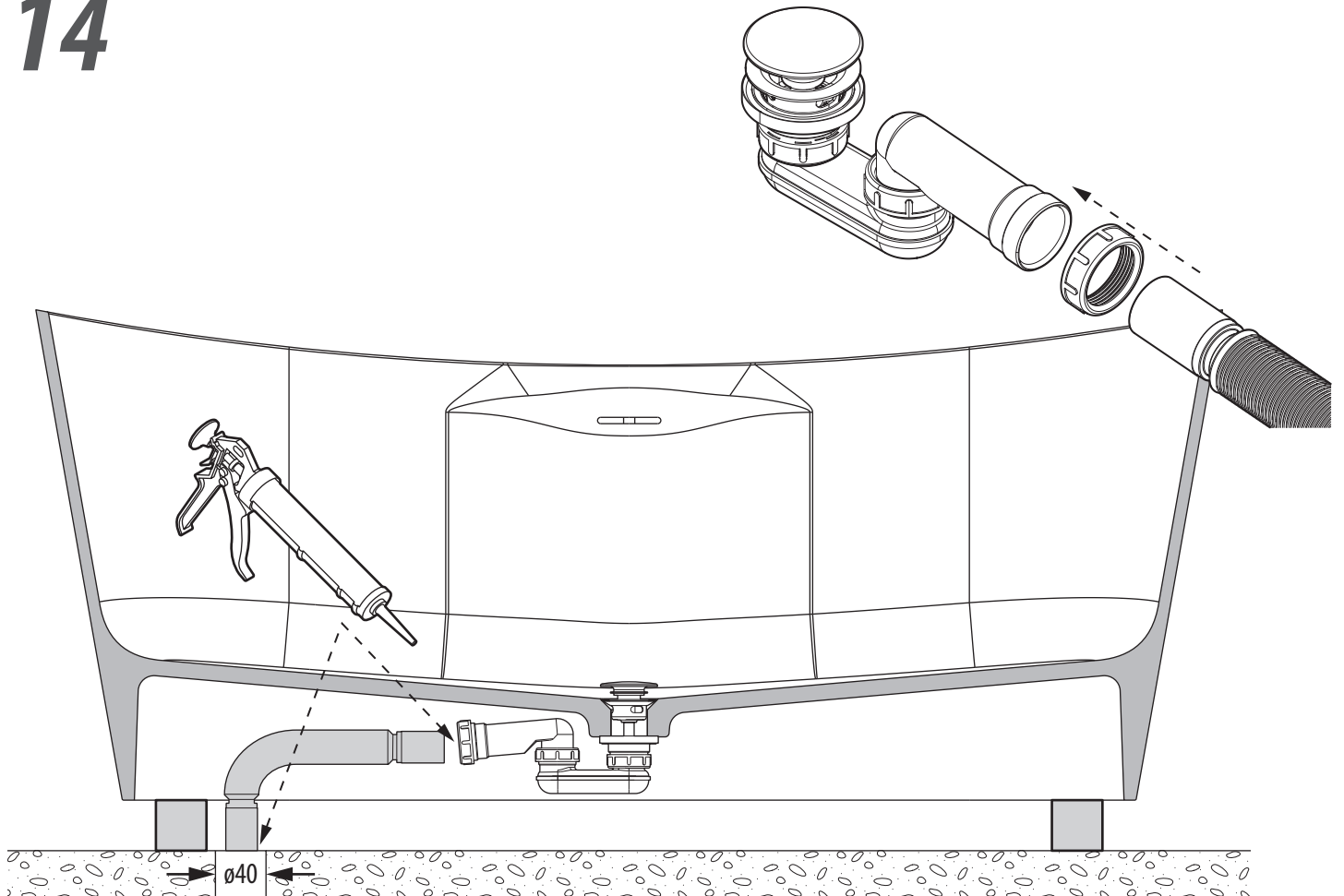
EN Installation must be carried out by qualified personnel in compliance with national regulations regarding electrical wiring.



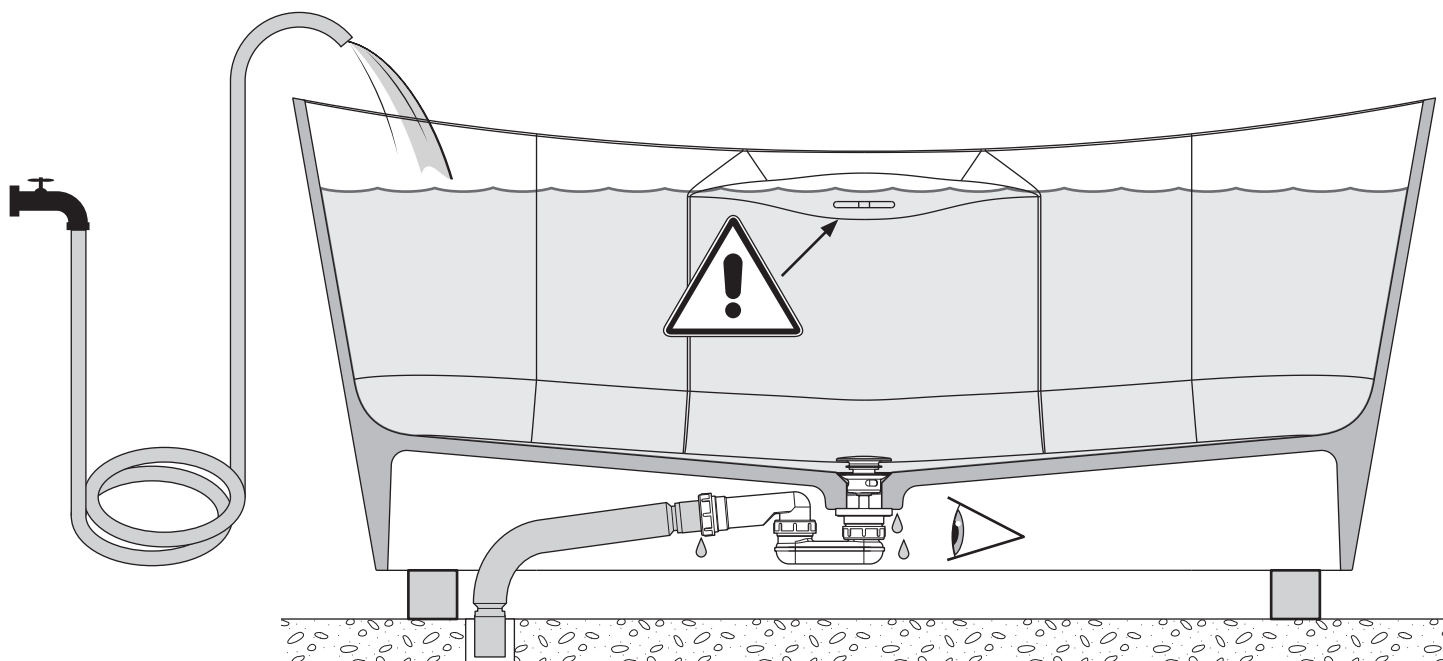
13



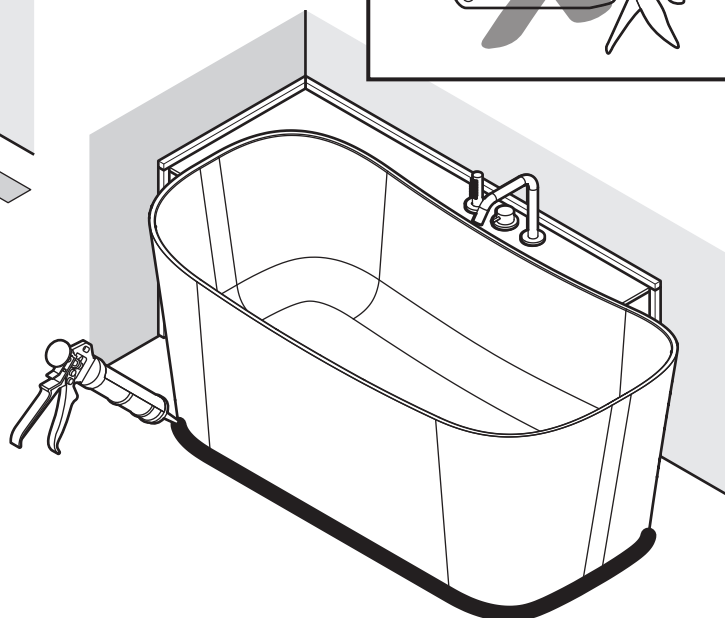
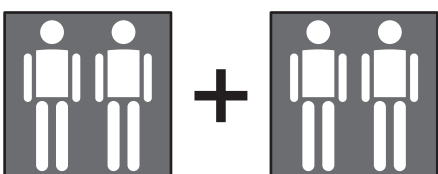
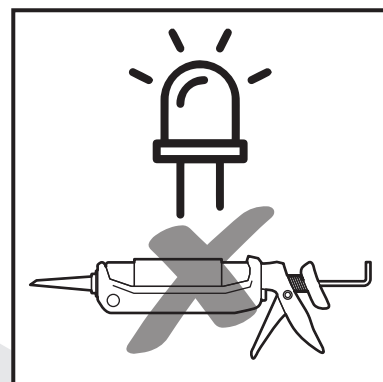
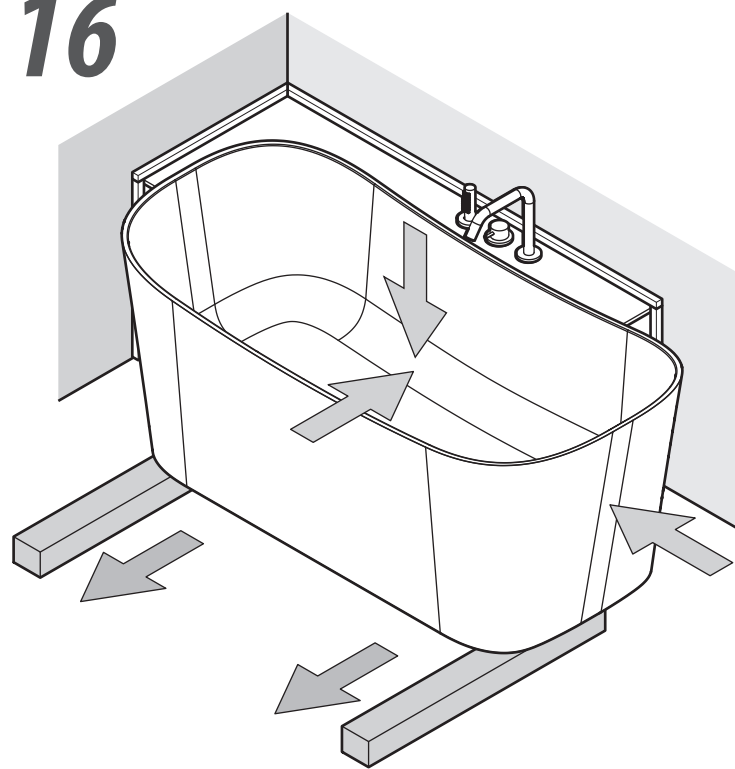
14



15



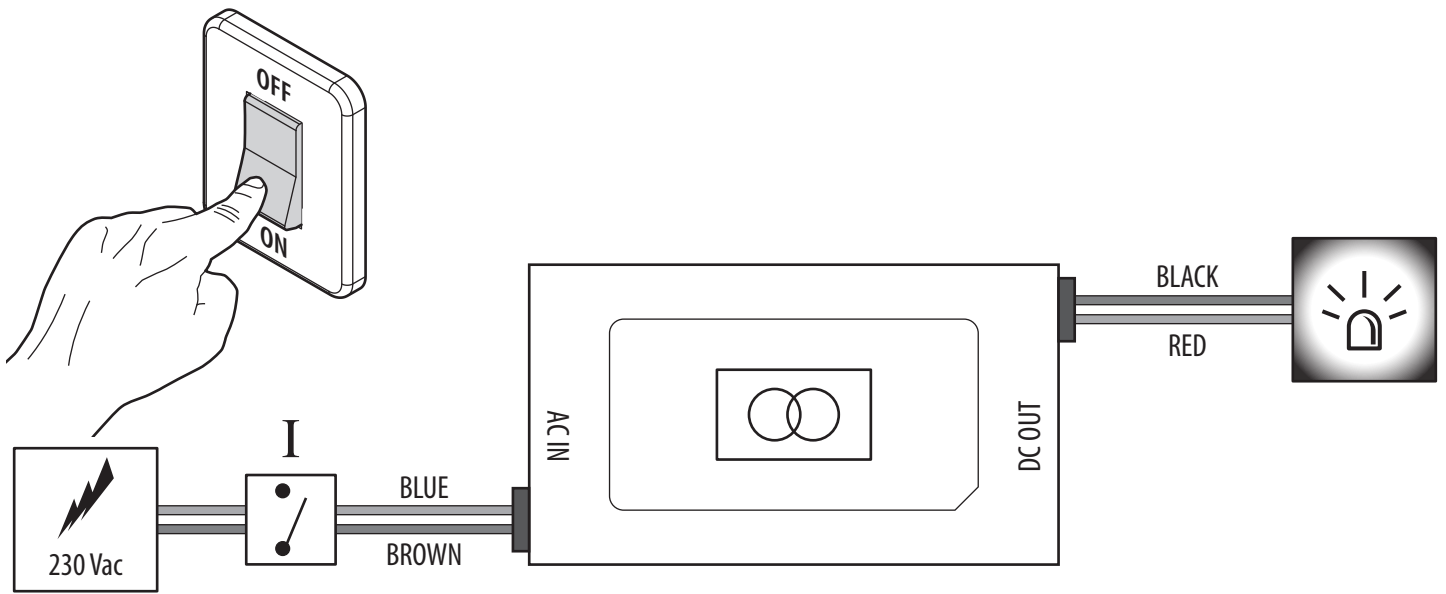
16



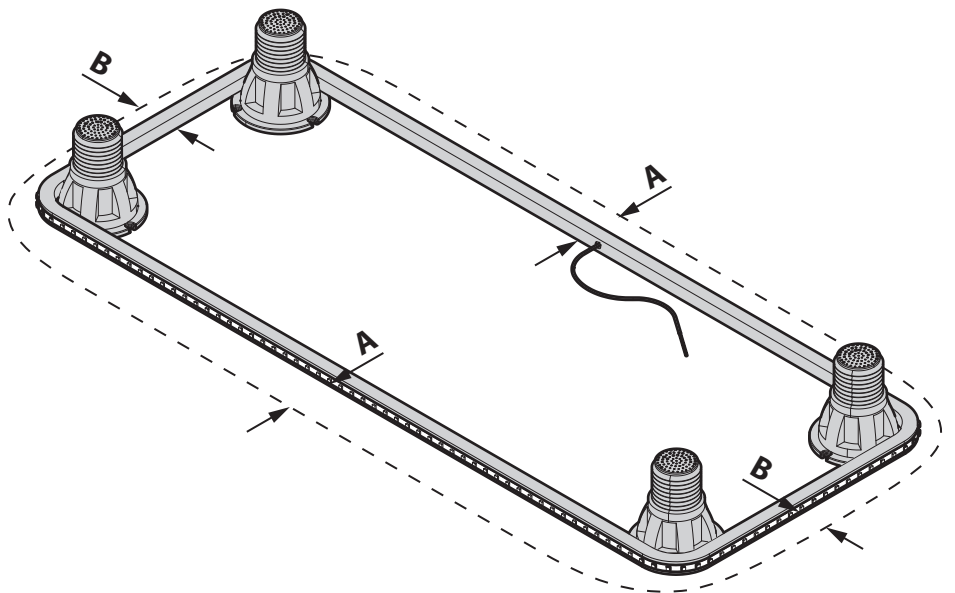
1

EN LED KIT ASSEMBLY (OPTIONAL):

Before installing the item, ensure that the power supply connections are plugged in and that the LEDs light correctly.

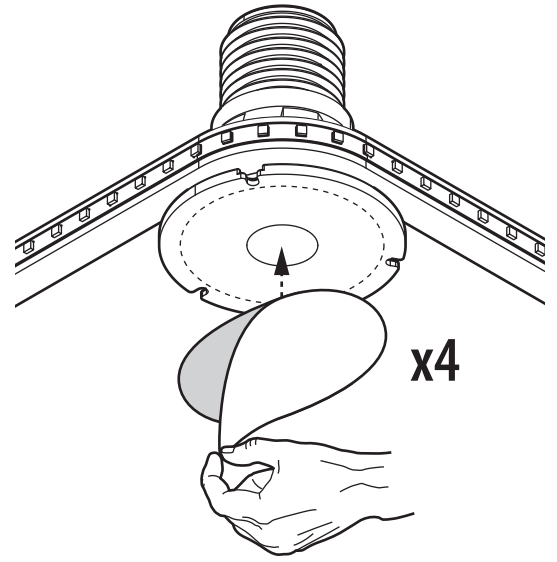
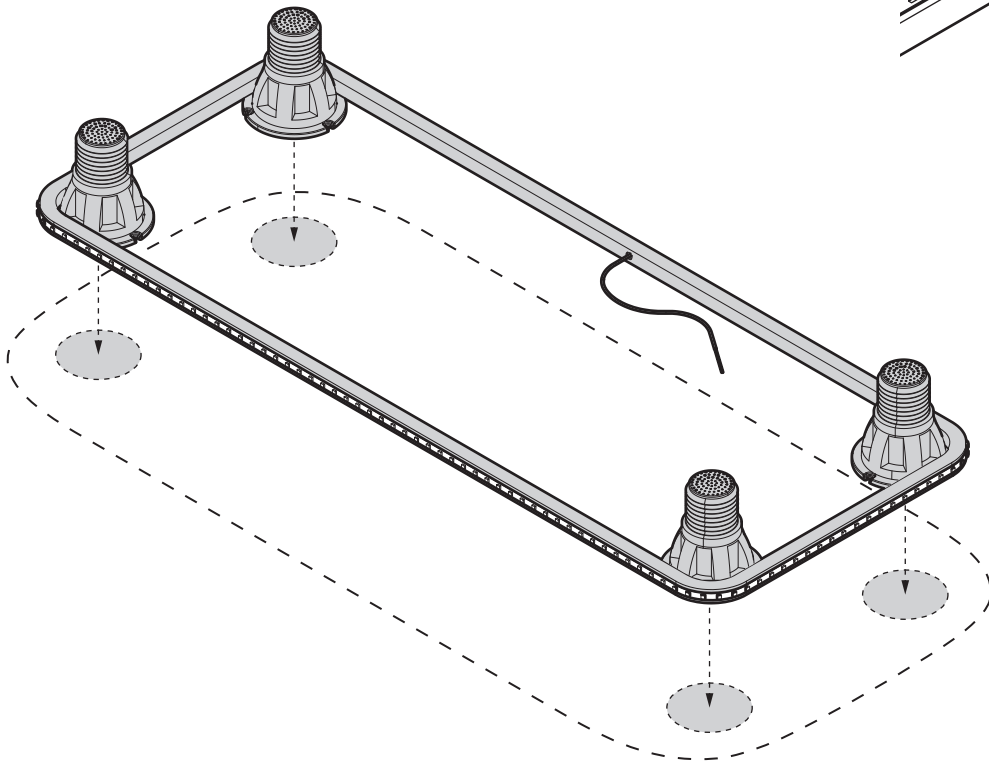


2

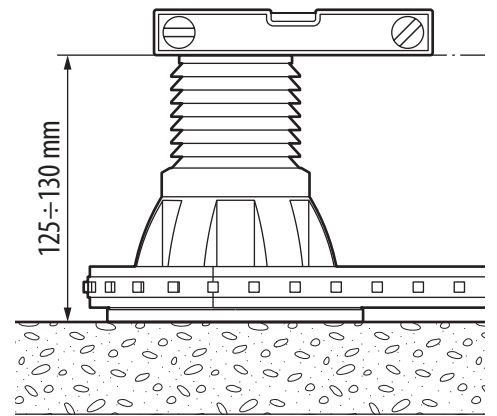
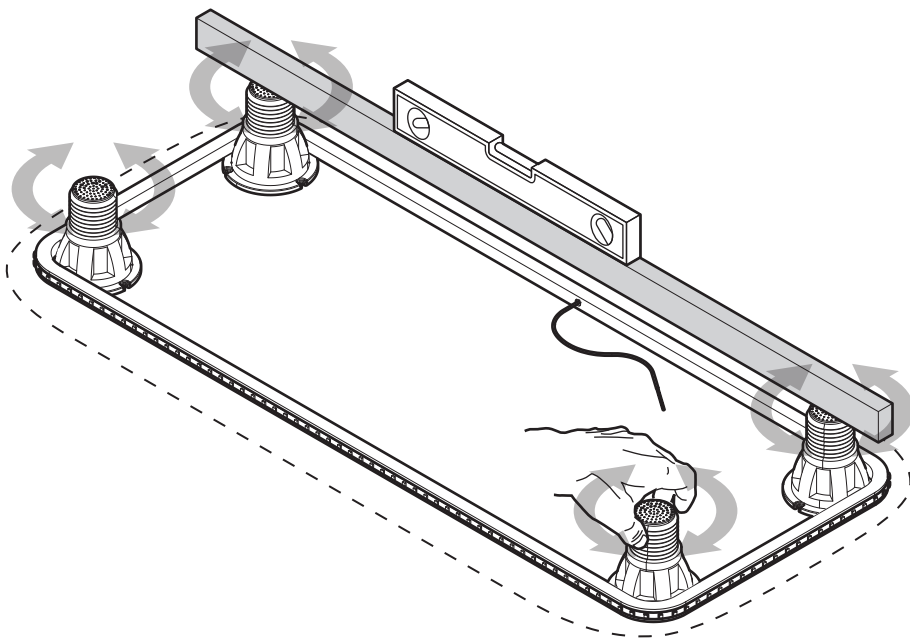


	A mm	B mm
SHIP 150	65	50
SHIP 160	65	100
INFINITIVE	80	150

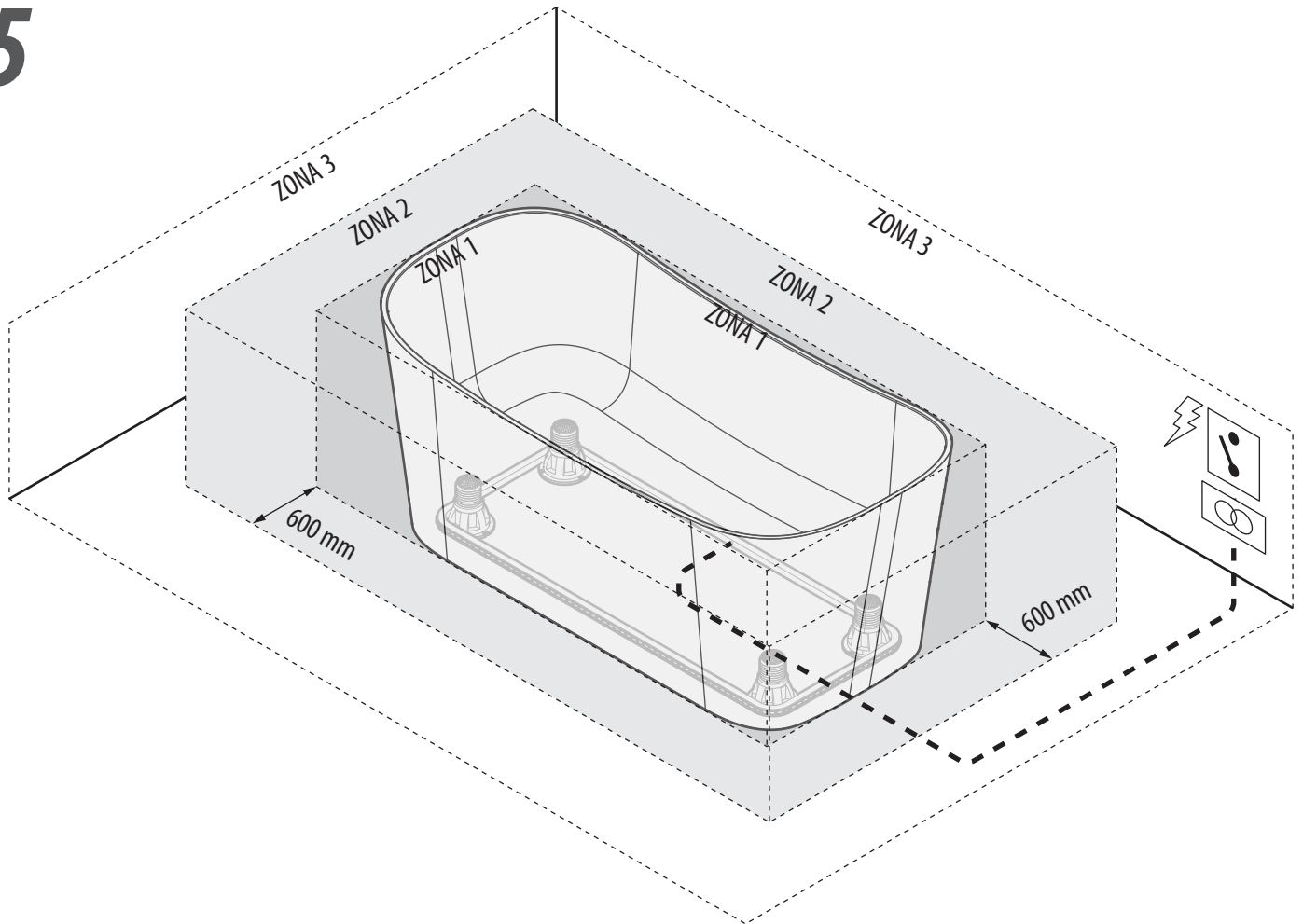
3



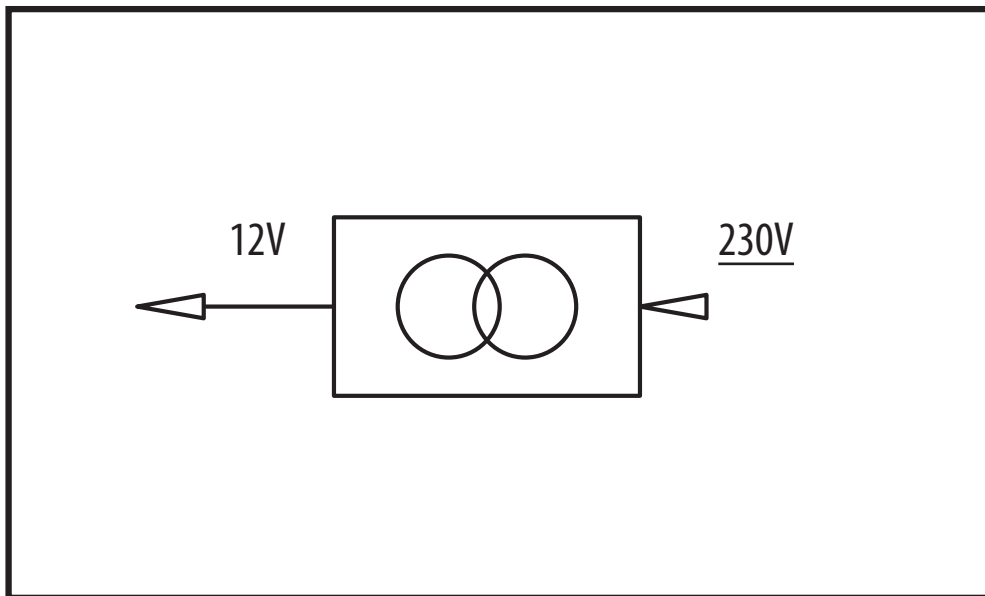
4



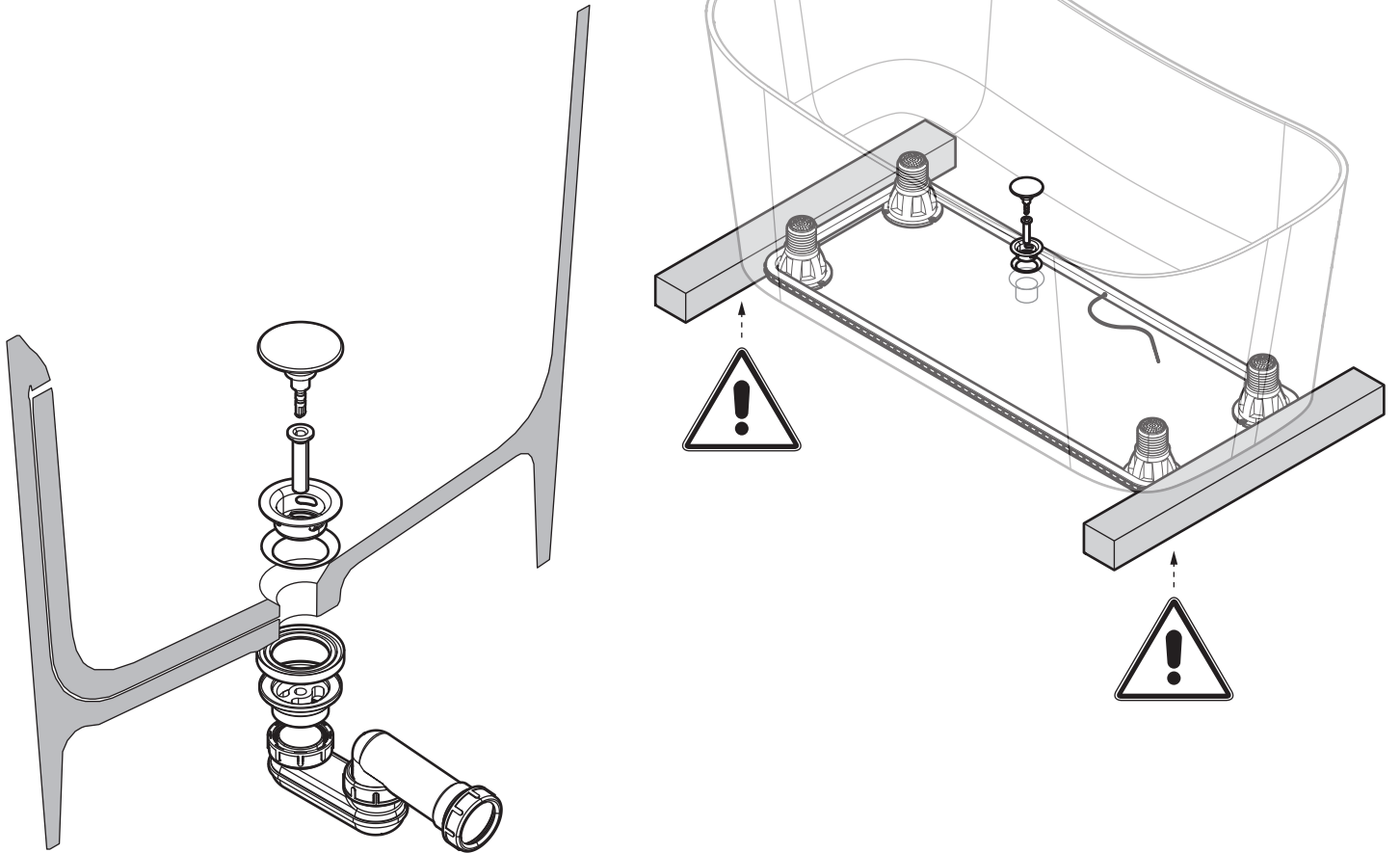
5



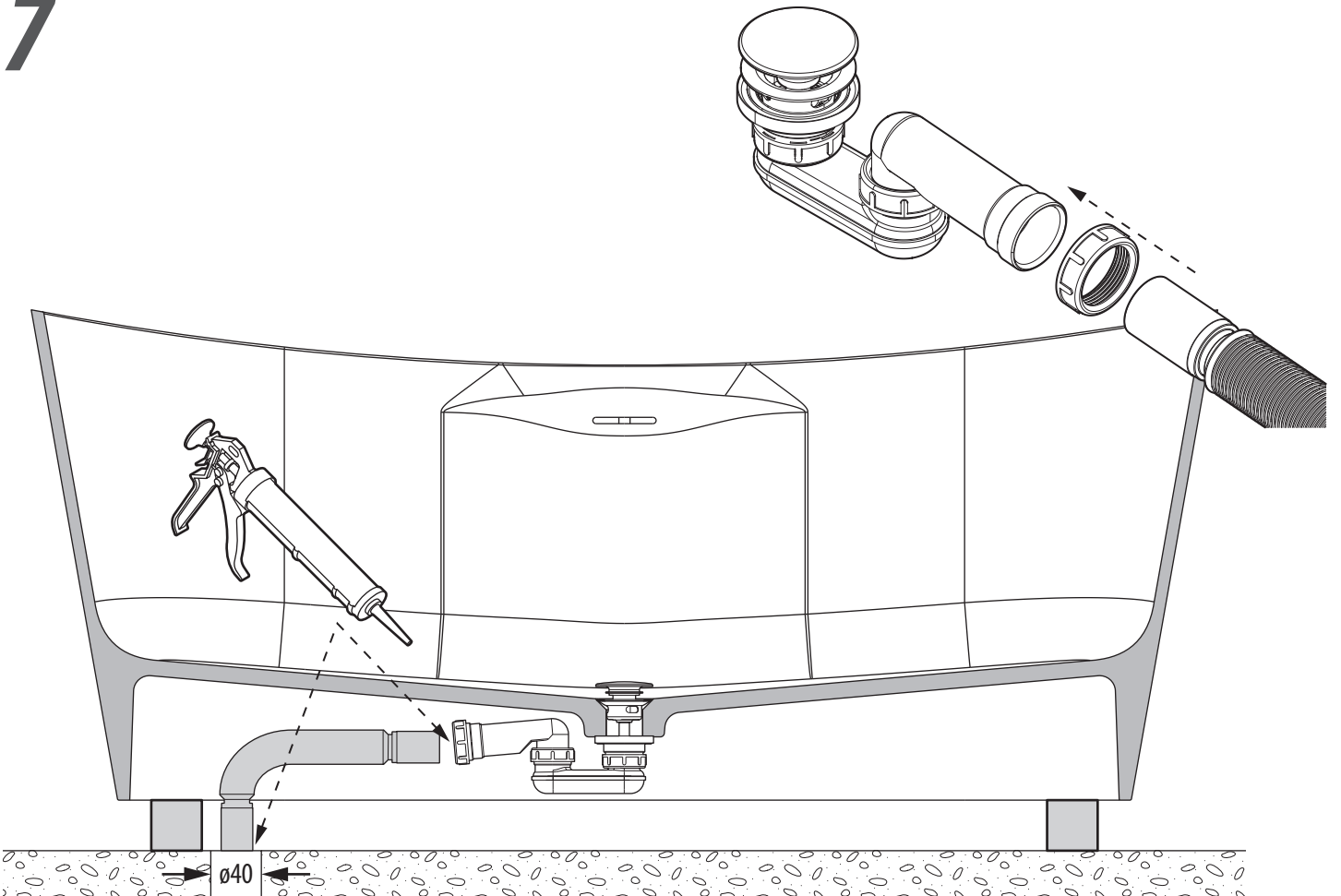
EN Installation must be carried out by qualified personnel in compliance with national regulations regarding electrical wiring.



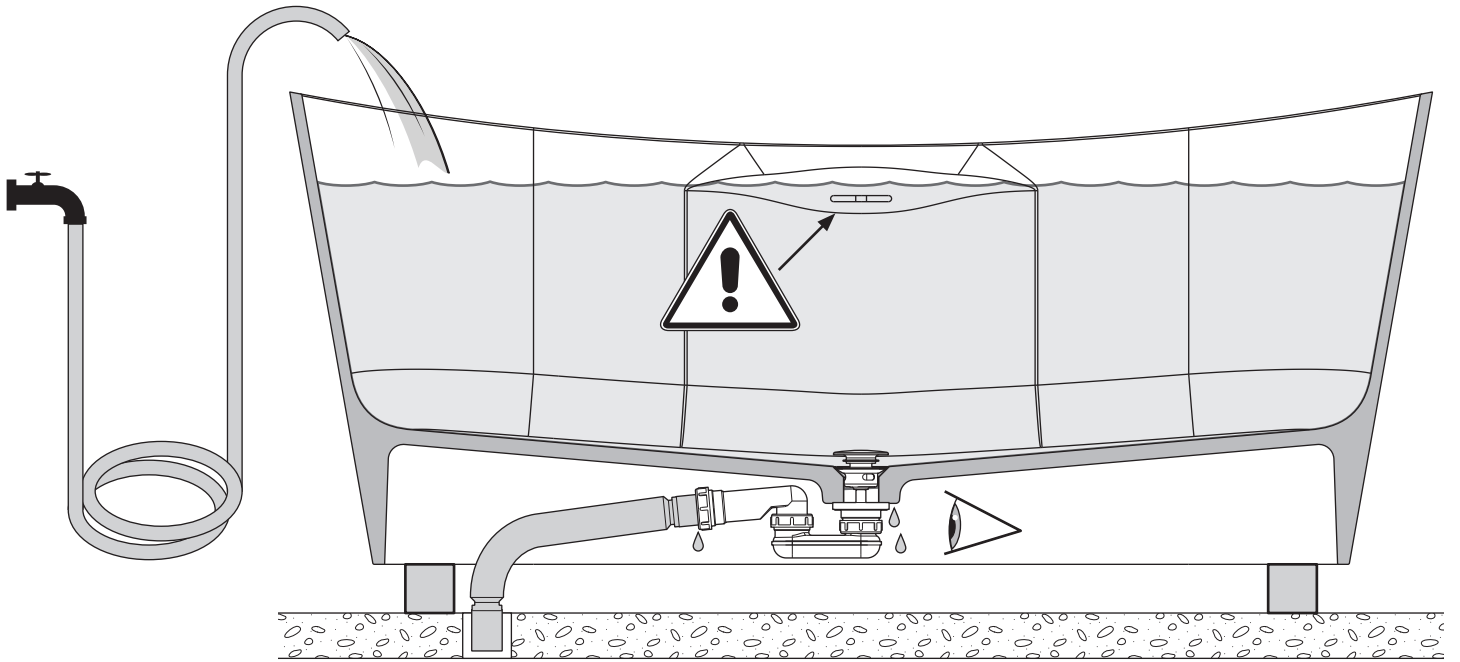
6



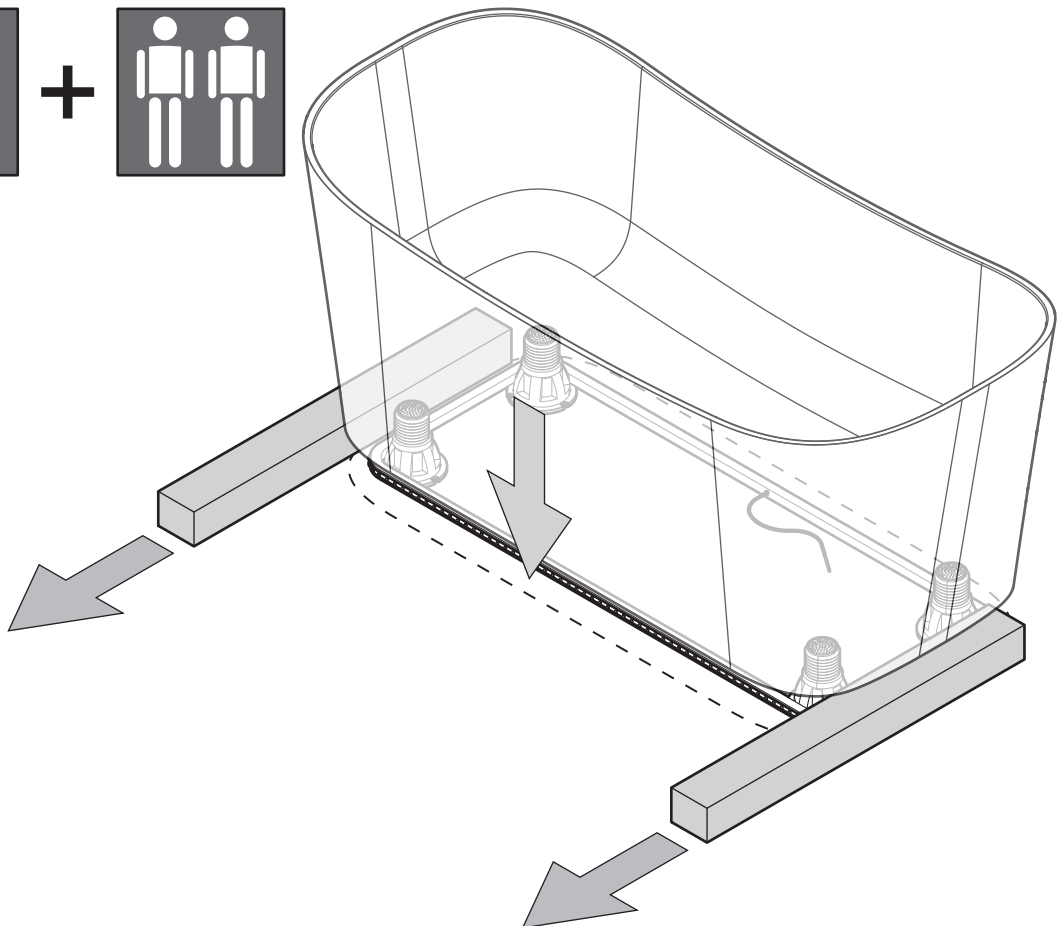
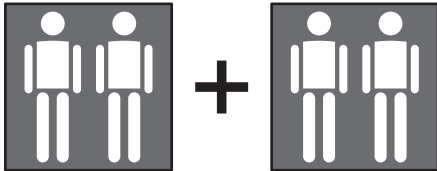
7



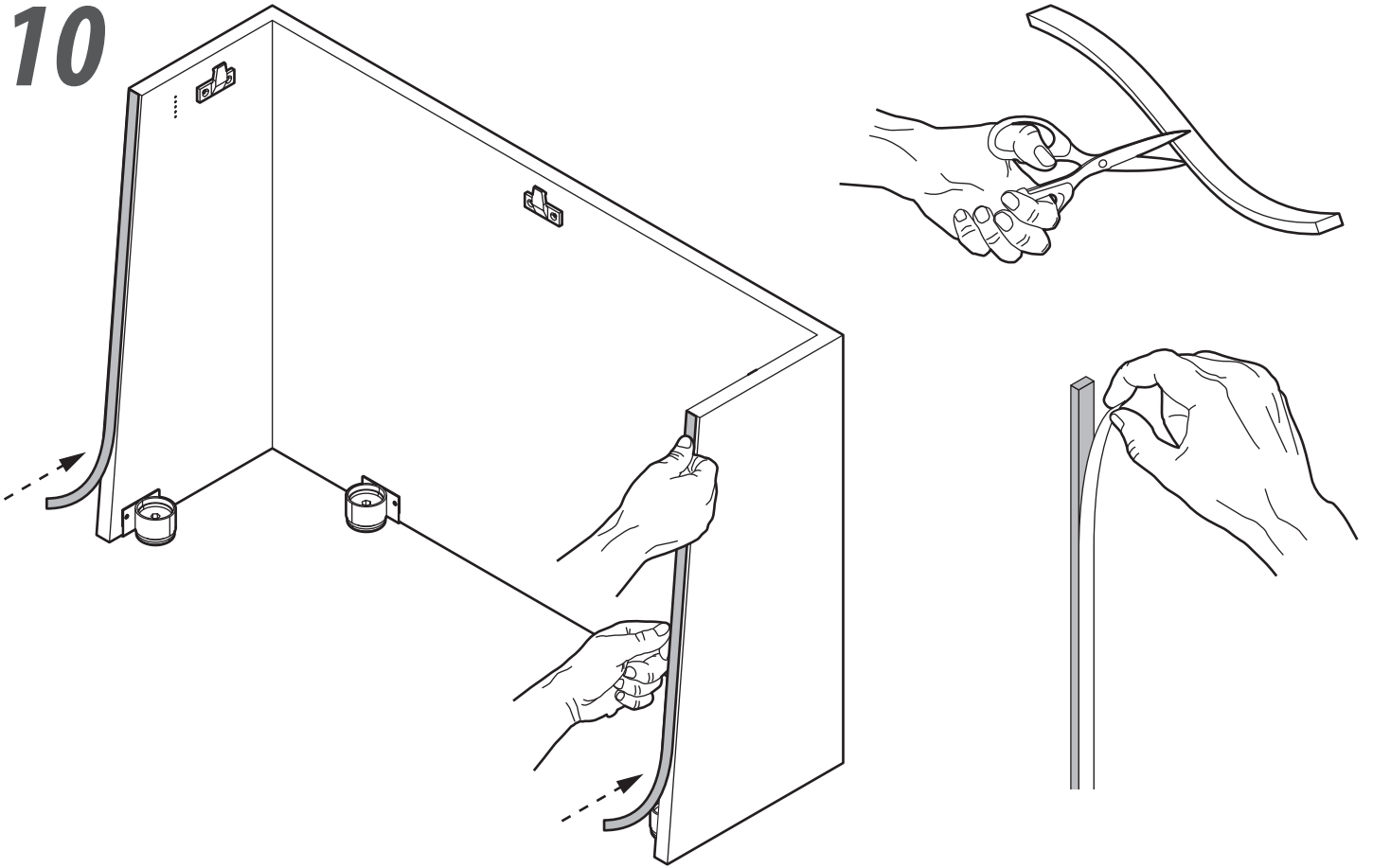
8



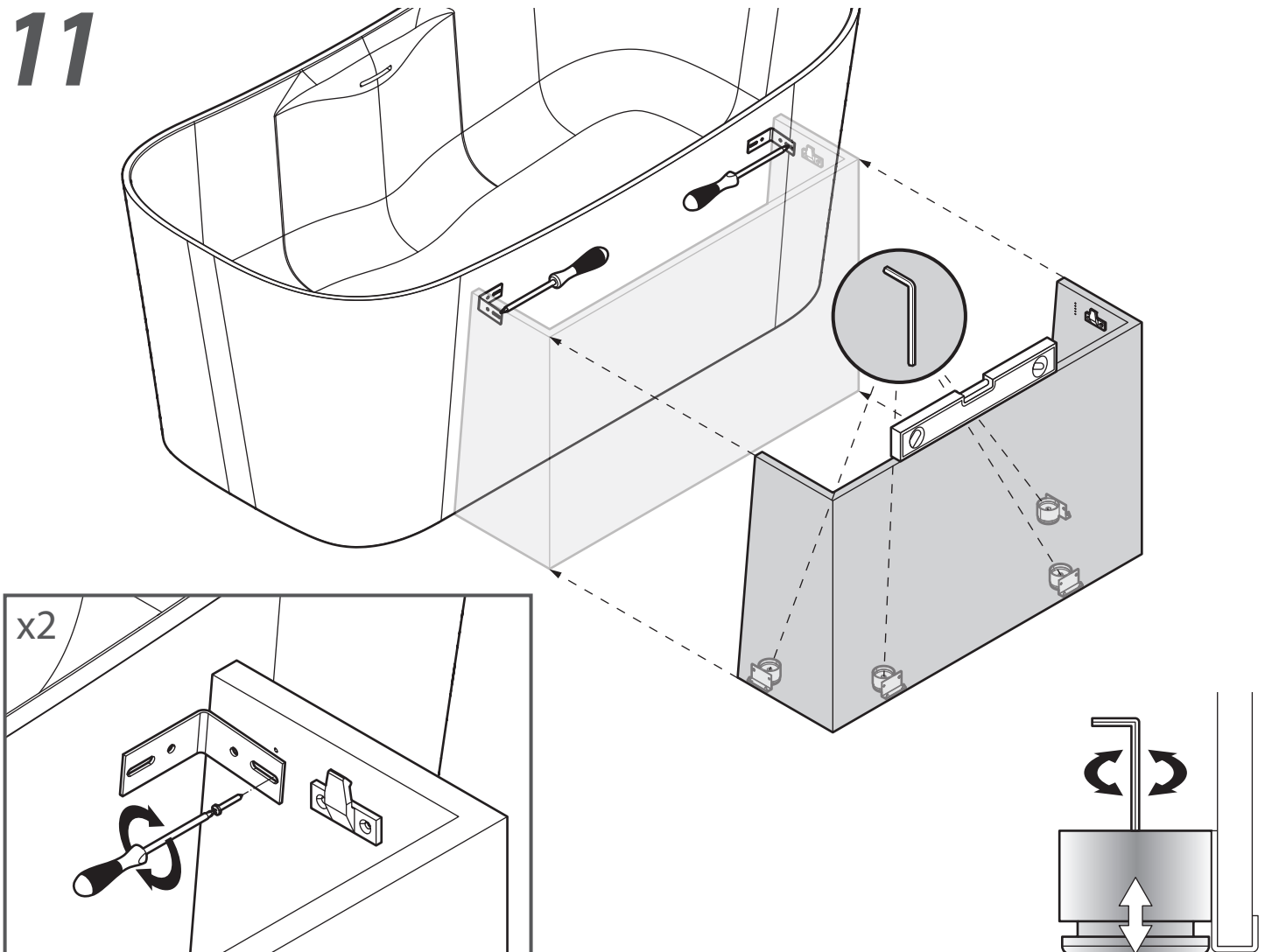
9

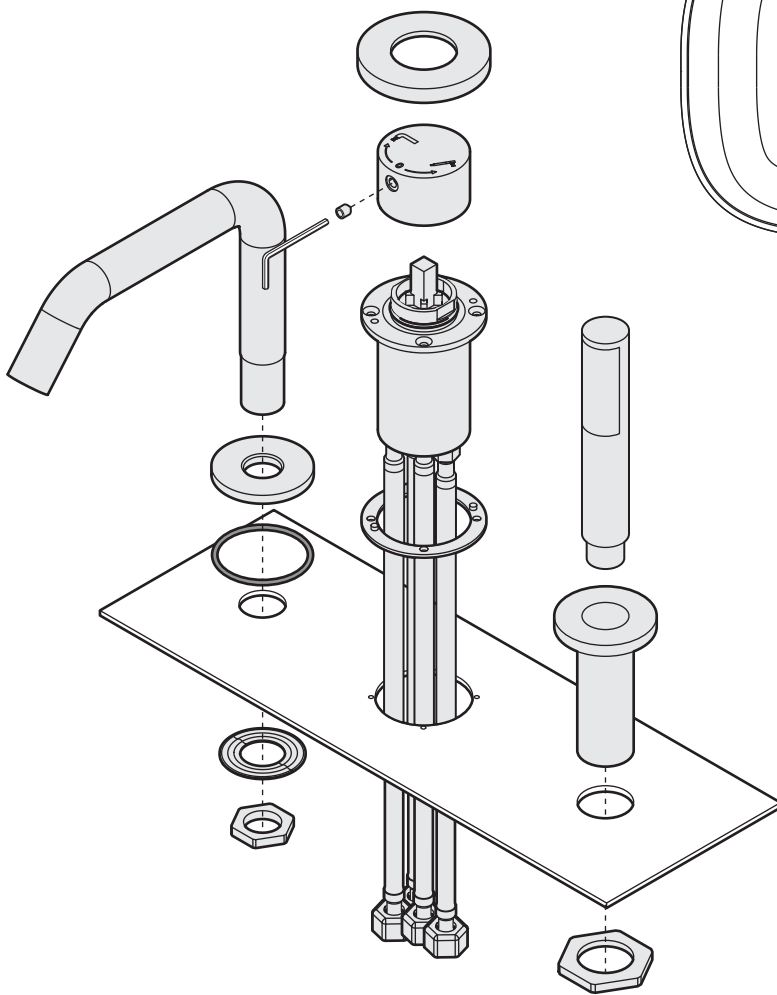


10

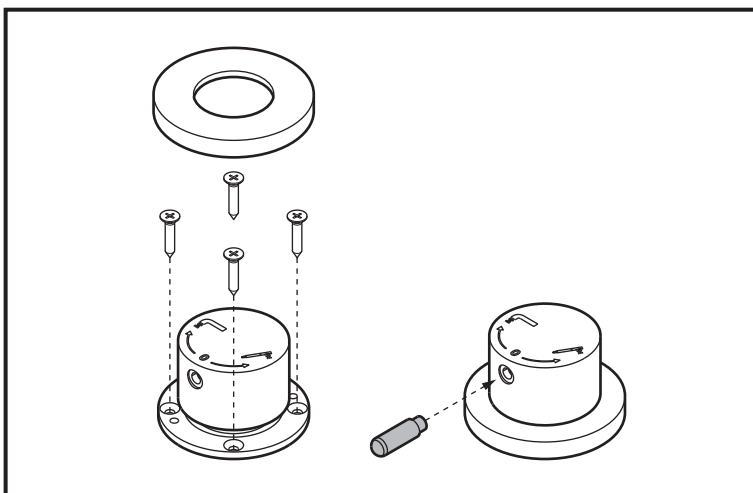
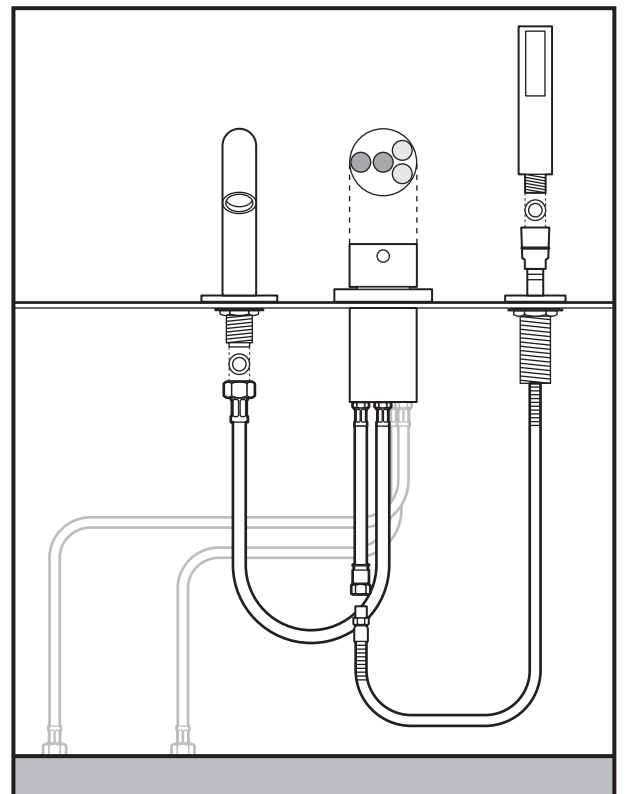
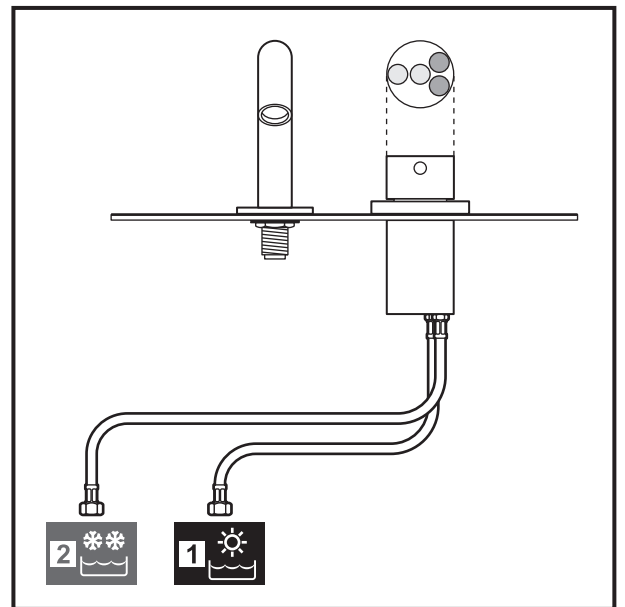
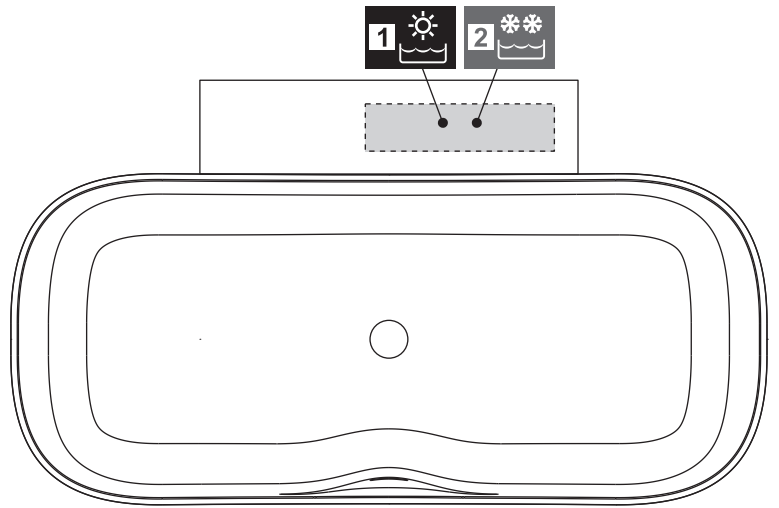


11

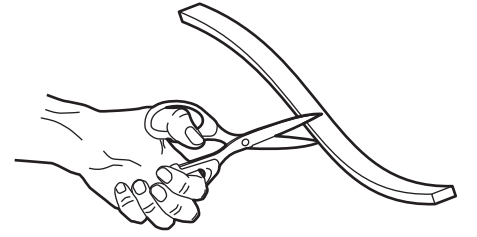
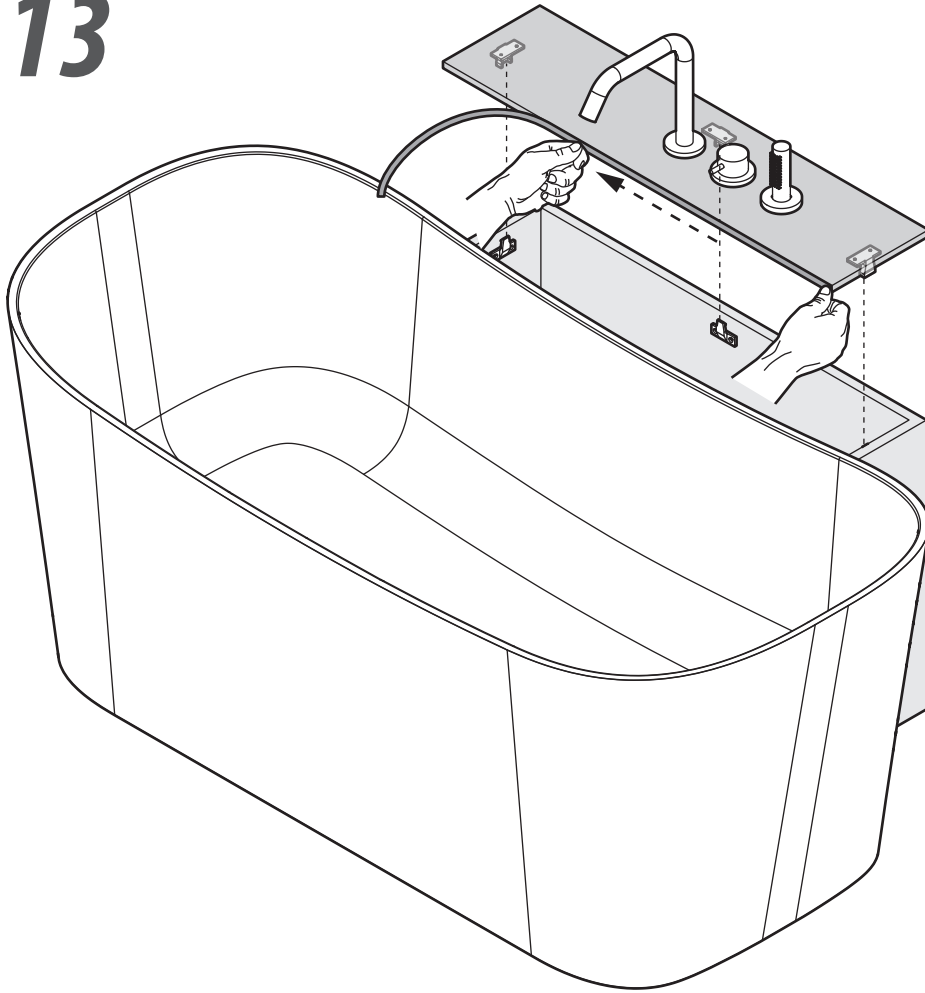




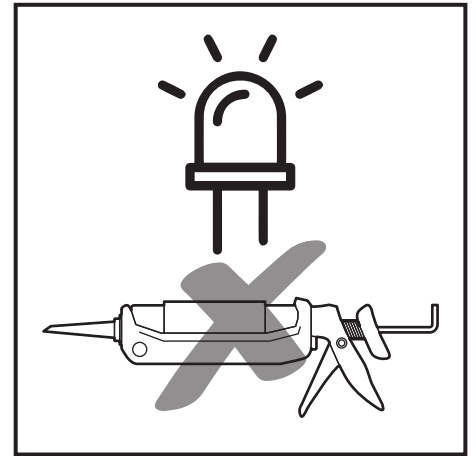
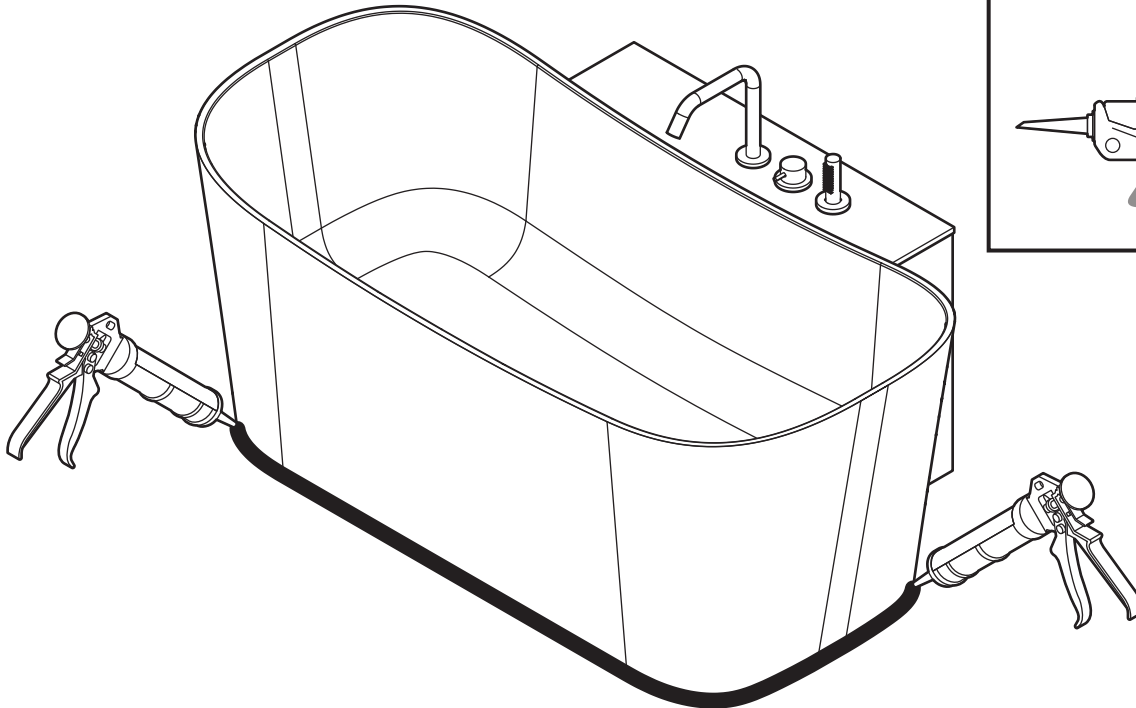
T.MAX60°C - 1/2'
 P.MAX 5 bar / 500.000 Pa
 P.MIN 1 bar / 100.000 Pa



13



14



MAINTENANCE AND CLEANING - NOVOTECH

The bathtub is manufactured using NOVOTECH, a composite material made of 2/3 aluminium hydrates mixed with polyester resins, modified with acrylic monomers giving it a high degree of chemical and mechanical performance.

This makes it a homogeneous, uniform material throughout its entire thickness, allowing the removal of any damage or scratches by simply using an abrasive sponge, thus renewing the look of the surface.

To keep the surface of NOVOTECH looking at its best, follow the brief, simple rules of good maintenance.

Cleaning:

For daily maintenance, simply clean NOVOTECH with soapy water or household detergents to remove most of the stains or dirt that may accumulate on the surface.

Gel or abrasive detergents are particularly recommended, which should be applied with a sponge such as "Scotch Brite®", taking care to rinse the surface well following application. The original matt finish, a distinctive feature of NOVOTECH, will thus be maintained.

Preventing damage:

The surface provides good stain resistance characteristics in general. The use of aggressive chemicals, however, such as acetone, trichlor, strong acids or strong bases is not recommended. A number of substances such as inks, cosmetics or dyes, in prolonged contact with the material, may release colourants. This may be removed by following the steps below. Cigarette burns may be treated in a similar way.

Removing stubborn stains, scratches or burns:

For minor damage, surfaces can be restored using a Scotch Brite® abrasive sponge and common scouring agents. If the defect is still visible, sand down with very fine P320 sandpaper and then even out with an abrasive sponge.

Recommended products:

Creams or scouring detergents such as CIF®, VIM® or similar that contain micro-granules that abrade the surface.

Denatured ethyl alcohol can be used, taking care to rinse surfaces well.

Products NOT recommended:

Solvents, such as acetone, trichlor, or other aggressive chemicals such as strong acids (muriatic acid etc.) and strong bases (caustic soda etc.), highly aggressive substances for unclogging drains or solvents used in the painting industry.

MAINTENANCE AND CLEANING OF PAINTED SURFACES:

To clean the furniture and the outside of the bathtub when painted, use soft rags, moistened with water and non-abrasive neutral products, suitable for cleaning delicate surfaces.

CERTIFICATE OF WARRANTY:

All products purchased by the consumer, as defined by art. 3 of the Consumer Code (Legislative Decree No. 206 of 6 September 2005 and subsequent amendments), are covered by the seller's legal guarantee pursuant to arts. 128 and subsequent amendments of the Consumer Code. In the event product non-compliance, the consumer should contact their dealer within the terms of the law.

EXCEPTIONS AND RESTRICTIONS:

When the product is not used in accordance with the relevant user instructions and the use outlined in the installation instructions and when the suggestions and warnings included therein are not observed. When the product has been modified or dismantled, either partially or totally, or used without due care and has consequently suffered damage attributable to the user, the individual or to tools used without due authorisation from "NOVELLINI". This warranty does not cover damage resulting from disasters such as fire or natural disasters, including floods, earthquakes, etc.

CE DECLARATION OF CONFORMITY:

The manufacturer Novellini S.p.a. Via Mantova, 1023 - 46030 Romanore di Borgo Virgilio, Mantova - Italy declares under its own responsibility that the following products: "bathtubs" comply with the European standard EN14516.



Novellini S.p.a. Romanore di Borgo Virgilio (MN) 20
EN14516 – CL1

Bathtub for domestic use and personal hygiene

Cleanability

Durability of cleanability

Pass

Pass

Romanore di Borgo Virgilio, li 01.01.2020

Novellini S.p.a.
Marco Novellini
Amministratore delegato

A handwritten signature in black ink, appearing to read 'Marco Novellini', is written over the printed name and title.



371772

NOVELLINI S.p.A.

Via Mantova, 1023 - 46030 Romanore di Borgo Virgilio (Mn)

Tel. +39 0376 6421 - Fax +39 0376 642250 - e-mail: novellini@novellini.it

www.novellini.com

60783IST_05 (10 2024)