

SAND



INSTALLATION MANUAL



NOVELLINI





READ THE INSTRUCTIONS CAREFULLY



INTRODUCTION:

Installation of the bathtubs must be carried out by personnel who are able to demonstrate to the relevant authorities a degree of awareness and competence regarding the application of national regulatory requirements relating to safety, i.e. water supply/ disposal. The manufacturer provides training for service technicians and we therefore recommend that installation be carried out by one of the manufacturer's technical support centres.



Whenever the indicated symbol is seen in this manual, it corresponds to important instructions or to the safety of the item.

IMPORTANT!



Please read all instructions carefully before installing the item. Check that all components for assembly are in the packaging and that they are not visibly defective.

Installation must be carried out in such a way that all elements requiring maintenance (e.g. DRAIN, SIPHON, etc.) are accessible following installation.

Installation must be carried out on finished floors and walls.

In the event of a complaint, submit the invoice/receipt together with the installation instruction booklet.

The images and drawings shown in the manual are for illustrative purposes only. The manufacturer reserves the right to make any changes or modifications.



CAUTION:

- Observe all plumbing and construction requirements in accordance with local regulations.
- SAND are baths for bathrooms and must be used exclusively for this purpose. Improper use of bathtubs exempts NOVELLINI SPA from any liability and renders any form of warranty null and void.
- Unpack and inspect the bathtub for any damage. Reposition the tub onto the pallet and cover it with cardboard until installation is required.
- Before installation, check for accessibility of the final plumbing

fittings.

- The tub must be moved by at least 2 persons.
- Do not install the tap at the level of the overflow.
- Any taps installed on the edge of the bathtub may not be used as a support or stand as they are not designed for this purpose.
- The bath tub cannot be modified or dismantled, even partially. Drilling holes or other types of interventions are not permitted.



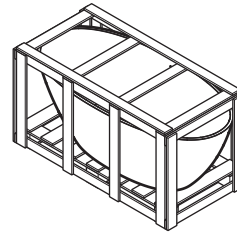
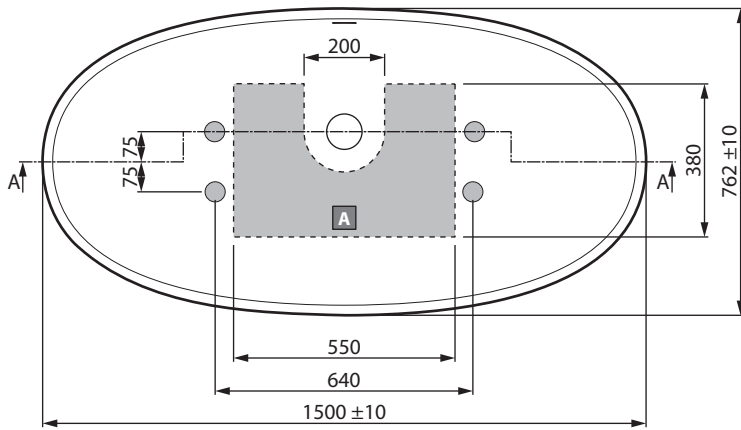
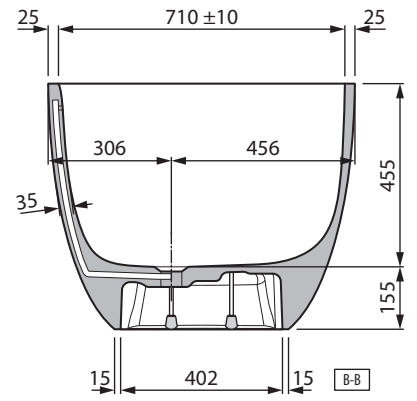
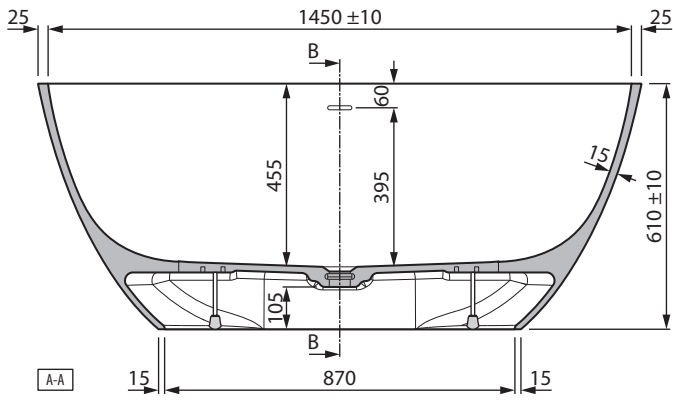
WARNING

- The equipment may not be used by persons (including children under 8 years of age) with impaired physical, sensorial or mental capacities, or lacking the necessary experience and knowledge, unless appropriately instructed to use it or under the supervision of a person responsible for their safety. Children must be supervised so they do not play with the equipment. The cleaning and maintenance operations to be performed by the user must not be done by children without supervision.
- NOVELLINI SPA bathtubs are designed for domestic or similar use and must only be installed and used indoors at room temperature.
- Use or proximity of electrical equipment (radios, hair dryers etc.) pose a hazard when using the bathtub.
- Pay special care when using the bathtub when alone. Immersion in hot water for extended periods may cause nausea, dizziness or fainting.
- Use of the bathtub after taking medication, or any other substance that may induce drowsiness or alter blood pressure, is not advisable.
- It should be borne in mind that a slight drop in blood pressure usually occurs because of the effects of vasodilation brought about by high water temperatures.
- Water temperature must never exceed 45°C. It is always good practice to run mixed water into the bathtub, avoiding the use of boiling water first and then cold. Recall that the highest degrees of relaxation are obtained with a temperature that is between 36 and 37°C.
- Baths should never last longer than 20/30min, keeping in mind that times should be reduced for higher water temperatures (approx. 15/20min at 36/37°).
- Bathtub surfaces become more slippery when wet. Be aware that this occurs especially when soaps, shampoos, bath oils, etc. are used.
- The use of aggressive chemicals such as acetone, trichlor, strong acids (muriatic acid etc.) and strong bases (caustic soda etc.), industrial detergents, or solvents used in the painting industry are NOT recommended for cleaning. Refer to the Maintenance and Cleaning section in this manual for further information.

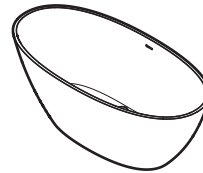
- DO NOT use metal scrapers, iron brushes, or other metal household utensils to remove stains, paint, filler, or other.
- Certain substances such as ink, cosmetics and dyes may stain the material if they are in prolonged contact with the surface of the bathtub. A similar phenomenon may occur with lit cigarettes.



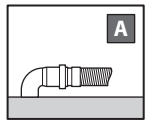
SAND 150x76



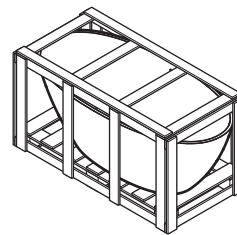
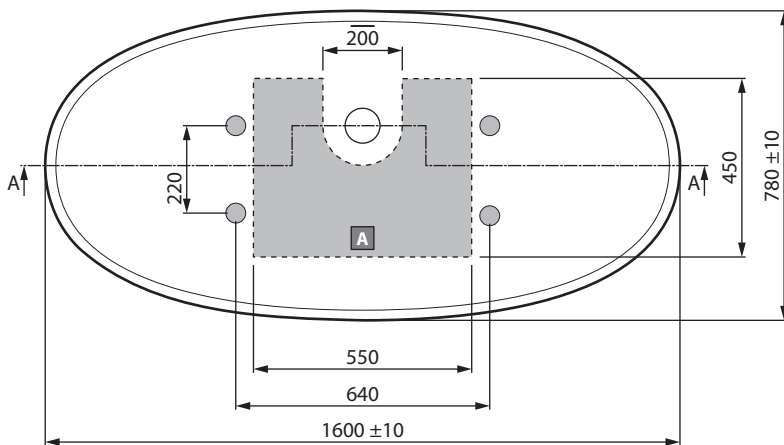
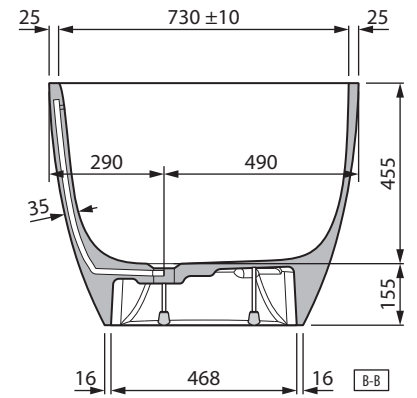
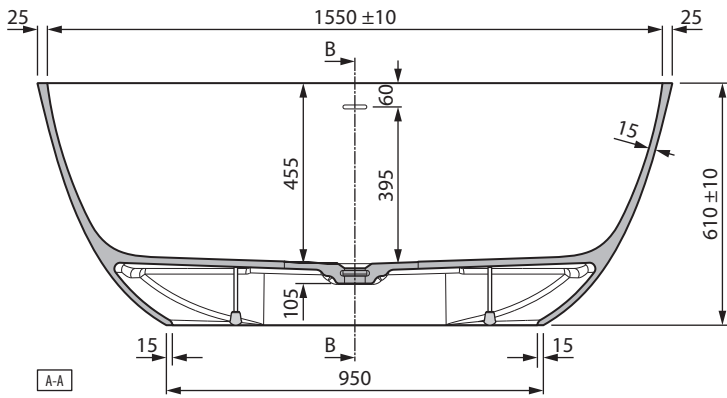
kg 182



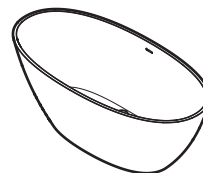
kg 132



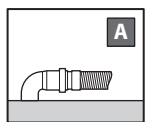
SAND 160x78



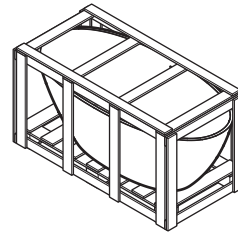
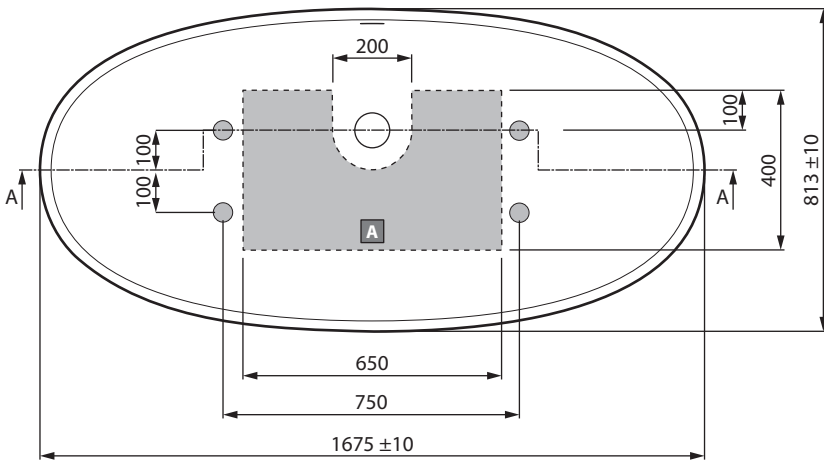
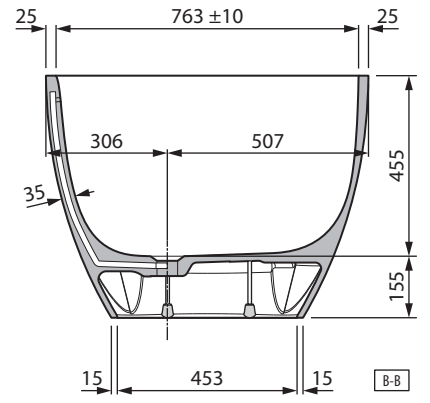
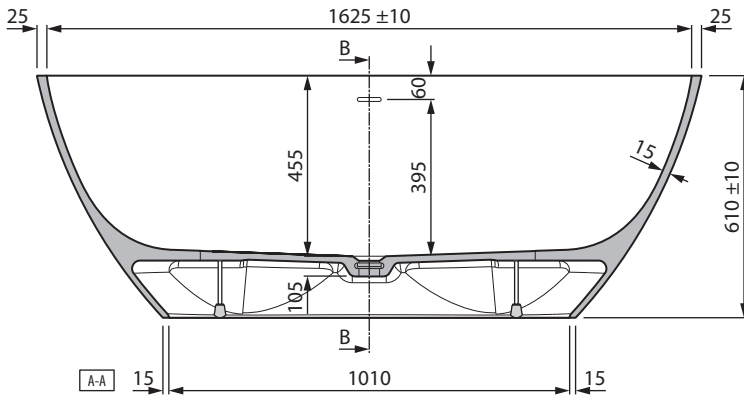
kg 190



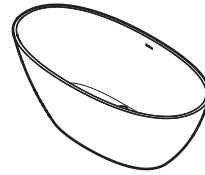
kg 140



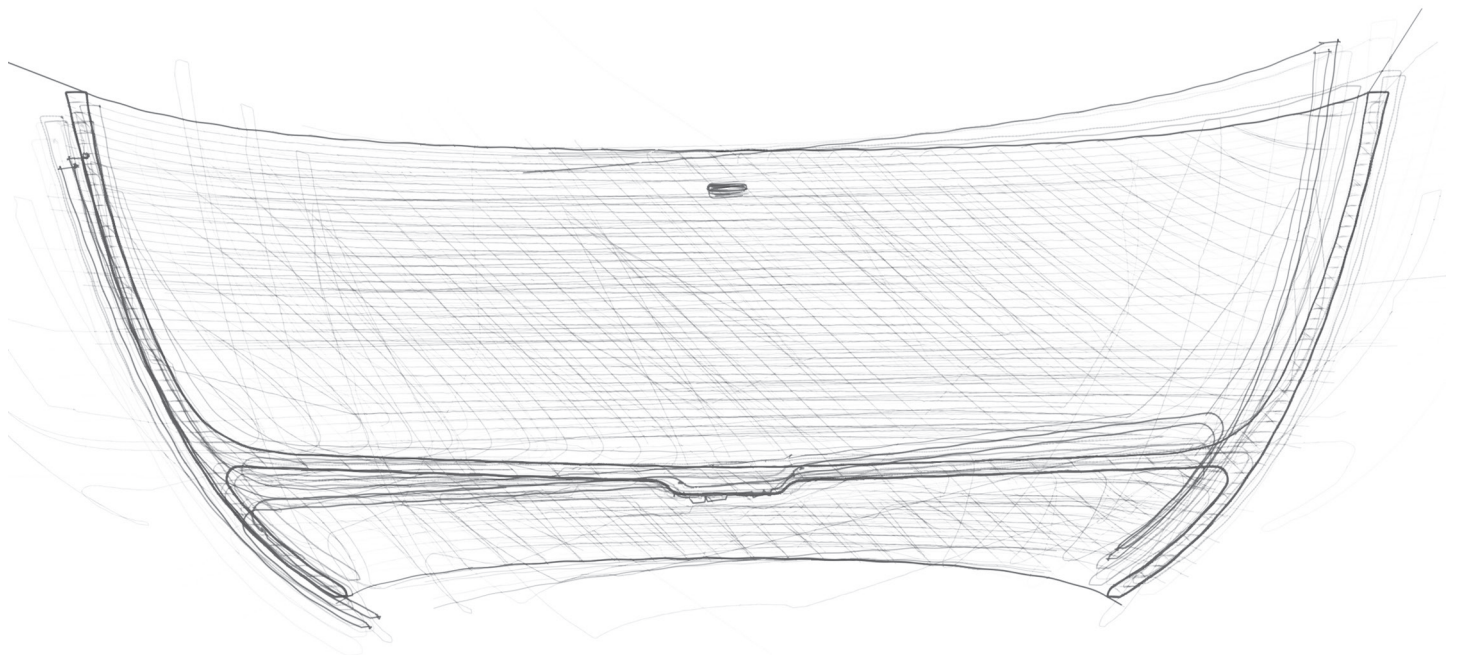
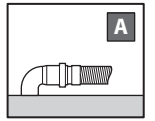
SAND 167x81



kg 198



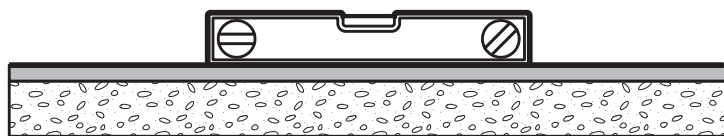
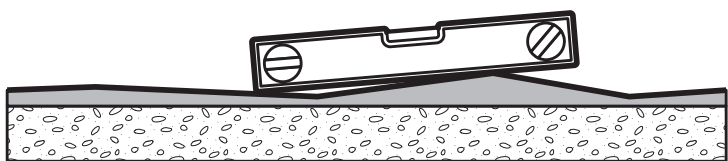
kg 148



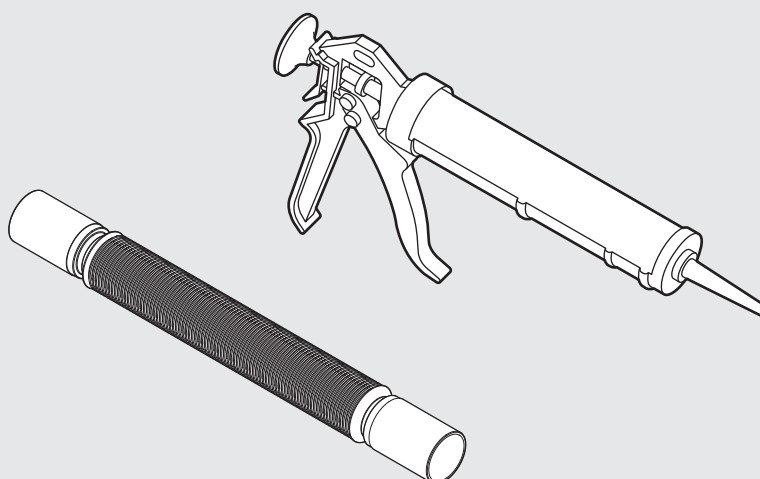
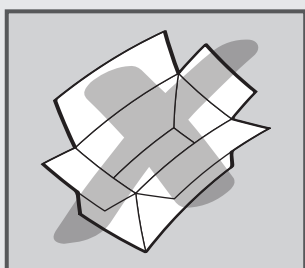
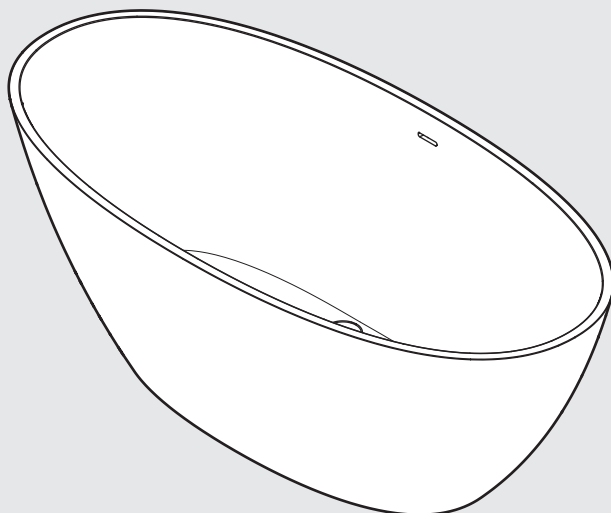
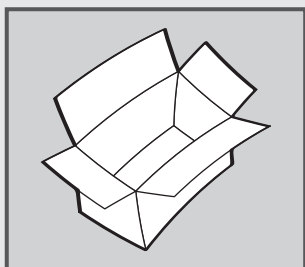
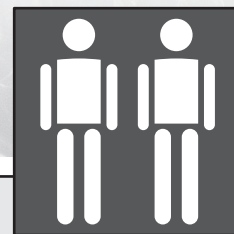


EN INSTALLATION NOTES:

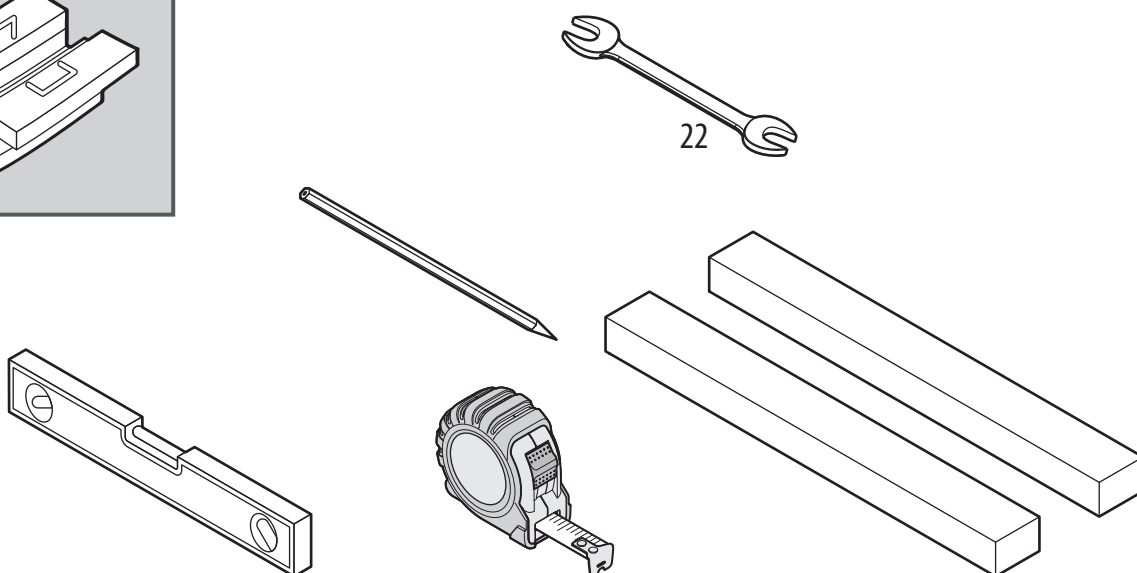
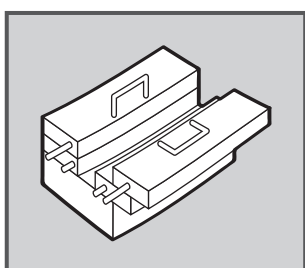
- Ensure that the floor and platform, if any, are adequate to support the weight of the product.
- Check that the floor and supporting surfaces are flat and level.
- Installation must be carried out on finished floors and walls.
- In the event of a complaint, submit the invoice/receipt together with the installation instruction booklet.
- This bathtub can be installed on floors or raised platforms.



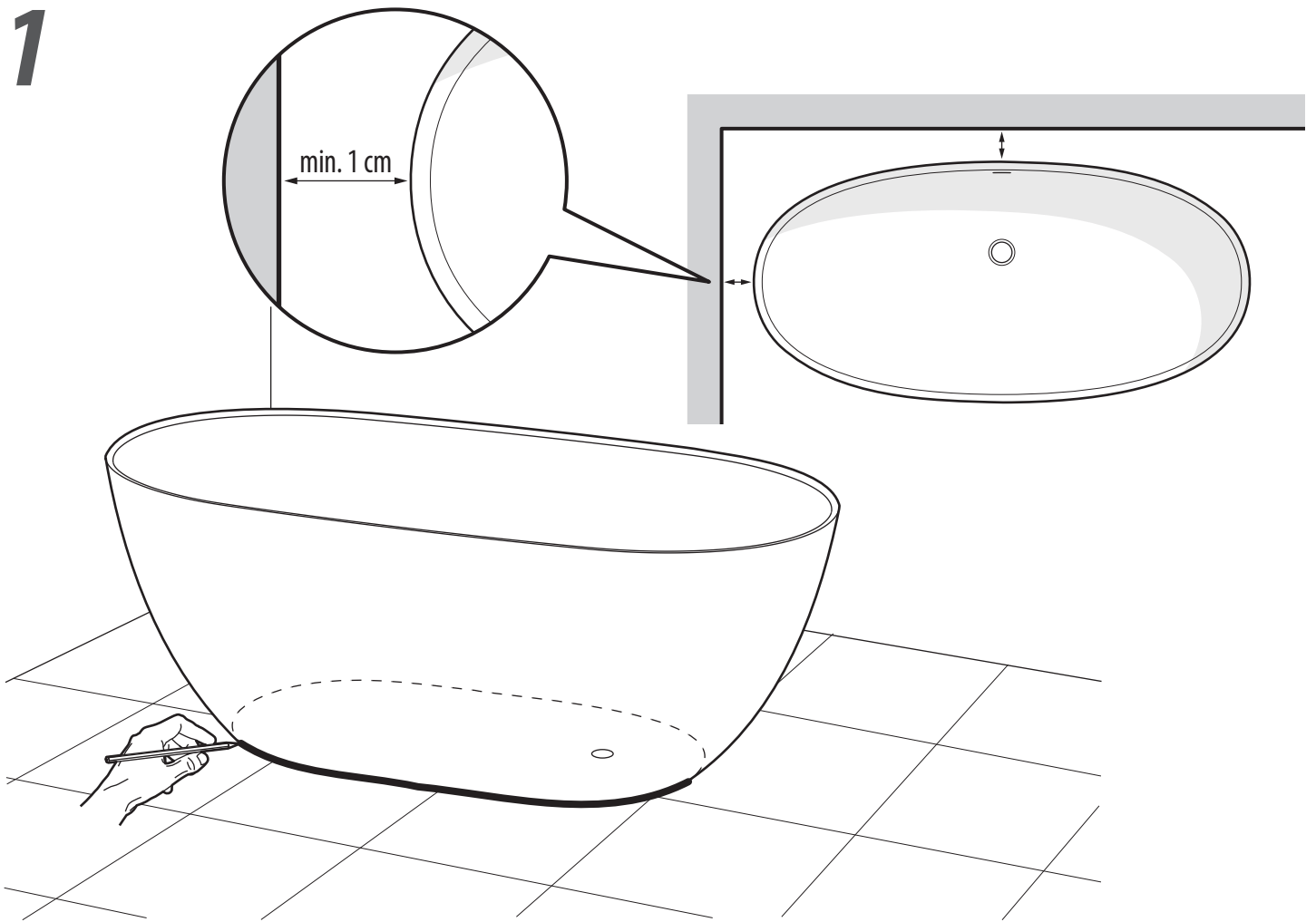
INSTRUCTIONS FOR INSTALLATION



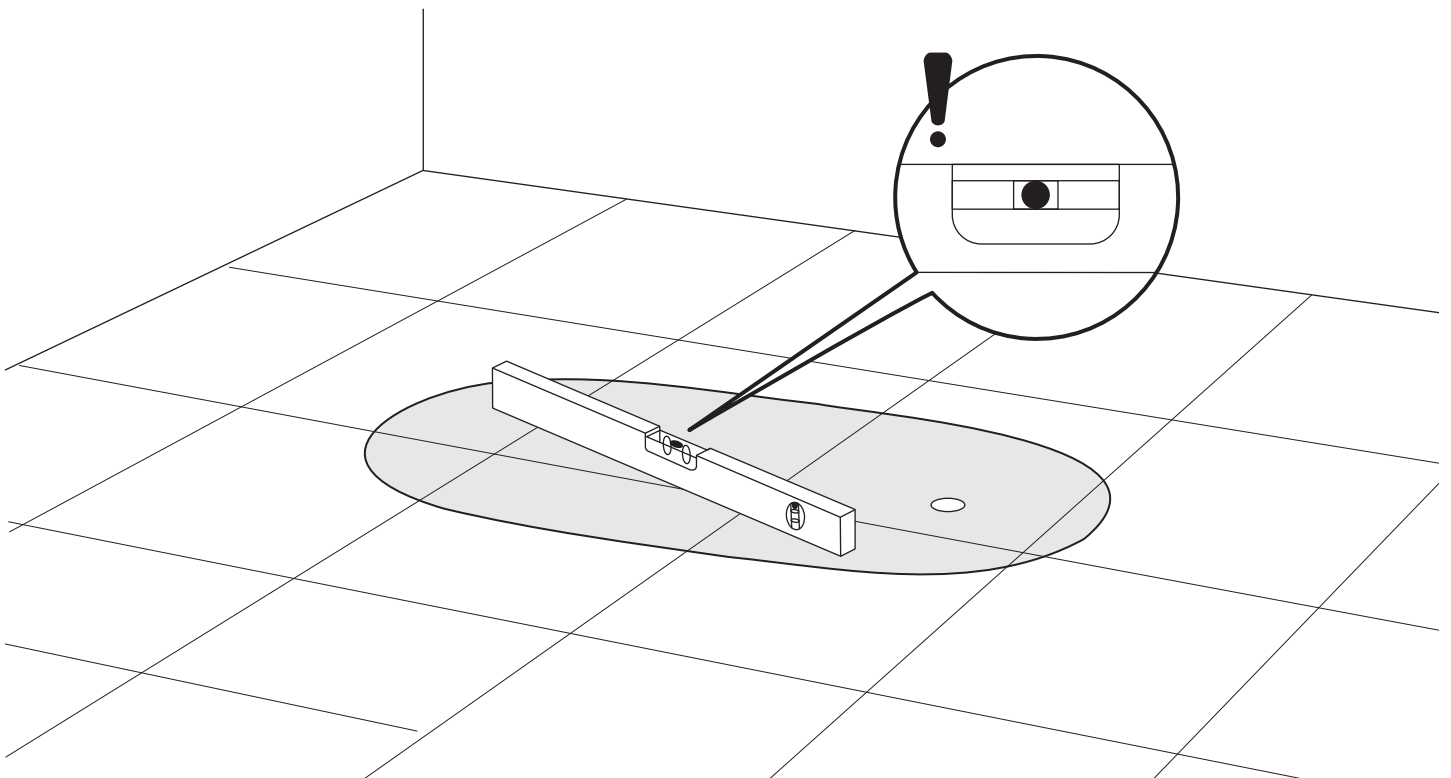
NON-ACETIC



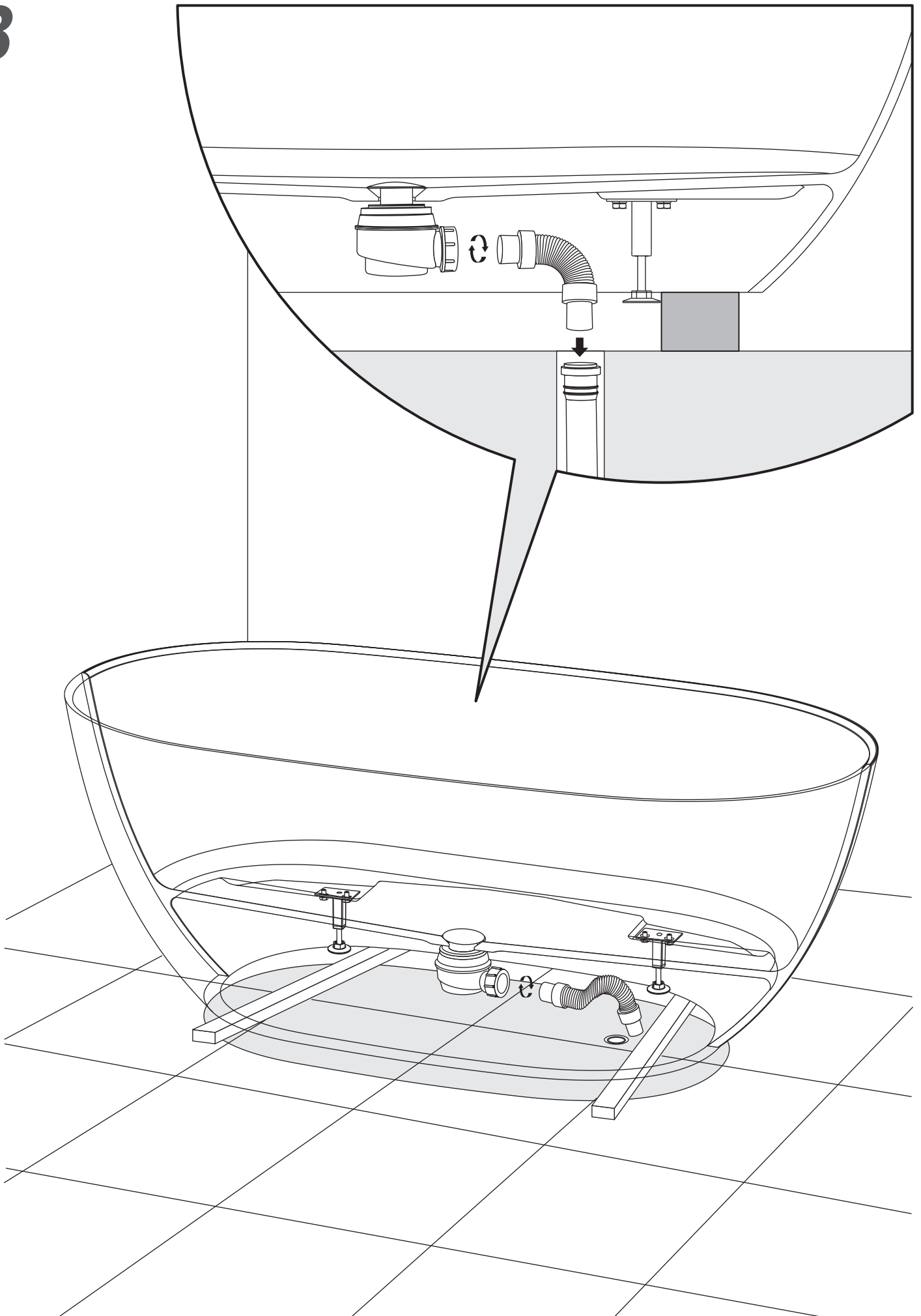
1



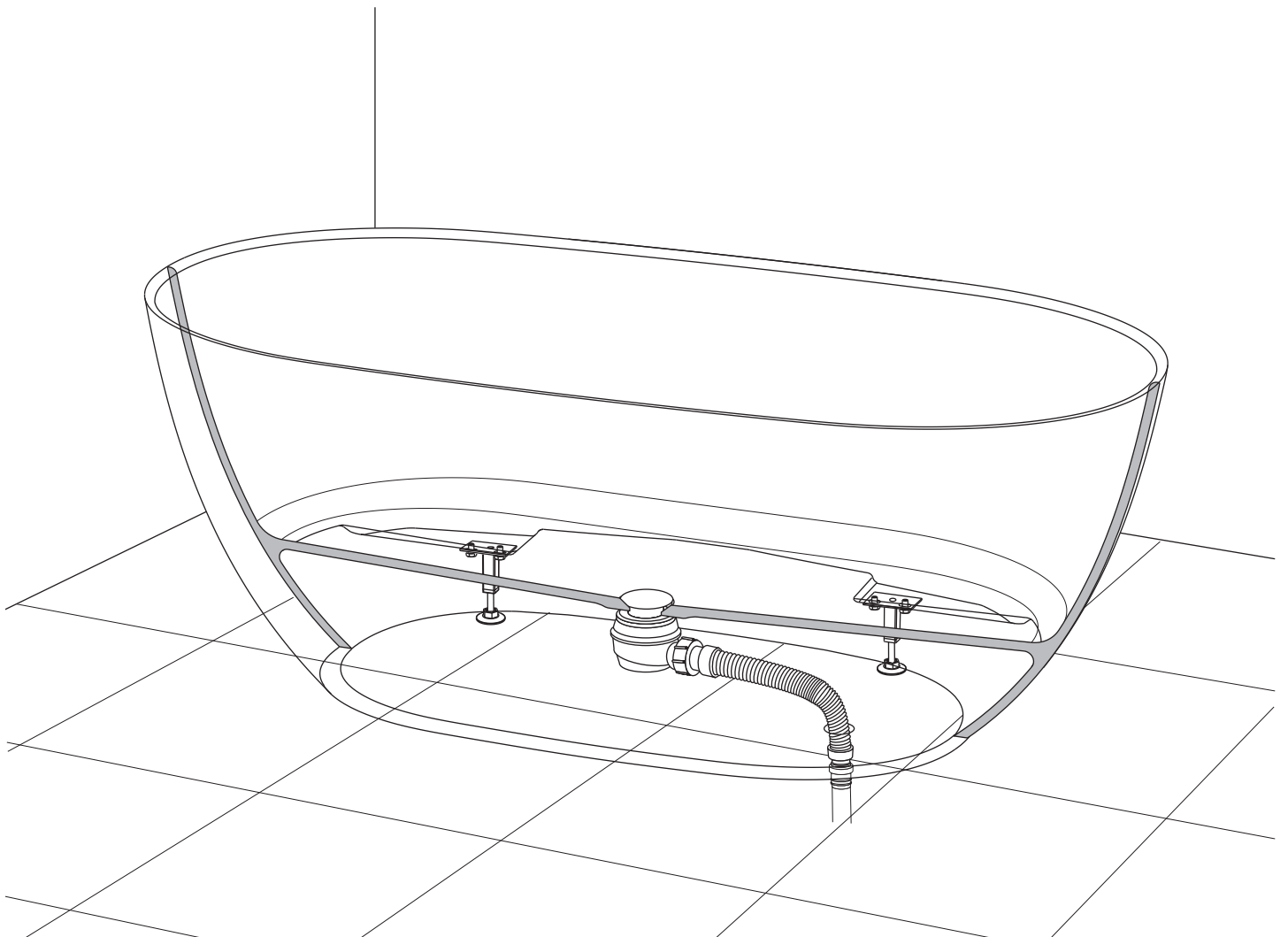
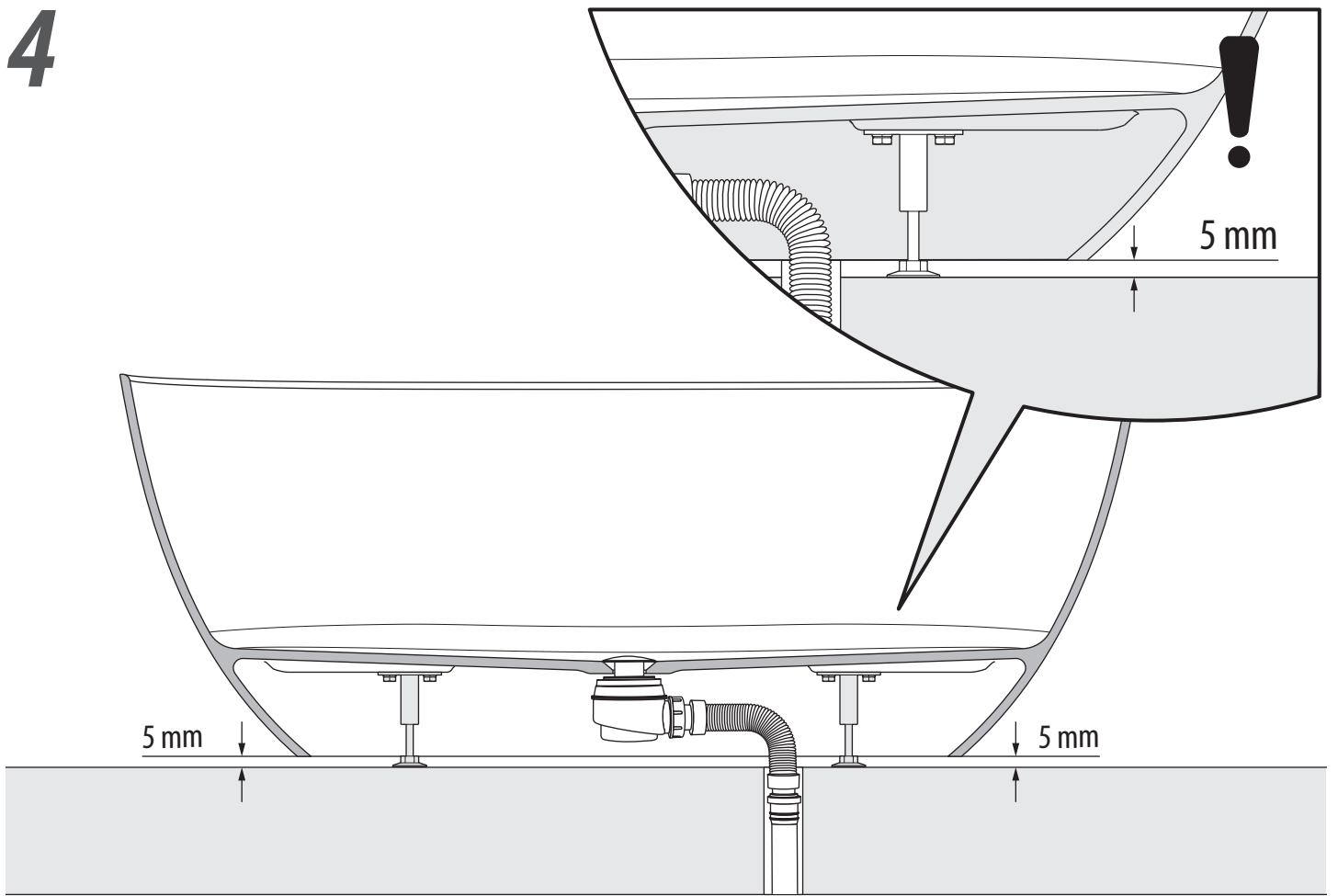
2



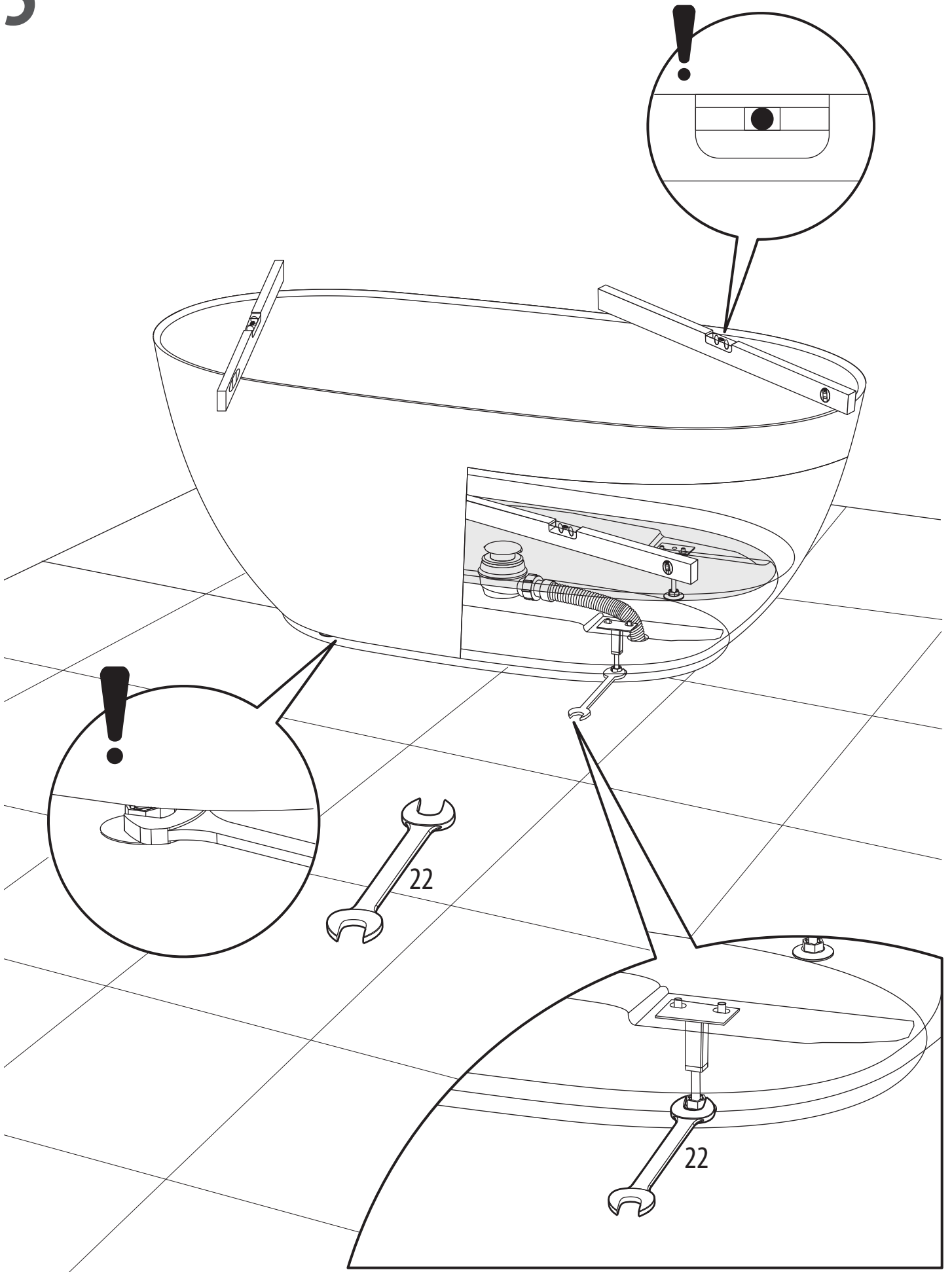
3



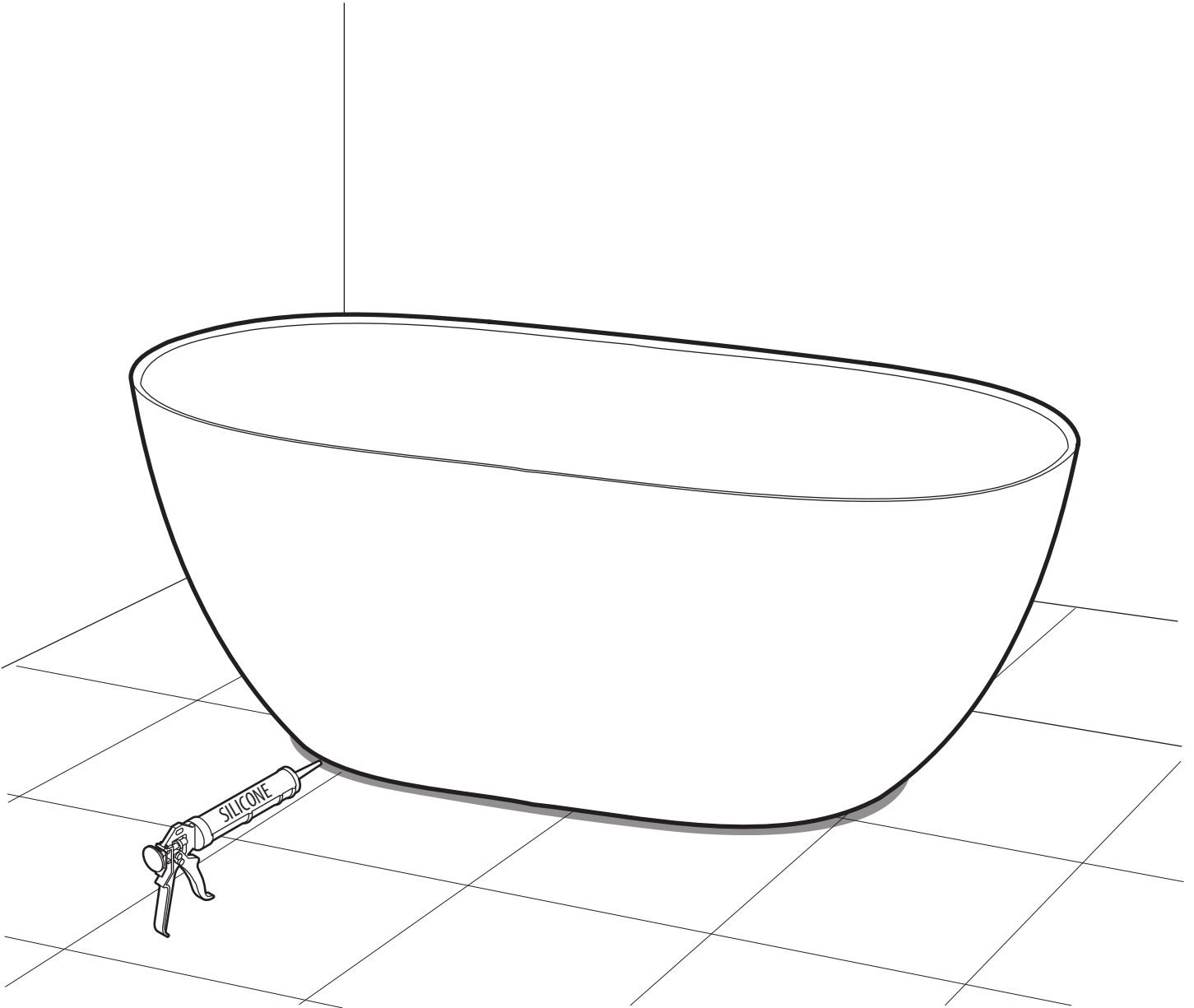
4



5



6



MAINTENANCE AND CLEANING

The surface of all our products is among the highest quality surfaces available, made of Mineral Composite. With normal use, the surface will retain its beauty with only a minimal amount of care.

ABOUT THE MINERAL COMPOSITE

Every Mineral Composite product has a minimum dolomite content of 75%. It's external surface is covered with nanocoat.

The material fully utilises the properties of dolomite stone, while being reinforced with a flexible resin binder to ensure resistance under load, damage from impact and the effects of high and low temperatures.

Products made from Mineral Composite maintain an optimal temperature for a long time. They are always warm to the touch and provide unprecedented comfort in the bathroom.

Due to the inherent strength of the nanocoat surface products are always pleasant to the touch and have a smooth finish. Mineral Composite's insusceptibility to bacterial growth, absorption of water and chemical substances, ensure a long lasting quality and ease of care.

For standard cleaning, glossy and matt finishes, we recommend using widely available non-abrasive cleaning products. The matt finish may occasionally require a mildly abrasive product.

NOTE:

TO MAINTAIN THE BEAUTY OF THE PRODUCT SURFACE AND AVOID UNWANTED STAINS (HAIR DYE, INK, LIPSTICK AND OTHER COLOURING MATTER) WE STRONGLY RECCOMEND THE IMMEDIATE REMOVAL OF DIRT. THE TEMPERATURE OF THE WATER SHOULD NEVER EXCEED 55°C FOR A BATH.

AVOID ANY BATH CLEANING PRODUCTS THAT CONTAIN NATURAL OR ARTIFICIAL DYES, TEST PRODUCT ON AN INCONSPICUOUS AREA BEFORE USING.

IMPROPER USE MAY DAMAGE PRODUCTS AND INVALIDATE THE WARRANTY.

RECOMMENDATION FOR GLOSS FINISHES

1. For regular cleaning use of universal cleaning agents with nonabrasive properties, or any mild dish soap and water or product specifically made for gloss surfaces.
2. After each use the inner surface must be rinsed with water and cleaned with a cotton cloth.
3. In order to maintain the product aesthetics we recommend using natural polishing wax, for example, based on beeswax, once per month.
4. Stronger dirt (grease, mildew, oil, paint or ink stains) must be treated with warm water and gentle cleaning agents or a soap solution with

water.

5. Never use any abrasive cleaners. If any product feels gritty when rubbed between your fingers then it is not safe to use on your gloss product.
6. Small scratches can be removed by using a polishing paste.
7. Scratches on the surface may be treated with abrasive paper soaked in water. First try a 1500 grit paper, then if needed try a 3000 grit paper. Afterwards, the surface may be polished with a fine grained polishing paste (for painted surface).
8. Limescale may be treated with a solution of water and vinegar.

RECOMMENDATION FOR MATT FINISH

1. For regular cleaning use a universal cleaning agent with nonabrasive properties, or any mild dish soap and water.
2. After each use the inner surface must be rinsed with water and cleaned with a cotton cloth.
3. For more stubborn stains (grease, mildew, oil, paint or ink stains), use a mild abrasive cleaner. It may take a little more scrubbing to actually remove marks.

NOTE: PLEASE BE CAREFUL WITH ALL PRODUCTS CONTAINING ABRASIVES.

4. In order to maintain the aesthetics of a product it is recommended to use skin care oil once per month.
5. Stronger dirt must be treated with warm water, with gentle cleaning agents or a soap solution with water.
6. Scratches on the surface may be treated with a rough sponge and then maintained with oil. Limescale may be treated with a solution of water and vinegar.

SCRATCHED OR DAMAGED SURFACES

To repair scratched or damaged surfaces please see point 7 or use our dedicated REPAIR KIT.

CERTIFICATE OF WARRANTY

All products purchased by the consumer, as defined by art. 3 of the Consumer Code (Legislative Decree No. 206 of 6 September 2005 and subsequent amendments), are covered by the seller's legal guarantee pursuant to arts. 128 and subsequent amendments of the Consumer Code. In the event product non-compliance, the consumer should contact their dealer within the terms of the law.

EXCEPTIONS AND RESTRICTIONS

When the product is not used in accordance with the relevant user instructions and the use outlined in the installation instructions and when the suggestions and warnings included therein are not observed. When the product has been modified or dismantled, either partially or totally, or used without due care and has consequently suffered damage attributable to the user, the individual or to tools used without due

authorisation from "NOVELLINI". This warranty does not cover damage resulting from disasters such as fire or natural disasters, including floods, earthquakes, etc.

DISPOSING OF THE WHIRPOOL BATH

For the disposal of the product or its parts, follow the local regulations on matters of waste disposal. For Italy, Legislative Decree n. 152 of April 3, 2006 will hold, and for the other EU countries, Directive 2008/98/EC.



SEPARATE COLLECTION - PACKAGING - CHECK THE PROVISIONS OF YOUR MUNICIPALITY (COUNTRY).

EC DECLARATION OF CONFORMITY

The manufacturer Novellini S.p.a. Via Mantova, 1023 - 46030 Romanore di Borgo Virgilio, Mantova - Italy declares under its own responsibility that the following products: "bathtubs" comply with the European standard EN14516.



Novellini S.p.a. Romanore di Borgo Virgilio (MN) 24
EN14516 – CL1

Cleanability

Durability of cleanability

Bathtub for domestic use and personal hygiene

Pass

Pass

In the case of the version without overflow, check compliance with current regulations.

Romanore di Borgo Virgilio, li 10.01.2024

Novellini S.p.a.
Marco Novellini
Amministratore delegato



199653

NOVELLINI S.p.A.

Via Mantova, 1023 - 46030 Romanore di Borgo Virgilio (Mn)

Tel. +39 0376 6421 - Fax +39 0376 642250 - e-mail: novellini@novellini.it

www.novellini.com

60865IST (01 2024)