



This symbol on the product or on its packaging indicates that it should be treated as household waste. In fact, it must be handed over to a recognised collection point for the recycling of electrical and electronic equipment. For more detailed information about the recycling of this product, please contact your local city technical office or the shop where you purchased the product.

# Sanaura



## ALABASTRO GRANADA

Pendant Light | 76cm

CE

---

# Sanaura

[WWW.SANIPEXGROUP.COM](http://WWW.SANIPEXGROUP.COM)

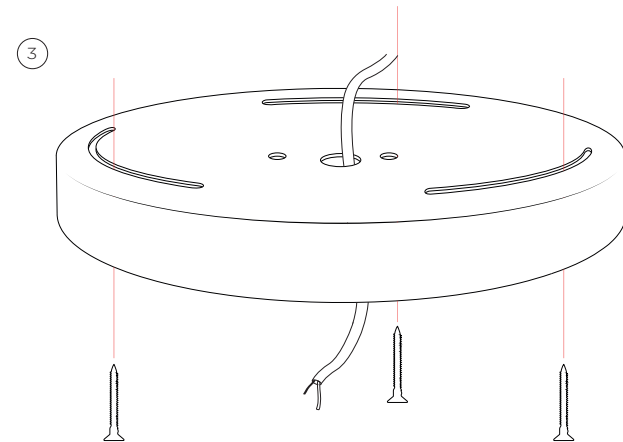
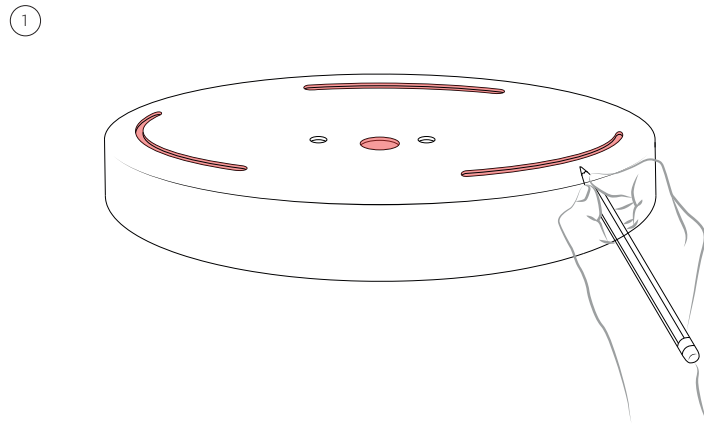
---

[WWW.SANIPEXGROUP.COM](http://WWW.SANIPEXGROUP.COM)

INSTRUCTIONS

## ASSEMBLY DIAGRAM

1. Mark the canopy holes on the roof (the areas marked in red).
2. Drill holes in the marks previously made on the ceiling and fit the plastic plugs.
3. Pass the mains power cable through the centre hole of the base plate and fix it to the ceiling using the appropriate plugs and screws.
4. Insert the current-carrying wires (marked with a positive or negative marking) through the distance adjusters" located on the underside of the canopy. The wires must be positioned so that the rings overlap. On the opposite side of the canopy.
5. Connect the cables to the terminal strips, located on the base of the unit.
6. Fit the base of the luminaire to the base plate by means of the screw plugs.
7. Measure the distance between each of the cables to mark the exact point where each of the holes will be drilled to fit the screws that will regulate the height of the rest of the cables that are still to be fitted. For the placement of the screws you will have to place a plastic plug in each of the holes made. Once the screws are in place, we can proceed to pass the rest of the cables that will support the weight and allow us to regulate the height at which each of the rings will be suspended.



## ALABASTRO GRANADA NATURAL GELSA ALABASTER

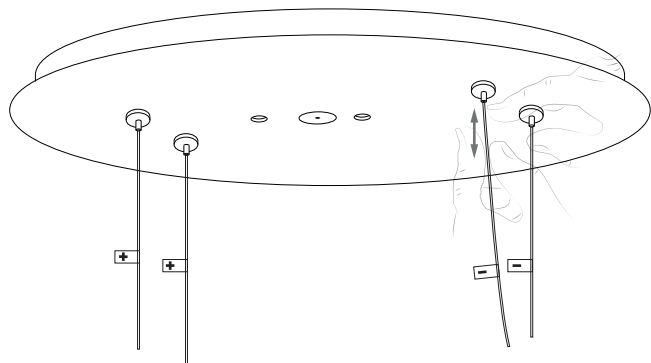
Each piece is unique and unrepeatable  
Cover photo not contractual

## WARNING

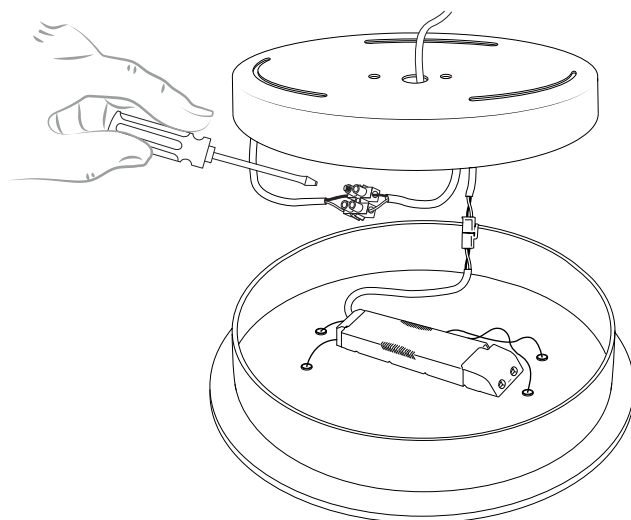
Disconnect from the mains before carrying out any manipulation.  
We recommend that the luminaires are installed by a professional installer.

The luminaire should only be cleaned with a damp cloth,  
without solvents or alcohols.

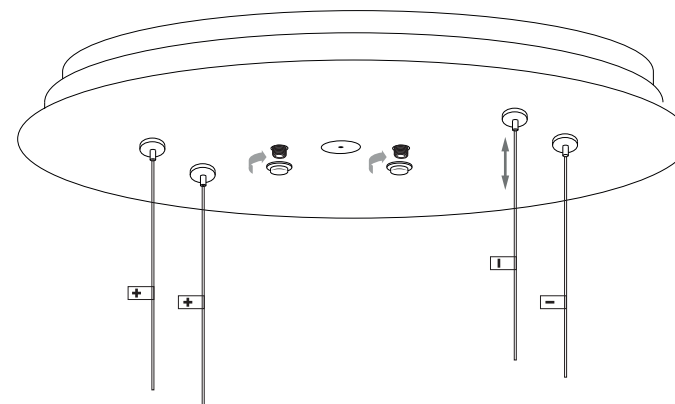
4



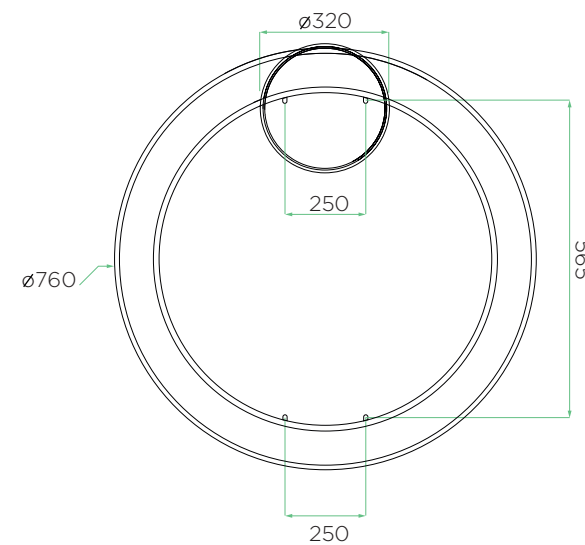
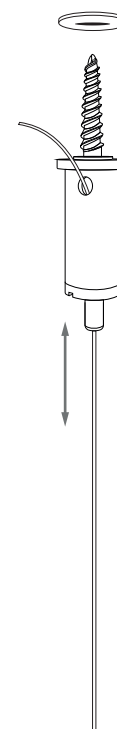
5



6



7



## TECHNICAL DATA

Luminaire for indoor use  
 Power factor 1  
 LED 30W. 230V.  
 3000K included.  
 Without electric cable