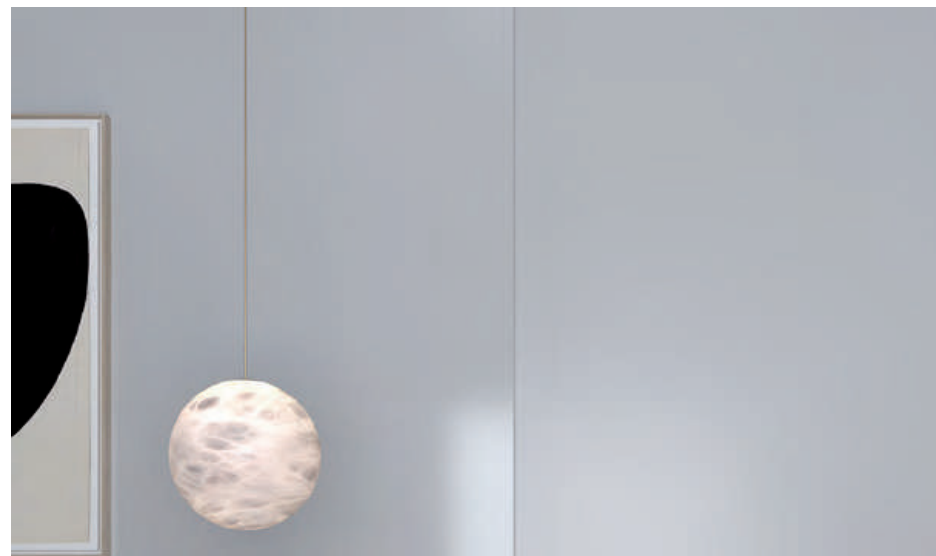




This symbol on the product or on its packaging indicates that it should be treated as household waste. In fact, it must be handed over to a recognised collection point for the recycling of electrical and electronic equipment. For more detailed information about the recycling of this product, please contact your local city technical office or the shop where you purchased the product.

# Sanaura



**ALABASTRO LUNA**

Pendant Light

CE

---

# Sanaura

[WWW.SANIPEXGROUP.COM](http://WWW.SANIPEXGROUP.COM)

---

[WWW.SANIPEXGROUP.COM](http://WWW.SANIPEXGROUP.COM)

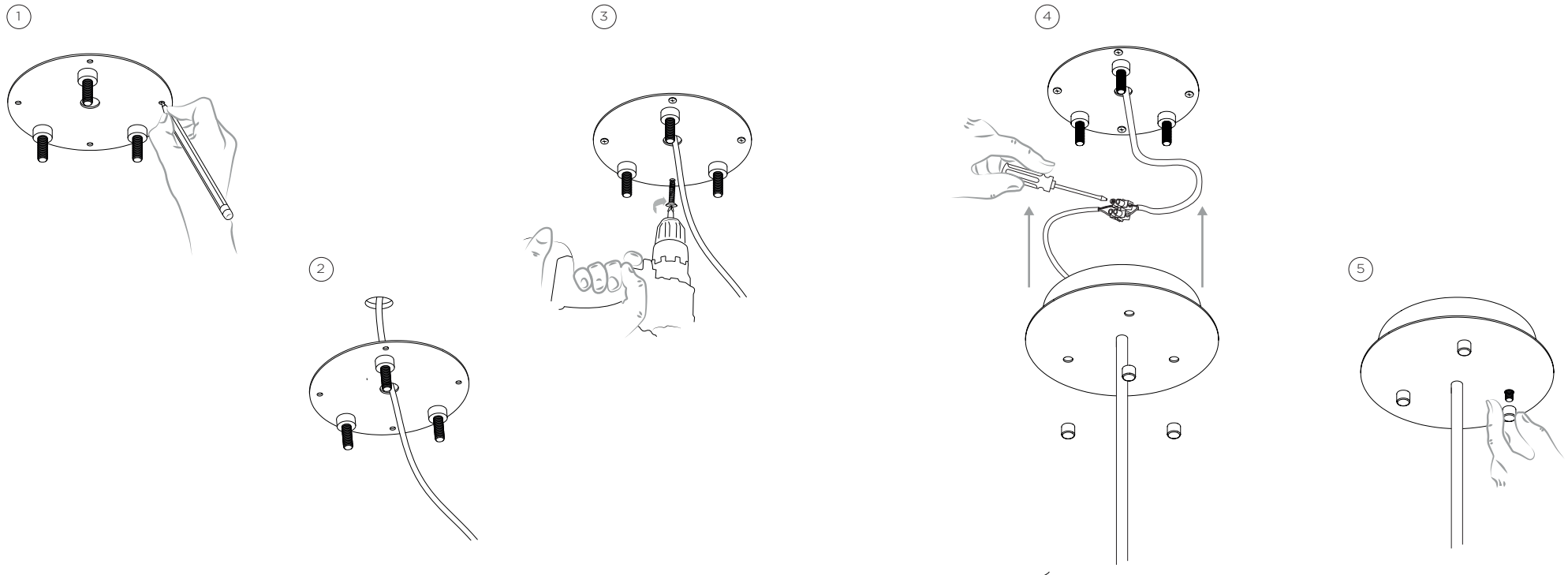
INSTRUCTIONS

---

## ASSEMBLY DIAGRAM

Sanaura

1. Mark the disc base on the ceiling and drill the holes.
2. Pass the power cable through the center hole of the base plate.
3. Secure the ceiling mount disc to the ceiling using suitable anchors and screws.
4. Connect the cables to the terminal blocks.
5. Secure the base of the luminaire to the base disc using the cylindrical plugs.



### ALABASTRO LUNA

NATURAL GELSA ALABASTER

Each piece is unique and unrepeatabe

Cover photo not contractual

### TECHNICAL DATA

Luminaire for indoor use

Power factor 1

Power: LED lamp G9

CCT: 3000K

Included double insulated electric cable,  
without grounding

### WARNING

Disconnect the power supply before performing any manipulation.

We recommend that the installation of the luminaires be carried out by a professional installer.

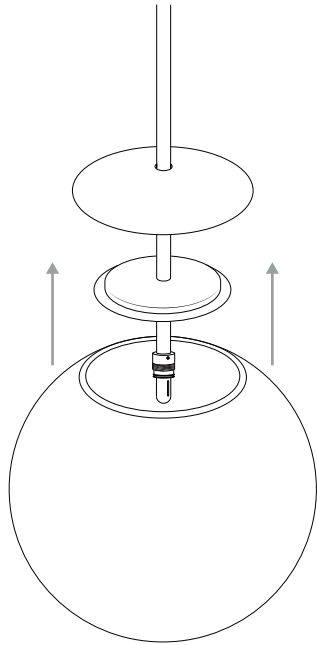
The luminaire should be cleaned only with a damp cloth, without solvents or alcohols

## ASSEMBLY DIAGRAM

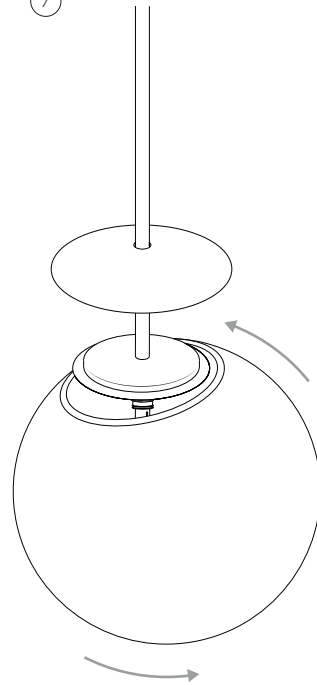
- Lift the metal cover by the stem.
- Turn the alabaster sphere until it clicks into place inside the white support disc.
- Place the metal cover over the sphere, covering the top.

Sanaura

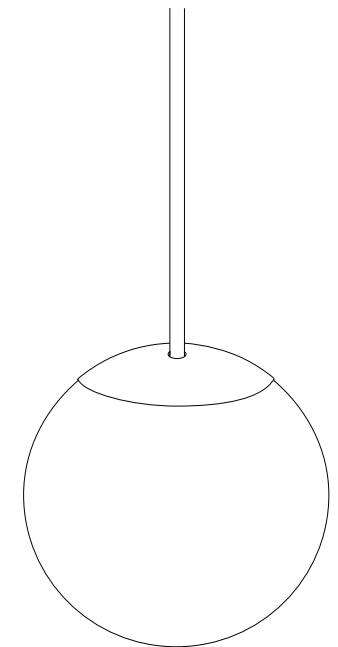
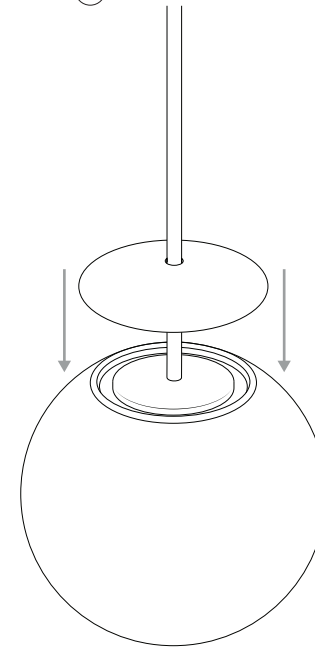
⑥



⑦



⑧



---

## TECHNICAL DATA

Luminaire for indoor use

Power factor 1

Power: LED lamp G9

CCT: 3000K

Included double insulated electric cable,  
without grounding