



This symbol on the product or on its packaging indicates that it should be treated as household waste. In fact, it must be handed over to a recognised collection point for the recycling of electrical and electronic equipment. For more detailed information about the recycling of this product, please contact your local city technical office or the shop where you purchased the product.

Sanaura



CARLYLE

Wall Light

CE

Sanaura

WWW.SANIPEXGROUP.COM

WWW.SANIPEXGROUP.COM

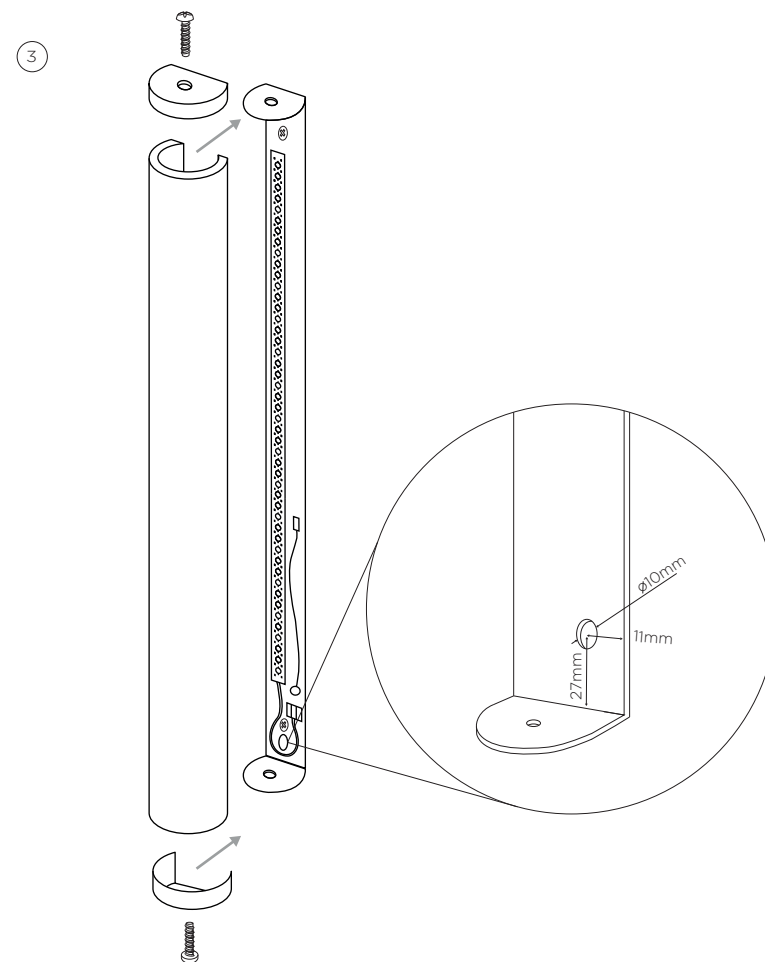
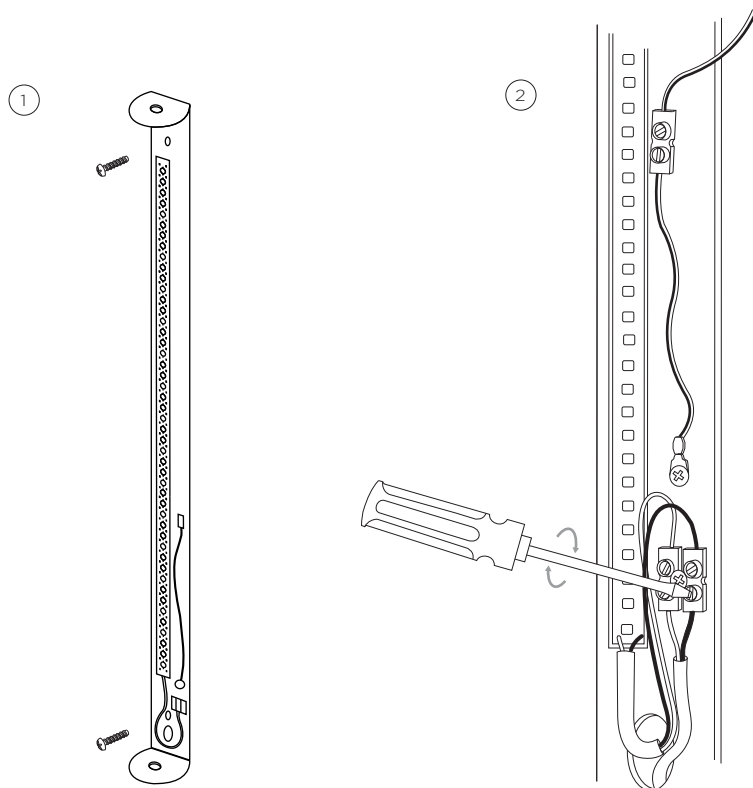
INSTRUCTIONS

ASSEMBLY DIAGRAM

1. Pass the mains power cable through the hole in the support plate and fasten it to the wall and fix to the wall using the appropriate plugs and screws.
2. Connect the cables to the terminal strip.

INSTALLATION OF THE DIFFUSER SCREEN

3. Fit the alabaster screen on the bracket and fit the two metal covers the two metal covers with the screws.



CARLYLE NATURAL GELSA ALABASTER

Each piece is unique and unrepeatabe
Cover photo not contractual

TECHNICAL DATA

Luminaire for indoor use
Power factor 1
Linear LED tube 8.5W. 230V. 3000K
Electrical cable with earth connection

WARNING

Disconnect from the mains before carrying out any manipulation.
We recommend that the luminaires are installed by a professional installer.

The luminaire should only be cleaned with a damp cloth,
without solvents or alcohols.