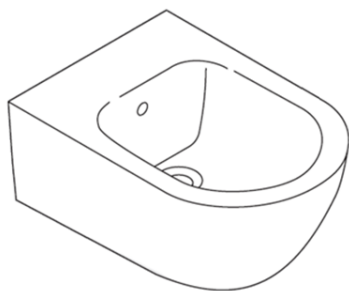


# BAGNODESIGN

EXPERTLY CRAFTED BATHROOMS

---

## General Installation Guide



## WALL-MOUNTED BIDET

Bottom fixing – side fixing – bolt and cap fixing

A member of  SANIPEXGROUP

Please leave these instructions with the customer

## IMPORTANT PLEASE READ

Remove all packaging and check the product for missing parts or damage before starting installation.

Any alterations made to this product and fittings may infringe water regulations and invalidate the guarantee.

The Installation must comply with all Local/National Water Supply Authority Regulations/Byelaws and Building and Plumbing Regulations.

We strongly recommend that your product be installed by a reputable qualified trade's person.

### **General Installation:**

**Please note this product can require 2 or more persons to lift and manoeuvre into position.**

The installation of the Wall Hung bidet requires previous installation of Support frame to ensure correct distances and provisions are left for bidet Installation.

To the installer: Please read and follow this instruction carefully, as the guarantee is only valid if the product is installed as directed.

Don't rush, read the instructions first and run through them before you begin. Keep fittings together to avoid loss. Do not over tighten screws or bolts.

If the unit is covered with polyethylene protective film, do not remove until installation is complete to grant maximum protection. However, remove film where any two surfaces will be in permanent contact.

Verify that all dimensions on the plan are the same as the ones of the product.

Please leave this installation manual with the end user once the product has been installed.

### **Product Aftercare:**

We recommend cleaning with a soft damp cloth and mild soap solution.

Do not use cream cleaners or cleaners containing bleach.

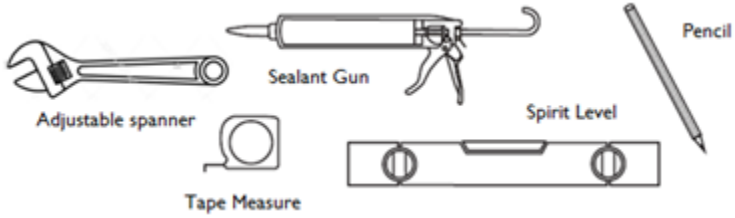
Do not scrub or scour.

Do not use abrasive cleaning agents.

Do not use solvent based cleaners.

*This installation guide is for reference only. In case there is a discrepancy between that of the instructions and that of the actual product, the latter should be taken as standard. The rights of modification are reserved.*

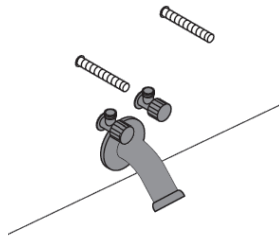
## TOOLS REQUIRED (Not supplied)



Remove the bidet from the box and carefully remove the protective packaging.

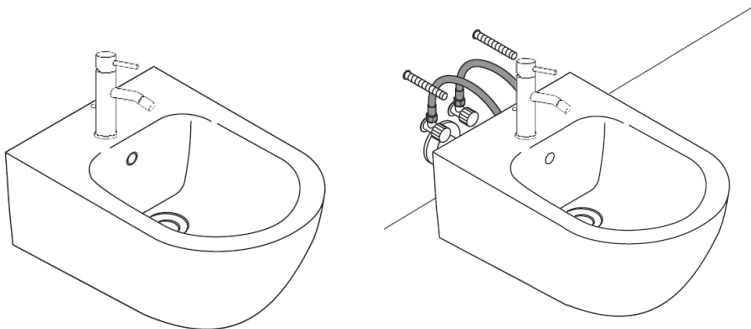
*NOTE: Before installing the bidet, place a protective sheet in the installation area to prevent any possible damage.*

## MIXER AND WATER SUPPLY INSTALLATION



Ensure that the plumbing provisions projecting from the wall are suitable for the bidet installation.

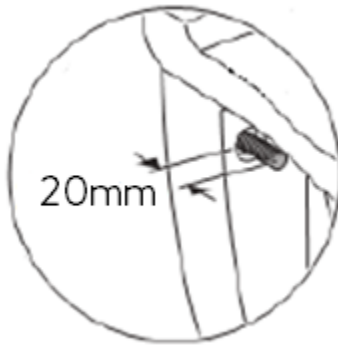
*NOTE: Support framed bidet installations will have pre-determined positions for connection*



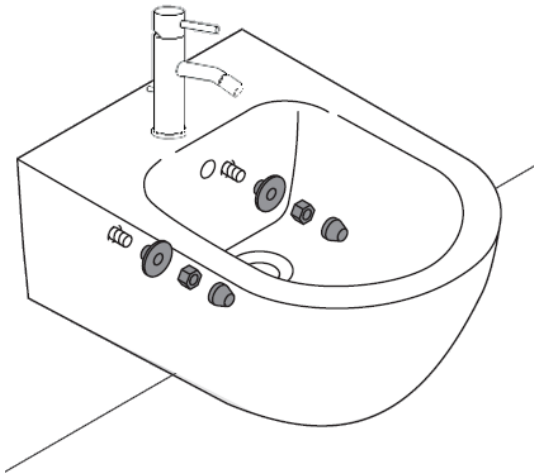
Install the desired bidet mixer and waste outlet to the bidet

Place the assembled bidet in close proximity to the wall support brackets and connect the flexible tubes from the bidet mixer to the Hot & Cold water supplies.

## BOLT & CAP FIXING (AQE-UNI111-KIT)

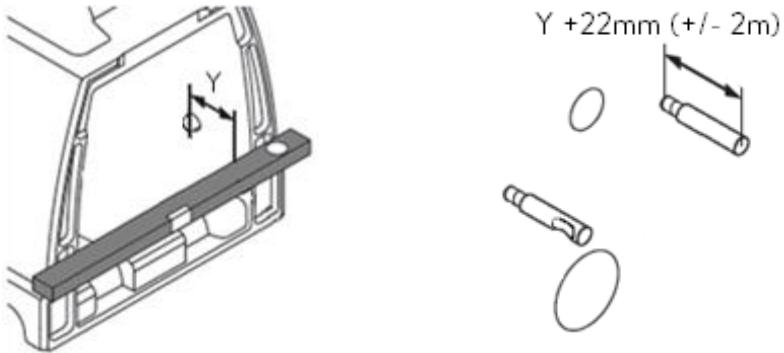


Place the WC onto the fixing bolts, and leave 20mm of thread showing through the ceramic, then insert the flush and the waste pipe.

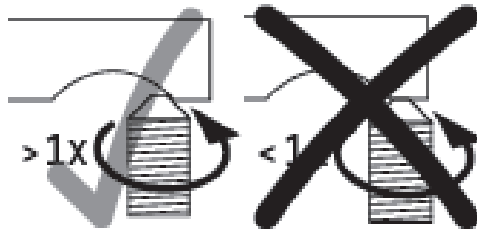


Ensure the bidet is level, then Install the washer and nut and tighten, to complete place the cover cap the over the top of the bolt.

## SIDE FIXING (BFK-UNI5-KIT or BFK-UN14-KIT)

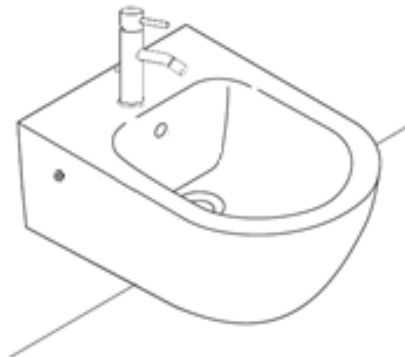


Place a level along the back-side of the bidet, take the measurement to the center of the fixing hole (Y) add 22mm (+/-2mm), Thread the fixing bolt into the desired position and have the grooves pointing outwards, then insert the flush and the waste pipe. Then install the bidet onto the fixing bolts

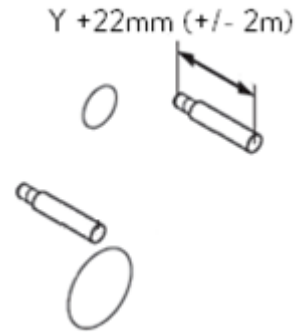
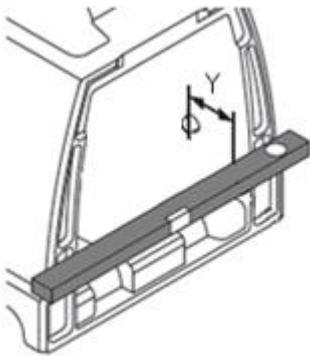


Ensure the bidet is level.

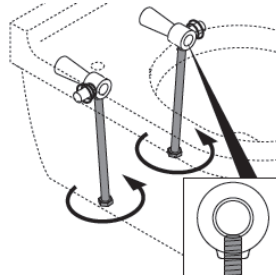
When tightening the bolts from the side make sure that the tapered screw is inserting correctly into the groove as above. Tighten each side evenly.



## BOTTOM FIXING (BFK-UNI10-KIT)



Place a level along the back-side of the bidet, take the measurement to the center of the fixing hole (Y) add 22mm (+/-2mm), Thread the fixing bolt into the desired position and have the grooves pointing downward, then insert the flush and the waste pipe.



Click the extension rods into the fixing kits, and install the Bidet onto the fixing bolts.

Ensure the bidet is level.

Tighten bolts from underneath using extension tool supplied.



When tightening the bolts from the bottom make sure that the tapered screw is inserting correctly into the groove. Tighten each side evenly.

## ALL BIDET'S



Connect the waste trap, if required place a small bead of silicon around the perimeter of the Bidet.

***INSTALLATION COMPLETE!!!***

# BAGNODESIGN

EXPERTLY CRAFTED BATHROOMS

---

---

---

---

---

---

---

---

---

---

---

---

---

---

---

---

Oakwell Way, Birstall  
Leeds, England WF9 17LU

A member of  SANIPEXGROUP