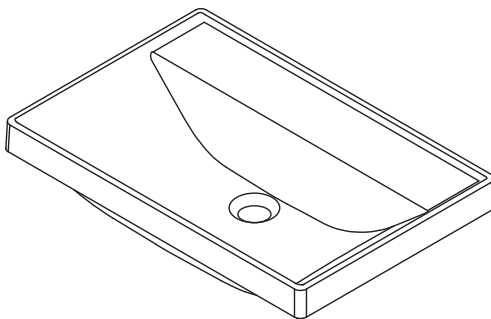


BAGNODESIGN

EXPERTLY CRAFTED BATHROOMS

Installation Guide



BDS-ZUR-701-XX

ZURICH SEMI INSET WASH BASIN 800X400X50 MM

A member of **SANIPEXGROUP**
www.sanipexgroup.com

IMPORTANT PLEASE READ

All products manufactured and supplied by BAGNODESIGN are fit for purpose as long as they are Installed, used correctly, cleaned and receive regular maintenance in accordance with these instructions..

Remove all packaging and check the product for damage or missing parts before commencing with the installation.

Any alterations made to this product and its components may infringe product certification, infringe water regulations and invalidate the guarantee. The Installation must comply with all local/national water supply authority regulations/bylaws and building and plumbing regulations, therefore we strongly recommend that your product be installed by a reputable qualified trade's person.

PRODUCT LIFECYCLE

"The product LiveCycle/e is the collective stages that a product goes through from its conception and design through to its ultimate disposal."

DISPOSAL GUIDANCE

The best way to ensure your Product has a long life is to follow the Care and Maintenance guides set by the Manufacture after purchase. This document can be found at www.sanipexgroup.com.

The life cycle of the product is *not* in correlation to the product Guarantee; the standards the products are manufactured or certified to (e.g. CE & WRAS) can exceed past the Guarantee duration. After the life cycle of the product is deemed complete by the end-user please follow the below to dispose of the items correctly...

CLEANING CARE GUIDE



For stubborn stains on light-coloured Products, you can use a solution of bleach and warm water ($\frac{3}{4}$ to $\frac{1}{4}$), leaving it to act for eight hours (we recommend that this cleaning be performed during the night). Afterwards, rinse thoroughly and dry the entire surface carefully using a microfibre cloth. If the stains remain, the operation can be repeated one or two more times.



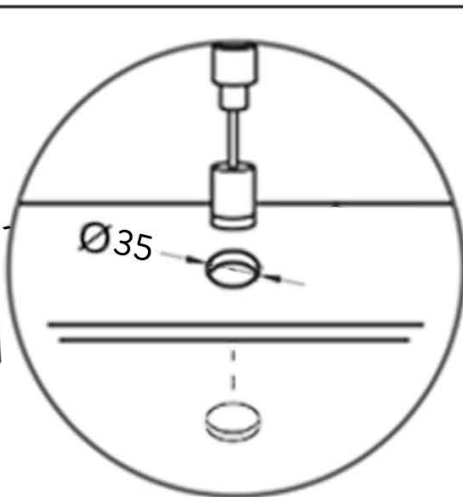
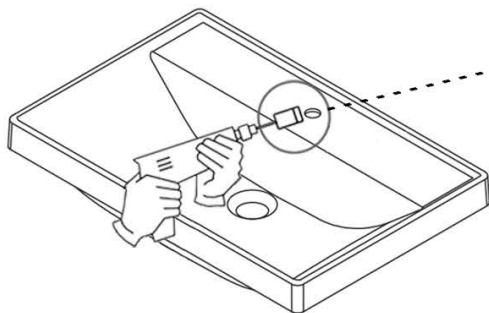
For stubborn stains on dark-coloured Products, you can remove them directly with a soft, non-abrasive sponge and standard dish detergent, using small circular movements. When finished, rinse using warm water and carefully dry the entire surface using a microfibre cloth. If the stains remain, the operation can be repeated one or two more times.



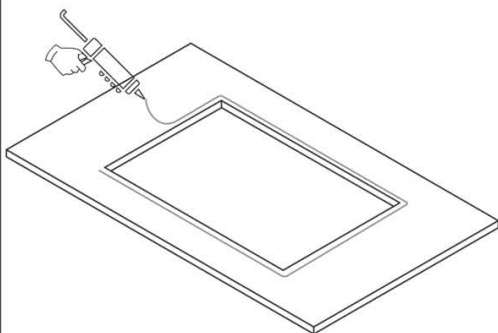
To remove limescale stains, we recommend the use of a non-corrosive descaling product diluted with warm water. Distribute the solution uniformly over the entire surface of the Product. Clean with a soft, non-abrasive sponge using small circular movements and leave the product to act for several minutes (follow the instructions and conditions for use on the product label). When finished, rinse using warm water and dry carefully using a microfibre cloth.



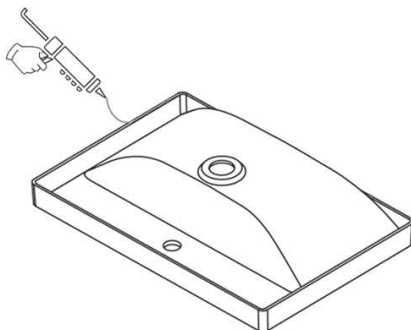
1



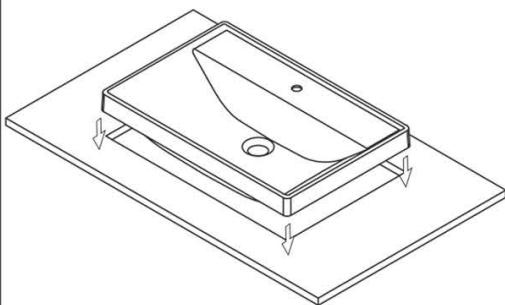
2



3



4



5

