


# RICHMOND

## INSTALLATION INSTRUCTION

PREMIUM LATCH LOCK : **RIC-CH7281F**

	Consort Architectural Hardware Ltd. Unit 3, Radial Park Solihull Parkway Birmingham Business Park B37 7WN United Kingdom	 APPROVED PRODUCT CF 8053
	BS EN 12209:2003	
	NO DANGEROUS SUBSTANCES	
CH7281F & CH7281FR	Product Classification 3,X,8,1,0,G, -,B,0,3,0	
Year of Marking:21	Classification Body Ref No:2812	

### BEFORE FITTING PLEASE NOTE:

When using templates which suit multiple lockcase types, please check which preparations are required according to the lock type being fitted - **NOT ALL THE HOLES MAY BE REQUIRED.**

### Tools required:

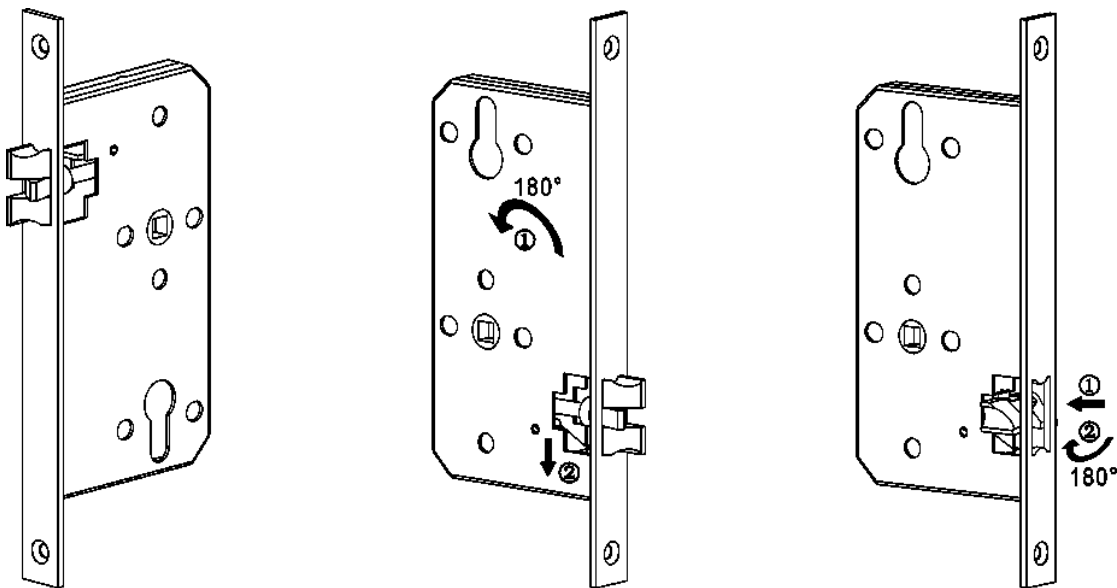
- Pencil
- Screwdriver (No.2 Pozidrive)
- Drill with 8mm & 20mm drill bits
- Chisel

### Changing the lock handing:

If required, the lock handing can be easily changed by following these simple instructions.

**THE LOCKCASE DOES NOT NEED TO BE OPENED.**

- 1.Ensure the forend cover plate is removed.
- 2.Turn the lock body upside down , the latch stopper will back into the lockcase.
- 3.Push the latch in and is free of forend , rotate clockwise 180°, then release the latch .allowing the latch outside of forend.
- 4.Turn the lock body upside down again , the latch stopper works.



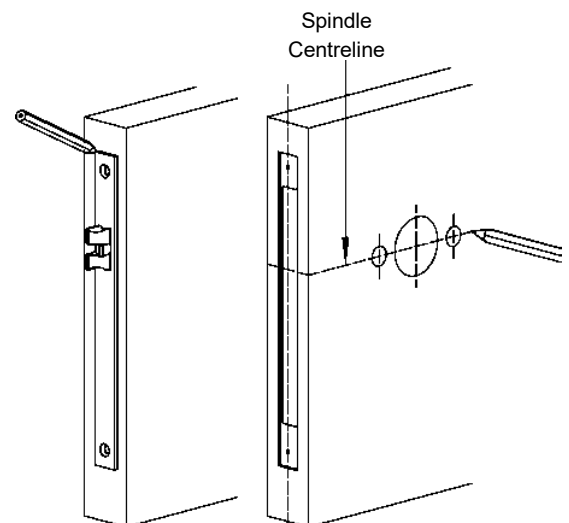
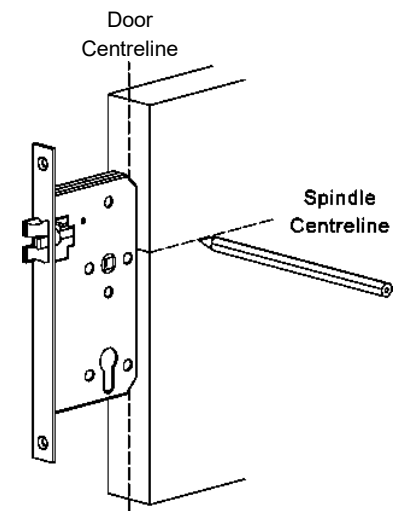
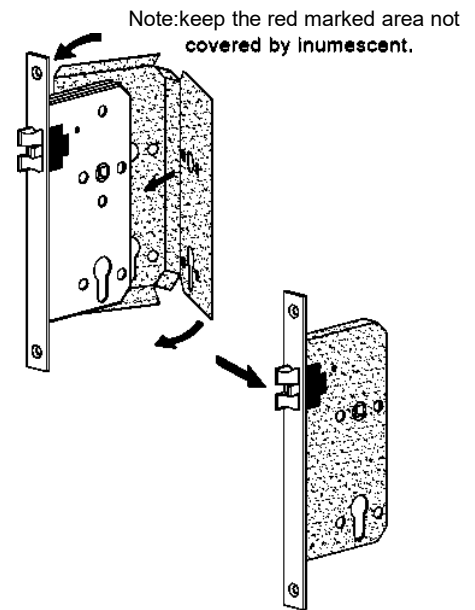
**Fire Door Installation:**

Please note that when installing to a fire rated door to EN 1634-1, the lockcase must be fitted with the appropriate thick intumescent protection corresponding to the fire ratings. Sufficient space should be allocated during door preparation to accommodate this requirement.

**Installation Instructions:**

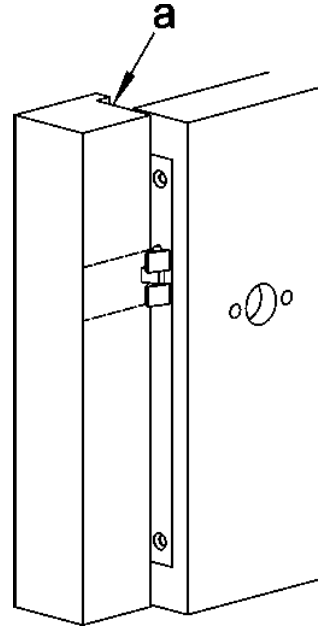
1. Mark on the door the vertical centreline and the required centreline of the spindle/lever handle on both sides of the door.
2. Carefully position the lockcase as shown aligning the centrelines and mark around the lockcase on the door edge.
3. Mortice out the door to allow the lockcase to slide in ensuring a good fit but not too tight.
4. With the lockcase inserted into the door, mark around the forend. Remove the lock and prepare a recess 3.5mm deep to allow the lock forend and its cover plate to sit flush with the door edge.
5. Place or tape the relevant template in position on the door face aligning the spindle centreline with the markings on the door. Mark the position of the spindle and cylinder and any through fixing holes required making sure to use the correct template markings for the lock being fitted. You can repeat this on the other side of the door.
6. Drill all required holes from both sides of the door through into the mortice.
7. Remove all debris from the mortice and fix the lockcase into position with the screws provided.
8. The forend cover plate can be fitted once the cylinder (if applicable) has been installed.

**CHECK THE LOCK OPERATES CORRECTLY**

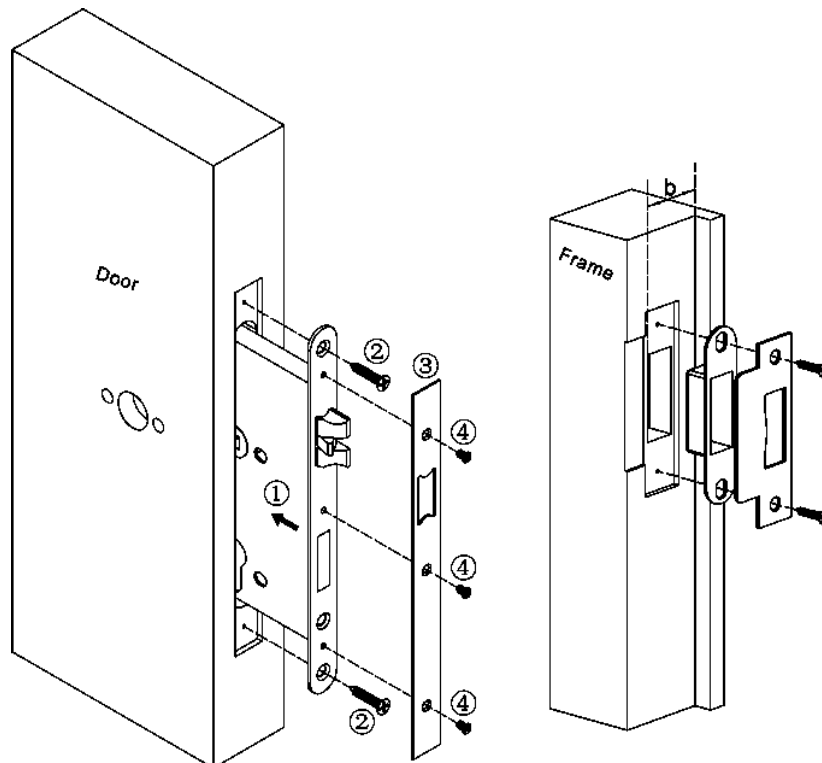
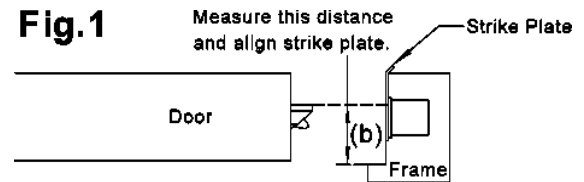


**Installation of Strike Plate:**

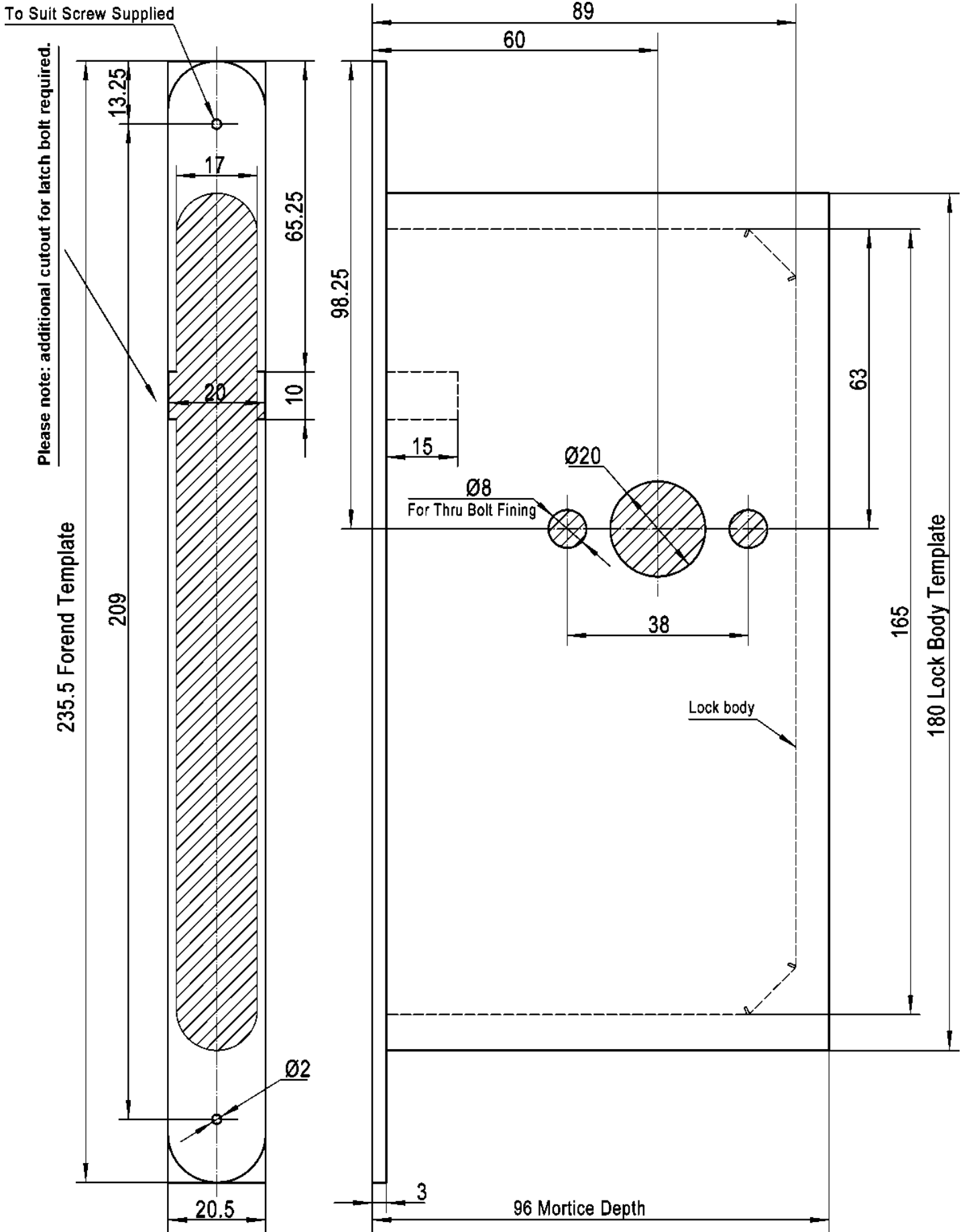
9. Close the door up to the frame and mark the position of the latch and/or bolt (depending on the lock being fitted) onto the frame. Transfer the lines around to the inside edge of the frame [a].
10. Measure the distance [b] from the closing face of the door to the edge of the latch/bolt and mark this distance onto the frame so that the latching/locking positions are accurately transferred to the frame.
11. Position the strike plate on the frame so that the markings of the latch/bolt position can be seen through the apertures on the strike plate.
12. Mortice out the frame for the latch and/or bolt and recess the frame so that the strike plate sits flush with the frame. The screw holes may need to be counterbored to allow the strike plate to lie flush.
13. Fit strike plate with the screws provided.
14. Fit furniture as required and check the operation of the lockcase.



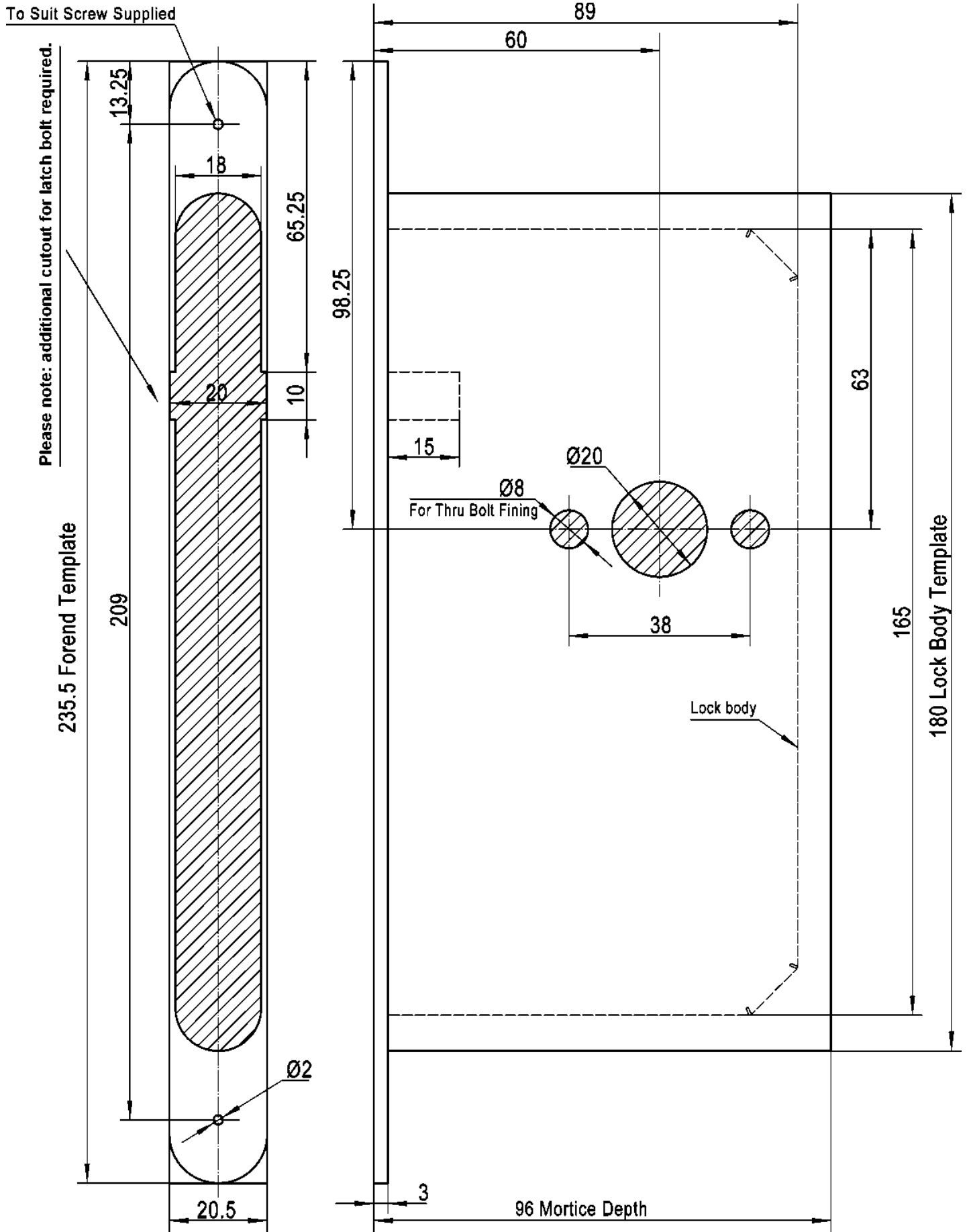
**Fig.1**



Template for cut out with no  
intumescent



Template for cut out with 1mm  
intumescent



Template for cut out with 2mm  
intumescent

