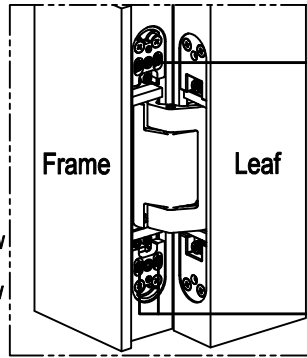
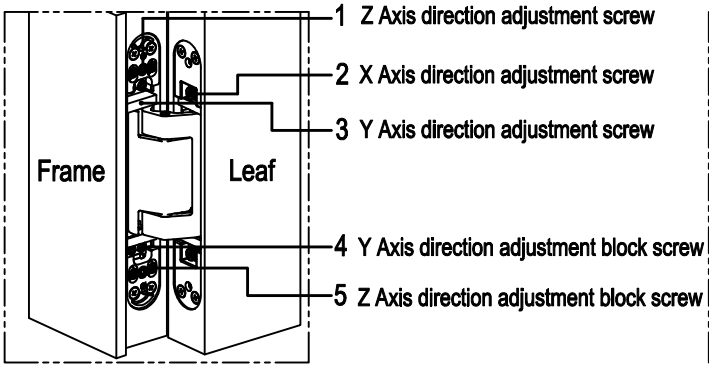


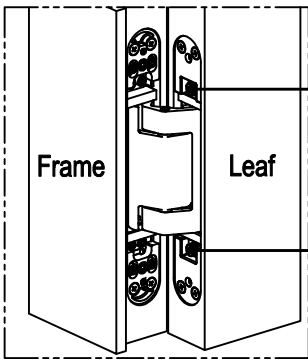
RICHMOND

RIC-CCH360 : 3D ADJUSTABLE CONCEALED HINGE INSTRUCTION MANUAL (FOR TIMBER DOOR)

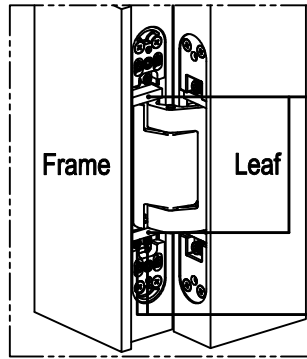
1. Three-dimensional adjustment function



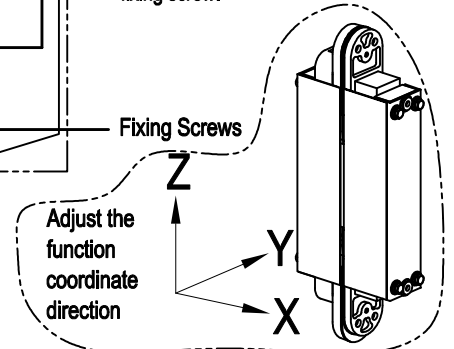
Rotate the two adjustment screws with 4mm inner hex wrench, release the z-axis direction adjustment function, adjust the distance is $\pm 3\text{mm}$, please note that the adjustment of the two screws is reversed, and the M5 fixing screw next to the adjustment screw is adjusted. After the completion of the fixed screw complete position adjustment



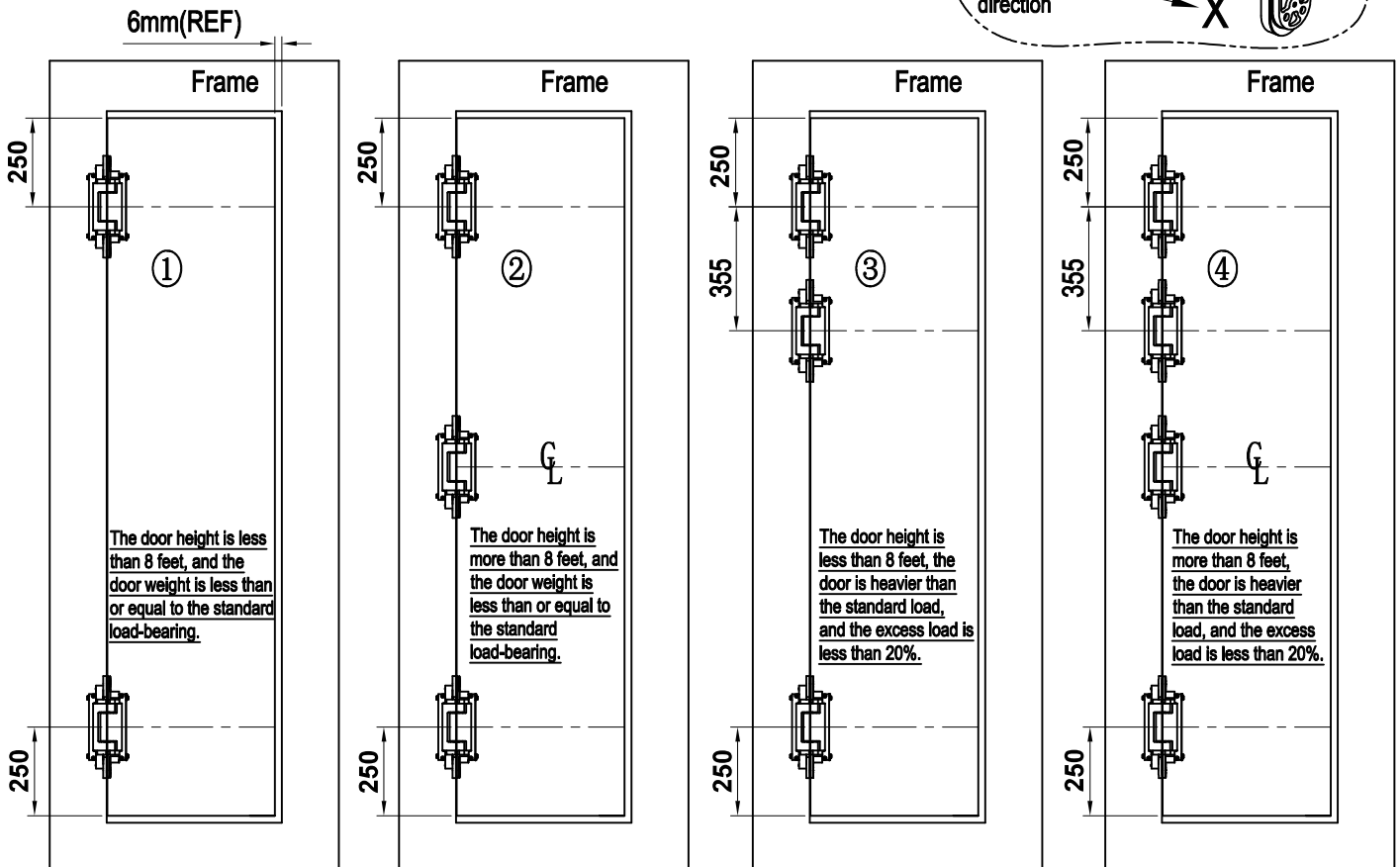
Use a 5mm hex wrench to turn the two adjusting screws to achieve the X-axis adjustment function. The adjustment distance is $\pm 3\text{mm}$. When adjusting, the two adjusting screws should be adjusted in a balanced manner.



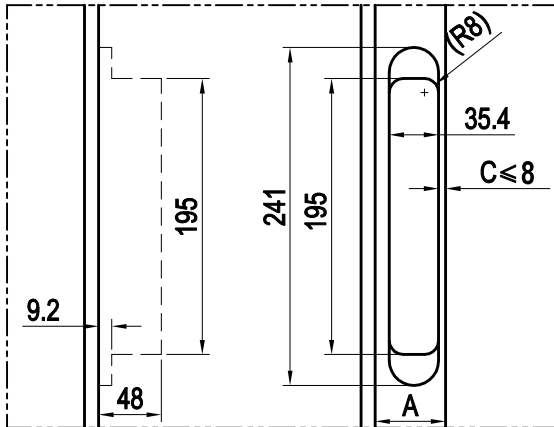
The two adjustment blocks are turned on to implement the Y-axis direction adjustment function, the adjustment distance is $\pm 1.5\text{mm}$. Before adjusting the fixed screws of the two M5 on the adjustment block, adjust the fixing screw.



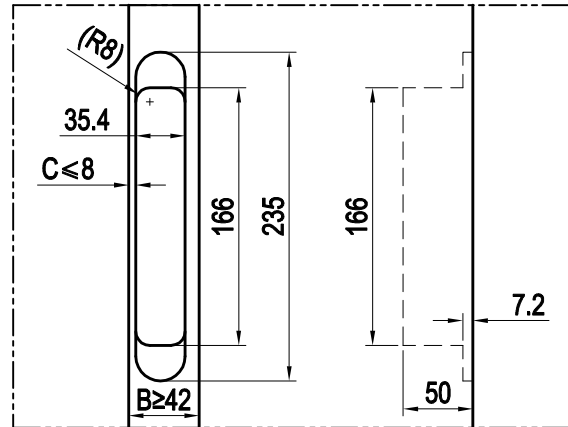
2. Installation diagram for different door heights and door weights



3. Hole opening size drawing



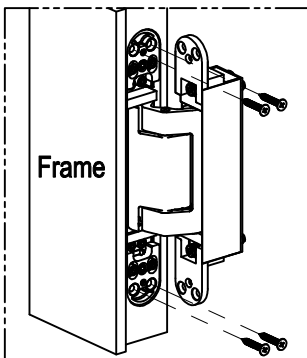
Drawing A (Door Frame)



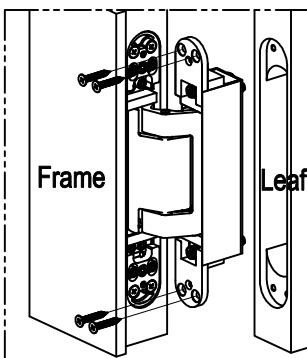
Drawing B (Door Leaf)

The installation slot size of the CONCEALED DOOR HINGE is as shown above, Figure A is a door frame, and Figure B is a door Leaf. Please pay attention to the size of the mounting slot size, not easy to expand, too deep. In the two figures, A represents the door frame width, B represents the width of DOOR Leaf, and C represents pre-opening Edge.

4. Installation steps and precautions



Install the mounting set for adjusting the X direction. As shown in the left drawing. The Screw heads cannot highlight the plane of the mounting.



Installing the mounting set of the Y and Z direction function, and adjust the door leaf with the adjustment function of the concealed door hinge As the left drawing. The screw head cannot highlight the plane of the mount.



According to the function adjustment manual, adjust the DOOR LEAF to the vertical level, if the DOOR Leaf has an error, adjust the vertical direction to the position parallel to the door frame, the adjustment is complete, install the decorative components, As the left drawing.

PLEASE NOTE!

The location of the CONCEALED DOOR HINGES is rotated to 70 to 110 degrees is the minimum distance between the door leaf and the door frame.

- ★ The thickness reserved on the side of the door frame is not more than 8mm.
- ★ The thickness reserved on the side of the door leaf is not more than 8mm.