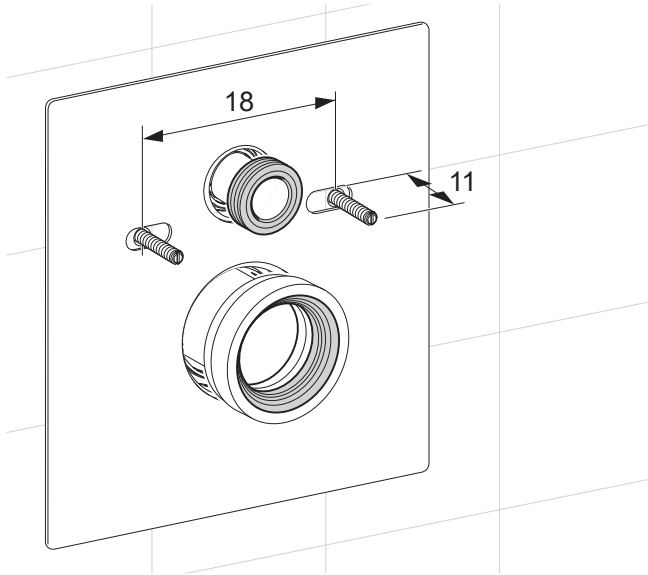
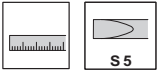


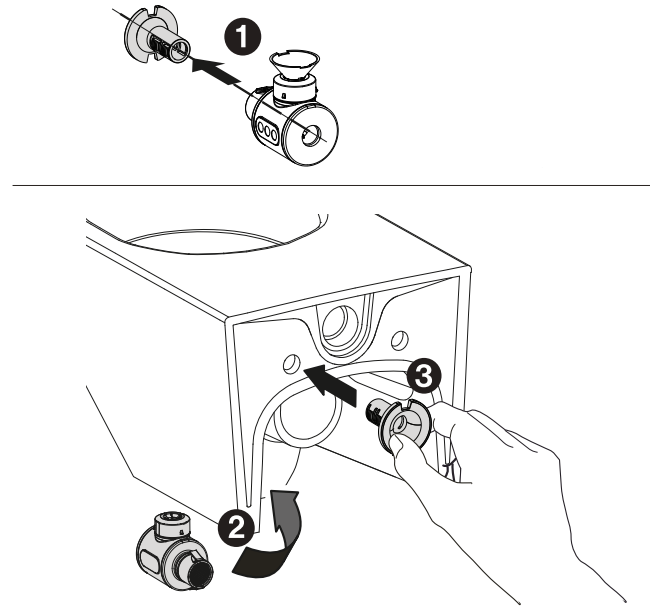


# WALL-HUNG TOILET

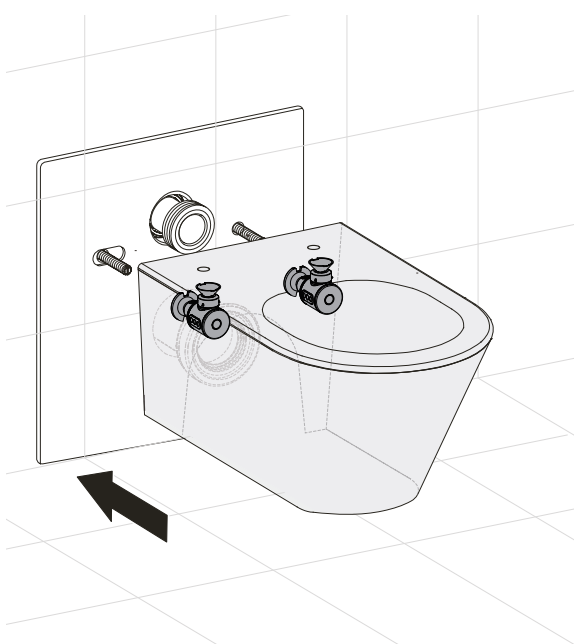
1



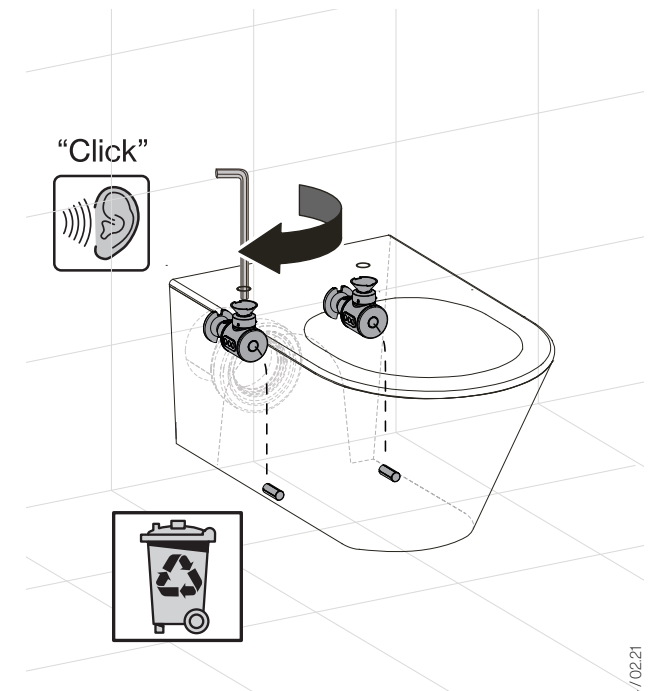
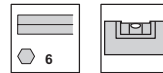
2



3



4

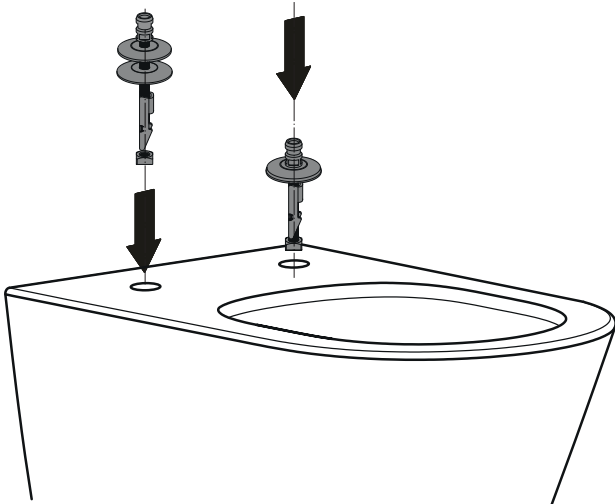


Z0012010004 / 02.21

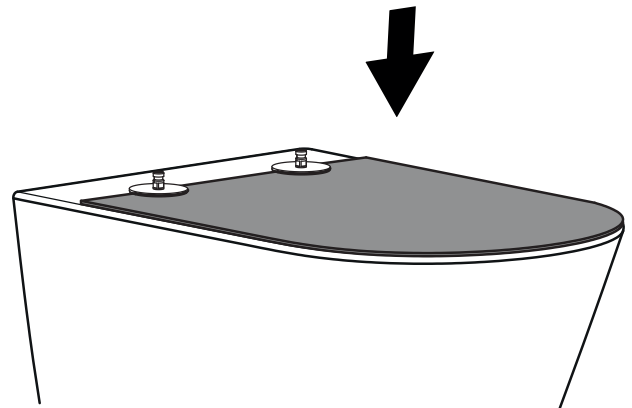


# TOILET SEAT

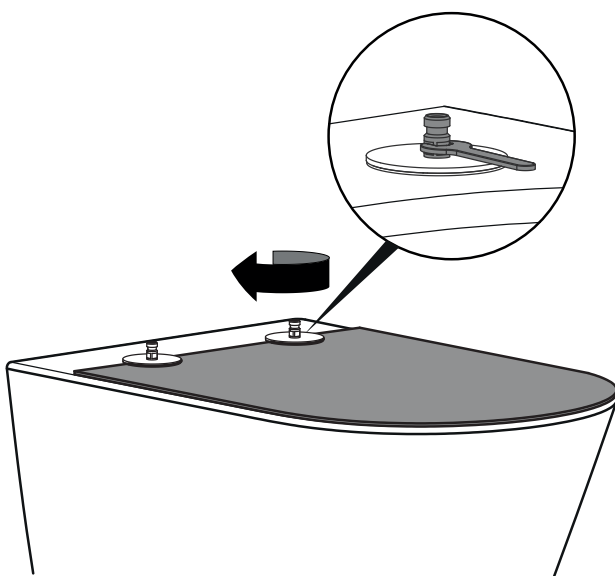
1



2



3



4

